

NOTES:-

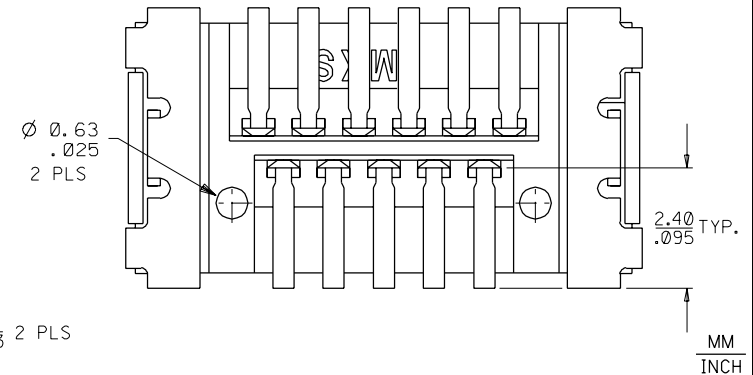
- MATERIALS : HOUSING - GLASS-FILLED LIQUID CRYSTAL POLYMER (LCP), COLOR: BEIGE, UL FLAMMABILITY RATING V-0  
 COVER - GLASS-FILLED LIQUID CRYSTAL POLYMER (LCP), COLOR: BLACK, UL FLAMMABILITY RATING V-0  
 INSERTS - COPPER ALLOY  
 TERMINALS - COPPER ALLOY
- FINISH : INSERTS - TIN LEAD ALLOY [SNPB] OVER NICKEL.  
 TERMINALS - SELECTIVE GOLD [AU] 0.76 MICRONS (30 MICRO-INCHES) MINIMUM IN THE CONTACT AREA.  
 SELECTIVE TIN LEAD ALLOY [SNPB] ON THE PC TAILS. NICKEL [NI] UNDERCOAT OVERALL.
- PRODUCT SPECIFICATION : PS - 87433 - 0001
- PART NO. LEGEND : 8 7 4 3 6 - \* \* \* 7

CIRCUIT SIZE

05 - 9 CIRCUITS	21 - 41 CIRCUITS
06 - 11 CIRCUITS	26 - 51 CIRCUITS
08 - 15 CIRCUITS	35 - 69 CIRCUITS
11 - 21 CIRCUITS	
13 - 25 CIRCUITS	
16 - 31 CIRCUITS	

POLARIZING POSTS, PICK-AND-PLACE COVER, AND PACKAGING OPTIONS :

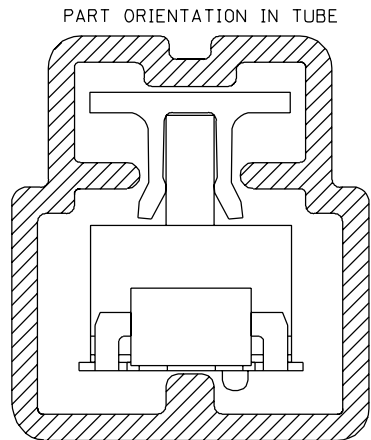
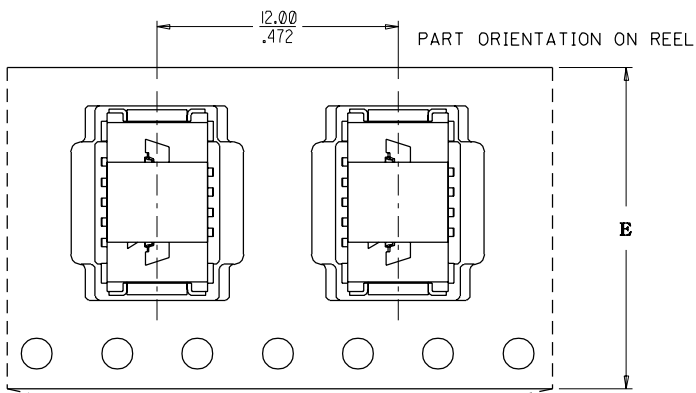
- NO POSTS, NO COVER, TUBE PACKAGING
- TWO POSTS, NO COVER, TUBE PACKAGING
- NO POSTS, WITH COVER, TUBE PACKAGING
- TWO POSTS, WITH COVER, TUBE PACKAGING
- NO POSTS, NO COVER, EMBOSSED TAPE AND REEL
- TWO POSTS, NO COVER, EMBOSSED TAPE AND REEL
- NO POSTS, WITH COVER, EMBOSSED TAPE AND REEL
- TWO POSTS, WITH COVER, EMBOSSED TAPE AND REEL



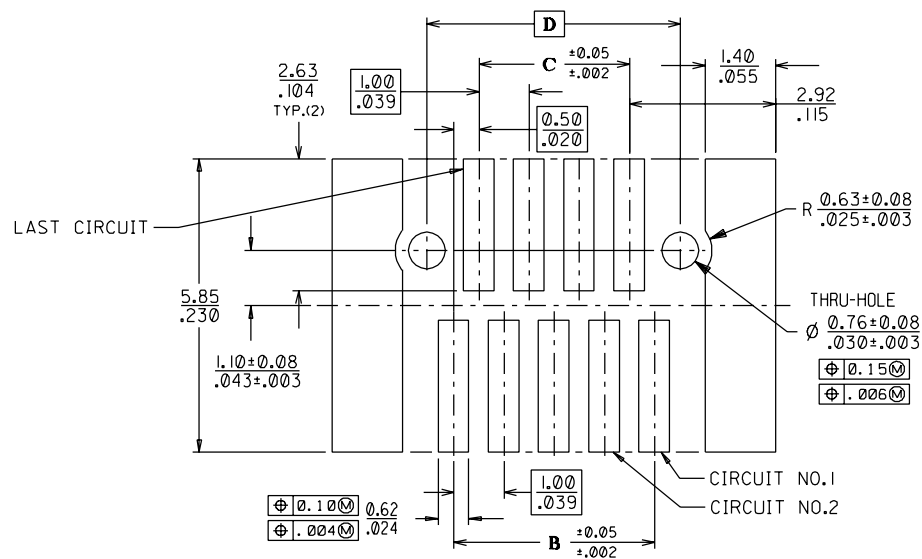
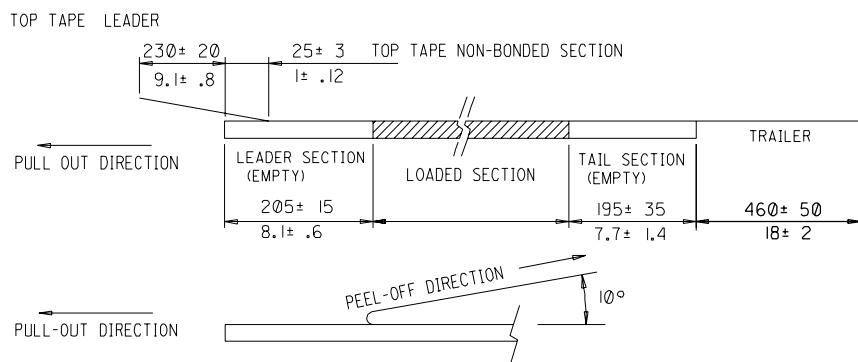
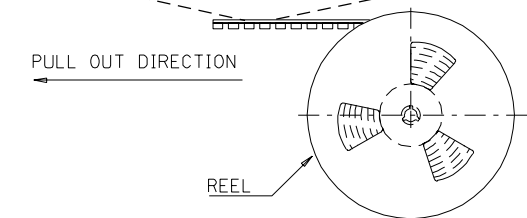
				MATERIAL : PLEASE REFER TO NOTE 1.		MOLEX SINGAPORE PTE LTD SHEET 1 OF 2	
				FINISH : PLEASE REFER TO NOTE 2.		GENERAL TOLERANCES ± 0.20 / .008 REV B9	
B9	REVISED PER ECN#S2002-0349	ASHAN	020207	DWG. NO.: SD- 87436-***7			
B8	REVISED PER ECN#S1999-0415	ASHAN	990816	TITLE : Imm BOARD-TO-BOARD SMT PLUG CONNECTOR ASSEMBLY (7 mm)			
LTR	REVISION RECORD	ECN	DR CHK	DATE	DRAWN BY GMSimmel	CHK'D BY 941124	SCALE
REVISE ONLY ON CAD SYSTEM							

DWG. NO. 87436-\*\*\*7  
SD-  
CAD FILE S87436E2.DGN

TAPE AND REEL WIDTHS AND HOLE DIMENSIONS CONFORM TO EIA-481 STANDARDS.



PART NO.	CKT. SIZE	PART QTY. PER REEL	DIMENSIONS				
			A	B	C	D	E
87436-05*7	9	700	9.30 .366	4.00 .157	3.00 .118	5.05 .199	24.00 .945
87436-06*7	11	700	10.30 .406	5.00 .197	4.00 .157	6.05 .238	24.00 .945
87436-08*7	15	700	12.30 .484	7.00 .276	6.00 .236	8.05 .317	24.00 .945
87436-11*7	21	700	15.30 .602	10.00 .394	9.00 .354	11.05 .435	24.00 .945
87436-13*7	25	700	17.30 .681	12.00 .472	11.00 .433	13.05 .514	32.00 1.260
87436-16*7	31	700	20.30 .799	15.00 .591	14.00 .551	16.05 .632	44.00 1.732
87436-21*7	41	700	25.30 .996	20.00 .787	19.00 .748	21.05 .829	44.00 1.732
87436-26*7	51	700	30.30 1.193	25.00 .984	24.00 .945	26.05 1.026	44.00 1.732
87436-35*7	69	700	39.30 1.547	34.00 1.339	33.00 1.299	35.05 1.380	56.00 2.205



RECOMMENDED PCB PAD AND HOLE LAYOUT MM  
INCH

DO NOT SCALE DRAWING

				MATERIAL : SEE SHEET 1		MOLEX SINGAPORE PTE LTD SHEET 2 OF 2
				FINISH : SEE SHEET 1		
SEE SHEET 1				DRAWN BY 941124 GMSimmel		DWG. NO.: SD- 87436-***7
REVISION RECORD				APPR'D BY		TITLE : Imm BOARD-TO-BOARD SMT PLUG CONNECTOR ASSEMBLY (7mm)
REVISION RECORD				SCALE		