



adler®

## AX8 1500VDC gPV FUSE

# PV PV NH TYPE FUSE



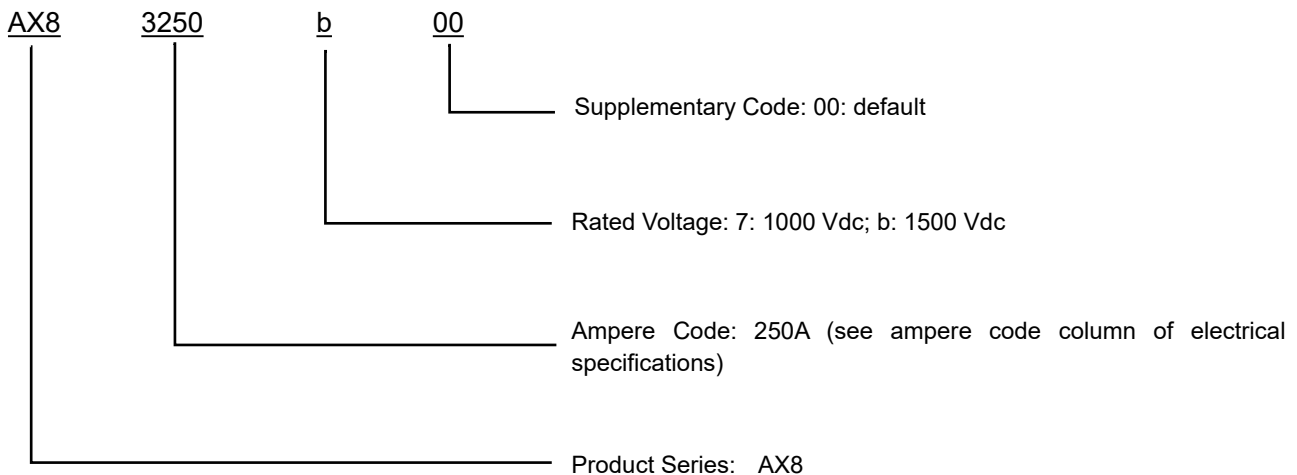
### DESCRIPTION

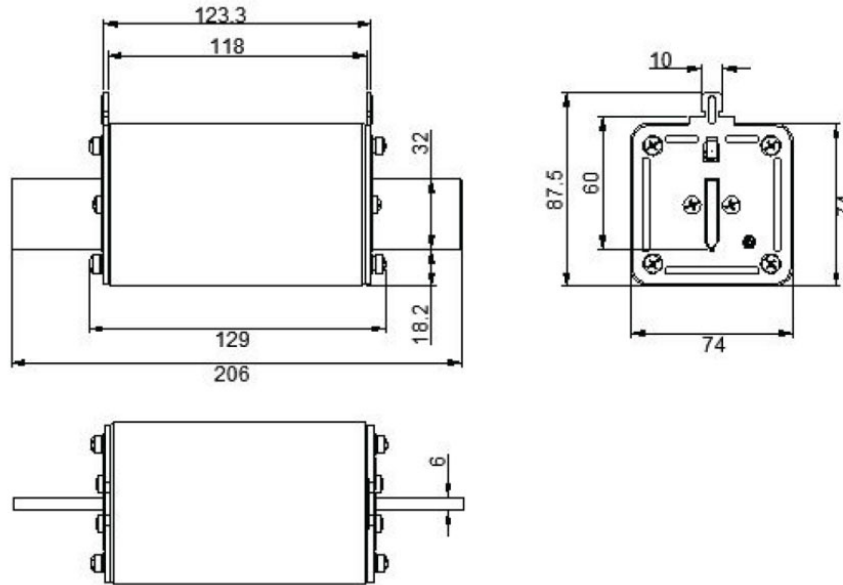
Adler AX8 series PV fuses are engineered and manufactured for used in Combiner Box and Power Storage Protection, made from the highest quality materials and tested to the highest standards. With rated currents from 250A to 400A with a breaking capacity of 10kA.

### FEATURES

- 1000/1500 VDC, PV fuse link
- Rated Current: 250-500 A
- Rated Breaking Capacity: 10 kA  
(Self -Certificated: 50 kA)
- Time Constant: 1-3 ms
- Ref. to UL 248-19
- Approvals: UL (File:E490190)
- BH03L Fuse base

### PART NUMBER SYSTEM



**DIMENSIONS (mm)**

**ELECTRICAL SPECIFICATIONS**

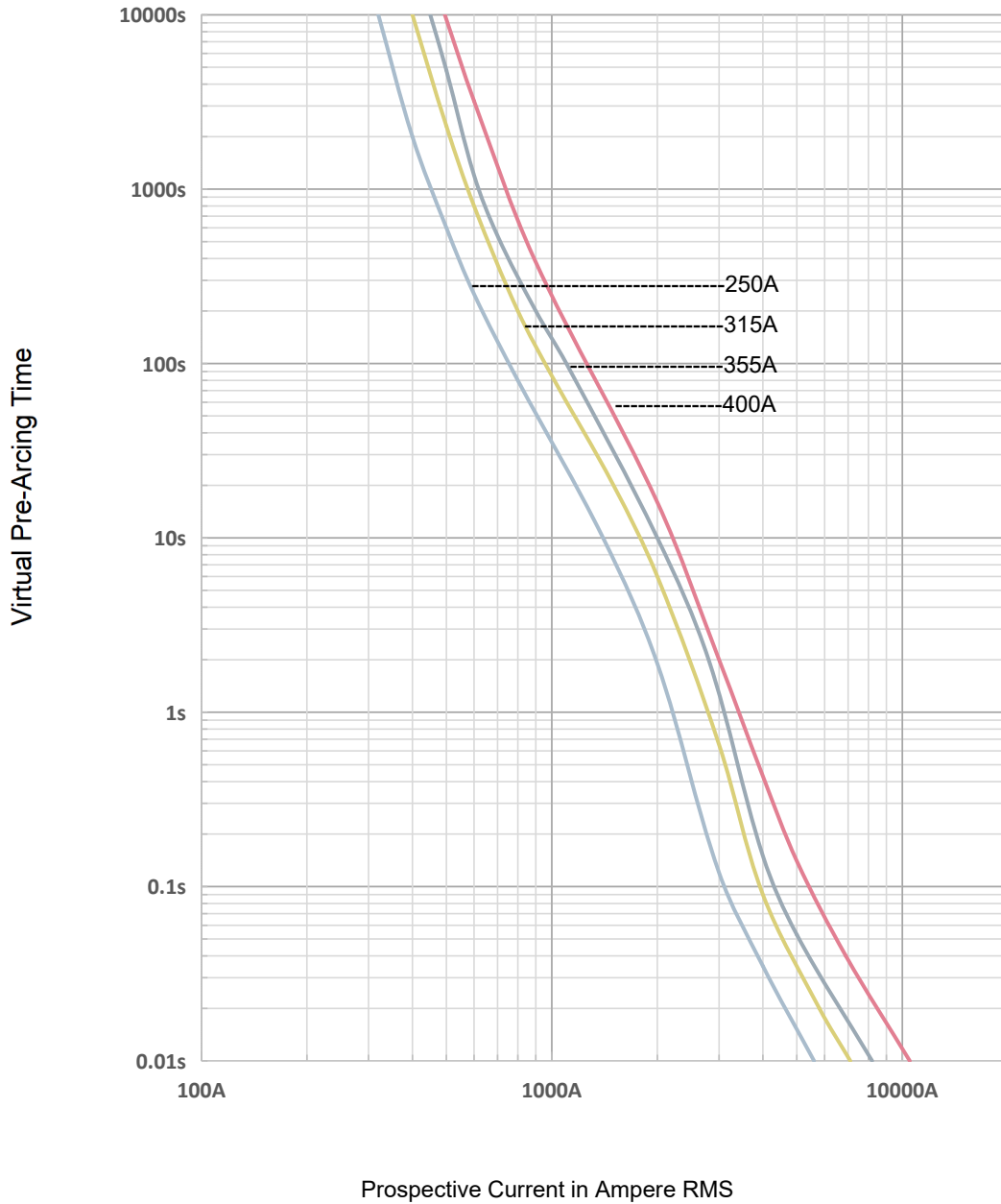
Part Number	Rated Current	Ampere Code	Breaking Capacity	I <sup>2</sup> t (A <sup>2</sup> s)		Dissipation(W)		Certifications
				Pre-Arcing	Total at 1500 V	80%I <sub>n</sub>	100%I <sub>n</sub>	
AX83250700	250A	3250	10kA@1000 VDC	14432.8	81143.2	28	52.8	•
AX83315700	315A	3315		33245.6	133088	33.6	62.4	•
AX83355700	355A	3355		32942.4	145278.4	35.2	68	•
AX83400700	400A	3400		45850	235600	48	87	•
AX83250b00	250A	3250	10kA@1500 VDC	18041	101429	35	66	•
AX83315b00	315A	3315		41557	166360	42	78	•
AX83355b00	355A	3355		41178	181598	44	85	•
AX83400b00	400A	3400		53391	247188	46	88	•



adler®  
TIME CURRENT CURVE

250A~400A

T-C CURVE



WEB RESOURCES

Download the latest technical documents: [www.adlerelectric.com](http://www.adlerelectric.com). Specifications are subject to change without notice.