

87309-2 ✓ ACTIVE

AMPMODU | AMPMODU IV/V

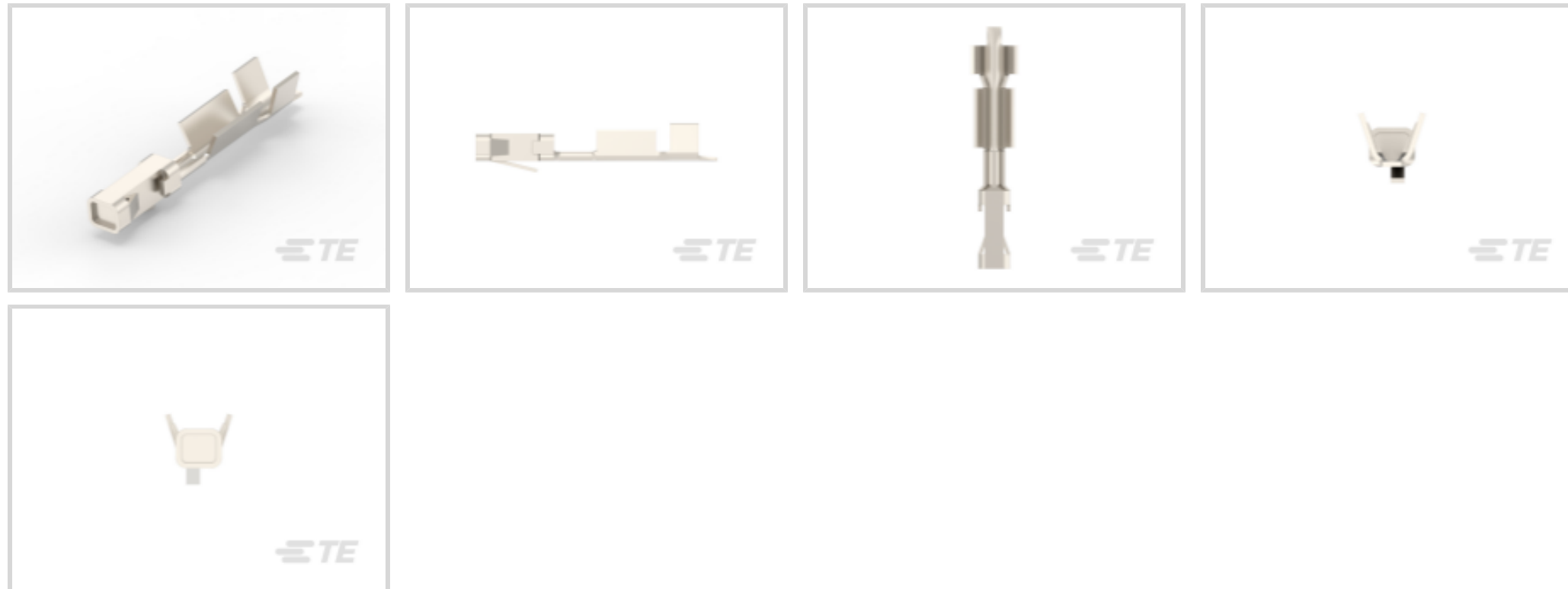
TE Internal #: 87309-2

Socket Contact, Tin, Discrete Wire, 24 – 20 AWG Wire Size, .2 – .56 mm² Wire Size, 394.71 – 1105.17 CMA Wire Size, Crimp, AMPMODU IV/V

[View on TE.com >](#)



Connectors > Contacts > Connector Contacts



Contact Type: **Socket**

Contact Mating Area Plating Material: **Tin**

Wire Contact Termination Area Plating Material: **Nickel, Tin**

Compatible With Wire & Cable Type: **Discrete Wire**

Wire Size: **24 – 20 AWG**

Features

Configuration Features

Compatible With Wire & Cable Type	Discrete Wire
-----------------------------------	---------------

Contact Features

Mating Square Post Dimension	.64 mm [.025 in] 50 – 150 μin
Contact Mating Area Plating Material Finish	Bright
Contact Type	Socket
Contact Mating Area Plating Material	Tin
Wire Contact Termination Area Plating Material	Nickel, Tin
Contact Base Material	Phosphor Bronze
Contact Current Rating (Max)	3 A

Termination Features

Termination Method to Wire & Cable	Crimp
Product Terminates To	Wire & Cable

Mechanical Attachment

Wire Insulation Support	With
-------------------------	------

Dimensions

Wire Size	394.71 – 1105.17 CMA
-----------	----------------------

Usage Conditions

Operating Temperature Range	-65 – 105 °C[-85 – 221 °F]
-----------------------------	----------------------------

Operation/Application

Circuit Application	Power & Signal
---------------------	----------------

Packaging Features

Packaging Quantity	12500
--------------------	-------

Packaging Method	Reel
------------------	------

Product Compliance

[For compliance documentation, visit the product page on TE.com>](#)

EU RoHS Directive 2011/65/EU	Compliant
------------------------------	-----------

EU ELV Directive 2000/53/EC	Compliant
-----------------------------	-----------

China RoHS 2 Directive MIIT Order No 32, 2016	No Restricted Materials Above Threshold
---	---

EU REACH Regulation (EC) No. 1907/2006	Current ECHA Candidate List: JUNE 2024 (241) Candidate List Declared Against: JUNE 2024 (241) Does not contain REACH SVHC
--	---

Halogen Content	Low Halogen - Br, Cl, F, I < 900 ppm per homogenous material. Also BFR/CFR/PVC Free
-----------------	---

Solder Process Capability	Not applicable for solder process capability
---------------------------	--

Product Compliance Disclaimer

This information is provided based on reasonable inquiry of our suppliers and represents our current actual knowledge based on the information they provided. This information is subject to change. The part numbers that TE has identified as EU RoHS compliant have a maximum concentration of 0.1% by weight in homogenous materials for lead, hexavalent chromium, mercury, PBB, PBDE, DBP, BBP, DEHP, DIBP, and 0.01% for cadmium, or qualify for an exemption to these limits as defined in the Annexes of Directive 2011/65/EU (RoHS2). Finished electrical and electronic equipment products will be CE marked as required by Directive 2011/65/EU. Components may not be CE marked. Additionally, the part numbers that TE has identified as EU ELV compliant have a maximum concentration of 0.1% by weight in homogenous materials for lead, hexavalent chromium, and mercury, and 0.01% for cadmium, or qualify for an exemption to these limits as defined in the Annexes of Directive 2000/53/EC (ELV). Regarding the REACH Regulation, the information TE provides on SVHC in articles for this part number is based on the latest European Chemicals Agency (ECHA) 'Guidance on requirements for substances in articles' posted at this URL: <https://echa.europa.eu/guidance-documents/guidance-on-reach>

Compatible Parts



TE Part # 91516-1
CCII MOD IV REC 30-20 ASSY



TE Part # 843996-3
TOOL, EXTRACTION RESET



TE Part # 2266308-1
OCEAN_2.0_Applicator-S-055F062O-RSM



TE Part # 2266308-2
OCEAN_2.0_Applicator-S-055F062O-RSA



KIT

TE Part # 7-2266308-7
OCEAN_2.0_SPARE_PART_KIT-055F062O




TE Part # 7-2266308-1
OCEAN_2.0_Applicator-S-055F062O

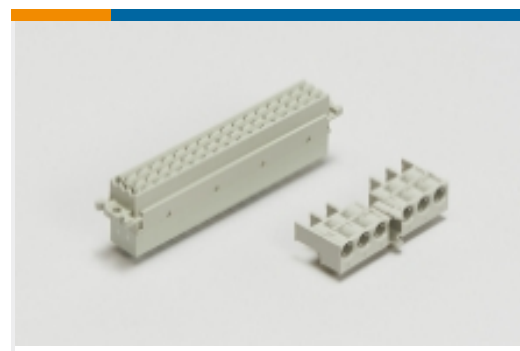


TE Part # 7-2266308-2
OCEAN_2.0_Applicator-S-055F062O


Also in the Series | AMPMODU IV/V



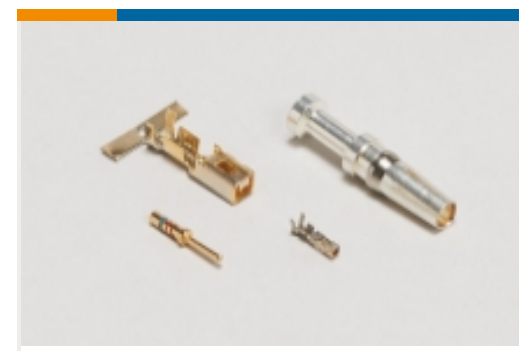
Automotive Housings(1)



Backplane Connector Housings(1)




Connector Caps & Covers(18)



Connector Contacts(321)




Connector Hardware(13)




Insertion & Extraction Tools(4)




PCB Headers & Receptacles(931)



Rectangular Connector Housings(5)

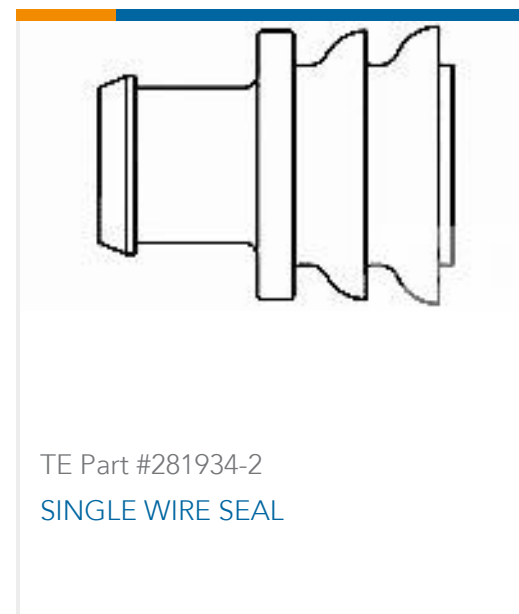


Standard Rectangular Connectors(8)



Wire-to-Board Connector Assemblies & Housings(438)

Customers Also Bought



Documents

CAD Files

3D PDF

3D

Customer View Model

[ENG_CVM_CVM_87309-2_AH.2d_dxf.zip](#)

English

Customer View Model

[ENG_CVM_CVM_87309-2_AH.3d_igs.zip](#)

English

Customer View Model

[ENG_CVM_CVM_87309-2_AH.3d_stp.zip](#)

English

By downloading the CAD file I accept and agree to the [Terms and Conditions](#) of use.

Product Specifications

Application Specification

English