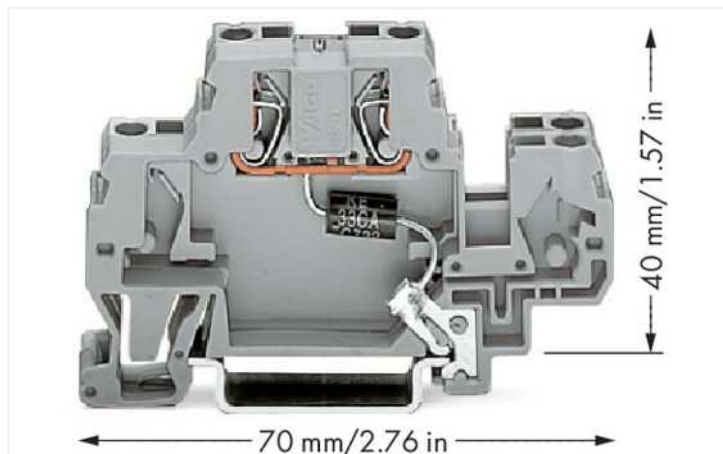



Data Sheet | Item Number: 870-523/281-589

Component terminal block; double-deck; with suppressor diode; 24 VDC; for DIN-rail 35 x 15 and 35 x 7.5; 2.5 mm²; CAGE CLAMP®; 2,50 mm²; gray

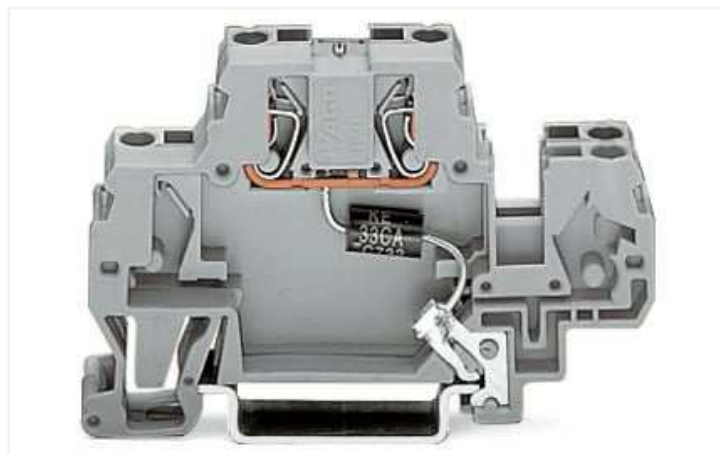


<https://www.wago.com/870-523/281-589>

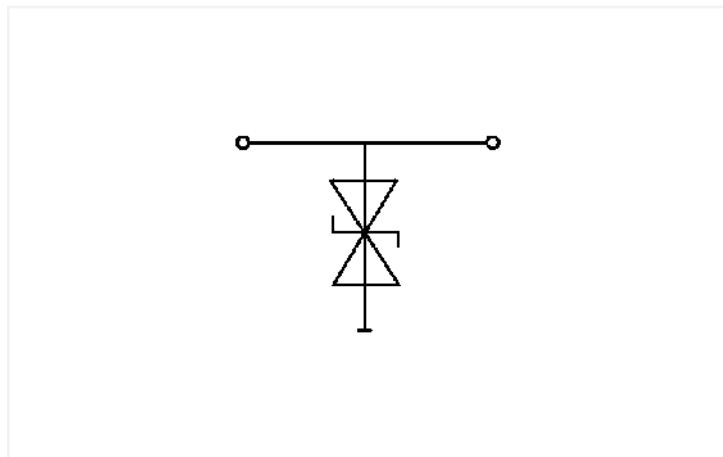


Color:  gray

Similar to illustration



Similar to illustration



Electrical data

Nominal operating voltage	DC 24 V
Highest continuous voltage	DC 28 V
Rated continuous current	20 A
Nominal discharge current (8/20 µs) (line)	169 A
Protection level (8/20 µs)	≤ DC 59 V
Capacitance	≤ 2.7 nF

Connection data

Connections (number)	2
Connection technology	CAGE CLAMP®
Solid conductor	0.08 ... 2.5 mm ² / 28 ... 14 AWG
Fine-stranded conductor	0.08 ... 4 mm ² / 28 ... 12 AWG
Fine-stranded conductor; with insulated ferrule	0.08 ... 1.5 mm ² / 28 ... 14 AWG
Strip length	6 ... 7 mm / 0.24 ... 0.28 inches

Physical data

Width	10 mm / 0.394 inches
Height from upper-edge of DIN-rail	40 mm / 1.575 inches
Depth	70 mm / 2.756 inches

Mechanical Data

Mounting type	DIN-35 rail
---------------	-------------

Material Data

Color	gray
Insulation material	Polyamide (PA66)
Material group	I
Flammability class per UL94	V0
Fire load	0.265 MJ
Weight	11.3 g

Environmental requirements

Processing temperature	-35 ... +85 °C
------------------------	----------------

Commercial data

Product Group	16 (Rail Mounted Terminal Blocks with CCC)
eCl@ss 10.0	27-14-11-27
eCl@ss 9.0	27-14-11-27
ETIM 8.0	EC000903
ETIM 7.0	EC000903
PU (SPU)	25 pcs
Packaging type	Box
Country of origin	DE
GTIN	4050821868385
Customs tariff number	85369010000