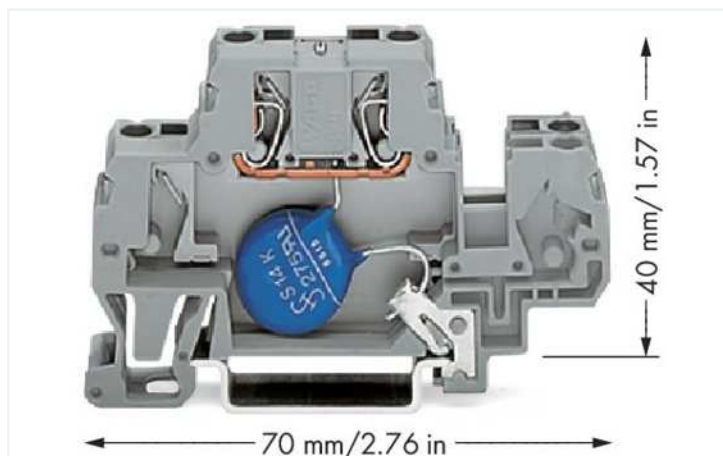



Data Sheet | Item Number: 870-523/281-587

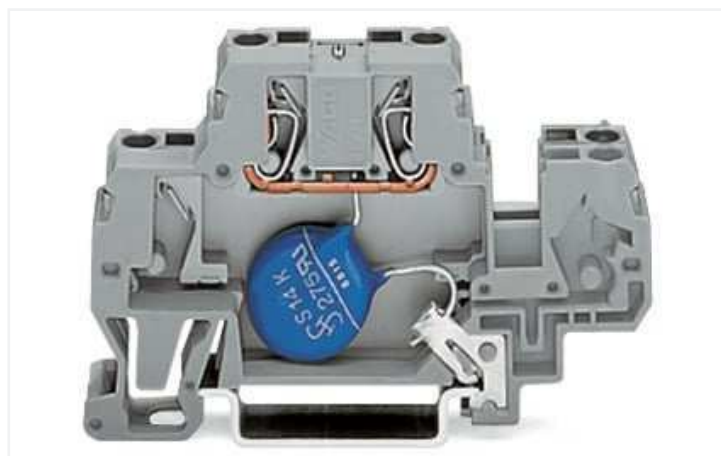
Component terminal block; double-deck; with varistor; for DIN-rail 35 x 15 and 35 x 7.5; 2.5 mm²; CAGE CLAMP®; 2,50 mm²; gray

<https://www.wago.com/870-523/281-587>

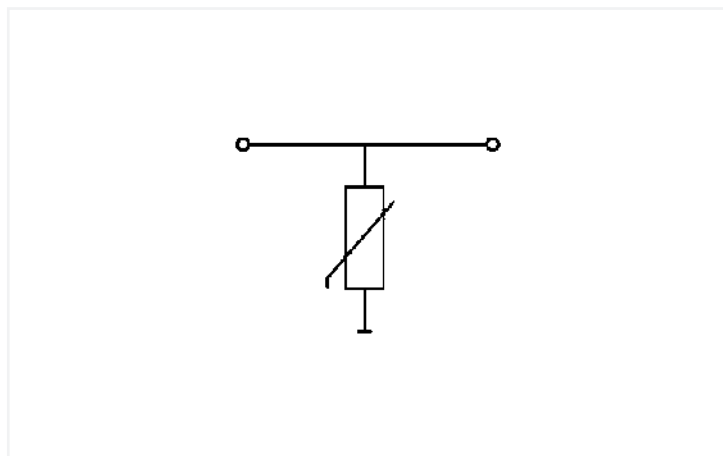


Color:  gray

Similar to illustration



Similar to illustration



Electrical data

| | |
|--|------------|
| Nominal operating voltage | AC 115 V |
| Highest continuous voltage | AC 150 V |
| Rated continuous current | 20 A |
| Nominal discharge current (8/20 µs) (line) | 1 kA |
| Discharge current (max.) | 4.5 kA |
| Protection level (8/20 µs) | ≤ AC 395 V |
| Capacitance | ≤ 570 pF |

Connection data

| | |
|---|--|
| Connections (number) | 2 |
| Connection technology | CAGE CLAMP® |
| Solid conductor | 0.08 ... 2.5 mm ² / 28 ... 14 AWG |
| Fine-stranded conductor | 0.08 ... 4 mm ² / 28 ... 12 AWG |
| Fine-stranded conductor; with insulated ferrule | 0.08 ... 1.5 mm ² / 28 ... 14 AWG |
| Strip length | 6 ... 7 mm / 0.24 ... 0.28 inches |

Physical data

| | |
|------------------------------------|----------------------|
| Width | 10 mm / 0.394 inches |
| Height from upper-edge of DIN-rail | 40 mm / 1.575 inches |
| Depth | 70 mm / 2.756 inches |

Mechanical Data

| | |
|---------------|-------------|
| Mounting type | DIN-35 rail |
|---------------|-------------|

Material Data

| | |
|-----------------------------|------------------|
| Color | gray |
| Insulation material | Polyamide (PA66) |
| Material group | I |
| Flammability class per UL94 | V0 |
| Fire load | 0.257 MJ |
| Weight | 12.2 g |

Environmental requirements

| | |
|------------------------|----------------|
| Processing temperature | -35 ... +85 °C |
|------------------------|----------------|

Commercial data

| | |
|-----------------------|--|
| Product Group | 16 (Rail Mounted Terminal Blocks with CCC) |
| eCl@ss 10.0 | 27-14-11-27 |
| eCl@ss 9.0 | 27-14-11-27 |
| ETIM 8.0 | EC000903 |
| ETIM 7.0 | EC000903 |
| PU (SPU) | 25 pcs |
| Packaging type | Box |
| Country of origin | DE |
| GTIN | 4045454353698 |
| Customs tariff number | 85369010000 |