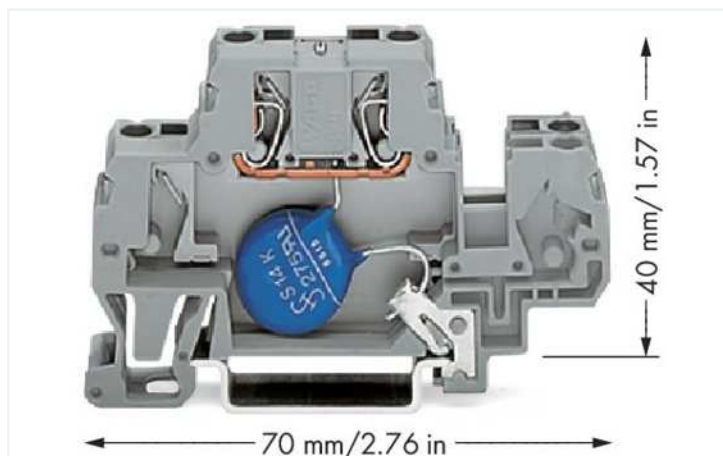



## Data Sheet | Item Number: 870-523/281-582

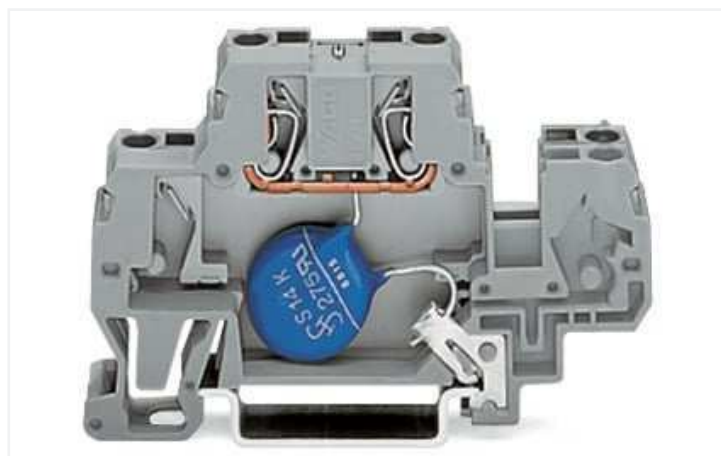
Component terminal block; double-deck; with varistor; for DIN-rail 35 x 15 and 35 x 7.5; 2.5 mm<sup>2</sup>; CAGE CLAMP®; 2,50 mm<sup>2</sup>; gray

<https://www.wago.com/870-523/281-582>

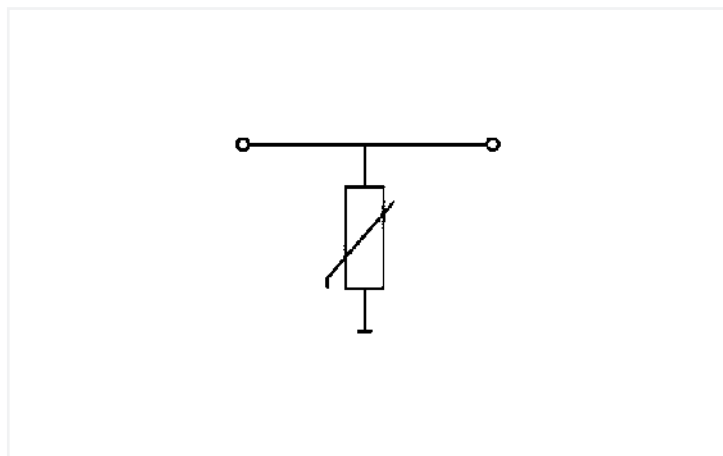


Color:  gray

Similar to illustration



Similar to illustration



### Electrical data

Nominal operating voltage	DC 24 V
Highest continuous voltage	DC 31 V
Rated continuous current	20 A
Nominal discharge current (8/20 µs) (line)	300 A
Discharge current (max.)	1 kA
Protection level (8/20 µs)	≤ DC 77 V
Capacitance	≤ 4.6 nF

### Connection data

Connections (number)	2
Connection technology	CAGE CLAMP®
Solid conductor	0.08 ... 2.5 mm <sup>2</sup> / 28 ... 14 AWG
Fine-stranded conductor	0.08 ... 4 mm <sup>2</sup> / 28 ... 12 AWG
Fine-stranded conductor; with insulated ferrule	0.08 ... 1.5 mm <sup>2</sup> / 28 ... 14 AWG
Strip length	6 ... 7 mm / 0.24 ... 0.28 inches

**Physical data**

Width	10 mm / 0.394 inches
Height from upper-edge of DIN-rail	40 mm / 1.575 inches
Depth	70 mm / 2.756 inches

**Mechanical data**

Mounting type	DIN-35 rail
---------------	-------------

**Material data**

Color	gray
Insulation material	Polyamide (PA66)
Material group	I
Flammability class per UL94	V0
Fire load	0.257 MJ
Weight	12.2 g

**Environmental requirements**

Processing temperature	-35 ... +85 °C
------------------------	----------------

**Commercial data**

Product Group	16 (Rail Mounted Terminal Blocks with CCC)
eCl@ss 10.0	27-14-11-27
eCl@ss 9.0	27-14-11-27
ETIM 8.0	EC000903
ETIM 7.0	EC000903
PU (SPU)	25 pcs
Packaging type	Box
Country of origin	DE
GTIN	4045454308117
Customs tariff number	85369010000