

**RCM570L48****Weidmüller Interface GmbH & Co. KG**

Klingenbergstraße 26

D-32758 Detmold

Germany

www.weidmueller.com

**Product image**

Similar to illustration

Individual relays within the RIDERSERIES RCM

- 4 CO contacts
- Optional AC or DC coils
- With test button and integrated status LED

**General ordering data**

Version	RIDERSERIES RCM, Relay, Number of contacts: 4, CO contact AgNi, Rated control voltage: 48 V DC, Continuous current: 6 A, Plug-in connection, Test button available: Yes
Order No.	<a href="#">8690230000</a>
Type	RCM570L48
GTIN (EAN)	4032248360857
Qty.	10 pc(s).

Creation date March 12, 2024 4:12:51 PM CET

Catalogue status 09.03.2024 / We reserve the right to make technical changes.

## RCM570L48

Weidmüller Interface GmbH &amp; Co. KG

Klingenbergstraße 26

D-32758 Detmold

Germany

www.weidmueller.com

## Technical data

## Dimensions and weights

Depth	29 mm	Depth (inches)	1.142 inch
Height	28 mm	Height (inches)	1.102 inch
Width	22.5 mm	Width (inches)	0.886 inch
Net weight	30.5 g		

## Temperatures

Storage temperature	-40 °C...85 °C	Operating temperature	-40 °C...70 °C
Humidity	40 °C / 93 % rel. humidity, no condensation		

## Rated data UL

Certificate No. (cURus)	E522350
-------------------------	---------

## Control side

Rated control voltage	48 V DC	Rated current DC	16.4 mA
Power rating	788 mW	Coil resistance	3072 $\Omega \pm 10\%$
Coil tolerance	10 %	Status indicator	red LED

## Load side

Rated switching voltage	240 V AC	Continuous current	6 A
Max. switching frequency at rated load	0.1 Hz	Max. switching voltage, AC	250 V
Inrush current	12 A / 20 ms	AC switching capacity (resistive), max.	1500 VA
DC switching capacity (resistive), max.	144 W @ 24 V	Switch-on delay	$\leq 15$ ms
Switch-off delay	$\leq 10$ ms	Contact type	4 CO contact (AgNi)
Mechanical service life	AC coil 20 x 10 <sup>6</sup> switching cycles, DC coil 30 x 10 <sup>6</sup> switching cycles	Min. switching power	1 mA @ 24 V, 10 mA @ 12 V, 100 mA @ 5 V

## General data

Test button available	Yes	Version of test button	Lockable test button, Momentary test button
Mechanical switch position indicator	Yes	Colour	Transparent
UL 94 flammability rating	V-2		

## Insulation coordination

Rated voltage	250 V	Pollution severity	2
Surge voltage category	III	Insulating material group	IIIa
Clearance and creepage distances for control side - load side	$\geq 4$ mm	Dielectric strength for control side - load side	2.5 kV <sub>eff</sub> / 1 Min.
Dielectric strength of neighbouring contacts	2 kV <sub>eff</sub> / 1 min	Dielectric strength of open contact	1.2 kV <sub>eff</sub> / 1 min.
Impulse withstand voltage	5 kV (1.2/50 $\mu$ s)	Protection degree	IP20

## Further details of approvals / standards

Certificate No. (CSA)	249409-2426937	Certificate No. (VDE)	40011762
Certificate No. (cURus)	E522350		

## RCM570L48

**Weidmüller Interface GmbH & Co. KG**  
 Klingenbergstraße 26  
 D-32758 Detmold  
 Germany

www.weidmueller.com

## Technical data

## Connection data

Wire connection method	Plug-in connection
------------------------	--------------------

## Classifications

ETIM 6.0	EC001437	ETIM 7.0	EC001437
ETIM 8.0	EC001437	ETIM 9.0	EC001437
ECLASS 9.0	27-37-16-01	ECLASS 9.1	27-37-16-01
ECLASS 10.0	27-37-16-01	ECLASS 11.0	27-37-16-01
ECLASS 12.0	27-37-16-01	ECLASS 13.0	27-37-16-01

## Approvals

Approvals



ROHS	Conform
UL File Number Search	UL Website
Certificate No. (cURus)	E522350

## Downloads

Approval/Certificate/Document of Conformity	<a href="#">EU Konformitätserklärung / EU Declaration of Conformity</a>
Engineering Data	<a href="#">CAD data – STEP</a>
Catalogues	<a href="#">Catalogues in PDF-format</a>
Brochures	

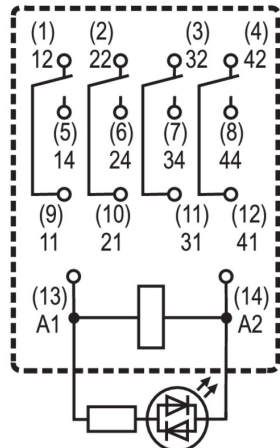
**RCM570L48**

**Weidmüller Interface GmbH & Co. KG**  
 Klingenbergstraße 26  
 D-32758 Detmold  
 Germany

www.weidmueller.com

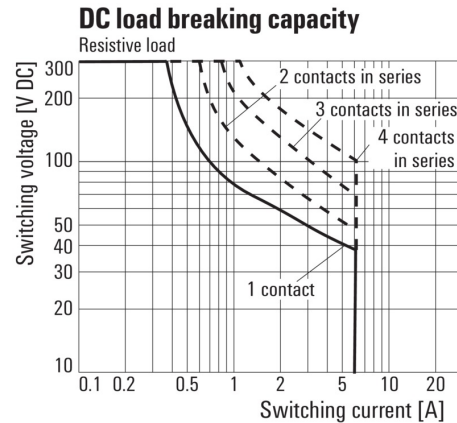
**Drawings**

**Wiring diagram**



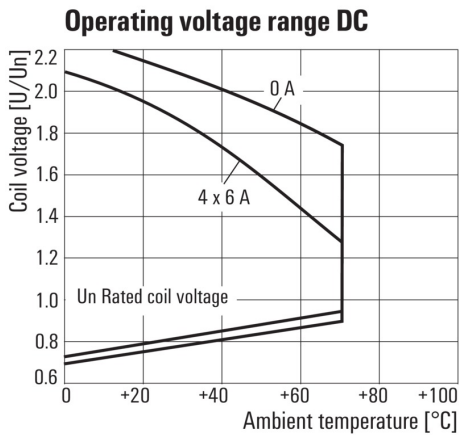
View of Pins from below

**Graph**



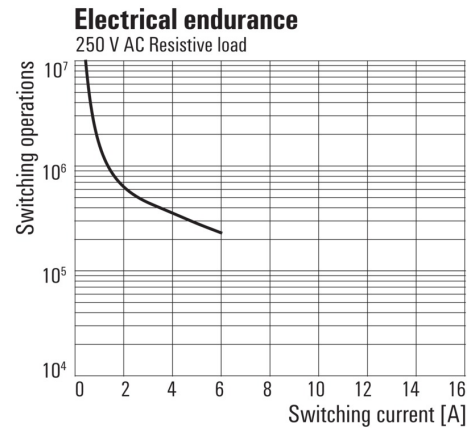
DC load limit curve  
Resistive load

**Graph**



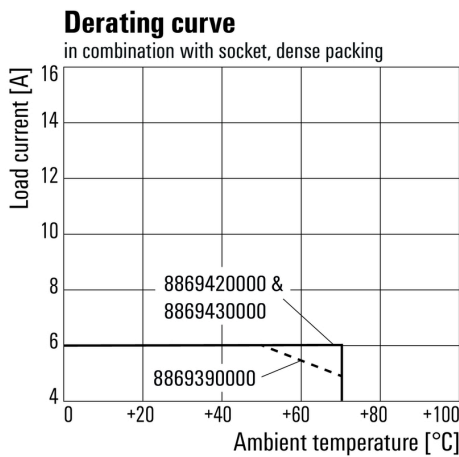
DC operational voltage range

**Graph**



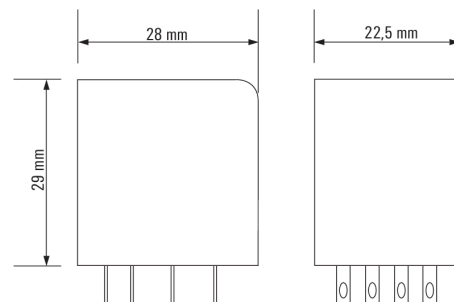
Electrical service life  
250 V AC resistive load

**Graph**



Relay in combination with base

**Dimensional drawing**



## RCM570L48

**Weidmüller Interface GmbH & Co. KG**  
Klingenbergstraße 26  
D-32758 Detmold  
Germany

www.weidmueller.com

## Accessories

## Retaining clips



Retaining clip for RIDERSERIES RCM relays  
• Metal and plastic retaining clip

## General ordering data

Type	SCM-I CLIP M	Version
Order No.	<a href="#">8869450000</a>	RIDERSERIES RCM, Retaining clip
GTIN (EAN)	4032248614301	
Qty.	10 pc(s).	
Type	SCM-I CLIP N	Version
Order No.	<a href="#">8875620000</a>	RIDERSERIES RCM, Retaining clip
GTIN (EAN)	4032248608577	
Qty.	10 pc(s).	
Type	SCM-I CLIP P	Version
Order No.	<a href="#">8869440000</a>	RIDERSERIES RCM, Retaining clip
GTIN (EAN)	4032248614295	
Qty.	10 pc(s).	

## Sockets



relays sockets for RIDERSERIES RCM relays  
• 2, 3 and 4 CO contacts  
• Screw and PUSH IN connection  
• Standard and low heights

## General ordering data

Type	SCM-I 4CO P	Version
Order No.	<a href="#">8869430000</a>	RIDERSERIES RCM, Relay socket, Number of contacts: 4, CO contact,
GTIN (EAN)	4032248614288	Continuous current: 6 A, PUSH IN
Qty.	10 pc(s).	
Type	SCM-I 4CO	Version
Order No.	<a href="#">8869420000</a>	RIDERSERIES RCM, Relay socket, Number of contacts: 4, CO contact,
GTIN (EAN)	4032248614271	Continuous current: 6 A, Screw connection
Qty.	10 pc(s).	
Type	SCM-I 4CO N	Version
Order No.	<a href="#">8869390000</a>	RIDERSERIES RCM, Relay socket, Number of contacts: 4, CO contact,
GTIN (EAN)	4032248614257	Continuous current: 6 A, Screw connection
Qty.	10 pc(s).	

**RCM570L48**

**Weidmüller Interface GmbH & Co. KG**  
 Klingenbergstraße 26  
 D-32758 Detmold  
 Germany

www.weidmueller.com

**Accessories**

**ESG 6/15**



**Guaranteed long service life: ESG**

The multi-colour and multi-format labels have a strong adhesive layer to ensure the best possible adhesion to the underlying surface. Double laminated polyester makes the basic material very thin and yet extremely tear-resistant.

**Your benefits with MultiMark**

- “Different materials for various requirements”
- Can be used with equipment from many manufacturers
- Device markers with a familiar design

**General ordering data**

Type	ESG 6/15 MM WS	Version
Order No.	<a href="#">2619940000</a>	ESG, Device markers, 6 x 15 mm, white
GTIN (EAN)	4050118626148	
Qty.	3,000 pc(s).	

**ESG 6/17**



**Guaranteed long service life: ESG**

The multi-colour and multi-format labels have a strong adhesive layer to ensure the best possible adhesion to the underlying surface. Double laminated polyester makes the basic material very thin and yet extremely tear-resistant.

**Your benefits with MultiMark**

- “Different materials for various requirements”
- Can be used with equipment from many manufacturers
- Device markers with a familiar design

**General ordering data**

Type	ESG 6/17 MM WS	Version
Order No.	<a href="#">2005100000</a>	ESG, Device markers, 6 x 17 mm, white
GTIN (EAN)	4050118390728	
Qty.	3,000 pc(s).	

**RCM570L48**

**Weidmüller Interface GmbH & Co. KG**  
 Klingenbergstraße 26  
 D-32758 Detmold  
 Germany

www.weidmueller.com

**Accessories**

**Protection module**



Pluggable protective modules for the RIDERSERIES RCI / RCM relay sockets, with optional protective functions.

- Optional with free-wheeling diode, protective varistor, load resistor or RC filter

**General ordering data**

Type	RIM-I 1 6/230V	Version
Order No.	<a href="#">8869580000</a>	RIDERSERIES, Free-wheeling diode, Rated control voltage: 6...230 V
GTIN (EAN)	4032248614523	DC, Plug-in connection
Qty.	10 pc(s).	

**Blank**



ESG is the tried-and-tested marker in MultiCard format for use on many well-known electrical devices. The result is high-quality device marking with a high-contrast appearance.

Various types are available for devices from manufacturers like Siemens, ABB, Beckhoff etc.

Advantages at a glance:

- Tags for universal usage, self-adhesive or clip-on tags, depending on type
- For aligned equipment, e.g. circuit breakers, we supply ESG markers for clipping onto tag rails
- Individual laser-quality printing according to specifications

**For custom printing:** Please send us a file of our labeling software M-Print PRO or M-Print PRO Online (without installation) for your labeling specifications.

**General ordering data**

Type	ESG 9/26 SCM-I MC NE WS	Version
Order No.	<a href="#">2558330000</a>	ESG, Device markers x 26 mm, PA 66, Colour: white
GTIN (EAN)	4050118569049	
Qty.	80 pc(s).	

**RCM570L48**

**Weidmüller Interface GmbH & Co. KG**  
 Klingenbergstraße 26  
 D-32758 Detmold  
 Germany

www.weidmueller.com

**Accessories**

**Cross-connection for socket with PUSH IN connection**



Cross-connection for the sockets in the RIDERSERIES RCM

**General ordering data**

Type	SCM-I QV P	Version
Order No.	<a href="#">8870850000</a>	RIDERSERIES RCM, Cross-connector
GTIN (EAN)	4032248631698	
Qty.	10 pc(s).	

**LED**



Pluggable protective modules for the RIDERSERIES RCI / RCM relay sockets, with optional protective functions.

- Optional with green or red LED
- For UC supply voltage

**General ordering data**

Type	RIM-I 3 24/60VUC GN	Version
Order No.	<a href="#">8869620000</a>	RIDERSERIES, LED module, Rated control voltage: 24...60 V UC, Plug-in connection
GTIN (EAN)	4032248614561	
Qty.	10 pc(s).	
Type	RIM-I 3 24/60VUC	Version
Order No.	<a href="#">8869610000</a>	RIDERSERIES, LED module, Rated control voltage: 24...60 V UC, Plug-in connection
GTIN (EAN)	4032248614554	
Qty.	10 pc(s).	

**RCM570L48**

**Weidmüller Interface GmbH & Co. KG**  
 Klingenbergstraße 26  
 D-32758 Detmold  
 Germany

www.weidmueller.com

**Accessories**

**LED / Free-wheel diode**



Pluggable protective modules for the RIDERSERIES RCI / RCM relay sockets, with optional protective functions.

- Optional with green or red LED
- With free-wheeling diode
- For DC supply voltage

**General ordering data**

Type	RIM-I 2 24/60VDC	Version
Order No.	<a href="#">8869670000</a>	RIDERSERIES, LED module with freewheel diode, Rated control
GTIN (EAN)	4032248614608	voltage: 24...60 V DC, Plug-in connection
Qty.	10 pc(s).	

Type	RIM-I 2 24/60VDC GN	Version
Order No.	<a href="#">8869680000</a>	RIDERSERIES, LED module with freewheel diode, Rated control
GTIN (EAN)	4032248614615	voltage: 24...60 V DC, Plug-in connection
Qty.	10 pc(s).	

**Cross-connection for socket with screw connection**

Cross-connection for the sockets in the D-SERIES DRM.



**General ordering data**

Type	SCM-I QV S	Version
Order No.	<a href="#">1132080000</a>	RIDERSERIES RCM, Cross-connector
GTIN (EAN)	4032248912193	
Qty.	10 pc(s).	

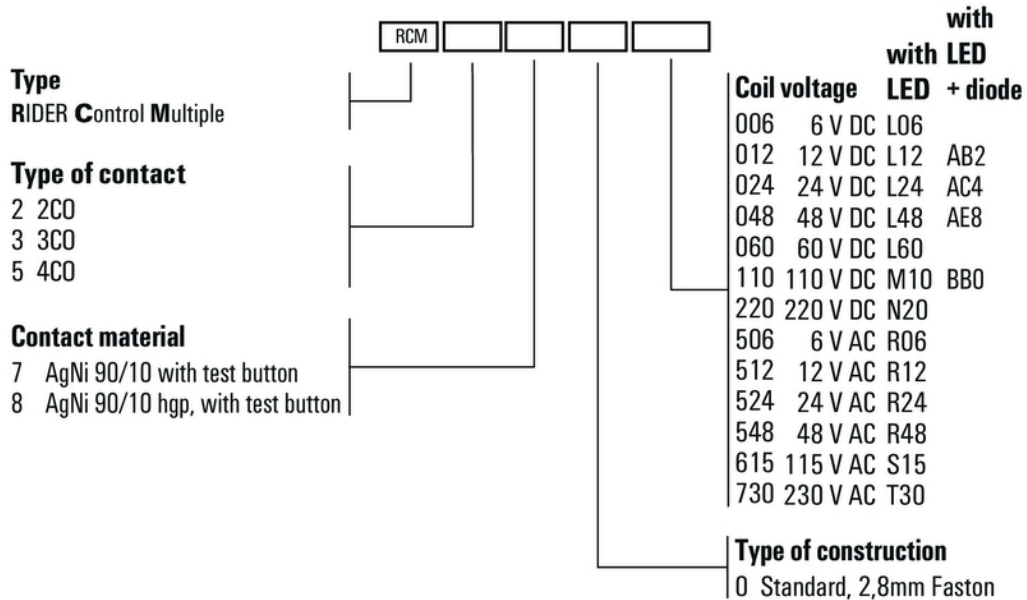
**RCM570L48**

**Weidmüller Interface GmbH & Co. KG**  
 Klingenbergstraße 26  
 D-32758 Detmold  
 Germany

www.weidmueller.com

**Drawings**

**Miscellaneous**



Type codes