

RCM270048

Weidmüller Interface GmbH & Co. KG

Klingenbergstraße 26

D-32758 Detmold

Germany

www.weidmueller.com

Product image



Similar to illustration

Individual relays within the RIDERSERIES RCM

- 2 CO contacts
- Optional AC or DC coils
- With test button

General ordering data

Version	RIDERSERIES RCM, Relay, Number of contacts: 2, CO contact AgNi, Rated control voltage: 48 V DC, Continuous current: 12 A, Plug-in connection, Test button available: Yes
Order No.	8689880000
Type	RCM270048
GTIN (EAN)	4032248360550
Qty.	10 Stück

Erstellungs-Datum May 31, 2022 4:48:36 PM CEST

Katalogstand 20.05.2022 / Technische Änderungen vorbehalten

RCM270048

Weidmüller Interface GmbH & Co. KG
 Klingenbergstraße 26
 D-32758 Detmold
 Germany

www.weidmueller.com

Technische Daten

Dimensions and weights

Depth	29 mm	Depth (inches)	1.142 inch
Height	28 mm	Height (inches)	1.102 inch
Width	22.5 mm	Width (inches)	0.886 inch
Net weight	29 g		

Temperatures

Storage temperature	-40 °C...85 °C	Operating temperature	-40 °C...70 °C
Humidity	40 °C / 93 % rel. humidity, no condensation		

Rated data UL

Certificate No. (cURus)	E224238
-------------------------	---------

Control side

Rated control voltage	48 V DC	Rated current DC	15.6 mA
Power rating	750 mW	Pull-in/drop-out voltage, typ.	36 V / 4.8 V DC
Coil resistance	3072 Ω ± 10 %	Coil tolerance	10 %

Load side

Rated switching voltage	240 V AC	Continuous current	12 A
Max. switching frequency at rated load	0.1 Hz	Inrush current	24 A / 20 ms
AC switching capacity (resistive), max.	3000 VA	DC switching capacity (resistive), max.	288 W @ 24 V
Switch-on delay	≤ 15 ms	Switch-off delay	≤ 10 ms
Contact type	2 CO contact (AgNi)	Mechanical service life	AC coil 20 x 10 ⁶ switching cycles, DC coil 30 x 10 ⁶ switching cycles
Min. switching power	1 mA @ 24 V, 10 mA @ 12 V, 100 mA @ 5 V		

General data

Test button available	Yes	Version of test button	lockable
Mechanical switch position indicator	Yes	Colour	Transparent
UL 94 flammability rating	V-2		

Insulation coordination

Rated voltage	250 V	Pollution severity	2
Surge voltage category	III	Insulating material group	IIIa
Clearance and creepage distances for control side - load side	≥ 4 mm	Dielectric strength for control side - load side	2.5 kV _{eff} / 1 Min.
Dielectric strength of neighbouring contacts	2.5 kV _{eff} / 1 Min.	Dielectric strength of open contact	1.2 kV _{eff} / 1 min.
Impulse withstand voltage	5 kV (1.2/50 μs)	Protection degree	IP20

Further details of approvals / standards

Standards	IEC 61810-1, UL508	Certificate No. (CSA)	249409-2426937
Certificate No. (VDE)	40011762	Certificate No. (cURus)	E224238

RCM270048

Weidmüller Interface GmbH & Co. KG
 Klingenbergstraße 26
 D-32758 Detmold
 Germany

www.weidmueller.com

Technische Daten

Connection data

Wire connection method Plug-in connection

Classifications

ETIM 6.0	EC001437	ETIM 7.0	EC001437
ETIM 8.0	EC001437	ECLASS 9.0	27-37-16-01
ECLASS 9.1	27-37-16-01	ECLASS 10.0	27-37-16-01
ECLASS 11.0	27-37-16-01	ECLASS 12.0	27-37-16-01

Approvals

Approvals



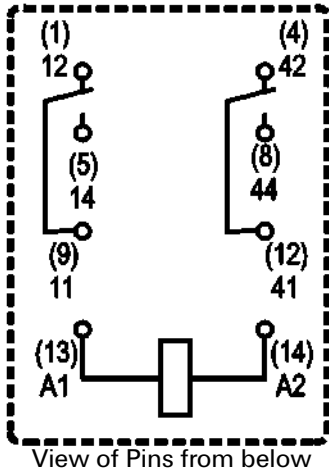
ROHS Conform
 UL File Number Search E224238

Downloads

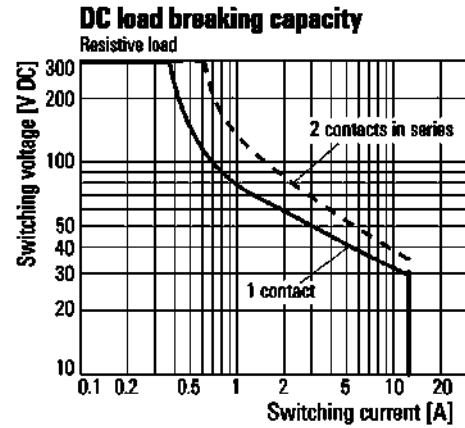
Approval/Certificate/Document of Conformity	EU Konformitätserklärung / EU Declaration of Conformity
Engineering Data	CAD data – STEP
Engineering Data	EPLAN, WSCAD
Catalogues	Catalogues in PDF-format
Brochures	

Zeichnungen

Wiring diagram

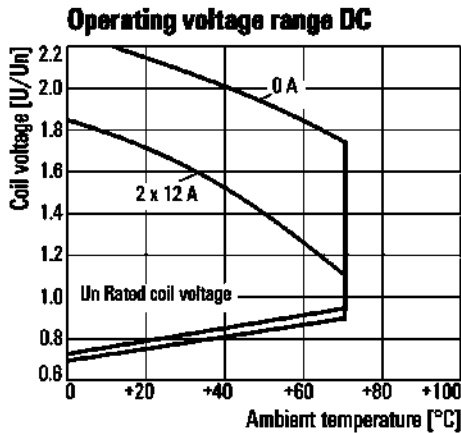


Graph



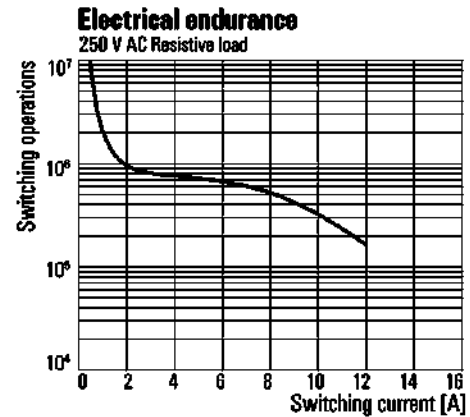
DC load limit curve
Resistive load

Graph



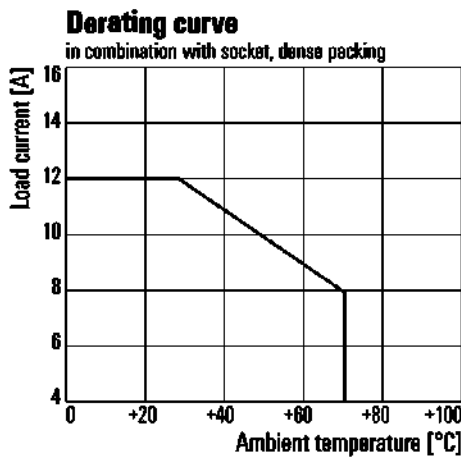
DC operational voltage range

Graph



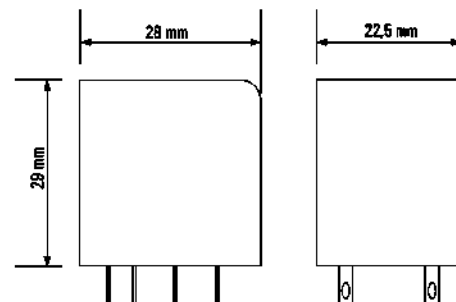
Electrical service life
250 V AC resistive load

Graph



Derating curve
Relay in combination with base

Dimensional drawing



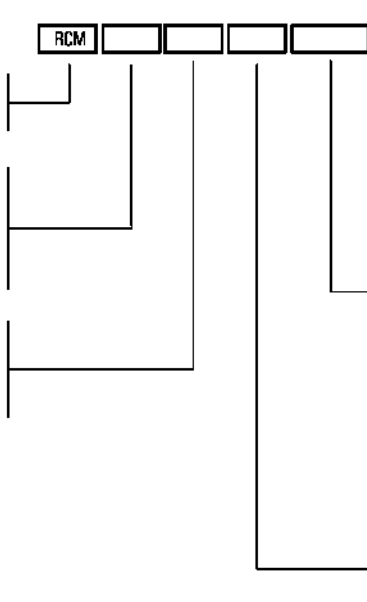
RCM270048

Weidmüller Interface GmbH & Co. KG
 Klingenbergstraße 26
 D-32758 Detmold
 Germany

www.weidmueller.com

Zeichnungen

Miscellaneous

	<div style="display: flex; justify-content: space-around; width: 100px;"> <div style="border: 1px solid black; padding: 2px;">RCM</div> <div style="border: 1px solid black; width: 20px; height: 15px;"></div> <div style="border: 1px solid black; width: 20px; height: 15px;"></div> <div style="border: 1px solid black; width: 20px; height: 15px;"></div> <div style="border: 1px solid black; width: 20px; height: 15px;"></div> </div>																																											
<p>Type RIDER Control Multiple</p> <p>Type of contact 2 2CO 3 3CO 5 4CO</p> <p>Contact material 7 AgNi 90/10 with test button 8 AgNi 90/10 hgp, with test button</p>		<p style="text-align: right;">with with LED</p> <table border="0"> <tr> <td>Coil voltage</td> <td>LED</td> <td>+ diode</td> </tr> <tr> <td>006 6 V DC</td> <td>L06</td> <td></td> </tr> <tr> <td>012 12 V DC</td> <td>L12</td> <td>AB2</td> </tr> <tr> <td>024 24 V DC</td> <td>L24</td> <td>AC4</td> </tr> <tr> <td>048 48 V DC</td> <td>L48</td> <td>AE8</td> </tr> <tr> <td>060 60 V DC</td> <td>L60</td> <td></td> </tr> <tr> <td>110 110 V DC</td> <td>M10</td> <td>BBO</td> </tr> <tr> <td>220 220 V DC</td> <td>N20</td> <td></td> </tr> <tr> <td>506 6 V AC</td> <td>R06</td> <td></td> </tr> <tr> <td>512 12 V AC</td> <td>R12</td> <td></td> </tr> <tr> <td>524 24 V AC</td> <td>R24</td> <td></td> </tr> <tr> <td>548 48 V AC</td> <td>R48</td> <td></td> </tr> <tr> <td>615 115 V AC</td> <td>S15</td> <td></td> </tr> <tr> <td>730 230 V AC</td> <td>T30</td> <td></td> </tr> </table> <p>Type of construction 0 Standard, 2,8mm Faston</p>	Coil voltage	LED	+ diode	006 6 V DC	L06		012 12 V DC	L12	AB2	024 24 V DC	L24	AC4	048 48 V DC	L48	AE8	060 60 V DC	L60		110 110 V DC	M10	BBO	220 220 V DC	N20		506 6 V AC	R06		512 12 V AC	R12		524 24 V AC	R24		548 48 V AC	R48		615 115 V AC	S15		730 230 V AC	T30	
Coil voltage	LED	+ diode																																										
006 6 V DC	L06																																											
012 12 V DC	L12	AB2																																										
024 24 V DC	L24	AC4																																										
048 48 V DC	L48	AE8																																										
060 60 V DC	L60																																											
110 110 V DC	M10	BBO																																										
220 220 V DC	N20																																											
506 6 V AC	R06																																											
512 12 V AC	R12																																											
524 24 V AC	R24																																											
548 48 V AC	R48																																											
615 115 V AC	S15																																											
730 230 V AC	T30																																											

Type codes