

86773-3 ✓ ACTIVE

TE Internal #: 86773-3

Splicing Contact Contact, Gold, Discrete Wire / FFC, 26 – 22 AWG

Wire Size, .12 – .4 mm² Wire Size, Insulation Displacement (IDC),

Phosphor Bronze

[View on TE.com >](#)



Connectors > Contacts > Connector Contacts



Contact Type: **Splicing Contact**

Contact Mating Area Plating Material: **Gold**

Compatible With Wire & Cable Type: **Discrete Wire, FFC**

Wire Size: **.12 – .4 mm²**

Features

Configuration Features

Compatible With Wire & Cable Type	Discrete Wire, FFC
-----------------------------------	--------------------

Contact Features

Contact Underplating Material	15 µin
Contact Underplating Material	Nickel
Contact Type	Splicing Contact
Contact Mating Area Plating Material	Gold
Contact Base Material	Phosphor Bronze

Termination Features

Termination Method to Wire & Cable	Insulation Displacement (IDC)
------------------------------------	-------------------------------

Dimensions

Compatible Insulation Diameter Range	.89 – 1.52 mm [.035 – .06 in]
Wire Size	.12 – .4 mm ²

Usage Conditions

Operating Temperature Range	-65 – 105 °C [-85 – 221 °F]
-----------------------------	-----------------------------

Packaging Features

Packaging Method	Strip
------------------	-------

Product Compliance

[For compliance documentation, visit the product page on TE.com>](#)

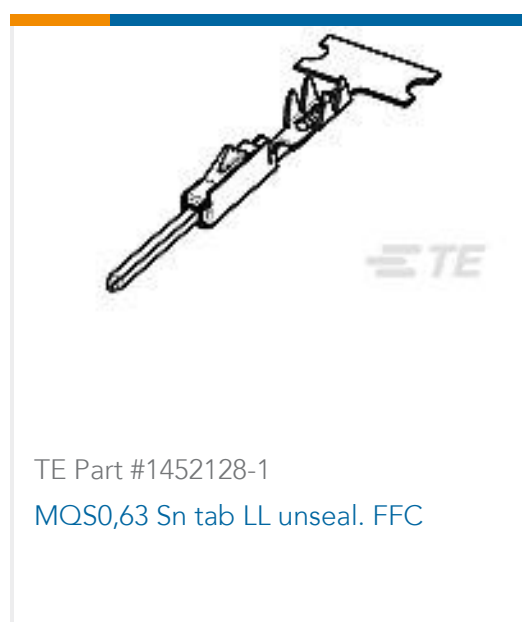


EU RoHS Directive 2011/65/EU	Compliant
EU ELV Directive 2000/53/EC	Compliant
China RoHS 2 Directive MIIT Order No 32, 2016	No Restricted Materials Above Threshold
EU REACH Regulation (EC) No. 1907/2006	Current ECHA Candidate List: JUNE 2024 (241) Candidate List Declared Against: JAN 2024 (240) Does not contain REACH SVHC
Halogen Content	Low Halogen - Br, Cl, F, I < 900 ppm per homogenous material. Also BFR/CFR/PVC Free
Solder Process Capability	Reflow solder capable to 260°C

Product Compliance Disclaimer

This information is provided based on reasonable inquiry of our suppliers and represents our current actual knowledge based on the information they provided. This information is subject to change. The part numbers that TE has identified as EU RoHS compliant have a maximum concentration of 0.1% by weight in homogenous materials for lead, hexavalent chromium, mercury, PBB, PBDE, DBP, BBP, DEHP, DIBP, and 0.01% for cadmium, or qualify for an exemption to these limits as defined in the Annexes of Directive 2011/65/EU (RoHS2). Finished electrical and electronic equipment products will be CE marked as required by Directive 2011/65/EU. Components may not be CE marked. Additionally, the part numbers that TE has identified as EU ELV compliant have a maximum concentration of 0.1% by weight in homogenous materials for lead, hexavalent chromium, and mercury, and 0.01% for cadmium, or qualify for an exemption to these limits as defined in the Annexes of Directive 2000/53/EC (ELV). Regarding the REACH Regulation, the information TE provides on SVHC in articles for this part number is based on the latest European Chemicals Agency (ECHA) 'Guidance on requirements for substances in articles' posted at this URL: <https://echa.europa.eu/guidance-documents/guidance-on-reach>

Customers Also Bought



TE Part #1452128-1
MQS0,63 Sn tab LL unseal. FFC



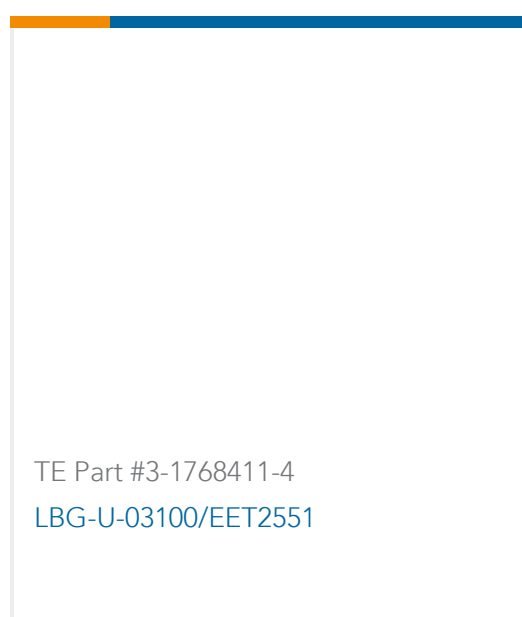
TE Part #826951-2
02P MODU 2 PIN HDR



TE Part #826951-3
3P MOD2 STIFT LEI



TE Part #826952-2
2P MOD2 STIFT LEI



TE Part #3-1768411-4
LBG-U-03100/EET2551

Documents



Product Drawings

FFC TO ROUND WIRE SPLICE

English

CAD Files

Customer View Model

[ENG_CVM_CVM_86773-3_AP.2d_dxf.zip](#)

English

3D PDF

3D

Customer View Model

[ENG_CVM_CVM_86773-3_AP.3d_igs.zip](#)

English

Customer View Model

[ENG_CVM_CVM_86773-3_AP.3d_stp.zip](#)

English

By downloading the CAD file I accept and agree to the [Terms and Conditions](#) of use.

Product Specifications

Application Specification

English

FFC Standard Crimp Contact

English

Application Specification

English

Application Specification

English

Instruction Sheets

Instruction Sheet (U.S.)

English

Application and Maintenance for Hand Crimping Tool Assembly

English