

DIMENSIONS

TERMINATION

A

B

C

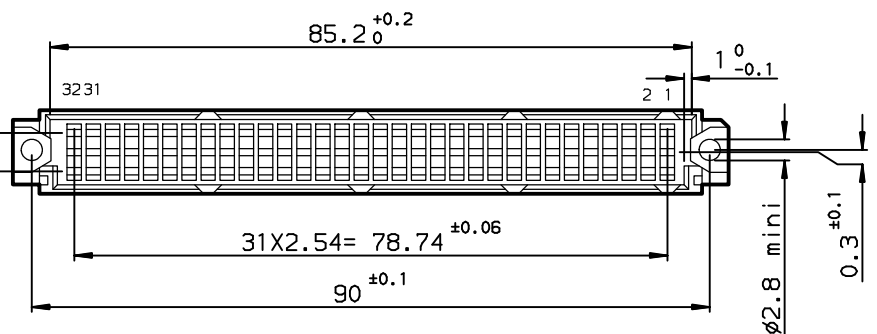
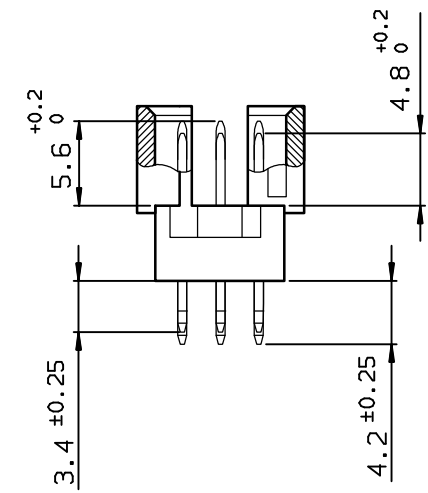
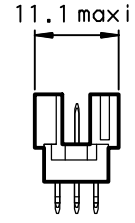
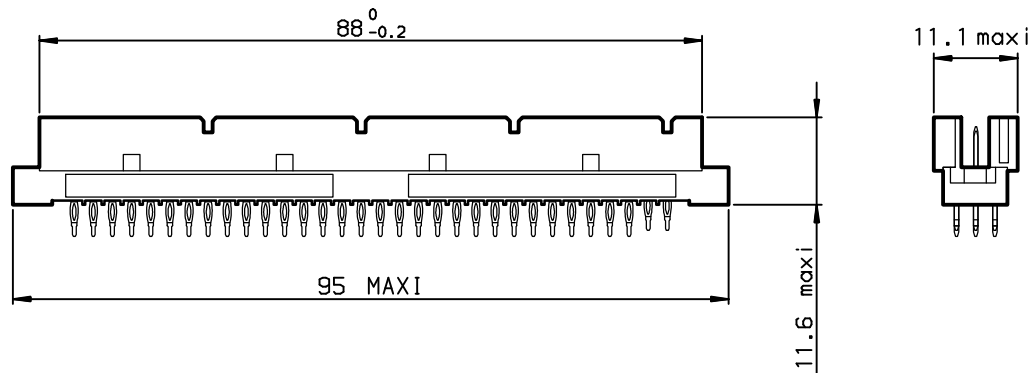
D

A

B

C

D



TIN LEAD PART NUMBER

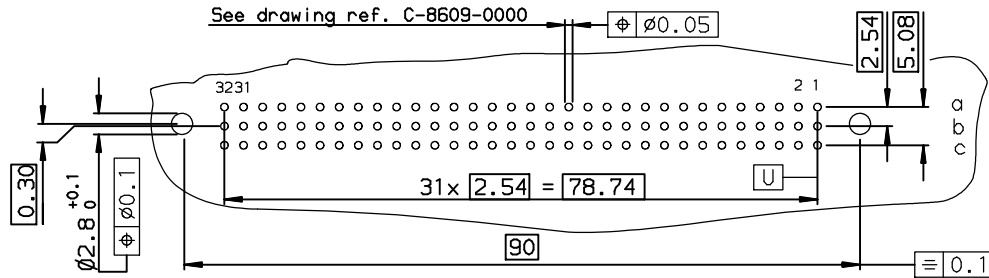
PART NUMBER  
86093967894755875E1

LEAD FREE PART NUMBER

PART NUMBER  
86093967894755CALF

P.C. CARD DRILLING (Component side view)

See drawing ref. C-8609-0000



SPECIFICATION 875 = No standard mounting length in row a-b-c cavities 1 and 2 :  
OR SPECIFICATION CA = 6 contacts more inserted in housing = termination 3.4 mm  
and mating length 5.6 mm

25% rebroye maxi

European Views

GENERAL CHARACTERISTICS AND ROHS INFORMATIONS:  
SEE DRAWING C-8609-0000C

rev	ecn no	dr	date
C	-	-	2005/01/06
D	LS05-004	JTA	2005/02/26
E	LS06-0095	LGO	2006/06/28
-	-	-	-
-	-	-	-
-	-	-	-

www.fciconnect.com		surface ISO 1302 ✓	tolerance std ISO 406 ISO 1101	projection mm	TOLERANCES UNLESS OTHERWISE SPECIFIED	
Dr	ROUILLARD	2002/01/18	ANGULAR	LINEAR	0.x ±0.1	size A3
Eng	TARON	2002/01/18	0.xx ±0.1	0.xxx ±0.1	Scale 1.5	
Chr	LEGARE	2002/01/18	0.xx* ±2*		ECN LS06-0095	
Appr	LEGARE	2002/01/18	Product family	DIN 8609	Spec ref -	
title REVERSE MALE 3 ROW 96 CONTACTS			catag no		chg no C-8609-1117	Rev. E
					CUSTOMER	sheet 1 of 1



Copyright FCI.