

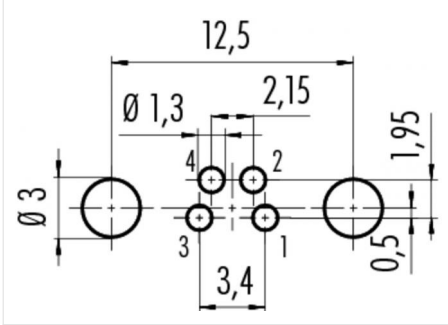
Product description **M8 female panel mount connector, Contacts: 4, shieldable, with shield plate, dip-solder, IP67**

Area **M8 series 718**
 Order number **86 6618 1121 00004**

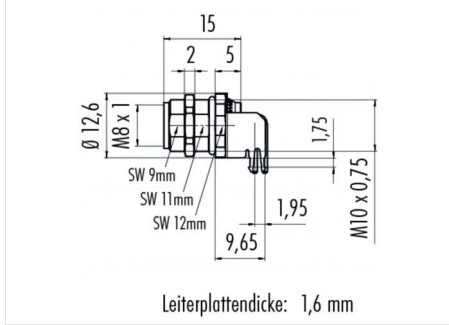
Illustration



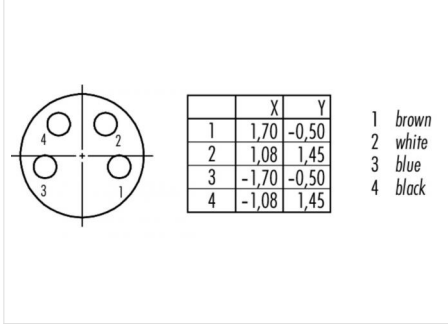
Conductor layout



Scale drawing



Contact arrangement



You can find the assembly instructions on the next page.

Technical data

General values

Notice Please note that, due to the change from the old to the new order number, there may be deviations in the technical specifications. For questions about product details, please use the 'Contact Customer Service' form on the right.

Connector design female panel mount connector
 Connector locking system screw
 Termination dip-solder
 Upper limit temperature 85 °C
 Lower limit temperature -40 °C
 Customs tariff number 85369010

Electrical values

Rated current (40 °C) 4 A
 Rated voltage 60 V
 Rated impulse voltage 1500 V
 Pollution degree 3
 Overvoltage category II
 Insulating material group II
 EMC compliance shieldable, with shield plate
 Degree of protection IP67
 Mechanical operation > 100 Mating cycles

Material

Contact material CuSn (bronze)
 Contact plating Au (gold)
 Contact body material PA
 Housing material Zinc die-cast nickel-plated

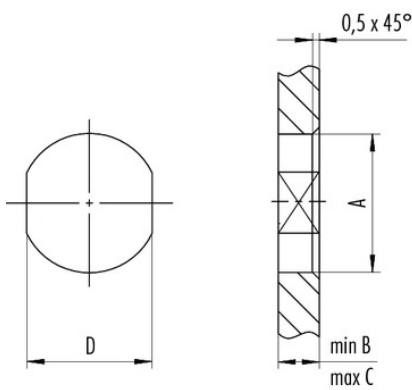
Product description **M8 female panel mount connector, Contacts: 4, shieldable, with shield plate, dip-solder, IP67**

Area **M8 series 718**
 Order number **86 6618 1121 00004**

Assembly instructions / Panel cut-out

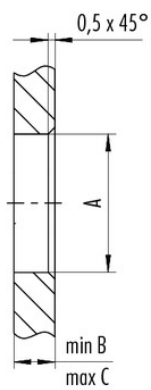
1. Einbauvorschlag

Mit Fläche als Verdrehschutz



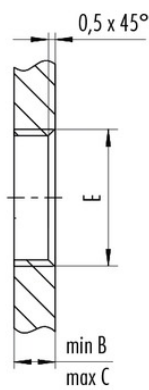
2. Einbauvorschlag

Mit Durchgangsbohrung



3. Einbauvorschlag

Mit Gewinde, einschraubbar



Gewinde E	A	B	C	D
M8 x 1	8,1	2,0	3,5	7,1
M10 x 0,75	10,1	2,0	6,5	9,1
M12 x 1	12,1	2,5	4,5	10,0

Anzugsdrehmoment 1 Nm

Product description	M8 female panel mount connector, Contacts: 4, shieldable, with shield plate, dip-solder, IP67
Area	M8 series 718
Order number	86 6618 1121 00004

Security notices

The connectors are designed for use in plant, control system and electrical equipment. The end user is responsible for checking whether the connectors are suitable for use in other applications. Connectors with degree of protection IP 67 and IP 68 are not suitable for use under water. When used outdoors, the connectors must be separately protected against corrosion. For further information about IP degrees of protection refer to 'Technical support' in the Download Centre.