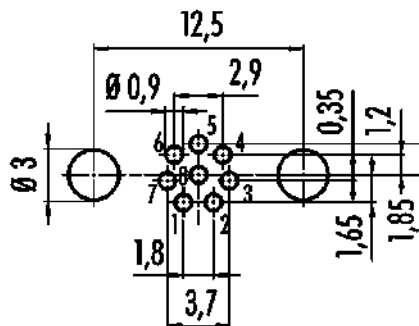


Product description	M8 Male panel mount connector, Contacts: 8, shieldable, THT, IP67, front fastened
Area	M8 series 718
Part no.	86 6319 1121 00008

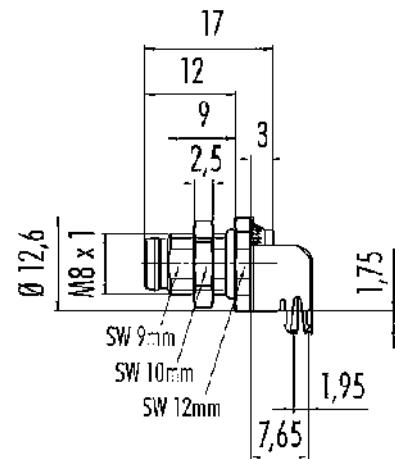
### Illustration



### Conductor layout

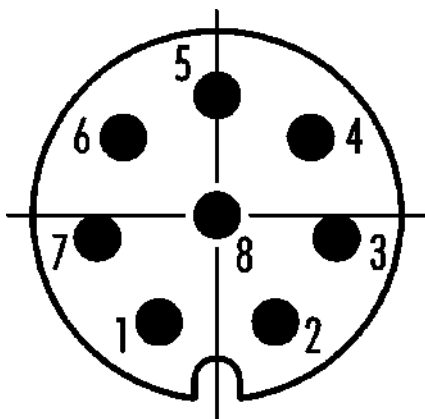


### Scale drawing



Leiterplattendicke: 1,6 mm

### Contact arrangement (Plug-in side)



You can find the assembly instructions on the next page.

### Technical data

# Product data sheet

## Automation technology - Sensors and actuators



Product description	<b>M8 Male panel mount connector, Contacts: 8, shieldable, THT, IP67, front fastened</b>
-	-
Area	<b>M8 series 718</b>
Part no.	<b>86 6319 1121 00008</b>

### General features

Part no.	<b>86 6319 1121 00008</b>
	Alternative part no.: 09 3427 82 08
Notice	Please note that, due to the change from the old to the new order number, there may be deviations in the technical specifications. For questions about product details, please use the 'Contact Customer Service' form on the right.
Connector design	Male panel mount connector
Version	Connector pin angled
Connector locking system	screw/snap-in
Termination	THT
Degree of protection	IP67
Temperature range from/to	-40 °C / 85 °C
Mechanical operation	> 100 Mating cycles
Weight (g)	4.82
Customs tariff number	85369010

### Electrical parameters

Rated voltage	30 V
Rated impulse voltage	800 V
Rated current (40 °C)	1.5 A
Pollution degree	3
Overvoltage category	II
Insulating material group	II
EMC compliance	shieldable
Shield connection	Shielding plate

### Material

Housing material	Zinc die-cast nickel-plated
Contact body material	PA black
Contact material	CuZn (brass)
Contact plating	Au (gold)
REACH SVHC	CAS 7439-92-1 (Lead)
SCIP number	4270cb6c-249d-4483-9052-51b153a21d8c

### Classifications

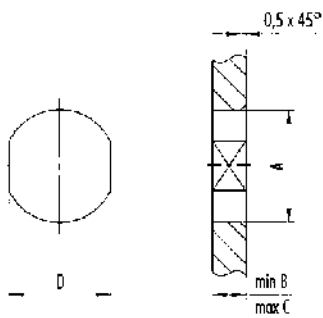
eCl@ss 11.1	27-44-01-09
ETIM 9.0	EC003569

Product description **M8 Male panel mount connector, Contacts: 8, shieldable, THT, IP67, front fastened**  
 Area **M8 series 718**  
 Part no. **86 6319 1121 00008**

### Assembly instructions / Panel cut-out

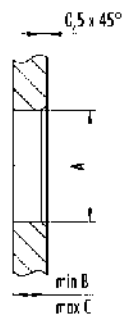
1<sup>st</sup> Installation proposal

With flaps as anti-rotation device



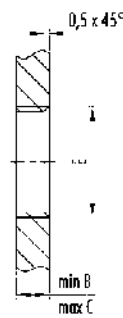
2<sup>nd</sup> Installation proposal

With bore hole



3<sup>rd</sup> Installation proposal

With thread to screw in



Thread E	A	B	C	D
M8 x 1	8,1	2,0	3,5	7,1
M10 x 0,75	10,1	2,0	4,5	9,1
M12 x 1	12,1	2,5	4,5	10,0

Tightening torque 1 Nm

Product description	<b>M8 Male panel mount connector, Contacts: 8, shieldable, THT, IP67, front fastened</b>
-	-
Area	<b>M8 series 718</b>
Part no.	<b>86 6319 1121 00008</b>

### Security notices

The connectors have been developed for applications in plant engineering, control and electrical equipment construction. The user is responsible for checking whether the connectors can also be used in other areas of application.

Plug connectors with enclosure protection IP67 and IP68 are not suitable for use under water. When used outdoors, the plug connectors must be protected separately against corrosion. For further information on the IP protection classes, please refer to the "Technical Information" download centre.