

Product description	M8 male angled panel mount connector, Contacts: 4, shieldable, dip-solder, IP67, front mounting
Area	M8 series 718
Order number	86 6319 1121 00004

General features

Order number	86 6319 1121 00004 Alternative order number: 09 3421 82 04
Notice	Please note that, due to the change from the old to the new order number, there may be deviations in the technical specifications. For questions about product details, please use the 'Contact Customer Service' form on the right.
Connector design	male angled panel mount connector
Version	connector male angled
Connector locking system	bolted / snap
Termination	dip-solder
Degree of protection	IP67
Temperature range from/to	-40 °C / 85 °C
Mechanical operation	> 100 Mating cycles
Weight (g)	5.3
Customs tariff number	85369010

Electrical parameters

Rated voltage	60 V
Rated impulse voltage	800 V
Rated current (40 °C)	4 A
Pollution degree	3
Overvoltage category	II
Insulating material group	II
EMC compliance	shieldable
Shield connection	Shielding plate

Material

Housing material	Zinc die-cast nickel-plated
Contact body material	PA black
Contact material	CuZn (brass)
Contact plating	Au (gold)
REACH SVHC	CAS 7439-92-1 (Lead)
SCIP number	584d34d7-0071-4822-90bc-e543b5f198ee

Classifications

eCl@ss 11.1	27-44-01-09
ETIM 7.0	EC003569

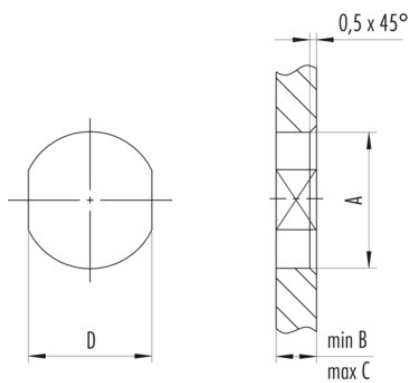
Product description **M8 male angled panel mount connector, Contacts: 4, shieldable, dip-solder, IP67, front mounting**

Area **M8 series 718**
Order number **86 6319 1121 00004**

Assembly instructions / Panel cut-out

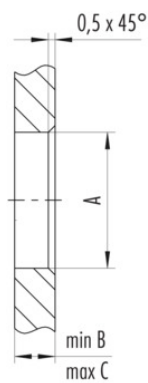
1. Einbauvorschlag

Mit Fläche als Verdrehenschutz



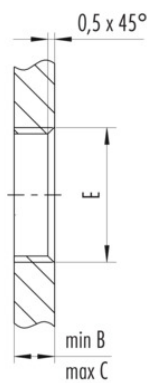
2. Einbauvorschlag

Mit Durchgangsbohrung



3. Einbauvorschlag

Mit Gewinde, einschraubbar



Gewinde E	A	B	C	D
M8 x 1	8,1	2,0	3,5	7,1
M10 x 0,75	10,1	2,0	6,5	9,1
M12 x 1	12,1	2,5	4,5	10,0

Anzugsdrehmoment 1 Nm

Product description	M8 male angled panel mount connector, Contacts: 4, shieldable, dip-solder, IP67, front mounting
Area	M8 series 718
Order number	86 6319 1121 00004

Security notices

The connectors have been developed for applications in plant engineering, control and electrical equipment construction. The user is responsible for checking whether the connectors can also be used in other areas of application.

Plug connectors with enclosure protection IP 67 and IP 68 are not suitable for use under water. When used outdoors, the plug connectors must be protected separately against corrosion. For further information on the IP protection classes, please refer to the "Technical Information" download centre.