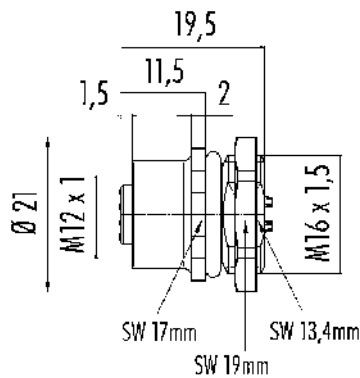


Product description	M12-A Female panel mount connector, Contacts: 4, unshielded, solder, IP67, UL, M16x1.5
Area	M12-A series 763
Part no.	86 4332 1002 00004

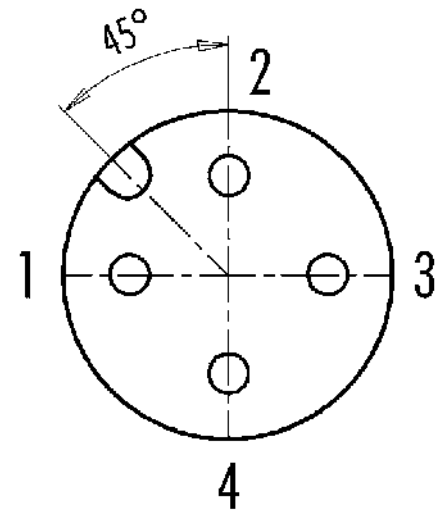
**Illustration**



**Scale drawing**



**Contact arrangement (Plug-in side)**



You can find the assembly instructions on the next page.

**Technical data**

General features

Part no.	<b>86 4332 1002 00004</b>
Connector design	Female panel mount connector
Version	Connector socket straight
Connector locking system	screw
Termination	solder
Degree of protection	IP67
Cross-sectional area	0.34 mm <sup>2</sup> / AWG 22
Temperature range from/to	-40 °C / 85 °C
Mechanical operation	> 100 Mating cycles
Weight (g)	7.00
Customs tariff number	85369010

Electrical parameters

Rated voltage	250 V
Rated impulse voltage	2500 V
Rated current (40 °C)	4 A (3 A UL)
Insulation resistance	> 10 <sup>9</sup> Ω
Pollution degree	3
Overvoltage category	II
Insulating material group	III

Product description	M12-A Female panel mount connector, Contacts: 4, unshielded, solder, IP67, UL, M16x1.5
Area	M12-A series 763
Part no.	86 4332 1002 00004

EMC compliance unshielded

### Material

Housing material	PA
Contact body material	PA black
Contact material	CuSn (bronze)
Contact plating	Au (gold)
REACH SVHC	CAS 7439-92-1 (Lead)
SCIP number	SCIP-number not available

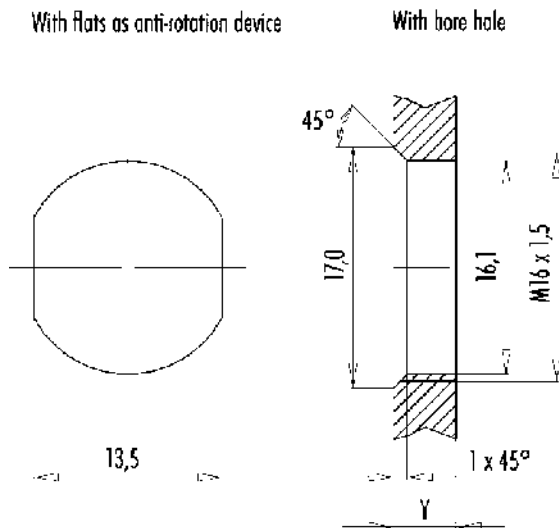
### Authorization/approvals

Approvals	UL
-----------	----

### Classifications

ETIM 9.0	EC003569
----------	----------

### Assembly instructions / Panel cut-out



### Tightening moment

Metall housing/Plastic housing 1,25 Nm

Thickness of wall Y (mm)		
Version	min (mm)	max (mm)
Fastened from rear	2	3,5
Front fastened	2	4,5
positioning possible <sup>1)</sup>	2	3,5
Screw clamp	2	3,5
Thread M12 x 1	2	3,0
Thread M14 x 1 <sup>2)</sup>	<sup>3)</sup> 1,5/ <sup>4)</sup> 2	6,5

### Notes

- <sup>1)</sup> Do not attach a chamfer
- <sup>2)</sup> Wall thickness:  
use nut 38 5385 100 001 up to 1,5 mm,  
>1,5 mm cut thread
- <sup>3)</sup> Nut
- <sup>4)</sup> Thread in wall of housing

Installation direction: o-ring sits on chamfer.

Product description	<b>M12-A Female panel mount connector, Contacts: 4, unshielded, solder, IP67, UL, M16x1.5</b>
-	-
Area	<b>M12-A series 763</b>
Part no.	<b>86 4332 1002 00004</b>

### Security notices

The connector must not be plugged or unplugged under load. Non-observance and improper use can result in personal injury.

The connectors have been developed for applications in plant engineering, control and electrical equipment construction. The user is responsible for checking whether the connectors can also be used in other areas of application.

The user must take suitable safety precautions to ensure that the connector cannot be accidentally disconnected.

Plug connectors with enclosure protection IP67 and IP68 are not suitable for use under water. For further information on the IP protection classes, please refer to the "Technical Information" download centre.