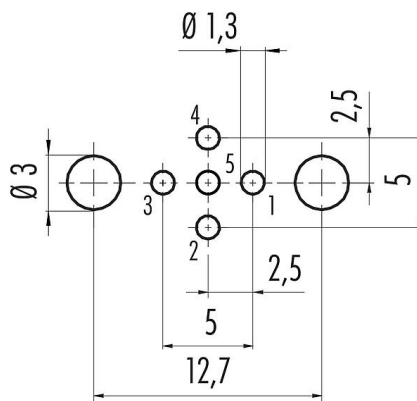


Product description	<b>M12-A Female panel mount connector, Contacts: 5, shieldable, THT, IP68, UL, PG 9, front fastened</b>
Area	<b>M12-A series 763</b>
Part no.	<b>86 0532 1121 00005</b>

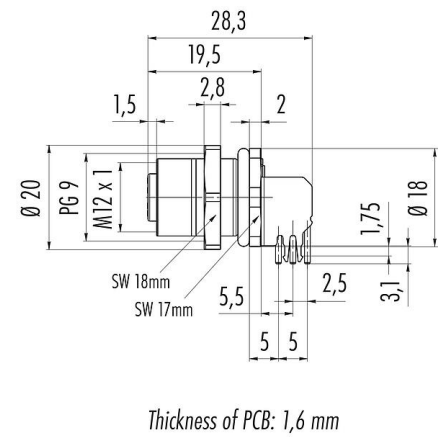
**Illustration**



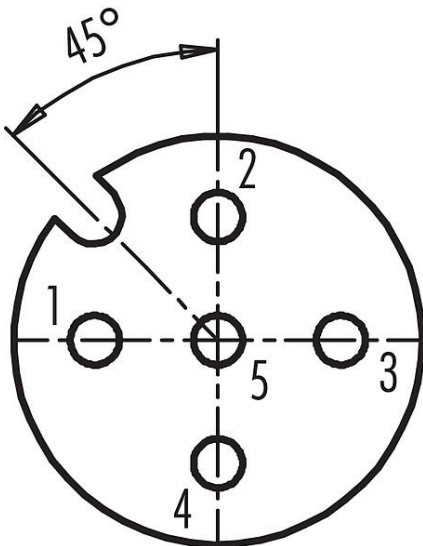
**Conductor layout**



**Scale drawing**



**Contact arrangement (Plug-in side)**



You can find the assembly instructions on the next page.

**Technical data**

Product description	<b>M12-A Female panel mount connector, Contacts: 5, shieldable, THT, IP68, UL, PG 9, front fastened</b>
Area	<b>M12-A series 763</b>
Part no.	<b>86 0532 1121 00005</b>

## General features

Part no.	<b>86 0532 1121 00005</b>
	Alternative part no.: 09 3442 605 05
Notice	Please note that, due to the change from the old to the new order number, there may be deviations in the technical specifications. For questions about product details, please use the 'Contact Customer Service' form on the right.
Connector design	Female panel mount connector
Version	Connector socket straight
Connector locking system	screw
Termination	THT
Degree of protection	IP68
Temperature range from/to	-40 °C / 85 °C
Mechanical operation	> 100 Mating cycles
Weight (g)	17.65
Customs tariff number	85369010

## Electrical parameters

Rated voltage	60 V
Rated impulse voltage	1500 V
Rated current (40 °C)	4 A (3 A UL)
Insulation resistance	> 10 <sup>8</sup> Ω
Pollution degree	3
Overvoltage category	II
Insulating material group	III
EMC compliance	shieldable
Shield connection	Shielding plate

## Material

Housing material	CuZn (Brass nickel plated)
Contact body material	PA black
Contact material	CuSn (bronze)
Contact plating	Au (gold)
REACH SVHC	CAS 7439-92-1 (Lead)
SCIP number	905c5890-2586-492a-8e2e-b058c7986581

## Authorization/approvals

Approvals	UL
-----------	----

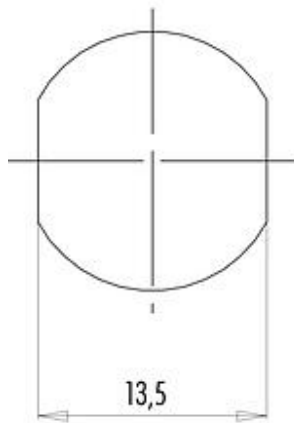
## Classifications

eCl@ss 11.1	27-44-01-09
ETIM 7.0	EC003569

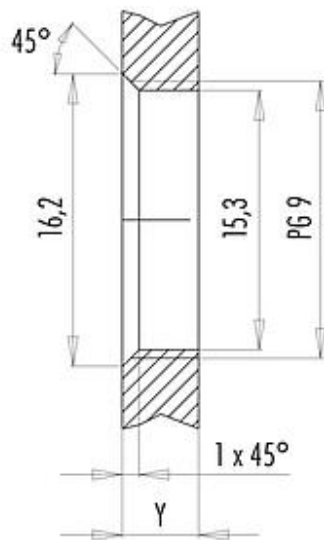
Product description **M12-A Female panel mount connector, Contacts: 5, shieldable, THT, IP68, UL, PG 9, front fastened**  
 Area **M12-A series 763**  
 Part no. **86 0532 1121 00005**

**Assembly instructions / Panel cut-out**

With flats as anti-rotation device



With bore hole



Installation direction: o-ring sits on chamfer.

**Tightening moment**

Metall housing/Plastic housing 1,25 Nm

Thickness of wall Y (mm)		
Version	min (mm)	max (mm)
Fastened from rear	2	3,5
Front fastened	2	4,5
positioning possible <sup>1)</sup>	2	3,5
Screw clamp	2	3,5
Thread M12 x 1	2	3,0
Thread M14 x 1 <sup>2)</sup>	<sup>3)</sup> 1,5/ <sup>4)</sup> 2	6,5

**Notes**

- <sup>1)</sup> Do not attach a chamfer
- <sup>2)</sup> Wall thickness:  
use nut 38 5385 100 001 up to 1,5 mm,  
>1,5 mm cut thread
- <sup>3)</sup> Nut
- <sup>4)</sup> Thread in wall of housing

Product description	<b>M12-A Female panel mount connector, Contacts: 5, shieldable, THT, IP68, UL, PG 9, front fastened</b>
Area	<b>M12-A series 763</b>
Part no.	<b>86 0532 1121 00005</b>

### **General Disclaim Notice**

The connector must not be plugged or unplugged under load. Non-observance and improper use can result in personal injury.

The connectors have been developed for applications in plant engineering, control and electrical equipment construction. The user is responsible for checking whether the connectors can also be used in other areas of application.

The user must take suitable safety precautions to ensure that the connector cannot be accidentally disconnected.

Plug connectors with enclosure protection IP67 and IP68 are not suitable for use under water. For further information on the IP protection classes, please refer to the "Technical Information" download centre.