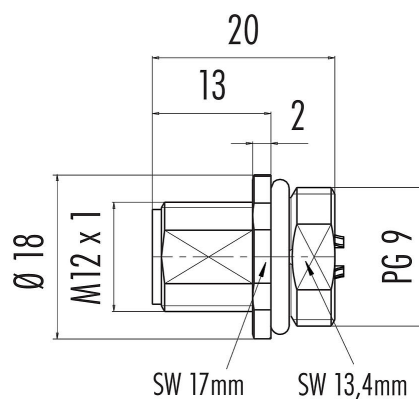


Product description	M12-A male panel mount connector, Contacts: 4, unshielded, solder, IP68, UL, PG9
Area	M12-A series 763
Order number	86 0131 0002 00004

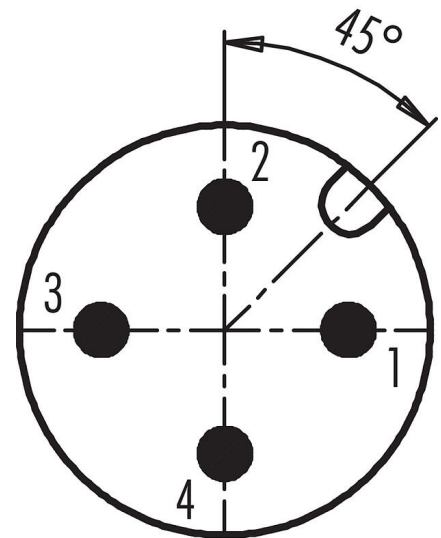
Illustration



Scale drawing



Contact arrangement (Plug-in side)



You can find the assembly instructions on the next page.

Technical data

General features

Order number	86 0131 0002 00004 Alternative order number: 09 3431 77 04
Notice	Please note that, due to the change from the old to the new order number, there may be deviations in the technical specifications. For questions about product details, please use the 'Contact Customer Service' form on the right.
Connector design	male panel mount connector
Version	connector male straight
Connector locking system	screw
Termination	solder
Degree of protection	IP68
Cross-sectional area	0.34 mm ² / AWG 22
Temperature range from/to	-40 °C / 85 °C
Mechanical operation	> 100 Mating cycles
Customs tariff number	85369010

Electrical parameters

Rated voltage	250 V
---------------	-------

Product data sheet

Automation technology - sensors and actuators



Product description	M12-A male panel mount connector, Contacts: 4, unshielded, solder, IP68, UL, PG9
Area	M12-A series 763
Order number	86 0131 0002 00004

Rated impulse voltage	2500 V
Rated current (40 °C)	4 A (3 A UL)
Insulation resistance	> 10 ⁸ Ω
Pollution degree	3
Overvoltage category	II
Insulating material group	II
EMC compliance	unshielded

Material

Housing material	Zinc die-cast nickel-plated
Contact body material	PA black
Contact material	CuZn (brass)
Contact plating	Au (gold)
REACH SVHC	CAS 7439-92-1 (Lead)
SCIP number	20d994c4-c38f-4143-b30d-ef499d678f4b

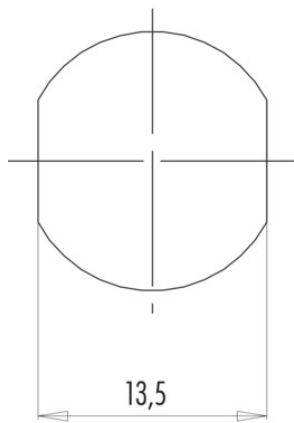
Authorization/approvals

Approvals	UL
-----------	----

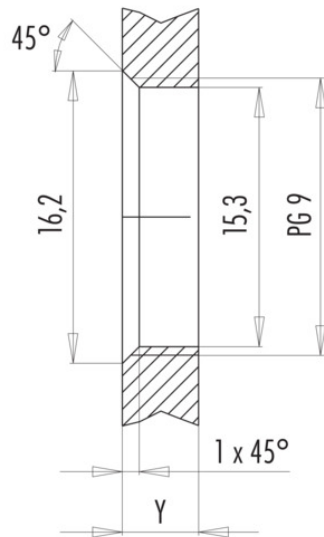
Product description M12-A male panel mount connector, Contacts: 4, unshielded, solder, IP68, UL, PG9
Area M12-A series 763
Order number 86 0131 0002 00004

Assembly instructions / Panel cut-out

With flats as anti-rotation device



With bore hole



Installation direction: o-ring sits on chamfer.

Tightening moment

Metall housing/Plastic housing 1,25 Nm

Thickness of wall Y (mm)		
Version	min (mm)	max (mm)
Fastened from rear	2	3,5
Front fastened	2	4,5
positioning possible ¹⁾	2	3,5
Screw clamp	2	3,5
Thread M12 x 1	2	3,0
Thread M14 x 1 ²⁾	³⁾ 1,5/ ⁴⁾ 2	6,5

Notes

- ¹⁾ Do not attach a chamfer
- ²⁾ Wall thickness:
use locknut 01-5385 up to 1,5 mm,
>1,5 mm cut thread
- ³⁾ Nut
- ⁴⁾ Thread in wall of housing

Product description	M12-A male panel mount connector, Contacts: 4, unshielded, solder, IP68, UL, PG9
Area	M12-A series 763
Order number	86 0131 0002 00004

Security notices

The connector must not be plugged or unplugged under load. Non-observance and improper use can result in personal injury.

The connectors have been developed for applications in plant engineering, control and electrical equipment construction. The user is responsible for checking whether the connectors can also be used in other areas of application.

Plug connectors with enclosure protection IP 67 and IP 68 are not suitable for use under water. When used outdoors, the plug connectors must be protected separately against corrosion. For further information on the IP protection classes, please refer to the "Technical Information" download centre.