

PLEASE CHECK WWW.MOLEX.COM FOR LATEST PART INFORMATION

Part Number: [85999-3256](#)
Status: **Active**
Overview: [Modular Plugs - Jacks](#)
Description: Blind Plug Dust Cover for 6 Position Modular Jack

Documents:

[3D Model](#) [RoHS Certificate of Compliance \(PDF\)](#)
[Drawing \(PDF\)](#)

General

Product Family	Accessories
Series	90075
Component Type	Dust Cover
Overview	Modular Plugs - Jacks
Product Name	RJ11
UPC	800754867412

Physical

Circuits (Loaded)	6
Net Weight	1.230/g
Packaging Type	Bag
Temperature Range - Operating	-40°C to +80°C

Material Info

Reference - Drawing Numbers

Sales Drawing	SD-85999-056
---------------	--------------

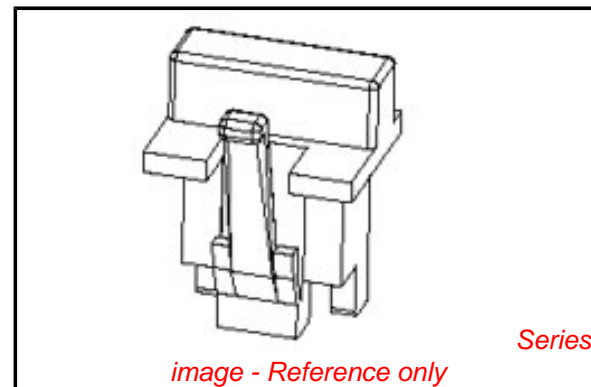


image - Reference only

EU RoHS

**ELV and RoHS
Compliant**

REACH SVHC

Not Reviewed

Low-Halogen Status

Low-Halogen

China RoHS



**Need more information on product
environmental compliance?**

Email productcompliance@molex.com
 For a multiple part number RoHS Certificate of
 Compliance, [click here](#)

Please visit the [Contact Us](#) section for any
 non-product compliance questions.

Search Parts in this Series

[90075Series](#)

Use With

6 Position Modular Jacks

PLEASE CHECK WWW.MOLEX.COM FOR LATEST PART INFORMATION