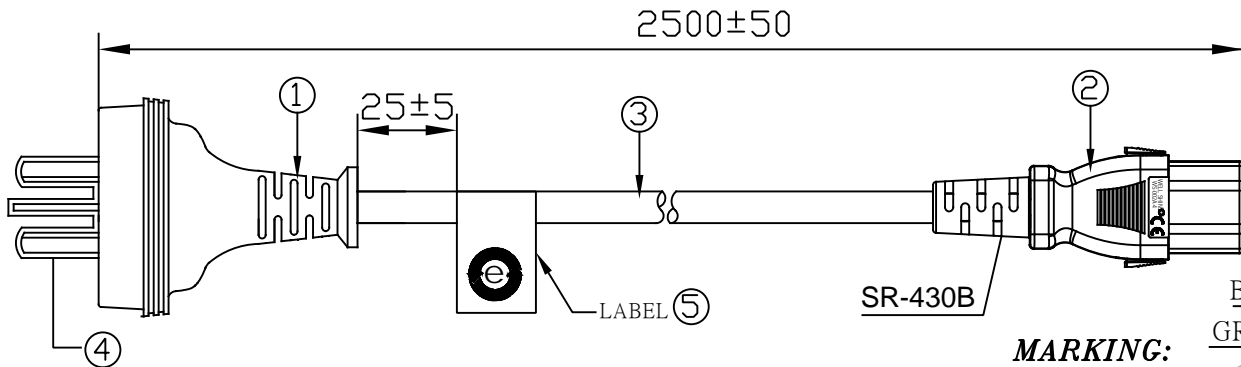
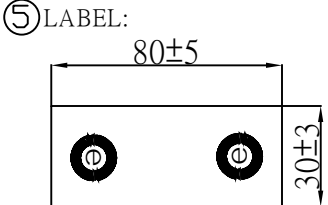
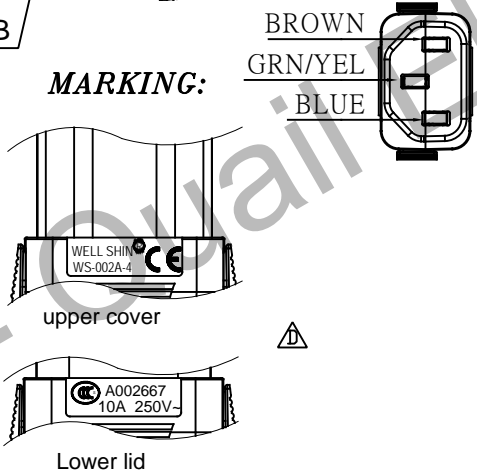
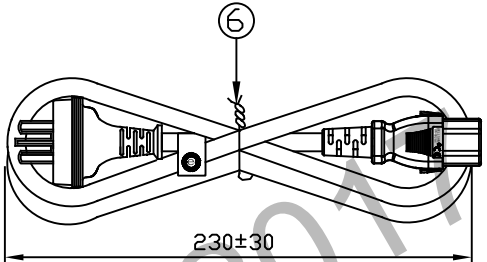
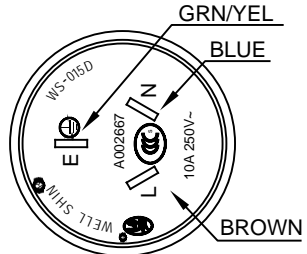


CUSTOMER:	P/N: 8590.098AL	REV.	APPROVED BY:
-----------	-----------------	------	--------------

REVISIONS		
REV.	DESCRIPTION	DATE
△		2014/11/19
△		2015/10/12
△		2017/01/12
△	Correction of the tail	2017/05/17

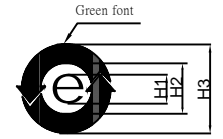


NOTES:  
1. RoHS shown on the carton



GB 15934-2008 CHINA

IEC-60320-C13  
AUTO-LOCK



Height ratio:H1:H2:H3=5:8:12

⑥	Cable tie	BLACK	1
⑤	LABEL	---	1
④	Plastic cap	WHITE	1
③	60227 IEC53(RVV)300/500 3*1.0MMSQ	BLACK	1
②	WS-002A-4 10 (A) 250 (V)	BLACK	1
①	WS-015D 10 (A) 250 (V)	BLACK	1
ITEM	DESCRIPTION	COLOR	Q'TY

SIGNATURE		<b>QUAIL ELECTRONICS, INC.</b> <a href="http://www.quail.com">http://www.quail.com</a>	
SAFETY ENGINEER:			
MANAGER BY:		PRODUCT NO: 015D+002A-4	DATE: 2017/05/17
CHECKED BY:		UNIT: mm	SHEET: 1 OF 1
DRAWN BY:		DWG NO: 0096-4856	
			REV. D