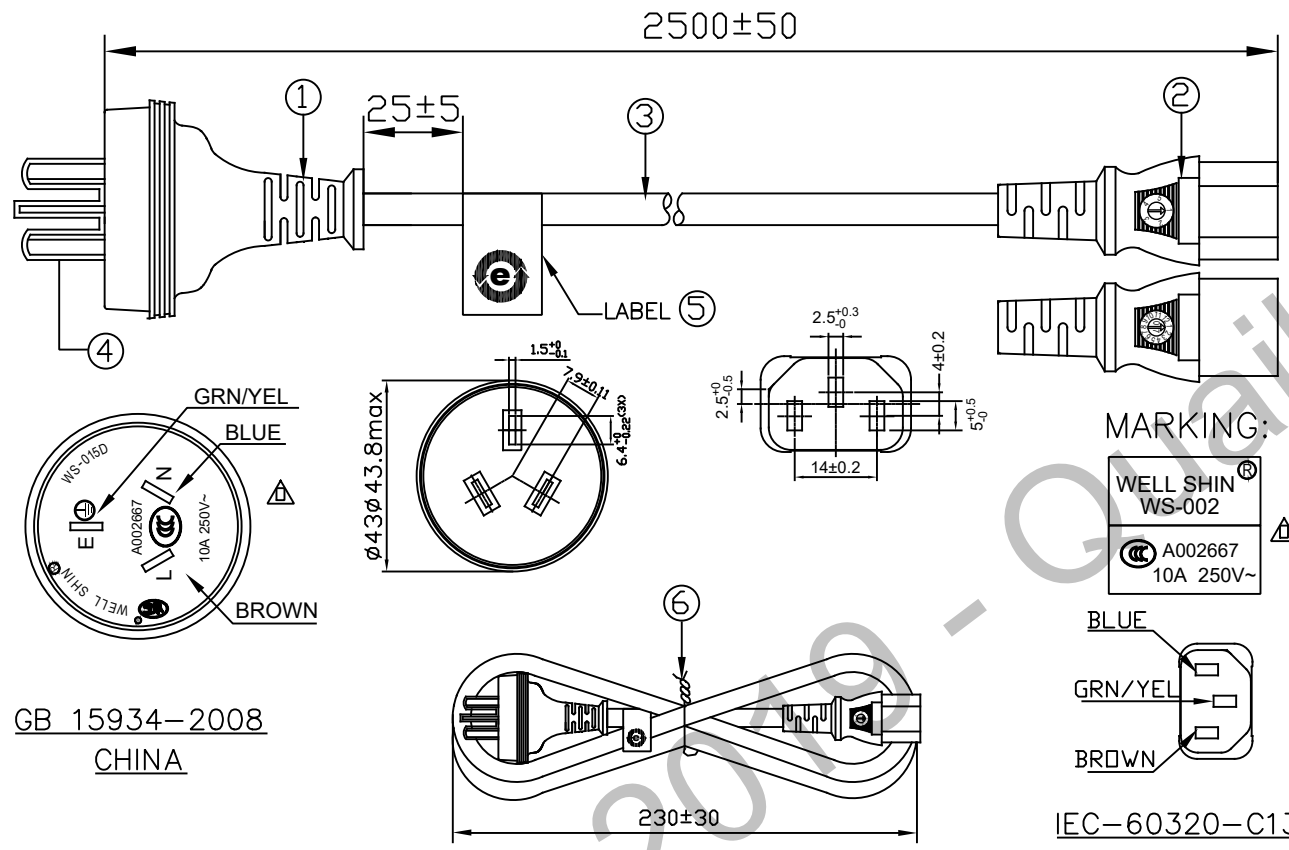
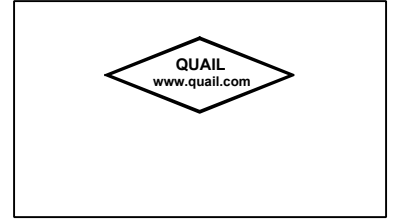


CUSTOMER:	P/N: 8590.098	REV.	APPROVED BY:
-----------	---------------	------	--------------

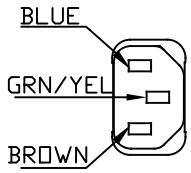
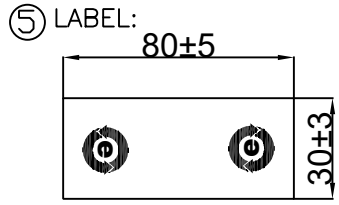
REVISIONS		
REV.	DESCRIPTION	DATE
△		2013/10/07
△		2017/03/29
△		2017/10/23
△	Head and tail CCC printing delete S	2019/01/16



- NOTES:**
1. Need to comply with China RoHS standards.
 2. Stick the Chinese RoHS label, PVC material, White underside, green font and circle.
 3. ZH(Zhang Hwa) factory begin from revision F
 4. RoHS shown on the carton
 5. The front of the outer box, the content is as follows:



MARKING:
 WELL SHIN®
 WS-002
 A002667
 10A 250V~



IEC-60320-C13

GB 15934-2008
 CHINA

ITEM	DESCRIPTION	COLOR	Q'TY
⑥	Cable tie	BLACK	1
⑤	LABEL	---	1
④	protective case	WHITE	1
③	60227 IEC53(RVV)300/500 3G 1.0MMSQ APPROVAL : CCC	BLACK	1
②	WS-002 10 (A) 250(V) APPROVAL : CCC	BLACK	1
①	WS-015D 10 (A) 250(V) APPROVAL : CCC	BLACK	1

SIGNATURE		QUAIL ELECTRONICS, INC. http://www.quail.com	
SAFETY ENGINEER:			
MANAGER BY:		PRODUCT NO.: 015D+002-1	DATE: 2019/01/16
CHECKED BY:		UNIT: mm	SHEET: 1 OF 1
DRAWN BY:		DWG NO: 0096-0163	
			REV. O

