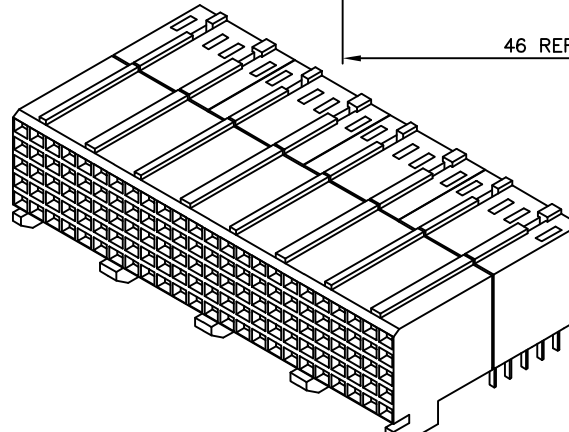
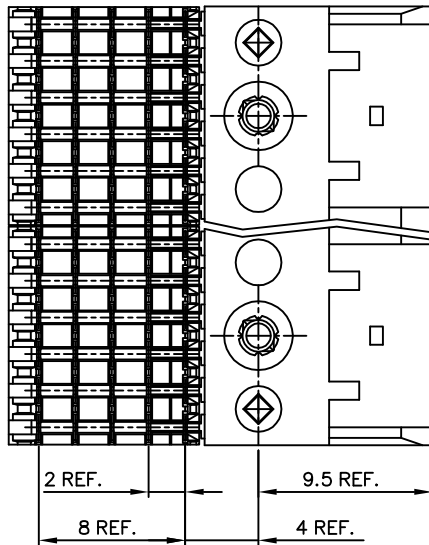
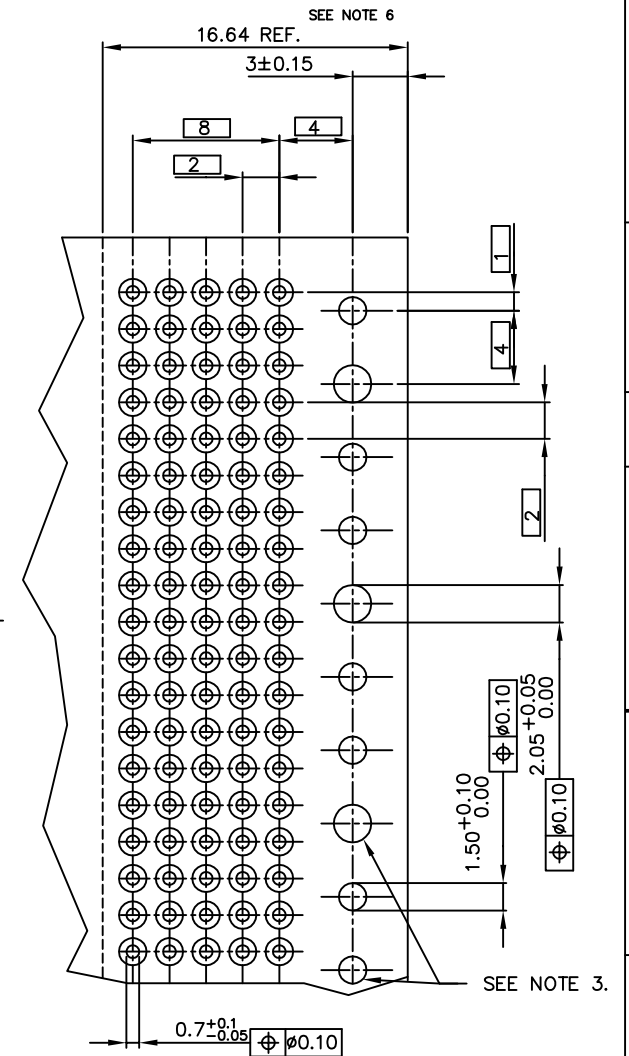
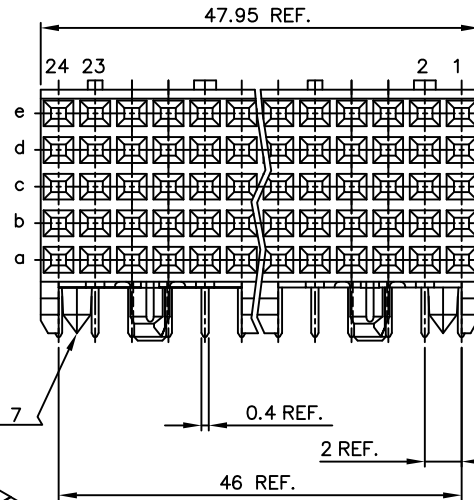
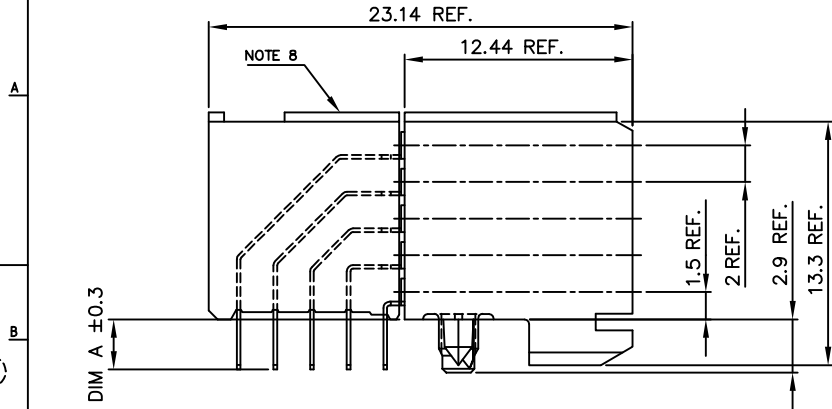


PLATING CONTACT AREA:	
DASH NR:	PERFORMANCE LEVEL:
-1YY/1YYLF	TELCORDIA CO
-2YY/2YYLF	CUSTOMER SPECIAL
-3YY/3YYLF	CUSTOMER SPECIAL
-9YY/9YYLF	TELCORDIA CO

PC BOARD VERSIONS			
PRODUCT NR:	PCB THICKNESS	DIM A	LOADING INFO.
85865-X02/X02LF	1.6	2.90	FULL LOADED
85865-X12/X12LF	2.4	3.53	FULL LOADED



- NOTES:
- BODY MAT'L: LIQUID CRYSTAL POLYMER 30% GLASS
FLAME RETARDANT ACC. UL 94-V0
 - TERMINAL MATERIAL: PHOSPHOR BRONZE.
 - INDICATED HOLES ARE UNPLATED.
 - PLATING OF SOLDER TAILS 2-8 μ m SnPb 90-97 OR 2-8 μ m PURE Sn FOR LEAD FREE.
 - PRODUCT MARKING: PART NUMBER & BATCH ID.
 - SET BACK FOR TAIL BLOCK
 - DIAMOND LOCATION PEG ARE ONLY EXISTED ON THE BOTH SIDES OF PRODUCT.
 - TOP SURFACE OF PRESS BLOCK MAY EXTEND UP TO 0.4MM HIGHER THAN HOUSING. THIS MAY AFFECT THE TAIL LENGTH BEFORE APPLICATION TO A BOARD.
 - THIS PRODUCT MEETS EUROPEAN UNION DIRECTIVES AND OTHER COUNTRY REGULATIONS AS DESCRIBED IN GS-22-008 .
 - THE HOUSING WILL WITHSTAND EXPOSURE TO 260DEGREE PEAK TEMPERATURE FOR 10 SECONDS IN A WAVE SOLDER APPLICATION.

RECOMMENDED HOLE PATTERN,
COMPONENT SIDE.

mat'l. code		tolerances unless otherwise specified		CUSTOMER COPY		FCI ELECTRONICS	
SEE NOTES				projection		www.falconconnect.com	
H	004-004	Clu	040623	linear		title	
J	004-010	Clu	041223			5 ROW R.A. S.T.B. SIGNAL RECEPT. 48mm MOD. P.P.	
K	0607-0189	Cent	05/15/07	angles		product family	
		dr	R. VISSCHERS	941005	mm	METRAL (tm)	
E	003-0038	Jeff	030412	engr	E. FEIJEN	941006	code
F	T03-0430	Jeff	031026	chr	E. FEIJEN	941003	size
G	004-0038	Clu	040603	app	E. FEIJEN	941003	dwg no
sheet	revision	K		scale		5:1	
index	sheet	1		A2		85865	
						213	
						sheet 1 of 1	

PC BOARD THICKNESS \approx 0.2
(SEE TABLE)