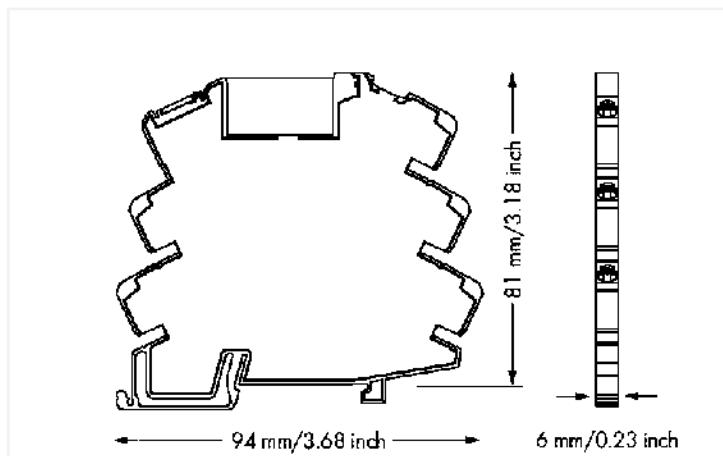
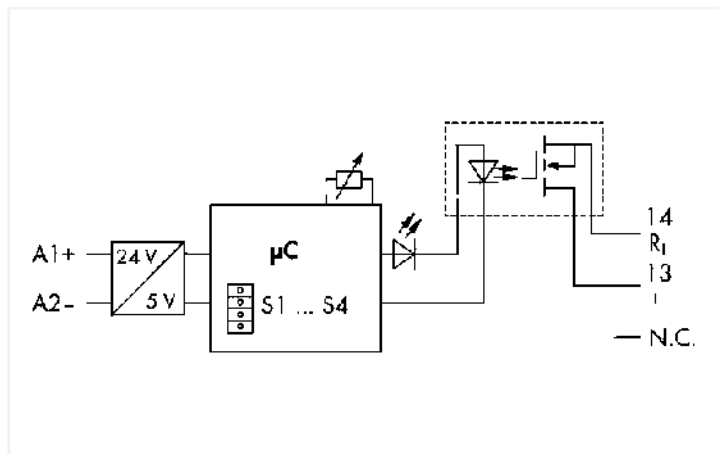


Data Sheet | Item Number: 857-624

Solid-state timer relay module; Nominal input voltage: 24 VDC; Output voltage range: 0 ... 24 VDC; Limiting continuous current: 2 A; 2-wire connection; Multifunction/Multitime; Yellow status indicator; Module width: 6 mm



<https://www.wago.com/857-624>



Dimensions in mm

Features:

- 4 functions
- Function and time range adjustable via DIP switch

Notes

Note

Optocouplers and solid state relays are designed for use in signal processing networks, which are not supplied by the low-voltage power supply networks.

Technical data

Control Circuit

Nominal input voltage U_N	DC 24 V
Input voltage range	-15 ... +30 %
Nominal input current at U_N	10 mA
Time range	adjustable: 0.1 ... 10 s; 3 ... 300 s; 0.3 ... 30 min; 3 ... 300 min
Reset time	50 ms
Repeat accuracy	1 %

Control Circuit

Functions	On-delay Single-shot leading edge On-delay and single-shot leading edge (1 s fixed) Flashing
-----------	---

Load circuit

Circuit type	2-wire connection
Limiting continuous current	2 A
Nominal output voltage	DC 24 V
Output voltage range	DC 0 ... 30 V
Voltage drop	≤ 0.12 VDC
Leakage current at rated voltage	≤ 1 μA
Switching current (min.)	50 μA
Turn-on time	≤ 100 μs
Turn-off time	≤ 2 ms

Signaling

Status indicator	Yellow LED
------------------	------------

Safety and protection

Dielectric strength (control/load circuit) (AC, 1 min)	3.75 kVrms
Protection type	IP20

Connection data

Connection technology	Push-in CAGE CLAMP®
Solid conductor	0.34 ... 2.5 mm ² / 22 ... 14 AWG
Fine-stranded conductor	0.34 ... 2.5 mm ² / 22 ... 14 AWG
Strip length	9 ... 10 mm / 0.35 ... 0.39 inches

Physical data

Width	6 mm / 0.236 inches
Height	94 mm / 3.701 inches
Depth from upper-edge of DIN-rail	81 mm / 3.189 inches

Mechanical Data

Mounting type	DIN-35 rail
---------------	-------------

Material Data

Fire load	0.497 MJ
Weight	29.5 g

Environmental requirements

Ambient temperature (operation at U _N)	-20 ... +60 °C
Surrounding air temperature (storage)	-40 ... +70 °C
Processing temperature	-25 ... +50 °C
Relative humidity	5 ... 95 % (no condensation permissible)
Operating altitude (max.)	2000 m

Standards and specifications

Standards/specifications	EN 61812-1 EN 61373 EN 50121-3-2
--------------------------	--

Basic relay

WAGO Basic Relay	857-161
------------------	---------

Commercial data

Product Group	6 (INTERFACE ELECTRONIC)
eCl@ss 10.0	27-37-16-05
eCl@ss 9.0	27-37-16-05
ETIM 8.0	EC001439
ETIM 7.0	EC001439
PU (SPU)	1 pcs
Packaging type	Bag
Country of origin	DE
GTIN	4050821565680
Customs tariff number	85364900990

Approvals / Certificates

General approvals



Approval	Standard	Certificate Name
EAC Brjansker Zertifizierungs- stelle	TP TC 020/2011	EAC_Certificate_RU_C- DE.AM02.B.00115_19
UL UL International Nether- lands B.V. (ORDINARY LO- CATIONS)	UL 508	E175199 Sec.4

Downloads

Environmental Product Compliance

Compliance Search

Environmental Product
Compliance 857-624



Documentation

Bid Text			
857-624	19.02.2019	xml 4.69 KB	↓
857-624	20.02.2019	docx 16.72 KB	↓

Instruction Leaflet			
Zeitrelaismodul; Eingangsnennspannung DC 24 V	V 2.0.0 10.03.2022	pdf 2021.26 KB	↓

CAD/CAE-Data	
CAD data	CAE data
2D/3D Models 857-624 ↓	EPLAN Data Portal 857-624 ↓
	WSCAD Universe 857-624 ↓
	ZUKEN Portal 857-624 ↓

1 Compatible Products

1.1 Optional Accessories

1.1.1 Basic relay

1.1.1.1 Basic solid-state relay



Item No.: 857-161
Basic solid-state relay; Nominal input voltage: 24 VDC; Output voltage range: 0 ... 30 VDC; Limiting continuous current: 3 A

1.1.2 Ferrule

1.1.2.1 Ferrule



Item No.: 216-241
Ferrule; Sleeve for 0.5 mm² / 20 AWG; insulated; electro-tin plated; electrolytic copper; gastight crimped; acc. to DIN 46228, Part 4/09.90; white



Item No.: 216-242
Ferrule; Sleeve for 0.75 mm² / 18 AWG; insulated; electro-tin plated; electrolytic copper; gastight crimped; acc. to DIN 46228, Part 4/09.90; gray



Item No.: 216-243
Ferrule; Sleeve for 1 mm² / AWG 18; insulated; electro-tin plated; electrolytic copper; gastight crimped; acc. to DIN 46228, Part 4/09.90; red



Item No.: 216-244
Ferrule; Sleeve for 1.5 mm² / AWG 16; insulated; electro-tin plated; electrolytic copper; gastight crimped; acc. to DIN 46228, Part 4/09.90; black

1.1.3 Jumper

1.1.3.1 Jumper



Item No.: 281-482
Jumper; 2-way; insulated; gray



Item No.: 859-410/000-006
Jumper; for jumper slot; 10-way; insulated; blue



Item No.: 859-410
Jumper; for jumper slot; 10-way; insulated; light gray



Item No.: 859-410/000-005
Jumper; for jumper slot; 10-way; insulated; red



Item No.: 859-410/000-029
Jumper; for jumper slot; 10-way; insulated; yellow



Item No.: 859-402/000-006
Jumper; for jumper slot; 2-way; insulated; blue



Item No.: 859-402
Jumper; for jumper slot; 2-way; insulated; light gray



Item No.: 859-402/000-005
Jumper; for jumper slot; 2-way; insulated; red

1.1.3.1 Jumper



Item No.: 859-402/000-029
 Jumper; for jumper slot; 2-way; insulated; yellow

Item No.: 859-403/000-006
 Jumper; for jumper slot; 3-way; insulated; blue

Item No.: 859-403
 Jumper; for jumper slot; 3-way; insulated; light gray

Item No.: 859-403/000-005
 Jumper; for jumper slot; 3-way; insulated; red



Item No.: 859-403/000-029
 Jumper; for jumper slot; 3-way; insulated; yellow

Item No.: 859-404/000-006
 Jumper; for jumper slot; 4-way; insulated; blue

Item No.: 859-404
 Jumper; for jumper slot; 4-way; insulated; light gray

Item No.: 859-404/000-005
 Jumper; for jumper slot; 4-way; insulated; red



Item No.: 859-404/000-029
 Jumper; for jumper slot; 4-way; insulated; yellow

Item No.: 859-405/000-006
 Jumper; for jumper slot; 5-way; insulated; blue

Item No.: 859-405
 Jumper; for jumper slot; 5-way; insulated; light gray

Item No.: 859-405/000-005
 Jumper; for jumper slot; 5-way; insulated; red



Item No.: 859-405/000-029
 Jumper; for jumper slot; 5-way; insulated; yellow

Item No.: 859-406/000-006
 Jumper; for jumper slot; 6-way; insulated; blue

Item No.: 859-406
 Jumper; for jumper slot; 6-way; insulated; light gray

Item No.: 859-406/000-005
 Jumper; for jumper slot; 6-way; insulated; red



Item No.: 859-406/000-029
 Jumper; for jumper slot; 6-way; insulated; signal yellow

Item No.: 859-407/000-006
 Jumper; for jumper slot; 7-way; insulated; blue

Item No.: 859-407
 Jumper; for jumper slot; 7-way; insulated; light gray

Item No.: 859-407/000-005
 Jumper; for jumper slot; 7-way; insulated; red



Item No.: 859-407/000-029
 Jumper; for jumper slot; 7-way; insulated; yellow

Item No.: 859-408/000-006
 Jumper; for jumper slot; 8-way; insulated; blue

Item No.: 859-408
 Jumper; for jumper slot; 8-way; insulated; light gray

Item No.: 859-408/000-005
 Jumper; for jumper slot; 8-way; insulated; red



Item No.: 859-408/000-029
 Jumper; for jumper slot; 8-way; insulated; yellow

Item No.: 859-409/000-006
 Jumper; for jumper slot; 9-way; insulated; blue

Item No.: 859-409
 Jumper; for jumper slot; 9-way; insulated; light gray

Item No.: 859-409/000-005
 Jumper; for jumper slot; 9-way; insulated; red



Item No.: 859-409/000-029
 Jumper; for jumper slot; 9-way; insulated; yellow

1.1.4 Marking

1.1.4.1 Double marker carrier



Item No.: 209-128
 Adaptor; gray

1.1.4.2 Group marker carrier



Item No.: 249-105
 Group marker carrier; gray

1.1.4.3 Marker

Item No.: 209-183
Marker card; white

Item No.: 793-5501
WMB marking card; as card; for terminal block width 5 - 17.5 mm; stretchable 5 - 5.2 mm; plain; snap-on type; white

Item No.: 793-502
WMB marking card; as card; MARKED; 1 ... 10 (10x); not stretchable; Horizontal marking; snap-on type; white

Item No.: 793-566
WMB marking card; as card; MARKED; 1 ... 50 (2x); not stretchable; Horizontal marking; snap-on type; white

Item No.: 793-503
WMB marking card; as card; MARKED; 11 ... 20 (10x); not stretchable; Horizontal marking; snap-on type; white

Item No.: 793-504
WMB marking card; as card; MARKED; 21 ... 30 (10x); not stretchable; Horizontal marking; snap-on type; white

Item No.: 793-505
WMB marking card; as card; MARKED; 31 ... 40 (10x); not stretchable; Horizontal marking; snap-on type; white

Item No.: 793-506
WMB marking card; as card; MARKED; 41 ... 50 (10x); not stretchable; Horizontal marking; snap-on type; white

Item No.: 793-501
WMB marking card; as card; not stretchable; plain; snap-on type; white

Item No.: 2009-115
WMB-Inline; for Smart Printer; 1500 pieces on roll; stretchable 5 - 5.2 mm; plain; snap-on type; white

1.1.4.4 Marking devices



Item No.: 210-110
Fiber-tip pen

1.1.4.5 Marking strip



Item No.: 2009-110
Marking strips; for Smart Printer; on reel; not stretchable; plain; snap-on type; white

1.1.4.6 Protective marker cover



Item No.: 209-184
Protection cover; transparent

1.1.5 Tool

1.1.5.1 Operating tool



Item No.: 210-720
Operating tool; Blade: 3.5 x 0.5 mm; with a partially insulated shaft; multicoloured