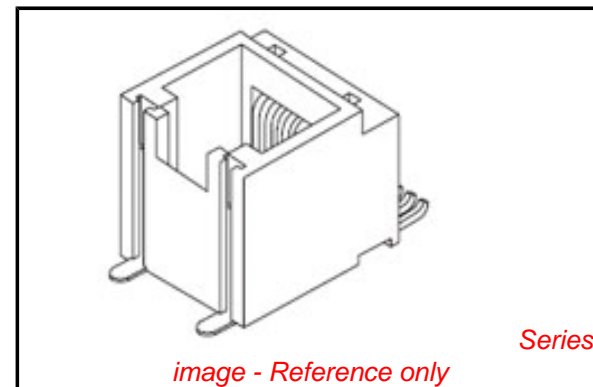


PLEASE CHECK WWW.MOLEX.COM FOR LATEST PART INFORMATION

Part Number: [85510-5025](#)
Status: **Active**
Overview: Modular Plugs - Jacks
Description: Modular Jack, Vertical, SMT, 4/4, Solder Tabs, Gold (Au), Blister on 22" Reel

Documents:

3D Model	Test Summary STR-1422 (PDF)
Drawing (PDF)	Test Summary STR-1429 (PDF)
Product Specification PS-95503-001 (PDF)	RoHS Certificate of Compliance (PDF)
Application Specification AS-85513-001 (PDF)	



Agency Certification

UL E107635

General

Product Family	Modular Jacks/Plugs
Series	85510
Comments	Small Panel Cutout
Component Type	PCB Jack
Magnetic	No
Overview	Modular Plugs - Jacks
Performance Category	3
Power over Ethernet (PoE)	N/A
Product Name	RJ11
UPC	800756824673

Physical

Color - Resin	Black
Durability (mating cycles max)	500
Flammability	94V-0
Inverted / Top Latch	N/A
Jack Height	15.70mm
Lightpipes/LEDs	None
Material - Metal	Copper Alloy
Material - Plating Mating	Gold
Material - Plating Termination	Tin
Material - Resin	High Temperature Thermoplastic
Net Weight	2647.910/mg
Orientation	Vertical (Top Entry)
PCB Locator	No
PCB Retention	Yes
Packaging Type	Embossed Tape on Reel
Pitch - Mating Interface	1.02mm
Pitch - Termination Interface	1.27mm
Ports	1
Positions / Loaded Contacts	4/4
Surface Mount Compatible (SMC)	Yes
Temperature Range - Operating	-40°C to +80°C
Termination Interface: Style	Surface Mount
Waterproof / Dustproof	No
Wire/Cable Type	N/A

Electrical

Current - Maximum per Contact	1.5A
Shielded	No
Voltage - Maximum	125V DC

EU RoHS

**ELV and RoHS
Compliant**
**REACH SVHC
Contains SVHC: No**
**Low-Halogen Status
Low-Halogen**

China RoHS



**Need more information on product
environmental compliance?**

Email productcompliance@molex.com
 For a multiple part number RoHS Certificate of
 Compliance, [click here](#)

Please visit the [Contact Us](#) section for any
 non-product compliance questions.

Search Parts in this Series

[85510Series](#)

Mates With

FCC 68 Plugs

Solder Process Data

Duration at Max. Process Temperature (seconds)	40
Lead-free Process Capability	Reflow Capable (SMT only)
Max. Cycles at Max. Process Temperature	3
Process Temperature max. C	260

Material Info

Reference - Drawing Numbers

Application Specification	AS-85513-001
Product Specification	PS-95503-001
Sales Drawing	SD-85510-002
Test Summary	STR-1422, STR-1429

This document was generated on 02/11/2013

PLEASE CHECK WWW.MOLEX.COM FOR LATEST PART INFORMATION