

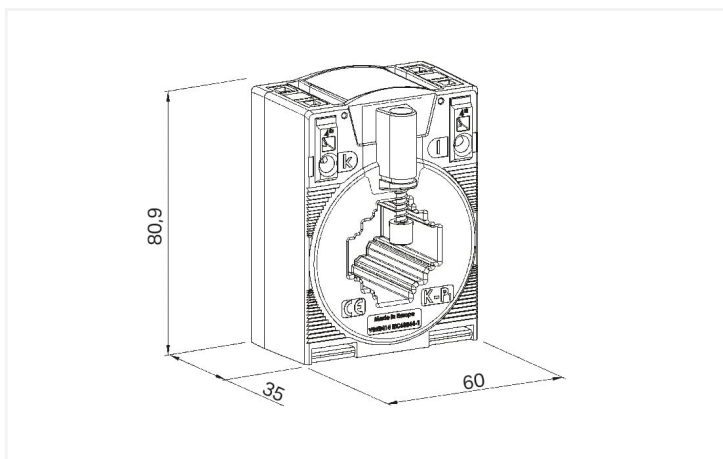
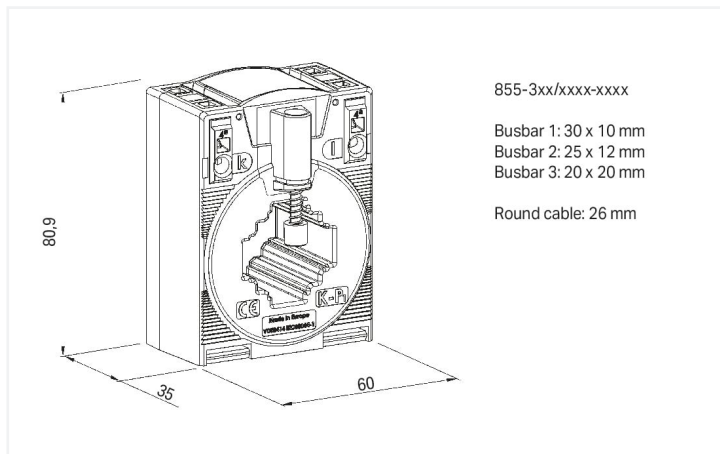
Data Sheet | Item Number: 855-305/200-501

Plug-in current transformer; Primary rated current: 200 A; Secondary rated current: 5 A; Rated power: 5 VA; Accuracy class: 1

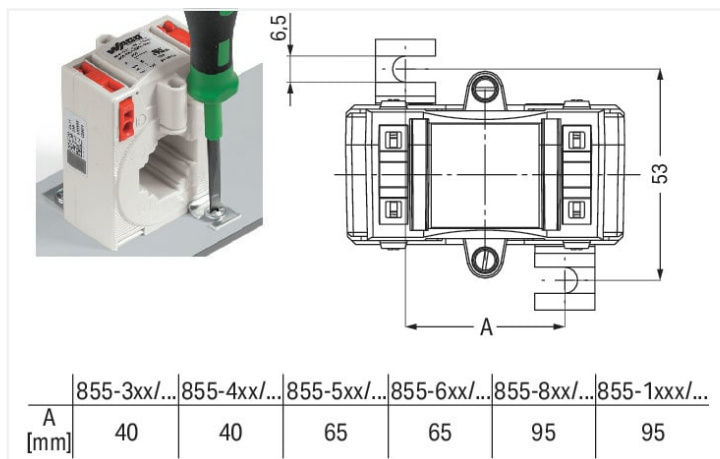
<https://www.wago.com/855-305/200-501>



Similar to illustration



Dimensions in mm



Dimensions in mm

Kurzbeschreibung:

Aufsteck-Stromwandler der Serie 855 sind induktive, nach dem Trafo-Prinzip arbeitende, 1-Leiter-Stromwandler. Aufgrund des angewendeten Messprinzips eignen sich Stromwandler dieses Typs zur ausschließlichen Verwendung in Wechselstromnetzen. **Merkmale:**

- Schraubenlose Anschluss-technik mit CAGE-CLAMP®-Anschluss
- Verschiedene Montagemöglichkeiten
- Schockfest und rüttelsicher
- Hohe mechanische Haltekräfte
- Hohe Stromfestigkeit
- Ständig mit 120 % des primären Nennstroms überlastbar
- Niederspannungsstromwandler für Betriebsspannungen bis max. 1,2 kV
- Einsatz in 690V-Netzen
- UL (Recognized Components)

Technical data

| Input | |
|-------------------|---------|
| Measured variable | Current |

| Input – current transformer | |
|--|---|
| Rated continuous thermal current I_{cth} | $1.2 \times I_N$ |
| Rated short-time thermal current I_{th} | $60 \times I_N / 1 \text{ s}$ (max. 100 kA / 1 s) |
| Overcurrent limiting factor | FS5 / FS10 (type dependent; see type plate inscription) |
| Rated frequency | 50 ... 60 Hz |
| Primary rated current | 200 A |

Output – current transformer

| | |
|-------------------------|------|
| Secondary rated current | 5 A |
| Rated power S_r | 5 VA |

Measurement error

| | |
|----------------|---|
| Accuracy class | 1 |
|----------------|---|

Safety and protection

| | |
|-------------------------------------|--------------------------|
| Test voltage | AC 6 kV; 50 Hz; 1 min |
| Highest voltage for equipment U_m | AC 1.2 kV _{rms} |

Connection data

Connection object type 1

| | |
|-------------------------|--|
| Connection technology | CAGE CLAMP® |
| Strip length | 9 ... 10 mm / 0.35 ... 0.39 inches |
| Solid conductor | 0.08 ... 4 mm ² / 28 ... 12 AWG |
| Fine-stranded conductor | 0.08 ... 4 mm ² / 28 ... 12 AWG |

Physical data

| | |
|--------|------------------------|
| Width | 60 mm / 2.362 inches |
| Height | 80.9 mm / 3.185 inches |
| Depth | 52 mm / 2.047 inches |

Mechanical data

| | |
|---------------|--|
| Mounting type | Closed current transformer Installation on mounting plate Mounting on DIN-rail via DIN-rail adapter Installation on round cable |
|---------------|--|

Material data

| | |
|------------------|-------|
| Insulation class | E |
| Fire load | 0 MJ |
| Weight | 324 g |

Environmental requirements

| | |
|---------------------------------|----------------|
| Ambient temperature (operation) | -5 ... +50 °C |
| Ambient temperature (storage) | -25 ... +70 °C |
| Operating altitude (max.) | 1000 m |

Standards and specifications

| | |
|--------------------------|---|
| Conformity marking | CE |
| Standards/specifications | EN 61869-1 EN 61869-2 UL: E356480 |

Commercial data

| | |
|-----------------------|-------------|
| eCl@ss 10.0 | 27-21-09-02 |
| eCl@ss 9.0 | 27-21-09-02 |
| ETIM 8.0 | EC002048 |
| ETIM 7.0 | EC002048 |
| PU (SPU) | 1 pcs |
| Packaging type | Box |
| Country of origin | HU |
| Customs tariff number | 85043129900 |

Environmental Product Compliance

| | |
|------------------------|-------------------------|
| RoHS Compliance Status | Compliant, No Exemption |
|------------------------|-------------------------|

Approvals / Certificates

General approvals



| Approval | Standard | Certificate Name |
|---|-----------------------------------|---------------------------------|
| EAC Brjansker Zertifizierungs- stelle | TP TC 004/2011, TP TC 020/2011 | EAC RU C-DE.AM02. B.00111/19 |
| UL Underwriters Laboratories Inc. | - | E356480 |

Declarations of conformity and manufacturer's declarations

| Approval | Standard | Certificate Name |
|---|----------|------------------|
| EU-Declaration of Confor- mity WAGO GmbH & Co. KG | - | - |
| UK-Declaration of Confor- mity WAGO GmbH & Co. KG | - | - |

Downloads

Environmental Product Compliance



Compliance Search

Environmental Product
Compliance
855-305/200-501




Documentation

Bid Text

| | | | |
|-----------------|------------|-----------------|---|
| 855-305/200-501 | 05.02.2015 | doc 31.00 KB |  |
| 855-305/200-501 | 19.02.2019 | xml 4.95 KB |  |

Instruction Leaflet

| | | |
|-----------------------|-------------------|---|
| Aufsteck-Stromwandler | pdf 1438.11 KB |  |
|-----------------------|-------------------|---|

CAD/CAE-Data

| CAD data | | CAE data | |
|---------------------------------|--|--------------------------------------|--|
| 2D/3D Models 855-305/200-501 | | EPLAN Data Portal 855-305/200-501 | |
| | | WSCAD Universe 855-305/200-501 | |
| | | ZUKEN Portal 855-305/200-501 | |

Engineering-Software

| Configuration and Commissioning Software | | | |
|--|--------------------------|---------------------|--|
| WAGO Interface Configuration Software G2 FULL | 1.00.10.01 20.01.2022 | exe 112213.07 KB | |
| WAGO Interface Configuration Software G2 SMALL | 1.00.10.01 20.01.2022 | exe 30238.22 KB | |

1 Compatible Products

1.1 Optional Accessories

1.1.1 Installation

1.1.1.1 Current transformer terminal block



Item No.: 2007-8876

Compact terminal block; for 3-phase current transformer circuit; 6,00 mm²; multicoloured



Item No.: 2007-8873

Compact terminal block; for current and voltage transformers; 6,00 mm²; multicoloured



Item No.: 2007-8874

Compact terminal block; for current and voltage transformers; 6,00 mm²; multicoloured



Item No.: 2007-8875

Compact terminal block; for current transformer circuit; 6,00 mm²; multicoloured



Item No.: 2007-8877

Compact terminal block; for current transformer circuit; 6,00 mm²; multicoloured

1.1.2 Mounting adapter

1.1.2.1 DIN-rail adapter



Item No.: 855-9900

Carrier rail adapter

1.1.2.2 Fast connection adapter



Item No.: 855-9910

Quick-mount kit

1.1.3 Signal conditioner

1.1.3.1 Current signal conditioner



Item No.: 857-551

Current signal conditioner; Current input signal; Current and voltage output signal; Digital output; Configuration via software; Supply voltage: 24 VDC; 6 mm module width



Item No.: 857-550

Current signal conditioner; Current input signal; Current and voltage output signal; Digital output; Configuration via software; Supply voltage: 24 VDC; 6 mm module width; 2,50 mm²



Item No.: 857-569

Power signal conditioner; Current and voltage input signal; Current and voltage output signal; Digital output; Configuration via software; Supply voltage: 24 VDC; 6 mm module width

1.1.3.2 Power measurement module



Item No.: 2857-570/024-005

3-Phase Power Measurement Module; 3x277/480 V/5 A; Modbus RTU; Digital output; Configuration via software; Supply voltage: 24 VDC



Item No.: 857-569

Power signal conditioner; Current and voltage input signal; Current and voltage output signal; Digital output; Configuration via software; Supply voltage: 24 VDC; 6 mm module width

1.1.3.3 Voltage signal conditioner



Item No.: 857-569

Power signal conditioner; Current and voltage input signal; Current and voltage output signal; Digital output; Configuration via software; Supply voltage: 24 VDC; 6 mm module width

1.1.4 Tool

1.1.4.1 Operating tool



Item No.: 210-720

Operating tool; Blade: 3.5 x 0.5 mm; with a partially insulated shaft; multicoloured

Installation Notes

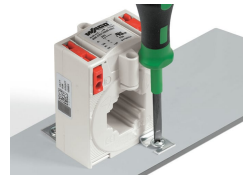
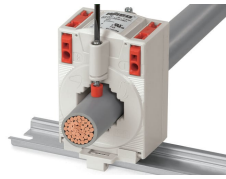
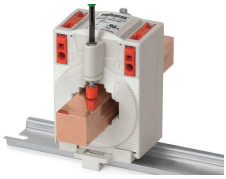
Conductor termination



Conductor termination – screwdriver actuation perpendicular to conductor entry

Conductor termination – screwdriver actuation parallel to conductor entry

Installation



Installation on copper current bar

Installation on round cable

Installation on mounting plate

Mounting on DIN-rail via 855-9900 DIN-Rail Adapter



Installation via 855-9910 Quick-Mount Kit