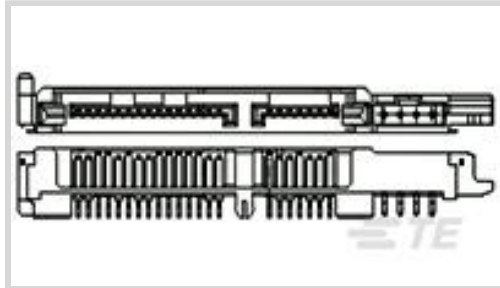




Connectors > Audio & Video Connectors > SATA & Micro SATA



SATA Connector Type: **SATA**

Connector & Housing Type: **Plug**

Connector System: **Cable-to-Board**

Number of Positions: **26**

Contact Configuration: **7P + 15P + 4P**

## Features

### Product Type Features

|                                   |                       |
|-----------------------------------|-----------------------|
| SATA Connector Type               | SATA                  |
| Connector & Housing Type          | Plug                  |
| Connector System                  | Cable-to-Board        |
| Connector & Contact Terminates To | Printed Circuit Board |

### Configuration Features

|                       |          |
|-----------------------|----------|
| Number of Positions   | 26       |
| PCB Mount Orientation | Vertical |
| Number of Rows        | 1        |
| Number of Ports       | 2        |

### Body Features

|                   |          |
|-------------------|----------|
| Connector Profile | Standard |
|-------------------|----------|

### Contact Features

|  |   |
|--|---|
| Contact Mating Area Plating Material Thickness | .12 $\mu\text{m}$ , .38 $\mu\text{m}$ [5 $\mu\text{in}$ ][15 $\mu\text{in}$ ] |
| Contact Mating Area Plating Material           | Gold  |
| PCB Contact Termination Area Plating Material  | Tin   |
| Contact Base Material                          | Copper Alloy  |
| Contact Configuration                          | 7P + 15P + 4P   |
| Contact Current Rating (Max)                   | 1.5 A   |

### Termination Features

|                                |                 |
|--------------------------------|-----------------|
| Termination Post & Tail Length | 3.6 mm[.074 in] |
|--------------------------------|-----------------|



Termination Method to Printed Circuit Board

Surface Mount

### Mechanical Attachment

PCB Mount Retention Feature Length

2.79 mm[.109 in]

Mating Alignment Type

Polarization

PCB Mount Retention

With

PCB Mount Retention Type

Boardlock

PCB Mount Location

Top

Connector Mounting Type

Board Mount

### Housing Features

Housing Material

Thermoplastic

Housing Color

Black

Centerline (Pitch)

1.27 mm, 2 mm[.05 in][.078 in]

### Dimensions

PCB Thickness (Recommended)

1.2 mm[.048 in]

Profile Height from PCB

7.38 mm[.29 in]

### Usage Conditions

Operating Temperature Range

-40 – 85 °C[-40 – 185 °F]

### Operation/Application

Circuit Application

Power &amp; Signal

### Industry Standards

UL Flammability Rating

UL 94V-0

### Packaging Features

Packaging Quantity

1176

Packaging Method

Box &amp; Tube, Tube

### Product Compliance

For compliance documentation, visit the product page on [TE.com](https://www.te.com)>

EU RoHS Directive 2011/65/EU

Compliant

EU ELV Directive 2000/53/EC

Compliant

China RoHS 2 Directive MIIT Order No 32, 2016

No Restricted Materials Above Threshold

EU REACH Regulation (EC) No. 1907/2006

Current ECHA Candidate List: JUNE 2024  
(241)

Candidate List Declared Against: JUNE  
2024 (241)

Does not contain REACH SVHC

Halogen Content

Low Halogen - Br, Cl, F, I < 900 ppm per  
homogenous material. Also BFR/CFR/PVC  
Free

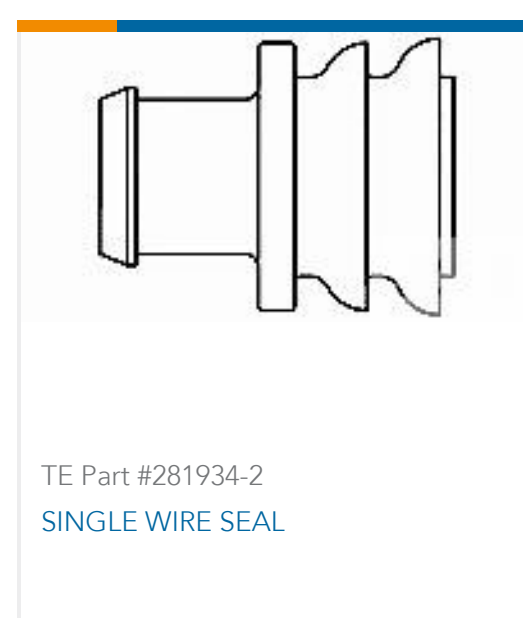
Solder Process Capability

Pin-in-Paste capable to 260°C

#### Product Compliance Disclaimer

This information is provided based on reasonable inquiry of our suppliers and represents our current actual knowledge based on the information they provided. This information is subject to change. The part numbers that TE has identified as EU RoHS compliant have a maximum concentration of 0.1% by weight in homogenous materials for lead, hexavalent chromium, mercury, PBB, PBDE, DBP, BBP, DEHP, DIBP, and 0.01% for cadmium, or qualify for an exemption to these limits as defined in the Annexes of Directive 2011/65/EU (RoHS2). Finished electrical and electronic equipment products will be CE marked as required by Directive 2011/65/EU. Components may not be CE marked. Additionally, the part numbers that TE has identified as EU ELV compliant have a maximum concentration of 0.1% by weight in homogenous materials for lead, hexavalent chromium, and mercury, and 0.01% for cadmium, or qualify for an exemption to these limits as defined in the Annexes of Directive 2000/53/EC (ELV). Regarding the REACH Regulation, the information TE provides on SVHC in articles for this part number is based on the latest European Chemicals Agency (ECHA) 'Guidance on requirements for substances in articles' posted at this URL: <https://echa.europa.eu/guidance-documents/guidance-on-reach>

## Customers Also Bought



## Documents

[CAD Files](#)

[3D PDF](#)

[3D](#)

[Customer View Model](#)

[ENG\\_CVM\\_CVM\\_84998-3\\_G.2d\\_dxf.zip](#)

English



Customer View Model

[ENG\\_CVM\\_CVM\\_84998-3\\_G.3d\\_igs.zip](#)

English

Customer View Model

[ENG\\_CVM\\_CVM\\_84998-3\\_G.3d\\_stp.zip](#)

English

By downloading the CAD file I accept and agree to the [Terms and Conditions](#) of use.

---

Product Specifications

[Product Specification](#)

English

[Product Specification](#)

English

---

Agency Approvals

[UL Report](#)

English