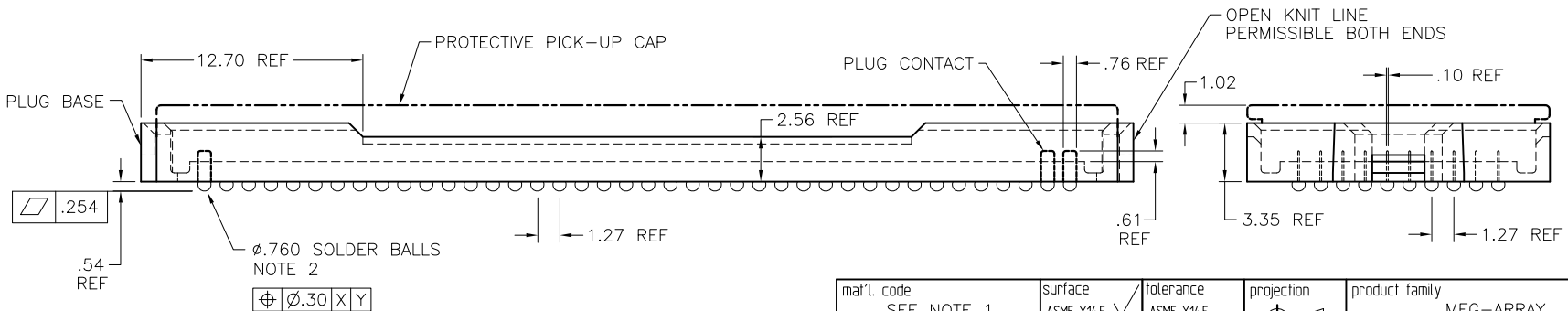
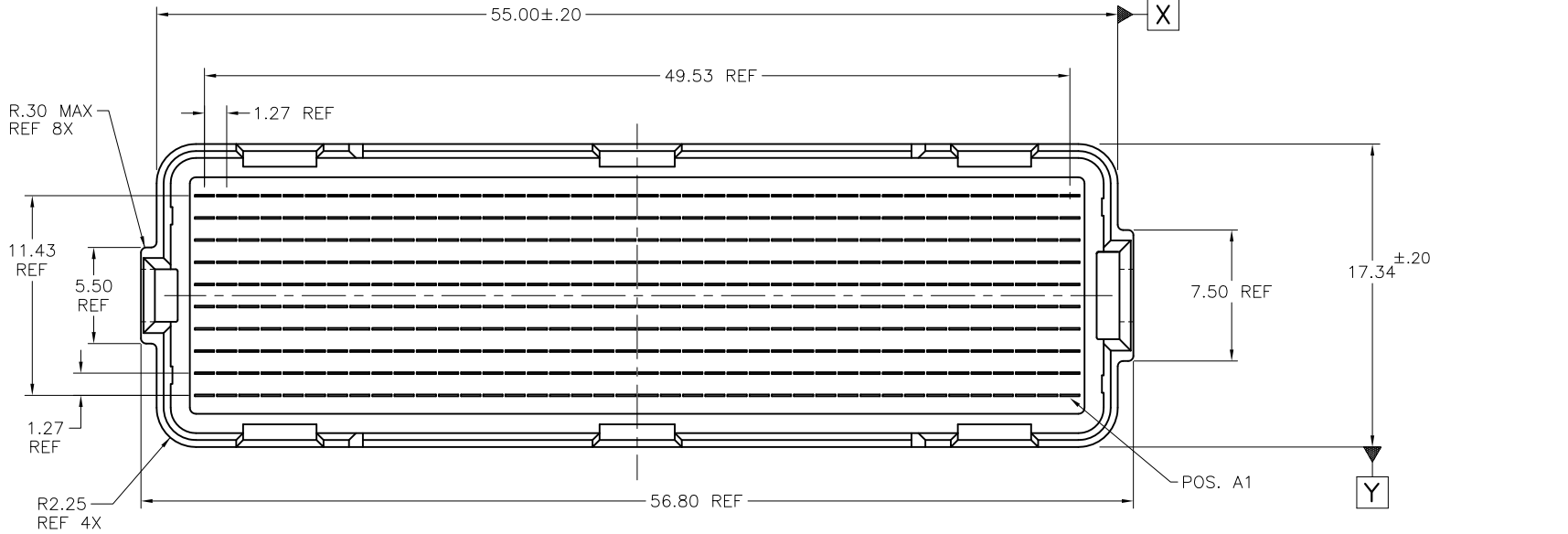


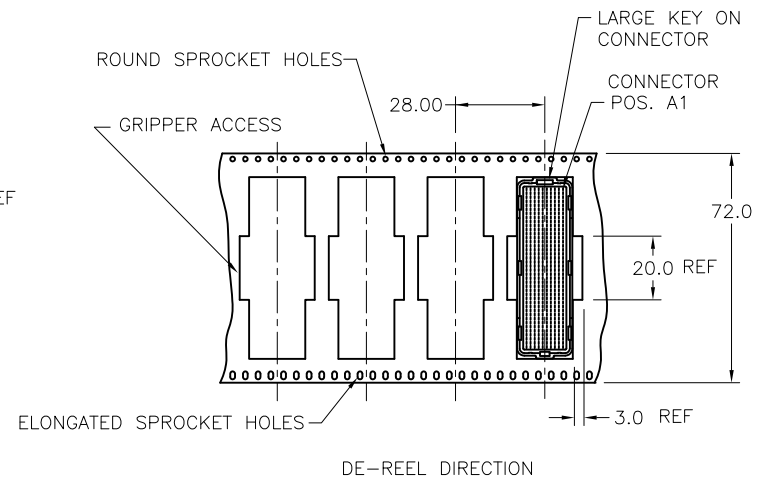
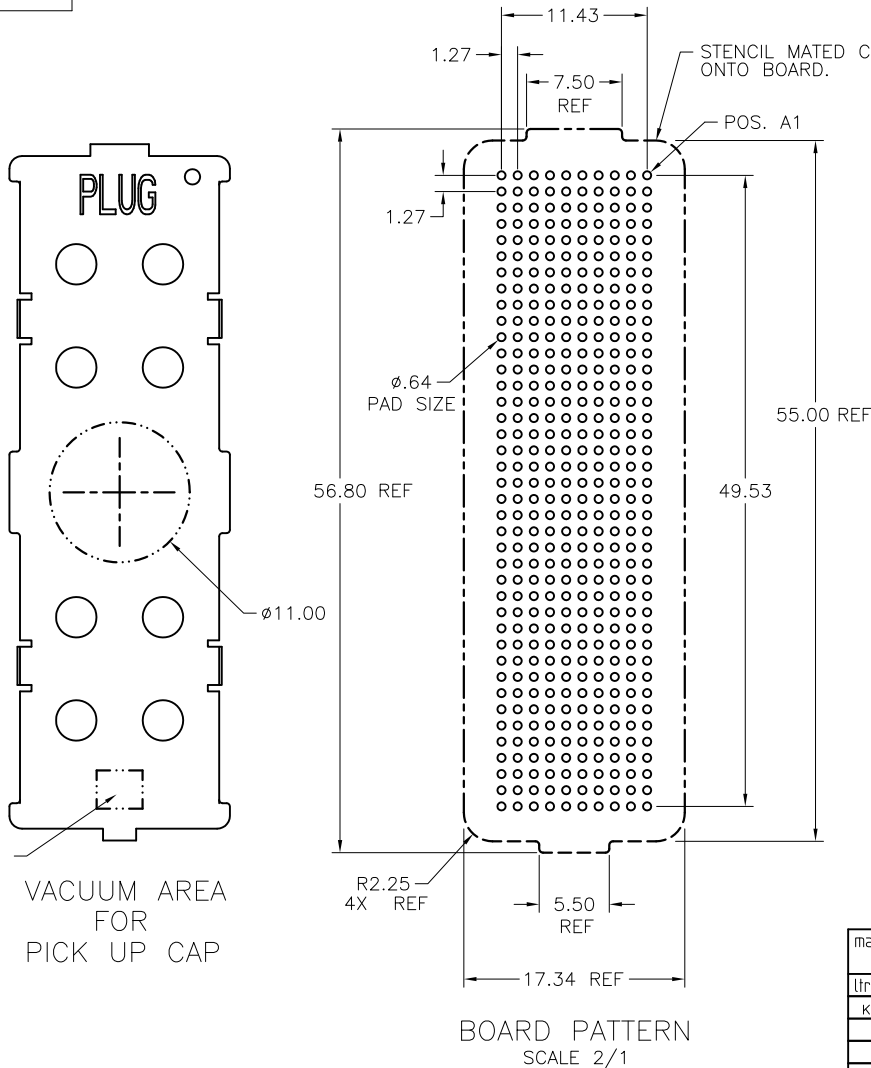
PRODUCT NUMBER
SEE TABLE



mat'l. code				surface		tolerance		projection		product family	
SEE NOTE 1				ASME Y14.5		ASME Y14.5		ASME Y14.5		MEG-ARRAY	
ltr	ecn no	dr	date	tolerances unless otherwise specified				mm		title	
J	V06-0560	LP	2006-07-17	angles		X ±3				0mm PLUG ASSEMBLY	
K	V-004092	HTB	2011-06-13			.XX ±.13				10 x 40 = 400 POSITIONS	
-	-	-	-	0' ±2'		XXX ±.051		scale	3:1	dwg no	sheet 1 of 4
E	V20486	DRW	2002-03-12	dr	D. WAUGHEN	1998-09-18				84740	size
F	V21254	DAI	2002-07-30	ENGR	M. HAHN	1998-09-18					A4
G	V03-0681	DAI	2003-06-23	chr	M. HAHN	1998-09-18					
H	V04-0940	VS	2004-10-18	appd	M. HAHN	1998-09-18					
sheet	revision	K	K	K	K					type CUSTOMER Drawing	
index	sheet	1	2	3	4						

PRODUCT NUMBER

SEE TABLE

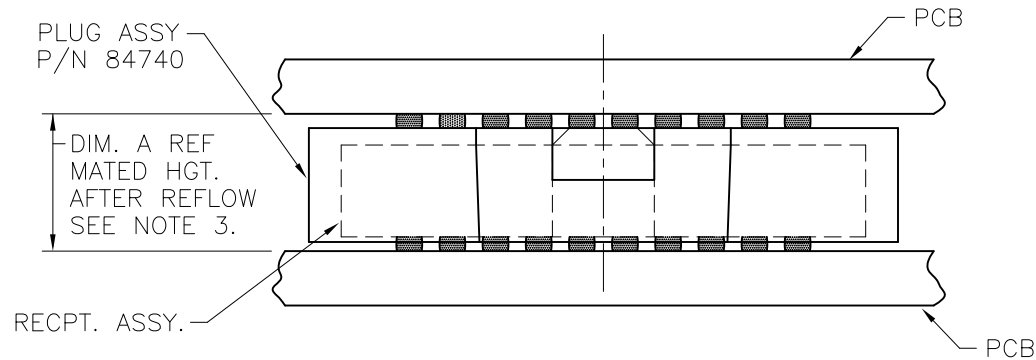


TAPE & REEL PACKAGING SCALE NONE
PER EIA 481-3

NOTE 9
VACUUM AREA FOR PICK UP CAP

mat'l. code		surface		tolerance		projection		product family	
SEE NOTE 1		ASME Y14.5		ASME Y14.5		ASME Y14.5		MEG-ARRAY	
ltr	ecn no	dr	date	tolerances unless otherwise specified				title	
K				angles	mm	mm		0mm PLUG ASSEMBLY	
				0° ±2'	XXX ±.051	scale 2:1		10 x 40 = 400 POSITIONS	
		dr	D. WAUGHEN	1998-09-18	FCI		dwg no		
		engr	M. HAHN	1998-09-18			sheet 2 of 4		
		chr	M. HAHN	1998-09-18			size		
		appd	M. HAHN	1998-09-18			84740		
sheet index		revision sheet				type		CUSTOMER Drawing	

PRODUCT NUMBER
SEE TABLE



MATED HEIGHT TABLE		
DIM. A	RECPT. ASSY. P/N	-2XX PLATING
4.0	74221	SEE NOTE 4
6.0	74388	SEE NOTE 5
8.0	74390	SEE NOTE 5

MATED HEIGHT AFTER REFLOW IS BASED ON ϕ .64mm PAD (METAL-DEFINED) AND .13mm SOLDER PASTE STENCIL THICKNESS. SEE NOTE 3.

END VIEW — MATED CONNECTORS SCALE NONE

mat'l. code SEE NOTE 1		surface ASME Y14.5	tolerance ASME Y14.5	projection 	product family MEG-ARRAY
ltr	ecn no	dr	date	tolerances unless otherwise specified	title
K				angles X ±3 XX ±13 XXX ±051	0mm PLUG ASSEMBLY 10 x 40 = 400 POSITIONS
				0° ±2'	scale 2:1
		dr	D. WAUGHEN	1998-09-18	dwg no
		engr	M. HAHN	1998-09-18	sheet 3 of 4
		chr	M. HAHN	1998-09-18	size
		appd	M. HAHN	1998-09-18	84740
sheet index	revision sheet				type CUSTOMER Drawing



PRODUCT NUMBER	PICK-UP CAP	CONTACT PLATING	SOLDER BALL	NOTES
84740-002	YES	15μ" (.38μm) Au OVER Ni	SnPb	
84740-002LF			SnAgCu LEAD FREE	6 AND 7
84740-102	YES	30μ" (.76μm) Au OVER Ni	SnPb	
84740-102LF			SnAgCu LEAD FREE	6 AND 7
84740-202	YES	SEE MATED HEIGHT TABLE (BELOW)	SnPb	
84740-202LF			SnAgCu LEAD FREE	6 AND 7
84740-A02	YES	30μ" (.76μm) Au OVER Ni NOTE 8	SnPb	
84740-A02LF			SnAgCu LEAD FREE	6 AND 7

NOTES:

1. MATERIAL:
HOUSING: LCP
CONTACT: COPPER ALLOY

PLATING:
CONTACT: (SEE TABLE)
SOLDER BALL: (SEE TABLE)
EUTECTIC SnPb OR LEAD FREE
95.5Sn/4Ag/0.5Cu
2. SOLDER BALLS WILL NOT BE PERFECT SPHERICAL SHAPE DUE TO REFLOW ATTACHMENT.
3. MATED HEIGHT EFFECTED BY CUSTOMER'S PCB PAD SIZE, PLATING, SOLDER REFLOW PROFILE, & SOLDER PASTE.
4. PLATING FOR INDICATED -2XX SERIES PART NOS. MEETS THE REQUIREMENTS OF NORTEL NPS25298-2 (CENTRAL OFFICE ENVIRONMENT, 25 YEAR LIFE EXPECTANCY).
5. PLATING FOR INDICATED -2XX SERIES PART NOS. IS Au OVER Ni WITH SPECIAL CONTACT GEOMETRY TO MEET REQUIREMENTS OF TELCORDIA GR-1217-CORE: CENTRAL OFFICE ENVIRONMENT.
6. FOR PROPER APPLICATION FOLLOW FCI APPLICATION SPECIFICATION GS-20-033 LEAD FREE SOLDER BALLS WILL NOT SOLDER PROPERLY IN A LEADED SOLDER PROCESS DUE TO A HIGHER REFLOW TEMPERATURE. LEAD FREE PRODUCT IS THEREFORE NOT BACKWARDS COMPATIBLE WITH LEADED OR SOME SOLDERING APPLICATIONS. REFERENCE FCI APPLICATION SPECIFICATION.
7. THIS PRODUCT MEETS EUROPEAN UNION DIRECTIVES AND OTHER COUNTRY REGULATIONS AS DESCRIBED IN GS-22-008 PRODUCT MEETING THIS DIRECTIVE IS IDENTIFIED IN THE LOT CODE NUMBER MARKED ON EACH PART BY HAVING AN "X" IN THE SEVENTH CHARACTER POSITION.
8. 84740-A02 AND -A02LF ARE CUSTOMER SPECIALS.
9. CURRENT COMPANY LOGO TO BE VISIBLE IN APPROXIMATE AREA SHOWN.

mat'l. code		surface		tolerance		projection		product family	
SEE NOTE 1		ASME Y14.5		ASME Y14.5				MEG-ARRAY	
ltr	ec'n no	dr	date	tolerances unless otherwise specified		mm		title	
K				angles	X ±3			0mm PLUG ASSEMBLY	
				0° ±2'	.XX ±.13	scale 2:1		10 x 40 = 400 POSITIONS	
					XXX ±.051			dwg no	
		dr	T. BREWBAKER	2011-06-06			sheet 4 of 4		size
		engr	T. BREWBAKER	2011-06-06			84740		A4
		chr	T. BREWBAKER	2011-06-06			FCI		
		appd	D. HORCHLER	2011-06-06			type		CUSTOMER Drawing
sheet	revision								
index	sheet								