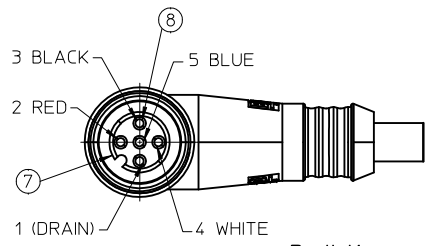
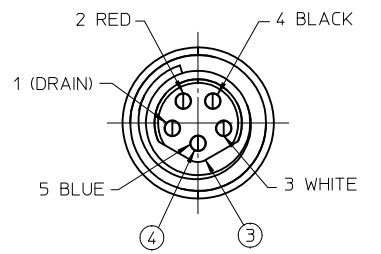
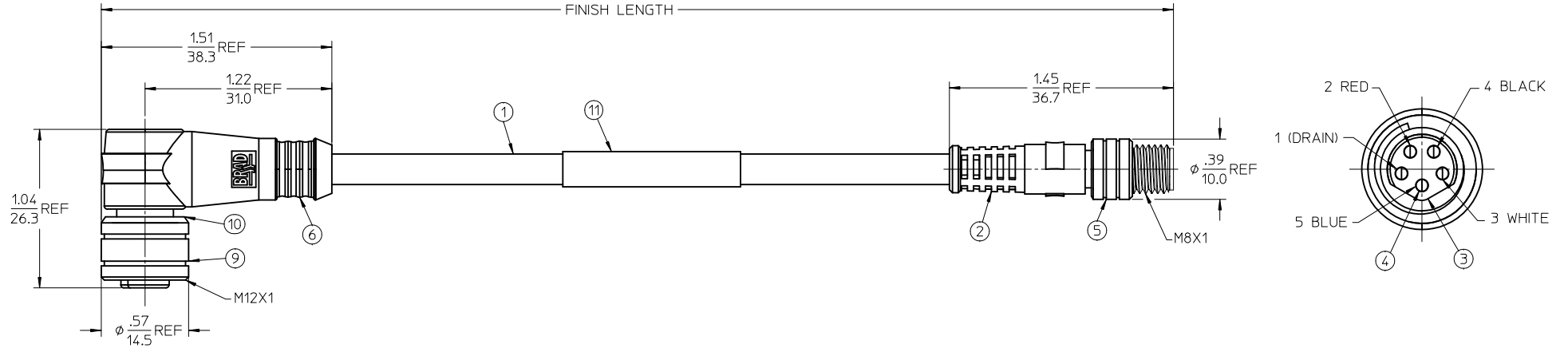
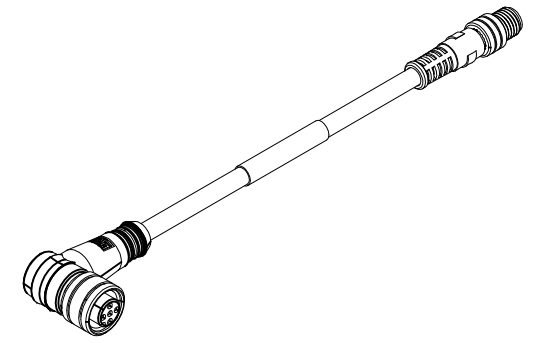


13	12	11	10
MATERIAL	ENG-NUMBER	LENGTH	LENGTH TOL.
130030041	845031D12M010	1M (3'-4")	+58.7MM -0(+2.31' -0")

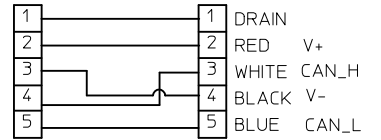


Partial1  
Scale 2:1

NOTES:

- 1.) MATERIAL: SEE TABLE
- 2.) FINISHES: SEE TABLE
- 3.) ELECTRICAL: 60VAC 75VDC, 1.68 AMPS
- 4.) CABLE:  
TWO SHIELDED PAIRS  
26AWG/ 4C 300VDC  
-20 TO +70°C @ 1.68 AMPS
- 5.) IP67
- 6.) ASSEMBLY IS RoHS COMPLIANT

WIRING CONNECTION



11	1	MFG LABEL	PLASTIC FILM	BLACK/YELLOW
10	1	O-RING	NITRILE	RED
9	1	FEMALE COUPLING NUT	BRASS	NICKEL PLATED
8	5	FEMALE CONTACT	Cu ALLOY	GOLD PLATED
7	1	MIC 5 POLE FEM. INSERT	PUR	BLACK
6	1	OVERMOLD BODY	TPE	GRAY
5	1	MALE COUPLING NUT	BRASS	NICKEL PLATED
4	5	MALE CONTACT	Cu ALLOY	GOLD PLATED
3	1	NC 5 POLE MALE INSERT	PUR	BLACK
2	1	OVERMOLD BODY	TPE	GRAY
1	1	CABLE, 4P, 26 AWG	PVC JACKET	GRAY
ITEM	QTY	DESCRIPTION	MATERIAL	FINISH

<p>CREATE DOC. EC NO: WNA2010-0452 DRWN:BRUPERT 2010/01/25 CHKD:RUPERT 2010/01/29 APPR:JFMURPHY 2010/01/29</p>	<p>QUALITY SYMBOLS ▽=0 ▽=0</p>	<p>GENERAL TOLERANCES (UNLESS SPECIFIED)</p> <table border="1"> <tr> <th></th> <th>mm</th> <th>INCH</th> </tr> <tr> <td>4 PLACES</td> <td>± ---</td> <td>± ---</td> </tr> <tr> <td>3 PLACES</td> <td>± ---</td> <td>± ---</td> </tr> <tr> <td>2 PLACES</td> <td>± ---</td> <td>± ---</td> </tr> <tr> <td>1 PLACE</td> <td>± ---</td> <td>± ---</td> </tr> </table>			mm	INCH	4 PLACES	± ---	± ---	3 PLACES	± ---	± ---	2 PLACES	± ---	± ---	1 PLACE	± ---	± ---	<p>DIMENSION STYLE IN/MM</p>	<p>SCALE 2:1</p>	<p>DESIGN UNITS INCH</p>	<p>THIRD ANGLE PROJECTION</p>
			mm	INCH																		
		4 PLACES	± ---	± ---																		
		3 PLACES	± ---	± ---																		
2 PLACES	± ---	± ---																				
1 PLACE	± ---	± ---																				
<p>DRAWN BY DATE B. RUPERT 01/15/2010</p>		<p>CHECKED BY DATE B. WOODMAN 01/15/2010</p>		<p>TITLE MIC 90D 5P FEMALE TO NC STR 5P MALE DEVICENET</p>																		
<p>APPROVED BY DATE JFMURPHY 2010/01/29</p>		<p>MATERIAL NO. SEE CHART</p>		<p>MOLEX INCORPORATED</p>																		
<p>DRAFT WHERE APPLICABLE MUST REMAIN WITHIN DIMENSIONS</p>		<p>SIZE C</p>		<p>DOCUMENT NO. SD-130030-041</p>																		