



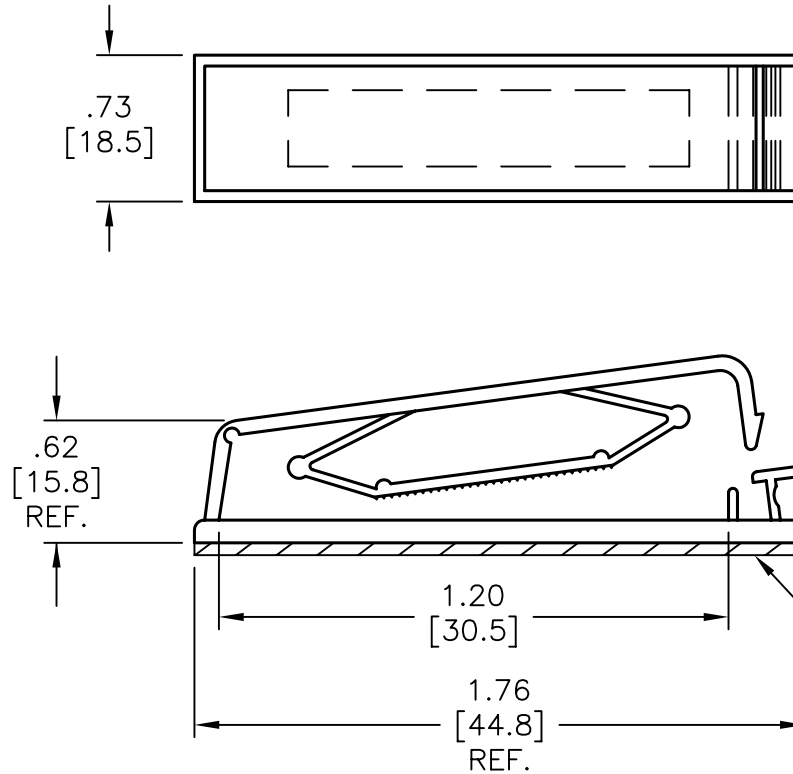
ALL RIGHTS RESERVED. NO PORTION OF THIS PUBLICATION, WHETHER IN WHOLE OR IN PART CAN BE REPRODUCED WITHOUT THE EXPRESS WRITTEN CONSENT OF SPC TECHNOLOGY.

SPC-F005.DWG

REVISIONS

DOC. NO. SPC-F005 * Effective: 7/8/02 * DCP No: 1398

DCP #	REV	DESCRIPTION	DRAWN	DATE	CHECKD	DATE	APPRVD	DATE
380	A	RELEASED	J.W.M.	3/5/98	J.C.	3/13/98	B.B.	3/19/98
1865	B	RoHS ADDED	DCM	10/17/05	JWM	10/18/05	JWM	10/18/05



DOUBLE ADHESIVE TAPE
1/16 (1.6) THICK
See Tech Note TN-003 for
Specifications and Application
Procedures

NOTES:

1. MATERIAL: NYLON 66
2. COLOR: NATURAL
3. UL Flamability: V-2
4. Max. Cable height: .125[3.2]

DISCLAIMER:
ALL STATEMENTS AND TECHNICAL INFORMATION CONTAINED HEREIN ARE BASED UPON INFORMATION AND/OR TESTS WE BELIEVE TO BE ACCURATE AND RELIABLE. SINCE CONDITIONS OF USE ARE BEYOND OUR CONTROL, THE USER SHALL DETERMINE THE SUITABILITY OF THE PRODUCT FOR THE INTENDED USE AND ASSUME ALL RISK AND LIABILITY WHATSOEVER IN CONNECTION THEREWITH.

TOLERANCES:

Tolerances Unless
Otherwise Specified:
.XX=±.015
.XXX=±.005
Frac=1/64
Ang=1°

DRAWN BY:	DATE:
Jeff McVicker	3/5/98
CHECKED BY:	DATE:
JOHN COLE	3/13/98
APPROVED BY:	DATE:
BRETT BRAATZ	3/19/98

DRAWING TITLE:

Tension Flat Cable Clamp

SIZE	DWG. NO.	ELECTRONIC FILE	REV
A	8408-0412	16N975.dwg	B
SCALE: NTS	U.O.M.: INCHES [mm]	SHEET: 1 OF 1	