

Emergency stop switch

84-5340.0020



<https://eao.com/p/84-5340.0020>

Your product:



84-5340.0020 Emergency stop switch

FRONT

Front dimension: Ø 32 mm

OPERATING-/INDICATION PART

Switching position ring: Green

Lens material: Plastic, according to UL 94 V0

Lens illumination: non illuminative

Lens shape: mushroom-head

Lens optics: opaque

Lens colour: Red-white

ELECTRICAL CHARACTERISTICS

Protection class: II, according to EN / IEC 60947-5

Pollution degree: 3, according to EN IEC 60947-1

Thermal current I_{th}: 5 A

Overvoltage category: II, according to EN / IEC 61058-1

Electric strength: 500 VAC, 50 Hz, 1 minute according to DIN IEC 60512-2

Rated impulse withstand voltage U_{imp}: 2.5 kV, according to EN / IEC 60947-1

Rated short-circuit current caused: 1 000 A, type of short-circuit device 6 A gG (EN 60947-5-1)

Electrical lifetime: 50 000 cycles of operation

Contacts: 2 NC

Standards: According to EN 60947-5-1, EN 60947-5-5, DIN EN ISO 13850, EN IEC 60204

Switching voltage and switching current:

Switch rating AC with silver contact (gold plated)		
Service category AC-15 as per EN IEC 60947-5-1		
Voltage	120 VAC	240 VAC
Current	3 A	1,5 A
Switch rating AC with silver contact (gold plated)		
Service category DC-13 as per EN IEC 60947-5-1		
NO contacts	NC contacts	NO/NC contacts
(48 VA)	(60 VA)	
12 VDC/2.0 A	12 VDC/2.5 A	125 VDC/0.22 A
24 VDC/2.0 A	24 VDC/2.5 A	250 VDC/0.11 A
48 VDC/1.0 A	48 VDC/1.25 A	
60 VDC/0.8 A	60 VDC/1.0 A	

Rated insulation voltage Ui: 250 V according to EN / IEC 60947-1

Rated Operational Voltage Ue: 250 VAC/DC according to EN IEC 60947-1

MECHANICAL CHARACTERISTIC

Tightening torque:	Fixing nut 0.8 Nm
Switching action:	Maintained
Mechanical lifetime:	250 000 cycles of operation
Operating force:	17 N ± 4 N
Release type:	Twist to unlock
Terminal:	Plug-in terminal, 2.8 x 0.5 mm
Operating Travel:	ca. 4 mm
Contact material:	Gold
Switching system:	Slow-make switching element
Weight:	0.028 kg

AMBIENT CONDITION

IP Protection:	IP20 rear side, IP65 front side, according to IEC 60529, IP67 front side
Shock resistance:	Max. 150 m / s ² , pulse width 11 ms, 3-axis, (semi-sinusoidal as per EN IEC 60068-2-27)
Operating temperature:	- 25 °C ... + 70 °C
Storage temperature:	- 25 °C ... + 85 °C
Vibration resistance:	Max. 50 m / s ² from 10 Hz ... 500 Hz, 10 cycles, 3-axis (sinusoidal EN IEC 60068-2-6)
Climate resistance:	Damp heat, cyclic: 96 hours, + 25 °C/97 %, + 55 °C/93 % relative humidity, as per EN IEC 60068-2-30 Damp heat, steady: 56 days, + 40 °C/93 % relative humidity, according to EN IEC 60068-2-78 Dry heat: 96 hours, + 65 °C, as per EN IEC 60068-2-2 Low temperature: 96 hours, - 25 °C (as per EN IEC 60068-2-1)) UV test, 56 days (EN 60068-2-5:1999)

Saline mist: 96 hours, + 35 °C in chemical solution NaCl, as per EN IEC 60068-2-11

CERTIFICATE

Approbations: CCC, UL

Conformities: CE, UKCA, 2006 / 42 / EC (MD), 2011 / 65 / EC (RoHS)

OTHER

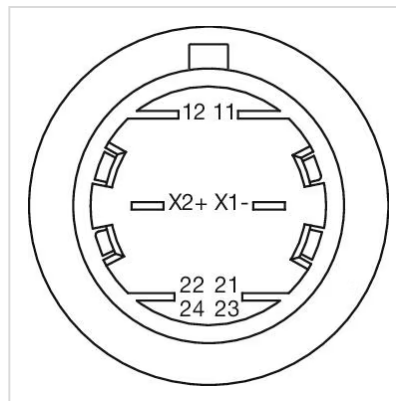
Short Description: Emergency stop switch, Ø 32 mm, mushroom-head, non illuminative, Red-white, Plastic, according to UL 94 V0, opaque, 2 NC, Maintained, Plug-in terminal, 2.8 x 0.5 mm, Twist to unlock

Housing colour: Yellow

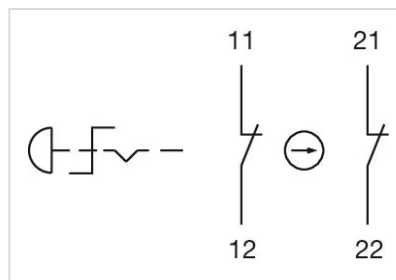
Housing material: Plastic, according to UL 94 V0

Material: Plastic

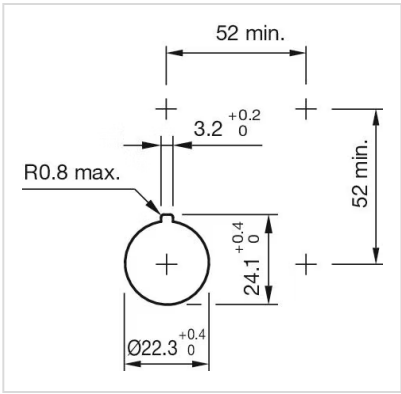
Component layouts:



Wiring diagrams:



Mounting cut-outs:



Dimension drawings:

