

Emergency stop switch

84-5241.2B20



<https://eao.com/p/84-5241.2B20>

Your product:



84-5241.2B20 Emergency stop switch

FRONT

Front dimension: Ø 32 mm

OPERATING-/INDICATION PART

Lens material: Plastic, according to UL 94 V0

Switching position ring: Black

Lens illumination: illuminative

Illumination colour: Red

Lens shape: mushroom-head

Lens optics: opaque

Lens colour: Red

ELECTRICAL CHARACTERISTICS

Switching voltage and switching current:	Switch rating AC with silver contact (gold plated) Service category AC-15 as per EN IEC 60947-5-1	120 VAC	240
	Voltage Current	3 A	1,5
	Switch rating AC with silver contact (gold plated) Service category DC-13 as per EN IEC 60947-5-1		
	NO contacts (48 VA)	NC contacts (60 VA)	NO
	12 VDC/2.0 A	12 VDC/2.5 A	125
	24 VDC/2.0 A	24 VDC/2.5 A	250
	48 VDC/1.0 A	48 VDC/1.25 A	
	60 VDC/0.8 A	60 VDC/1.0 A	

Electrical lifetime: 50 000 cycles of operation

Contacts: 2 NC

Rated short-circuit current caused: 1 000 A, type of short-circuit device 6 A gG (EN 60947-5-1)

Thermal current I_{th}: 5 A

Rated impulse withstand voltage U_{imp}:	2.5 kV, according to EN / IEC 60947-1
Overvoltage category:	II, according to EN / IEC 61058-1
Pollution degree:	3, according to EN IEC 60947-1
Operation current:	9,7 - 12,4 mA
Rated insulation voltage U_i:	250 V according to EN / IEC 60947-1
Standards:	According to EN 60947-5-1, EN 60947-5-5, DIN EN ISO 13850, EN IEC 60204
Operating voltage:	5 - 30 V DC (LED)
Protection class:	II, according to EN / IEC 60947-5
Rated Operational Voltage U_e:	250 VAC/DC according to EN IEC 60947-1
Electric strength:	500 VAC, 50 Hz, 1 minute according to DIN IEC 60512-2

MECHANICAL CHARACTERISTIC

Operating force:	17 N ± 4 N
Terminal:	Plug-in terminal, 2.8 x 0.5 mm
Weight:	0.028 kg
Mechanical lifetime:	250 000 cycles of operation
Contact material:	Gold
Switching system:	Slow-make switching element
Tightening torque:	Fixing nut 0.8 Nm
Release type:	Twist to unlock
Operating Travel:	ca. 4 mm
Switching action:	Maintained

AMBIENT CONDITION

Shock resistance:	Max. 150 m / s ² , pulse width 11 ms, 3-axis, (semi-sinusoidal as per EN IEC 60068-2-27)
IP Protection:	IP20 rear side, IP65 front side, according to IEC 60529, IP67 front side
Climate resistance:	Damp heat, cyclic: 96 hours, + 25 °C/97 %, + 55 °C/93 % relative humidity, as per EN IEC 60068-2-30 Damp heat, steady: 56 days, + 40 °C/93 % relative humidity, according to EN IEC 60068-2-78 Dry heat: 96 hours, + 65 °C, as per EN IEC 60068-2-2 Low temperature: 96 hours, - 25 °C (as per EN IEC 60068-2-1)) UV test, 56 days (EN 60068-2-5:1999) Saline mist: 96 hours, + 35 °C in chemical solution NaCl, as per EN IEC 60068-2-11
Vibration resistance:	

Max. 50 m / s² from 10 Hz ... 500 Hz, 10 cycles, 3-axis (sinusoidal EN IEC 60068-2-6)

Operating temperature: - 25 °C ... + 70 °C

Storage temperature: - 25 °C ... + 85 °C

CERTIFICATE

Conformities: CE, UKCA, 2006 / 42 / EC (MD), 2011 / 65 / EC (RoHS)

Approbations: CCC, UL

OTHER

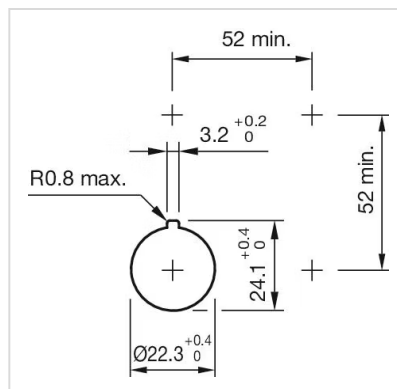
Material: Plastic

Housing material: Plastic, according to UL 94 V0

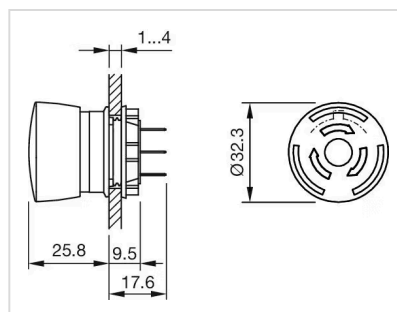
Housing colour: Yellow

Short Description: Emergency stop switch, Ø 32 mm, mushroom-head, illuminative, Red, Plastic, according to UL 94 V0, opaque, 2 NC, Maintained, Plug-in terminal, 2.8 x 0.5 mm, Twist to unlock, Red

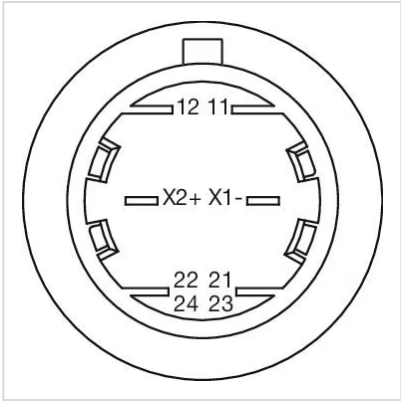
Mounting cut-outs:



Dimension drawings:



Component layouts:



Wiring diagrams:

