

Emergency stop switch

84-5231.2B20



<https://eao.com/p/84-5231.2B20>

Your product:



84-5231.2B20 Emergency stop switch

FRONT

Front dimension: Ø 32 mm

OPERATING-/INDICATION PART

Switching position ring: Black

Lens material: Plastic, according to UL 94 V0

Lens colour: Red

Lens illumination: illuminative

Lens shape: mushroom-head

Lens optics: opaque

Illumination colour: Red

ELECTRICAL CHARACTERISTICS

Switching voltage and switching current:	Switch rating AC with silver contact (gold plated)		
	Service category AC-15 as per EN IEC 60947-5-1		
	Voltage	120 VAC	240
	Current	3 A	1,5
	Switch rating AC with silver contact (gold plated)		
	Service category DC-13 as per EN IEC 60947-5-1		
	NO contacts	NC contacts	NO
	(48 VA)	(60 VA)	
	12 VDC/2.0 A	12 VDC/2.5 A	12.5
	24 VDC/2.0 A	24 VDC/2.5 A	25.0
	48 VDC/1.0 A	48 VDC/1.25 A	
	60 VDC/0.8 A	60 VDC/1.0 A	

Standards: According to EN 60947-5-1, EN 60947-5-5, DIN EN ISO 13850, EN IEC 60204

Rated impulse withstand voltage Uimp: 2.5 kV, according to EN / IEC 60947-1

Operating voltage: 5 - 30 V DC (LED)

Rated insulation voltage Ui: 250 V according to EN / IEC 60947-1

Electrical lifetime:	50 000 cycles of operation
Rated short-circuit current caused:	1 000 A, type of short-circuit device 6 A gG (EN 60947-5-1)
Protection class:	II, according to EN / IEC 60947-5
Contacts:	1 NC / 1 NO
Rated Operational Voltage Ue:	250 VAC/DC according to EN IEC 60947-1
Overvoltage category:	II, according to EN / IEC 61058-1
Pollution degree:	3, according to EN IEC 60947-1
Electric strength:	500 VAC, 50 Hz, 1 minute according to DIN IEC 60512-2
Thermal current Ith:	5 A
Operation current:	9,7 - 12,4 mA

MECHANICAL CHARACTERISTIC

Mechanical lifetime:	250 000 cycles of operation
Operating force:	17 N ± 4 N
Release type:	Twist to unlock
Switching action:	Maintained
Terminal:	Plug-in terminal, 2.8 x 0.5 mm
Weight:	0.028 kg
Tightening torque:	Fixing nut 0.8 Nm
Switching system:	Slow-make switching element
Contact material:	Gold
Operating Travel:	ca. 4 mm

AMBIENT CONDITION

Climate resistance:	Damp heat, cyclic: 96 hours, + 25 °C/97 %, + 55 °C/93 % relative humidity, as per EN IEC 60068-2-30 Damp heat, steady: 56 days, + 40 °C/93 % relative humidity, according to EN IEC 60068-2-78 Dry heat: 96 hours, + 65 °C, as per EN IEC 60068-2-2 Low temperature: 96 hours, - 25 °C (as per EN IEC 60068-2-1)) UV test, 56 days (EN 60068-2-5:1999) Saline mist: 96 hours, + 35 °C in chemical solution NaCl, as per EN IEC 60068-2-11
Operating temperature:	- 25 °C ... + 70 °C
Vibration resistance:	Max. 50 m / s ² from 10 Hz ... 500 Hz, 10 cycles, 3-axis (sinusoidal EN IEC 60068-2-6)
Storage temperature:	

- 25 °C ... + 85 °C

IP Protection: IP20 rear side, IP65 front side, according to IEC 60529, IP67 front side

Shock resistance: Max. 150 m / s², pulse width 11 ms, 3-axis, (semi-sinusoidal as per EN IEC 60068-2-27)

CERTIFICATE

Approbations: CCC, UL

Conformities: CE, UKCA, 2006 / 42 / EC (MD), 2011 / 65 / EC (RoHS)

OTHER

Short Description: Emergency stop switch, Ø 32 mm, mushroom-head, illuminative, Red, Plastic, according to UL 94 V0, opaque, 1 NC / 1 NO, Maintained, Plug-in terminal, 2.8 x 0.5 mm, Twist to unlock, Red

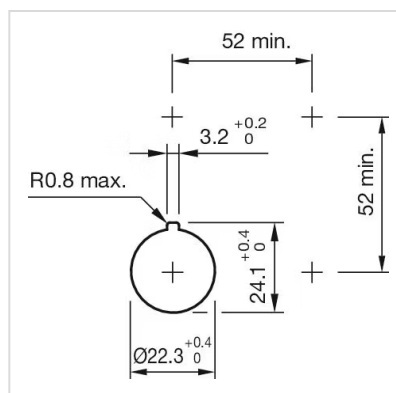
Housing colour: Yellow

Material: Plastic

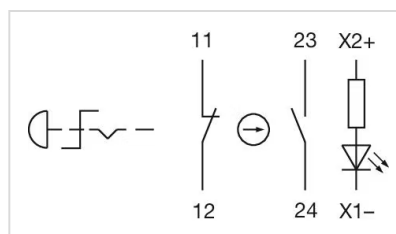
Hints: Twist to unlock clockwise, Luminosity and wave length variations caused by LED manufacturing processes may cause slight differences regarding the illumination., Foolproof according to EN IEC 60947-5-5, Lens colour Red

Housing material: Plastic, according to UL 94 V0

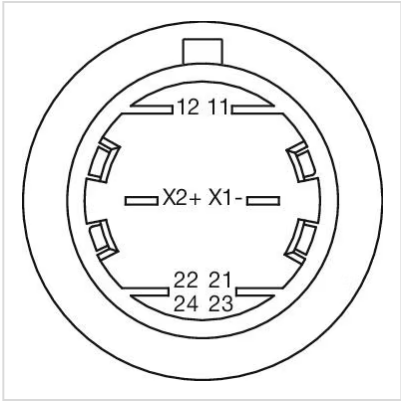
Mounting cut-outs:



Wiring diagrams:



Component layouts:



Dimension drawings:

