

Emergency stop switch

84-5220.0020



<https://eao.com/p/84-5220.0020>

Your product:



84-5220.0020 Emergency stop switch

FRONT

Front dimension: Ø 32 mm

OPERATING-/INDICATION PART

Lens material: Plastic, according to UL 94 V0

Lens shape: mushroom-head

Switching position ring: Black

Lens optics: opaque

Lens colour: Red-white

Lens illumination: non illuminative

ELECTRICAL CHARACTERISTICS

Switching voltage and switching current:	Switch rating AC with silver contact (gold plated) Service category AC-15 as per EN IEC 60947-5-1	120 VAC	240
	Voltage Current	3 A	1,5
	Switch rating AC with silver contact (gold plated) Service category DC-13 as per EN IEC 60947-5-1	NC contacts	NO
	NO contacts (48 VA)	(60 VA)	
	12 VDC/2.0 A	12 VDC/2.5 A	120
	24 VDC/2.0 A	24 VDC/2.5 A	250
	48 VDC/1.0 A	48 VDC/1.25 A	
	60 VDC/0.8 A	60 VDC/1.0 A	

Rated Operational Voltage Ue: 250 VAC/DC according to EN IEC 60947-1

Standards: According to EN 60947-5-1, EN 60947-5-5, DIN EN ISO 13850, EN IEC 60204

Electric strength: 500 VAC, 50 Hz, 1 minute according to DIN IEC 60512-2

Rated impulse withstand voltage Uimp: 2.5 kV, according to EN / IEC 60947-1

Overvoltage category: II, according to EN / IEC 61058-1

Contacts:	1 NC
Rated short-circuit current caused:	1 000 A, type of short-circuit device 6 A gG (EN 60947-5-1)
Rated insulation voltage Ui:	250 V according to EN / IEC 60947-1
Protection class:	II, according to EN / IEC 60947-5
Electrical lifetime:	50 000 cycles of operation
Pollution degree:	3, according to EN IEC 60947-1
Thermal current Ith:	5 A

MECHANICAL CHARACTERISTIC

Weight:	0.028 kg
Operating force:	17 N ± 4 N
Terminal:	Plug-in terminal, 2.8 x 0.5 mm
Contact material:	Gold
Operating Travel:	ca. 4 mm
Mechanical lifetime:	250 000 cycles of operation
Release type:	Twist to unlock
Switching action:	Maintained
Tightening torque:	Fixing nut 0.8 Nm
Switching system:	Slow-make switching element

AMBIENT CONDITION

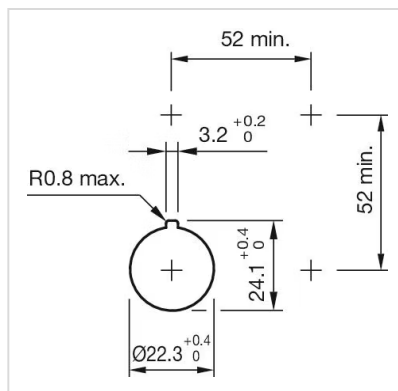
IP Protection:	IP20 rear side, IP65 front side, according to IEC 60529, IP67 front side
Vibration resistance:	Max. 50 m / s ² from 10 Hz ... 500 Hz, 10 cycles, 3-axis (sinusoidal EN IEC 60068-2-6)
Climate resistance:	Damp heat, cyclic: 96 hours, + 25 °C/97 %, + 55 °C/93 % relative humidity, as per EN IEC 60068-2-30 Damp heat, steady: 56 days, + 40 °C/93 % relative humidity, according to EN IEC 60068-2-78 Dry heat: 96 hours, + 65 °C, as per EN IEC 60068-2-2 Low temperature: 96 hours, - 25 °C (as per EN IEC 60068-2-1)) UV test, 56 days (EN 60068-2-5:1999) Saline mist: 96 hours, + 35 °C in chemical solution NaCl, as per EN IEC 60068-2-11
Storage temperature:	- 25 °C ... + 85 °C
Operating temperature:	- 25 °C ... + 70 °C
Shock resistance:	Max. 150 m / s ² , pulse width 11 ms, 3-axis, (semi-sinusoidal as per EN IEC 60068-2-27)

CERTIFICATE

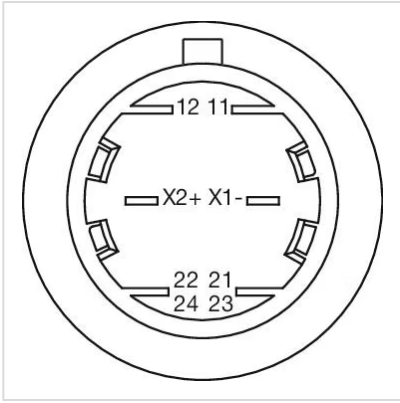
Approbations:	CB (IEC 60947-5-1, IEC60947-5-5), CCC, UL
Conformities:	CE, UKCA, 2006 / 42 / EC (MD), 2011 / 65 / EC (RoHS)

OTHER

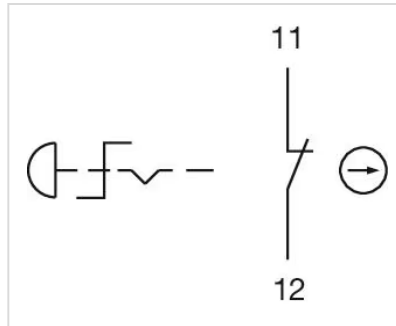
Housing colour:	Yellow
Short Description:	Emergency stop switch, Ø 32 mm, mushroom-head, non illuminative, Red-white, Plastic, according to UL 94 V0, opaque, 1 NC, Maintained, Plug-in terminal, 2.8 x 0.5 mm, Twist to unlock
Material:	Plastic
Housing material:	Plastic, according to UL 94 V0
Hints:	Twist to unlock clockwise, Foolproof according to EN IEC 60947-5-5, Lens colour Red
Mounting cut-outs:	



Component layouts:



Wiring diagrams:



Dimension drawings:

