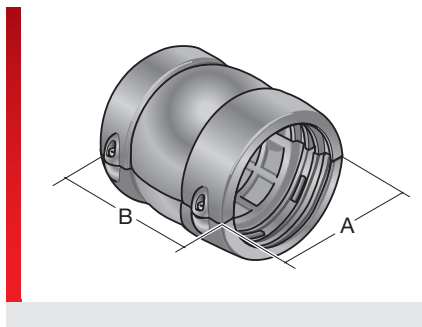


## KEG/K ball bearing



with SH and V-ZLT-70

### PRODUCT INFORMATION

The KEG-K is used wherever cables or cords exit from the cable protection conduit. The type KEG-K ball joint, which can be installed into the SH system holder easily and quickly, is the optimum fit for cords, cables and conduit throughputs; especially because its integratable strain relief is freely configurable

to the needs of the application. The KEG-K is the ideal connection of the Murrflex cable protection conduit to the SH system holder. The cables are sealed and strain is relieved at the same time.

### SPECIFICATIONS

- mod. polyamide
- 40 – 110 °C
- acc. to UL94 V0

HF
 RoHS
 Made in Germany

Type	Order No.	Colour	Suitable for Murrflex	Suitable for System holder	Version	A mm	B mm	C mm	MOQ qty.
KEG/K-M25	83692458	Black	M25/P21	SH-P/M25-M32	Split	46.50	48.50		1
KEG/K-M32	83692460	Black	M32/P29	SH-P/M25-M32	Split	46.50	48.50		1
KEG/K-M40	83692462	Black	M40/P36	SH-P/M40-M50	Split	70.00	67.00		1
KEG/K-M50	83692464	Black	M50/P48	SH-P/M40-M50	Split	70.00	67.00		1
KEG/K-56 <sup>1)</sup>	83692466	Black	NW56	SH 56/70	Split	100.50	122.40		1
KEG/K-70 <sup>1)</sup>	83692468	Black	NW70	SH 56/70	Split	100.50	122.40		1
KEG/K-80 sw <sup>1)</sup>	83692470	Black	NW80	SH 80/95	Split	126.00	170.00		1
KEG/K-95 sw <sup>1)</sup>	83692472	Black	NW95	SH 80/95	Split	126.00	170.00		1

<sup>1)</sup> Tightening torque 1.5Nm

mod. polyamide

### THERMAL PROPERTIES

**Temperature / temperature range**  
-40 – 110 °C

### FIRE PROPERTIES

**Fire classification**  
acc. to UL94 V0

### TECHNICAL INFORMATION

**HF** Halogen-free

## KEG/K ball bearing

### CONFORMITY

 **RoHS (EC Directive 2011/65/EU)**

### APPROVALS AND OPERATING PERMITS

 **ROBI approval**

 **Made in Germany**

All details given in our sales brochures and catalogues, as well as the information available online, are based on our current knowledge of the products described.

The electronic data and files made available by Murrplastik, particularly CAD files are based on our current knowledge of the product described.

A legally binding assurance of certain properties or the suitability for a certain purpose can not be determined from this information.

All information with respect to the chemical and physical properties of Murrplastik products, as well as application advice given verbally, in writing or by tests, is given to the best of our knowledge.

They do not release the buyer from the obligation to carry out his own tests and trials in order to determine the concrete suitability of the products for the intended purpose.

Murrplastik accepts no responsibility for the available information being up-to-date, correct or complete. Neither do we accept responsibility for the quality of this information.

Murrplastik accepts no liability for damage caused as a result of using our products.

Murrplastik reserves the right to make technical changes and improvements through constant further development of products and services.

Our General Terms and Conditions apply.

© Murrplastik Systemtechnik GmbH • proID\_174337~20210722~890283~aur\_kug\_keg\_k