

**PLEASE CHECK WWW.MOLEX.COM FOR LATEST PART INFORMATION**

**Part Number:** [0836129203](#)  
**Status:** **Active**  
**Overview:** Commercial Micro-D High-Density Connectors  
**Description:** 1.27mm Pitch Commercial Micro D, PCB Mount, Right-Angle Plug, 15 Circuits

**Documents:**

[3D Model](#) [Product Specification PS-83421-001-001 \(PDF\)](#)  
[Drawing \(PDF\)](#) [RoHS Certificate of Compliance \(PDF\)](#)  
[3D Model \(PDF\)](#)

**General**

Product Family	I/O Connectors
Series	<a href="#">83612</a>
Application	Wire-to-Board
Comments	With Jack Posts Not Installed
Component Type	Plug
Overview	<a href="#">Commercial Micro-D High-Density Connectors</a>
Product Name	Commercial Micro-D
Type	N/A
UPC	822348046447

**Physical**

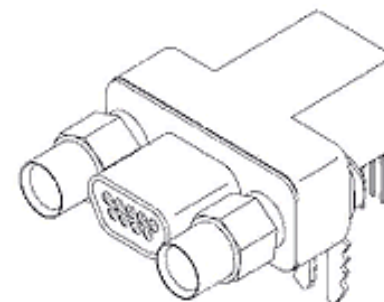
Boot Color	N/A
Circuits (Loaded)	15
Circuits (maximum)	15
Durability (mating cycles max)	500
Gender	Plug
Lock to Mating Part	Yes
Material - Plating Mating	Gold
Number of Rows	2
Orientation	Right Angle
PC Tail Length	2.79mm
PCB Locator	Yes
PCB Retention	Yes
PCB Thickness - Recommended	1.52mm
Packaging Type	Tube
Panel Mount	Yes
Pitch - Mating Interface	1.27mm
Pitch - Termination Interface	1.27mm
Plating min - Mating	0.381µm
Polarized to Mating Part	Yes
Polarized to PCB	Yes
Ports	1
Surface Mount Compatible (SMC)	No
Temperature Range - Operating	-40° to +125°C
Termination Interface: Style	Through Hole
Waterproof / Dustproof	No
Wire Size AWG	N/A

**Electrical**

Current - Maximum per Contact	1.0A
Shield Type	Full Shield
Shielded	Yes
Voltage - Maximum	350V AC

**Material Info**

**Reference - Drawing Numbers**



*Series image - Reference only*

**EU ELV**

**Not Relevant**

**EU RoHS**

**Compliant**

**REACH SVHC**

Not Contained Per -  
D(2020)4578-DC (25  
June 2020)

**Halogen-Free**

**Status**

**Low-Halogen**

For more information, please visit [Contact US](#)

China ROHS

ELV

RoHS Phthalates

**China RoHS**

Green Image

Not Relevant

Not Contained

**Search Parts in this Series**

[83612](#) Series

**Mates With**

[83422](#) Cable Assembly

This document was generated on 09/23/2020

**PLEASE CHECK [WWW.MOLEX.COM](http://WWW.MOLEX.COM) FOR LATEST PART INFORMATION**