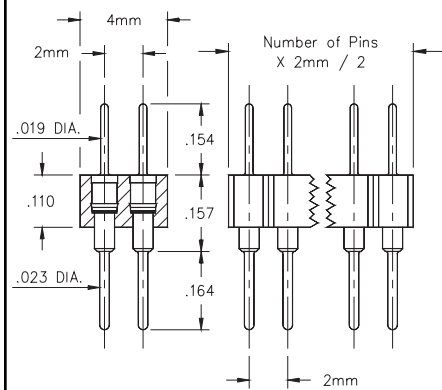


**Fig. 1**

- Series 830 single and double row interconnects have 2 mm pin spacing and permit board stacking as low as .322".
- Pin headers (830 & 832) use MM# 5012 pins. (See page 166 for details)
- Sockets (831 & 833) use MM# 1802 receptacle accepts pin diameters from .015-.025. (See page 138 for details)
- Insulators are high temperature thermoplastic, suitable for all soldering operations.



**Fig. 2**

**Ordering Information**

**Fig. 1**

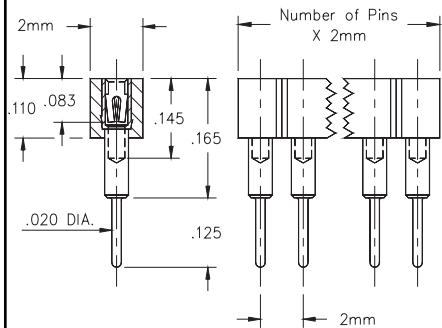
**Single Row Pin Header**

830-XX-0\_\_-10-001  
Specify # of pins      →      01-50

**Fig. 2**

**Double Row Pin Header**

832-XX-\_\_-10-001  
Specify # of pins      →      002-100



**Fig. 3**

*XX= Plating Code  
See Below*

SPECIFY PLATING CODE XX=	<b>10</b>	<b>90</b>		
Pin Plating	10μ" Au	200μ" Sn/Pb		

**Fig. 3**

**Single Row Socket**

831-XX-0\_\_-10-001  
Specify # of pins      →      01-50

**Fig. 4**

**Double Row Socket**

833-XX-\_\_-10-001  
Specify # of pins      →      002-100

*XX= Plating Code  
See Below*

SPECIFY PLATING CODE XX=		<b>93</b>		
Sleeve (Pin)		200μ" Sn/Pb		
Contact (Clip)		30μ" Au		

**Fig. 4**