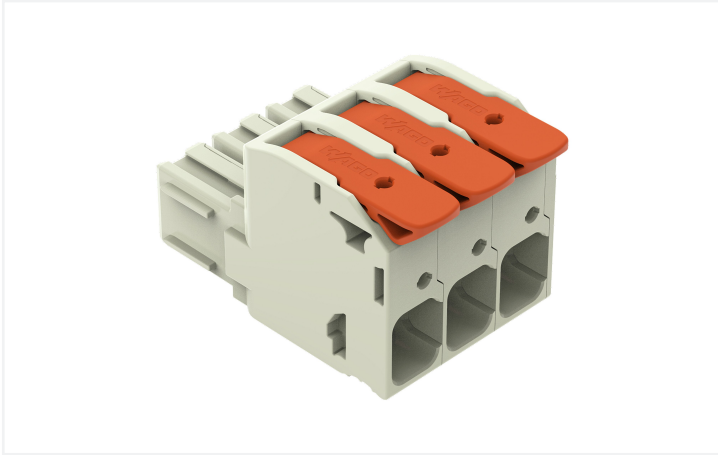


**Data Sheet | Item Number: 832-1103**

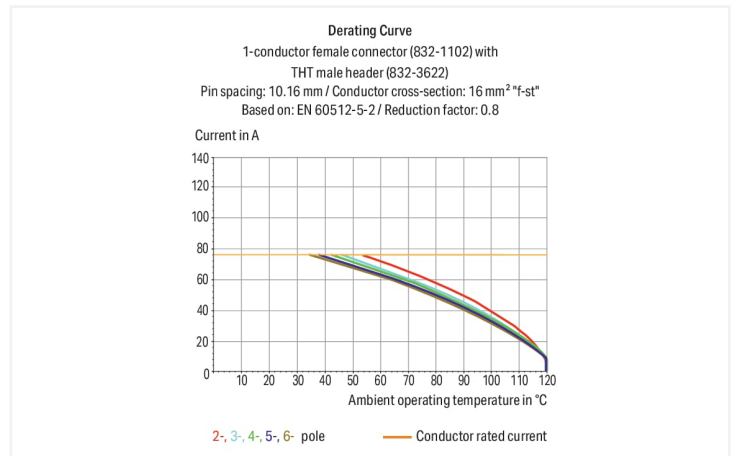
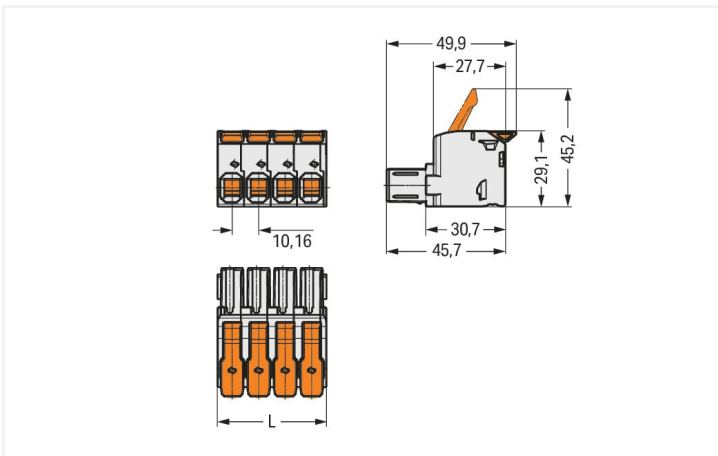
1-conductor female connector; lever; Push-in CAGE CLAMP®; 16 mm²; Pin spacing 10.16 mm; 3-pole; 100% protected against mismatching; Silver-plated contacts; 16,00 mm²; light gray



<https://www.wago.com/832-1103>

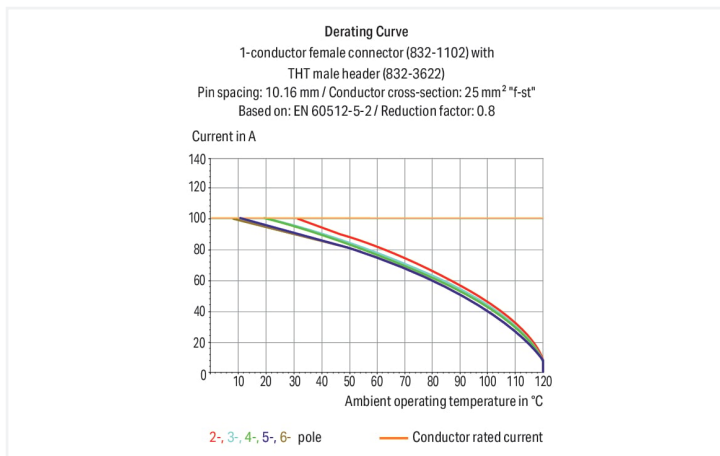


Color: ■ light gray



Dimensions in mm

L = (pole no. x pin spacing) + 1.3 mm



- Intuitive and tool-free lever actuation
- Universal connection for all conductor types
- Push-in termination of solid or ferruled conductors
- Test slot 0° and 90° to conductor entry
- 100% protected against mismatching
- Coding option available

## Notes

### Safety Information

The MCS – *MULTI CONNECTION SYSTEM* includes connectors without breaking capacity in accordance with DIN EN 61984. When used as intended, these connectors must not be connected/disconnected when live or under load. When used as intended, these connectors must not be connected/disconnected when live or under load. The circuit design should ensure header pins, which can be touched, are not live when unmated.

### Variants:

#### Other pole numbers

Other versions (or variants) can be requested from WAGO Sales or configured at <https://configurator.wago.com/>.

## Electrical data

Ratings per		IEC/EN 60664-1			Approvals per		UL 1059		
Overvoltage category		III	III	II	Use group	B	C	D	
Pollution degree		3	2	2	Rated voltage	600 V	600 V	-	
Nominal voltage		1000 V	1000 V	1000 V	Rated current	66 A	66 A	-	
Rated surge voltage		8 kV	8 kV	8 kV					
Rated current		76 A	76 A	76 A					

Approvals per		UL 1977
Rated voltage		600 V
Rated current		85 A

Approvals per		CSA		
Use group		B	C	D
Rated voltage		600 V	600 V	-
Rated current		66 A	66 A	-

## Connection data

Clamping units	3
Total number of potentials	3
Number of connection types	1
Number of levels	1

Connection 1	
Connection technology	Push-in CAGE CLAMP®
Actuation type	Lever
Solid conductor	0.75 ... 16 mm <sup>2</sup> / 18 ... 4 AWG
Fine-stranded conductor	0.75 ... 25 mm <sup>2</sup> / 18 ... 4 AWG
Fine-stranded conductor; with insulated ferrule	0.75 ... 16 mm <sup>2</sup>
Fine-stranded conductor; with uninsulated ferrule	0.75 ... 16 mm <sup>2</sup>
Strip length	18 ... 20 mm / 0.71 ... 0.79 inches
Pole number	3
Conductor entry direction to mating direction	0°

## Physical data

Pin spacing	10.16 mm / 0.4 inches
Width	31.78 mm / 1.251 inches
Height	29.1 mm / 1.146 inches
Depth	49.8 mm / 1.961 inches

## Mechanical data

Variable coding	Yes
Anti-rotation protection	Yes

## Plug-in connection

Contact type (pluggable connector)	Female connector/socket
Connector (connection type)	for conductor
Mismatching protection	Yes

## Material data

Note (material data)	<a href="#">Information on material specifications can be found here</a>
Color	light gray
Material group	I
Insulation material (main housing)	Polybutylene terephthalate (PBT)
Flammability class per UL94	V0
Clamping spring material	Chrome-nickel spring steel (CrNi)
Material of the additional spring for socket contact	Chrome-nickel spring steel (CrNi)
Contact material	Electrolytic copper (E <sub>Cu</sub> )
Contact Plating	Silver
Fire load	0.708 MJ
Actuator color	orange
Weight	40.6 g

## Environmental requirements

Limit temperature range	-60 ... +120 °C
Processing temperature	-35 ... +60 °C

## Commercial data

eCl@ss 10.0	27-14-11-06
eCl@ss 9.0	27-14-11-06
ETIM 9.0	EC001284
ETIM 8.0	EC001284
PU (SPU)	45 pcs
Packaging type	Box
Country of origin	PL
GTIN	4055143921169
Customs tariff number	8536690990

## Environmental Product Compliance

RoHS Compliance Status	Compliant, No Exemption
------------------------	-------------------------

## Approvals / Certificates

### General approvals



Approval	Standard	Certificate Name
CB DEKRA Certification B.V.	IEC 61984	NL-53084
CSA CSA Group	C22.2	70180346
KEMA/KEUR DEKRA Certification B.V.	EN 61984	71-104731
UL Underwriters Laboratories Inc.	C22.2 No. 158	E45172

Downloads

Environmental Product Compliance

Compliance Search

Environmental Product Compliance 832-1103



Documentation

Additional Information

Technical Section

03.04.2019

pdf

2027.26 KB



CAD/CAE-Data

CAD data

2D/3D Models  
832-1103



CAE data

ZUKEN Portal  
832-1103



PCB Design

Symbol and Footprint  
via SamacSys  
832-1103



Symbol and Footprint  
via Ultra Librarian  
832-1103



1 Compatible Products

1.1 System counterpart

1.1.1 Male connector/plug



[Item No.: 832-1203/306-000](#)

1-conductor male connector; lever; Push-in CAGE CLAMP®; 16 mm²; Pin spacing 10.16 mm; 3-pole; 100% protected against mismatching; DIN-35 rail/panel mounting; Silver-plated contacts; 16,00 mm²; light gray

[Item No.: 832-1203](#)

1-conductor male connector; lever; Push-in CAGE CLAMP®; 16 mm²; Pin spacing 10.16 mm; 3-pole; 100% protected against mismatching; Silver-plated contacts; 16,00 mm²; light gray

[Item No.: 832-1203/000-9034](#)

1-conductor male connector; lever; Push-in CAGE CLAMP®; 16 mm²; Pin spacing 10.16 mm; 3-pole; 100% protected against mismatching; Silver-plated contacts; direct marking; 16,00 mm²; light gray

[Item No.: 832-1203/333-000](#)

1-conductor male connector; lever; Push-in CAGE CLAMP®; 16 mm²; Pin spacing 10.16 mm; 3-pole; 100% protected against mismatching; Strain relief plate; Silver-plated contacts; 16,00 mm²; light gray



[Item No.: 832-3623](#)

THT male header; 1.2 x 1.2 mm solder pin; angled; 100% protected against mismatching; Silver-plated contacts; Pin spacing 10.16 mm; 3-pole; light gray

[Item No.: 832-3643](#)

THT male header; 1.2 x 1.2 mm solder pin; angled; 100% protected against mismatching; Silver-plated contacts; Pin spacing 10.16 mm; 3-pole; light gray

[Item No.: 832-3603](#)

THT male header; 1.2 x 1.2 mm solder pin; straight; 100% protected against mismatching; Silver-plated contacts; Pin spacing 10.16 mm; 3-pole; light gray

[Item No.: 832-3603/101-000](#)

THT male header; 1.2 x 1.2 mm solder pin; straight; 100% protected against mismatching; Silver-plated contacts; with orientation nose; Pin spacing 10.16 mm; 3-pole; light gray

## 1.2 Optional Accessories

### 1.2.1 Coding

#### 1.2.1.1 Coding



**Item No.:** [832-500](#)

Coding key carrier; orange

### 1.2.2 Ferrule

#### 1.2.2.1 Ferrule



**Item No.:** [216-284](#)

Ferrule; Sleeve for 1.5 mm<sup>2</sup> / AWG 16; insulated; electro-tin plated; electrolytic copper; gastight crimped; acc. to DIN 46228, Part 4/09.90; black



**Item No.:** [216-289](#)

Ferrule; Sleeve for 10 mm<sup>2</sup> / AWG 8; insulated; electro-tin plated; electrolytic copper; gastight crimped; acc. to DIN 46228, Part 4/09.90; red



**Item No.:** [216-210](#)

Ferrule; Sleeve for 16 mm<sup>2</sup> / AWG 6; insulated; electro-tin plated; electrolytic copper; gastight crimped; acc. to DIN 46228, Part 4/09.90; blue



**Item No.:** [216-286](#)

Ferrule; Sleeve for 2.5 mm<sup>2</sup> / AWG 14; insulated; electro-tin plated; electrolytic copper; gastight crimped; acc. to DIN 46228, Part 4/09.90; blue



**Item No.:** [216-287](#)

Ferrule; Sleeve for 4 mm<sup>2</sup> / AWG 12; insulated; electro-tin plated; electrolytic copper; gastight crimped; acc. to DIN 46228, Part 4/09.90; gray



**Item No.:** [216-288](#)

Ferrule; Sleeve for 6 mm<sup>2</sup> / AWG 10; insulated; electro-tin plated; electrolytic copper; gastight crimped; acc. to DIN 46228, Part 4/09.90; yellow

### 1.2.3 Locking system

#### 1.2.3.1 Locking system



**Item No.:** [832-522](#)

center locking; for female connectors; for even pole numbers; 1 part; orange



**Item No.:** [832-523](#)

center locking; for female connectors; for odd pole numbers; 1 part; orange

#### 1.2.3.2 Strain relief plate



**Item No.:** [832-542](#)

center locking with strain relief; for female and male connectors; 20.2 mm wide; 2 parts; Pin spacing 10.16 mm; 2-pole; orange

### 1.2.4 Mounting adapter

#### 1.2.4.1 Mounting accessories



**Item No.:** [832-1032](#)

Mounting adapter; for DIN-35 rail/panel mounting; 2 parts; Pin spacing 10.16 mm; light gray



**Item No.:** [832-1038](#)

Mounting adapter; for DIN-35 rail/panel mounting; 3 parts; Pin spacing 10.16 mm; light gray

## 1.2.5 Strain relief

### 1.2.5.1 Strain relief plate



**Item No.: 832-543**

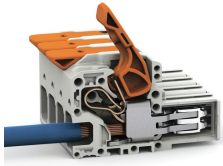
center locking with strain relief; for female and male connectors; 30.4 mm wide; 2 parts; Pin spacing 10.16 mm; 3-pole; orange

**Item No.: 832-533**

Strain relief plate; for female and male connectors; 30.4 mm wide; 1 part; Pin spacing 10.16 mm; 3-pole; light gray

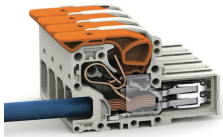
## Installation Notes

### Conductor termination



Insert fine-stranded conductors – and remove all conductors – via operating tool.

### Conductor termination



Fine-stranded wires, connected