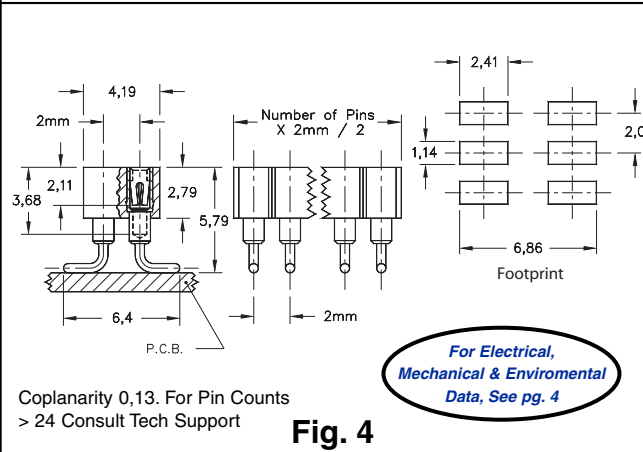
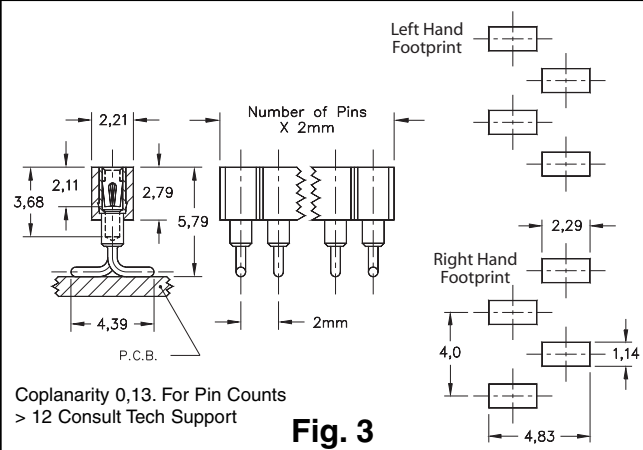
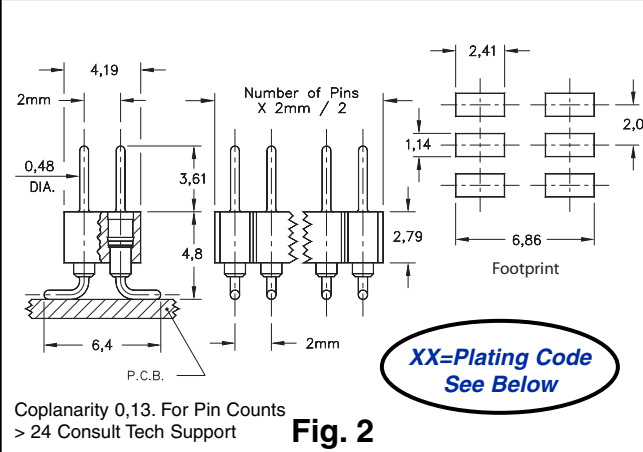
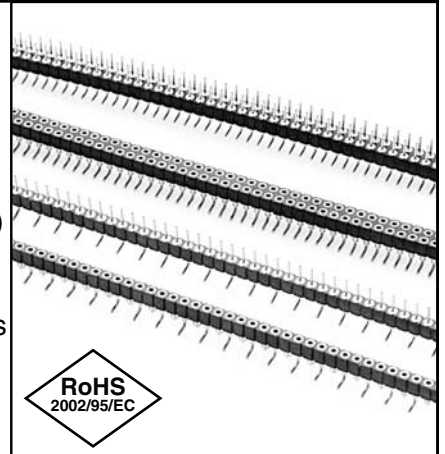


- Headers (830 & 832) use MM# 6218 pins. See page 175 for details.
- Sockets (831 & 833) use MM# 1802 receptacles and accept pin diameters from 0,38-0,64. See page 140 for details.
- Coplanarity 0,13 (Single Row max 12 pins; Double Row max 24 pins) for higher pin counts contact technical support.
- Insulators are high temp. thermoplastic.



For RoHS compliance
 select ◇ plating code.

Ordering Information

Fig. 1L	Single Row Header, Left Hand Footprint Odd or Even # of pins	830-XX-0__-30-001000		
	Specify # of pins	01-50		
Fig. 1R	Single Row Header, Right Hand Footprint Even # of pins	830-XX-0__-30-002000		
	Specify even # of pins	02-50		
Fig. 2	Double Row Header, Even # of pins	832-XX-__-30-001000		
	Specify even # of pins	004-100		
SPECIFY PLATING CODE XX=		10◇	90	40◇
Pin Plating		0,25µm Au	5,08µm Sn/Pb	5,08µm Sn
Fig. 3L	Single Row Socket, Left Hand Footprint Odd or Even # of pins	831-XX-0__-30-001000		
	Specify # of pins	01-50		
Fig. 3R	Single Row Socket, Right Hand Footprint Even # of pins	831-XX-0__-30-002000		
	Specify even # of pins	02-50		
Fig. 4	Double Row Socket, Even # of pins	833-XX-__-30-001000		
	Specify even # of pins	004-100		
SPECIFY PLATING CODE XX=		93		43◇
Sleeve (Pin)		5,08µm Sn/Pb		5,08µm Sn
Contact (Clip)		0,76µm Au		0,76µm Au

*XX=Plating Code
See Below*

*For Electrical,
Mechanical & Environmental
Data, See pg. 4*