



RAYCHEM | RAYCHEM ES-2000

TE Internal #: 829131P024

Black, 4:1, Dual Wall Tubing, Shrinks To .05 in [1.27 mm], Irradiated Modified Polyolefin, .225 in [5.72 mm] Inner Diameter, RAYCHEM ES-2000

[View on TE.com >](#)

Heat Shrink Tubing



Primary Product Color: **Black**

Wall Type: **Dual Wall**

Expanded Inside Diameter (Min): **5.72 mm [ .225 in ]**

Recovered Inside Diameter (Max): **1.27 mm [ .05 in ]**

Shrink Ratio: **4:1**

**Features**

**Product Type Features**

Wall Type	Dual Wall
-----------	-----------

**Electrical Characteristics**

Operating Voltage (Max)	.6 kV
-------------------------	-------

**Body Features**

Fluid Type	Brake Fluid, Diesel Fuel, Engine Cleaner, Engine Coolant, Gasoline, Lubricating Oil, Transmission Fluid, Water, Windshield Washer Fluid
Primary Product Color	Black
Shrink Ratio	4:1
Primary Product Material	Irradiated Modified Polyolefin
Flexibility	Semi-Rigid

**Dimensions**

Recovered Wall Thickness (Tolerance)	1.52 mm[.06 in]
Recovered Wall Thickness (Nominal)	1.2 mm[.047 in]
Product Length	90 mm[3.543 in]
Expanded Inside Diameter (Min)	5.72 mm[.225 in]
Recovered Inside Diameter (Max)	1.27 mm[.05 in]



Tubing Size Range 0 – 90 mm[0 – 3.54 in]

**Usage Conditions**

Shrink Temperature (Min)	110 °C
Resistance Properties	Immersion Protection, Moisture
Tubing Flammability Type	Flame-Retardant
Operating Temperature Range	-40 – 130 °C
Recovery Temperature	135 °C

**Operation/Application**

Mechanical Resistance	Abrasion, Fluids, Mechanical Damage, Strain Relief
-----------------------	--

**Product Availability**

Applicable Region	Global
-------------------	--------

**Packaging Features**

Packaging Method	Piece
------------------	-------

**Other**

Meets Low Outgassing Requirements	No
Product Source	China, Czech Republic

**Product Compliance**

[For compliance documentation, visit the product page on TE.com>](#)

EU RoHS Directive 2011/65/EU	Compliant
EU ELV Directive 2000/53/EC	Compliant
China RoHS 2 Directive MIIT Order No 32, 2016	No Restricted Materials Above Threshold
EU REACH Regulation (EC) No. 1907/2006	Current ECHA Candidate List: JUNE 2024 (241) Candidate List Declared Against: JUNE 2024 (241) Does not contain REACH SVHC
Halogen Content	Not Low Halogen - contains Br or Cl > 900 ppm.
Solder Process Capability	Not applicable for solder process capability

Product Compliance Disclaimer

This information is provided based on reasonable inquiry of our suppliers and represents our current actual knowledge based on the information they provided. This information is subject to change. The part numbers that TE has identified as EU RoHS compliant have a maximum concentration of 0.1% by weight in homogenous materials for lead, hexavalent chromium, mercury, PBB, PBDE, DBP, BBP, DEHP, DIBP, and 0.01% for cadmium, or qualify for an exemption to these

limits as defined in the Annexes of Directive 2011/65/EU (RoHS2). Finished electrical and electronic equipment products will be CE marked as required by Directive 2011/65/EU. Components may not be CE marked. Additionally, the part numbers that TE has identified as EU ELV compliant have a maximum concentration of 0.1% by weight in homogenous materials for lead, hexavalent chromium, and mercury, and 0.01% for cadmium, or qualify for an exemption to these limits as defined in the Annexes of Directive 2000/53/EC (ELV). Regarding the REACH Regulation, the information TE provides on SVHC in articles for this part number is based on the latest European Chemicals Agency (ECHA) 'Guidance on requirements for substances in articles' posted at this URL: <https://echa.europa.eu/guidance-documents/guidance-on-reach>

## Compatible Parts



TE Part # EG1114-000  
CV1981-ST-230V1600W-EU

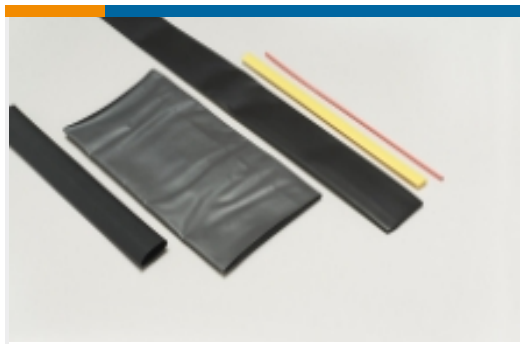


TE Part # 2326489-1  
MODEL 105 TUNNEL OVEN, 36" ENTRY, STAND A



TE Part # 955018-000  
CLTEQ-M105-TUNNEL-OVEN

## Also in the Series | RAYCHEM ES-2000

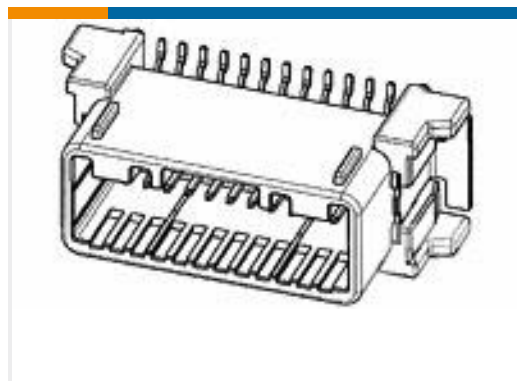


Heat Shrink Tubing(126)

## Customers Also Bought



TE Part #173852-1  
MULTILOCK, CONNECTOR HOUSING



TE Part #1717394-1  
0.64 SMD 24P CAP ASSY V-TYPE



TE Part #1746864-2  
TH/.025 CONNECTOR SYSTEM, HOUSING



TE Part #172026-1  
MIC PLUG 5P



TE Part #2040115-2  
0.50/1.0/2.8 SEALED PLUG ASSY  
72POS



TE Part #2134293-1  
2POS MQS REC SEALED



TE Part #3-2382932-1  
HVA630 INDIVIDUAL TYPE 5P COVER



TE Part #2381736-1  
HVA630 INDIVIDUAL TYPE 2P SEAL  
RETAINER

## Documents

### Product Drawings

[ES2000-NO.1-C1-0-90MM](#)

English

### Datasheets & Catalog Pages

[Measuring\\_Single\\_Wall\\_Tubing](#)

English

[ES2000 Pages from 9-1773447-9](#)

English

[Selecting\\_Correct\\_Tubing\\_1216](#)

English

[Flame-Retardant, Adhesive-Lined Heat-Shrinkable Tubing \(Extended Temp. Range\)](#)

English

### Product Specifications

[Application Specification](#)

English