

## Data Sheet | Item Number: 826-167

Feedthrough terminal block; Conductor/conductor connection; Plate thickness: 1 ...  
4 mm; 4 mm<sup>2</sup>; Pin spacing 7 mm; 7-pole; CAGE CLAMP®; 4,00 mm<sup>2</sup>; gray

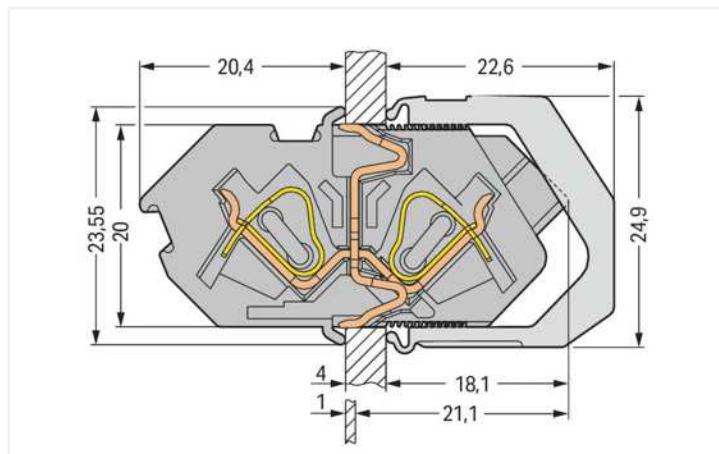


<https://www.wago.com/826-167>



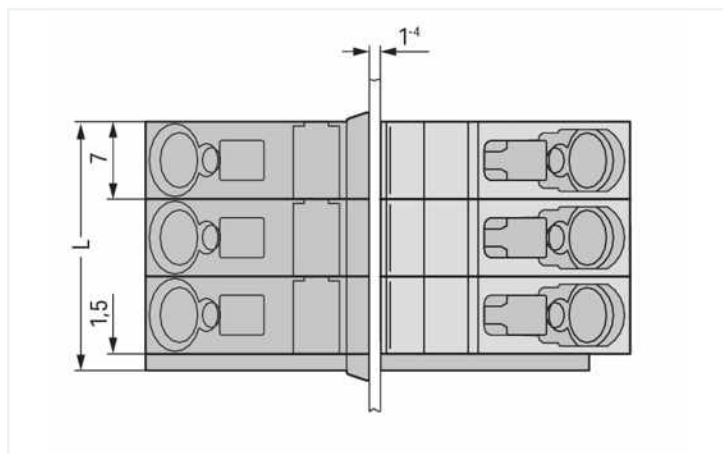
Color: ■ gray

Similar to illustration



Dimensions in mm

Cut-out dimensions: H = 20.1+0.1 mm; L = (pole no. x 7 mm) + 1.6+0.1 mm



Dimensions in mm

L = (pole no. x 7 mm) + 1.6 mm

- Feedthrough terminal blocks with screwdriver-actuated CAGE CLAMP® on both sides
- Easy, tool-free installation
- Direct ground contact with enclosure/panel
- Test ports available on both sides

### Notes

Variants:

Other pole numbers  
Other colors  
Direct marking  
Other versions (or variants) can be requested from WAGO Sales or configured at <https://configurator.wago.com/>.

### Electrical data

#### Ratings per IEC/EN

|                               |  |
|-------------------------------|--|
| Ratings per                   | IEC/EN 60664-1   |
| Ratings (note)                | Suitable for neutral-grounded, three-phase, 4-wire systems rated at 400 V (conductor-to-conductor) per IEC/EN 60664-1. |
| Nominal voltage (III/3)       | 320 V  |
| Rated impulse voltage (III/3) | 4 kV   |

#### Ratings per IEC/EN

|                               |       |
|-------------------------------|-------|
| Rated voltage (III/2)         | 320 V |
| Rated impulse voltage (III/2) | 4 kV  |
| Nominal voltage (II/2)        | 630 V |
| Rated surge voltage (II/2)    | 4 kV  |
| Rated current                 | 32 A  |

### Ratings per IEC/EN

|                  |  |
|------------------|--|
| Legend (ratings) | (III / 2) $\triangleq$ Overvoltage category III / Pollution degree 2 |
|------------------|--|

### Ratings per UL 1059

|                                |         |
|--------------------------------|---------|
| Approvals per                  | UL 1059 |
| Rated voltage UL (Use Group B) | 300 V   |
| Rated current UL (Use Group B) | 20 A    |
| Rated voltage UL (Use Group C) | 150 V   |
| Rated current UL (Use Group C) | 20 A    |
| Rated voltage UL (Use Group D) | 300 V   |
| Rated current UL (Use Group D) | 10 A    |

### Ratings per CSA

|                                 |       |
|---------------------------------|-------|
| Approvals per                   | CSA   |
| Rated voltage CSA (Use Group B) | 300 V |
| Rated current CSA (Use Group B) | 20 A  |
| Rated voltage CSA (Use Group C) | 150 V |
| Rated current CSA (Use Group C) | 20 A  |
| Rated voltage CSA (Use Group D) | 300 V |
| Rated current CSA (Use Group D) | 10 A  |

### Connection data

|                            |    |
|----------------------------|----|
| Connection points          | 14 |
| Total number of potentials | 7  |
| Number of connection types | 2  |
| Number of levels           | 1  |

### Connection 1

|   |  |
|---|--|
| Connection technology                             | CAGE CLAMP®                                |
| Actuation type                                    | Operating tool                             |
| Solid conductor                                   | 0.08 ... 4 mm <sup>2</sup> / 28 ... 12 AWG |
| Fine-stranded conductor                           | 0.08 ... 4 mm <sup>2</sup> / 28 ... 12 AWG |
| Fine-stranded conductor; with insulated ferrule   | 0.25 ... 2.5 mm <sup>2</sup>               |
| Fine-stranded conductor; with uninsulated ferrule | 0.25 ... 2.5 mm <sup>2</sup>               |
| Strip length                                      | 9 ... 10 mm / 0.35 ... 0.39 inches         |
| Pole number                                       | 7  |

### Physical data

|             |                         |
|-------------|-------------------------|
| Pin spacing | 7 mm / 0.276 inches     |
| Width       | 50.5 mm / 1.988 inches  |
| Height      | 23.55 mm / 0.927 inches |
| Depth       | 42.5 mm / 1.673 inches  |

### Mechanical Data

|                         |                                       |
|-------------------------|---------------------------------------|
| Housing sheet thickness | 1 ... 4 mm / 0.039 ... 0.157 inches   |
| Mounting type           | Locking claw<br>Feed-through mounting |

### Material Data

|                             |  |
|-----------------------------|--|
| Note (material data)        | <a href="#">Information on material specifications can be found here</a> |
| Color                       | gray   |
| Material group              | I  |
| Insulation material         | Polyamide (PA66)   |
| Flammability class per UL94 | V0   |
| Clamping spring material    | Chrome-nickel spring steel (CrNi)  |
| Contact material            | Electrolytic copper (E <sub>Cu</sub> )                                   |
| Contact plating             | Tin  |
| Fire load                   | 1.096 MJ   |
| Weight                      | 38 g   |

### Environmental requirements

|                         |                 |
|-------------------------|-----------------|
| Limit temperature range | -60 ... +105 °C |
| Processing temperature  | -35 ... +60 °C  |

### Commercial data

|                       |                                |
|-----------------------|--------------------------------|
| Product Group         | 4 (Printed Circuit Connectors) |
| eCl@ss 10.0           | 27-14-11-06                    |
| eCl@ss 9.0            | 27-14-11-06                    |
| ETIM 8.0              | EC001284                       |
| ETIM 7.0              | EC001284                       |
| PU (SPU)              | 25 pcs                         |
| Packaging type        | Box                            |
| Country of origin     | DE                             |
| GTIN                  | 4044918532815                  |
| Customs tariff number | 85369010000                    |