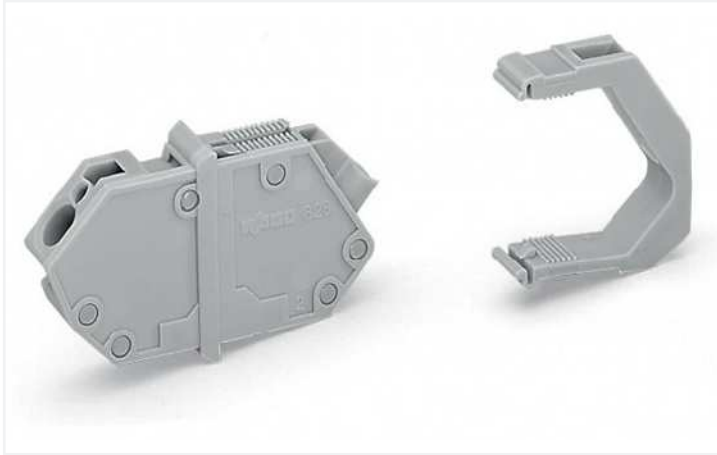


Data Sheet | Item Number: 826-161/000-006

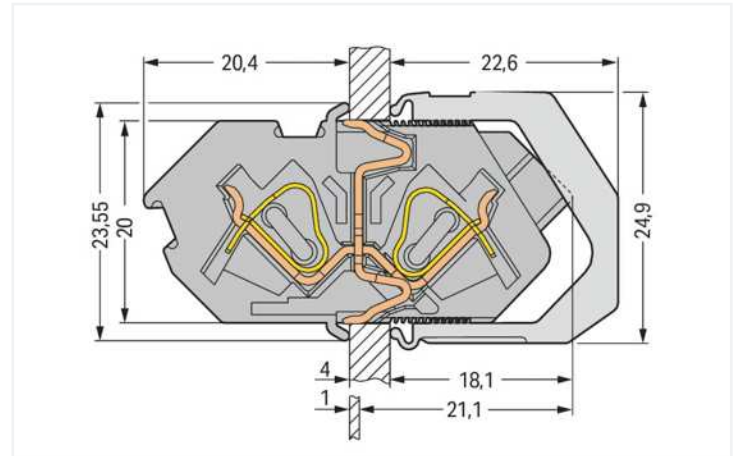
Feedthrough terminal block; Conductor/conductor connection; Plate thickness: 1 ...
4 mm; 4 mm²; Pin spacing 7 mm; 1-pole; CAGE CLAMP®; 4,00 mm²; blue



<https://www.wago.com/826-161/000-006>



Color:  blue



Dimensions in mm

Cut-out dimensions: H = 20.1+0.1 mm; L = (pole no. x 7 mm) + 1.6+0.1 mm

- Feedthrough terminal blocks with screwdriver-actuated CAGE CLAMP® on both sides
- Easy, tool-free installation
- Direct ground contact with enclosure/panel
- Test ports available on both sides