

Pushbutton, illuminated pushbutton, Ø 22 mm, stainless steel 316L, cable 200 mm, 180°

82-6655.2134



<https://eao.com/p/82-6655.2134>

Your product:



82-6655.2134

Pushbutton, illuminated pushbutton, Ø 22 mm, stainless steel 316L, cable 200 mm, 180°

FRONT

Front form:	round
Front bezel material:	Stainless steel 316L

MOUNTING

Mounting cut-out:	Ø 22 mm
--------------------------	---------

OPERATING-/INDICATION PART

Shape of illumination:	Ring (Tritan)
Lens material:	Stainless steel 316L
Lens illumination:	illuminative
Illumination colour:	Green
Lens optics:	opaque
Lens shape:	flush
Lens colour:	Silver

ELECTRICAL CHARACTERISTICS

Rated insulation voltage U_i:	250 V
Rated Operational Voltage U_e:	250 VAC
Pollution degree:	2, according to EN IEC 60947-1
Operating voltage:	24 V DC (LED)
Electrical lifetime:	50 000 cycles of operation
Thermal current I_{th}:	5 A

Electric strength: 1500 VAC, 50 Hz 1 minute between life terminals and ground

MECHANICAL CHARACTERISTIC

Mechanical lifetime: 500 000 cycles of operation

Switching action: Maintained

Switching system: Snap-action switching element

Operating force: 4 N ... 7 N

Tightening torque: 0.5 ... 0.6 Nm

Terminal: Cable 200 mm, 180°

Operating Travel: ca. 3 mm

Weight: 0.043 kg

AMBIENT CONDITION

Shock resistance: Max. 500 m / s² as per IEC 60068-2-27

Operating temperature: - 30 °C ... + 70 °C

IP front protection: IP65, IP67

Climate resistance: Damp heat, 21 days according to IEC 60512-11

Storage temperature: - 40 °C ... + 80 °C

Vibration resistance: 10 ... 500 Hz, amplitude 1.5 mm p-p according to IEC 60068-2-6

CERTIFICATE

Conformities: CE, 2011 / 65 / EC (RoHS), 2014 / 35 / EU (LVD)

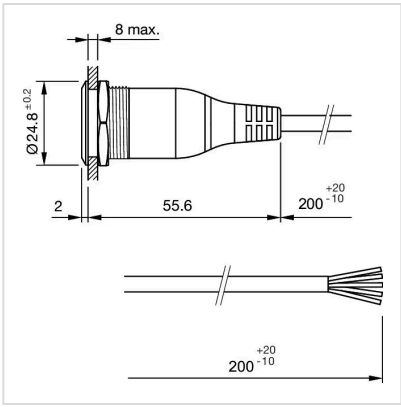
OTHER

Hints: Cable with certification ECE-R118

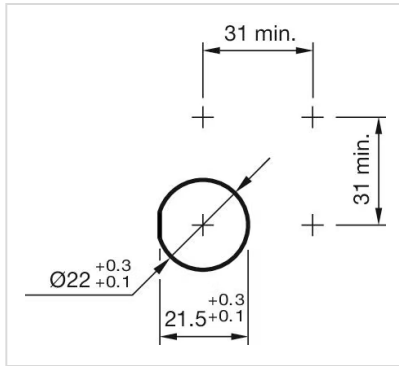
Kind of illumination: Single-LED

Short Description: Pushbutton, illuminated pushbutton, Ø 22 mm, stainless steel 316L, cable 200 mm, 180°, Maintained, 35 V AC/DC @ 0,6 A, 24 V DC (LED), Cable 200 mm, 180°, round, Stainless steel 316L, Green, Silver

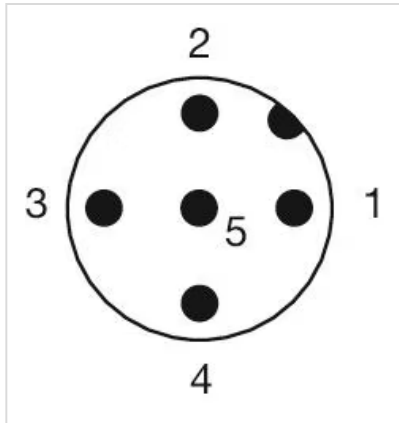
Dimension drawings:



Mounting cut-outs:



Component layouts:



Wiring diagrams:

