

# Illuminated pushbutton Ø 22 mm stainless steel 316L

82-6651.1124



<https://eao.com/p/82-6651.1124>

Your product:

---



## 82-6651.1124

Illuminated pushbutton Ø 22 mm  
stainless steel 316L

### FRONT

<b>Front form:</b>	round
<b>Front bezel material:</b>	Stainless steel 316L

### MOUNTING

<b>Mounting cut-out:</b>	Ø 22 mm
--------------------------	---------

### OPERATING-/INDICATION PART

<b>Lens optics:</b>	opaque
<b>Shape of illumination:</b>	Ring (Tritan)
<b>Lens illumination:</b>	illuminative
<b>Lens colour:</b>	Silver
<b>Illumination colour:</b>	Blue
<b>Lens material:</b>	Stainless steel 316L
<b>Lens shape:</b>	flush

### ELECTRICAL CHARACTERISTICS

<b>Operating voltage:</b>	24 V DC (LED)
<b>Rated insulation voltage <math>U_i</math>:</b>	250 V
<b>Contacts:</b>	1 C
<b>Electric strength:</b>	1500 VAC, 50 Hz 1 minute between life terminals and ground
<b>Thermal current <math>I_{th}</math>:</b>	5 A
<b>Rated Operational Voltage <math>U_e</math>:</b>	250 VAC

**Electrical lifetime:** 50 000 cycles of operation  
**Pollution degree:** 2, according to EN IEC 60947-1

### MECHANICAL CHARACTERISTIC

**Weight:** 0.026 kg  
**Operating force:** 4 N ... 7 N  
**Switching system:** Snap-action switching element  
**Terminal:** Plug-in terminal, 2.8 x 0.5 mm  
**Contact material:** Silver  
**Operating Travel:** ca. 3 mm  
**Tightening torque:** 0.5 ... 0.6 Nm  
**Switching action:** Momentary  
**Mechanical lifetime:** 1 Mio. cycles of operation

### AMBIENT CONDITION

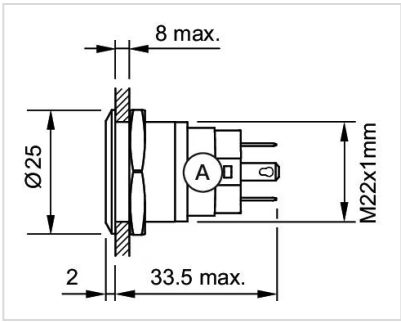
**IP front protection:** IP65, IP67  
**Climate resistance:** Damp heat, 21 days according to IEC 60512-11  
**Storage temperature:** - 40 °C ... + 80 °C  
**Operating temperature:** - 30 °C ... + 70 °C  
**Vibration resistance:** 10 ... 500 Hz, amplitude 1.5 mm p-p according to IEC 60068-2-6  
**Shock resistance:** Max. 500 m / s<sup>2</sup> as per IEC 60068-2-27

### CERTIFICATE

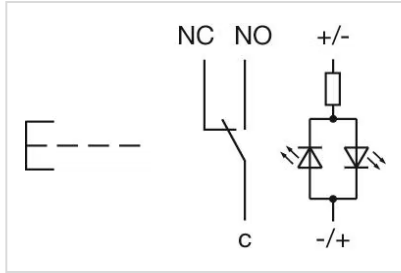
**Conformities:** CE, 2011 / 65 / EC (RoHS), 2014 / 35 / EU (LVD)  
**Approbations:** CB, CCC, C UL, UL

### OTHER

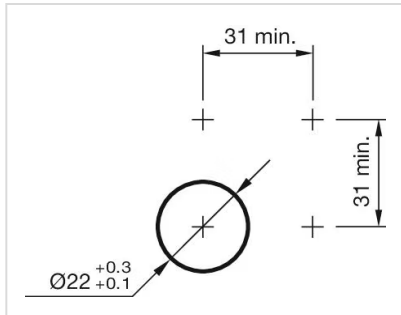
**Short Description:** Illuminated pushbutton Ø 22 mm stainless steel 316L, Momentary, 36 V AC/DC @ 0,6 A, 24 V DC (LED), 1 C, Plug-in terminal, 2.8 x 0.5 mm, round, Stainless steel 316L, Blue, Silver  
**Kind of illumination:** Single-LED  
**Hints:** Switching voltage: max. 36 V AC/1A, max. 36 V DC/0.6  
**Dimension drawings:**



**Wiring diagrams:**



**Mounting cut-outs:**



**Component layouts:**

