

Illuminated pushbutton Ø 22 mm stainless steel 316L

82-6651.1114



<https://eao.com/p/82-6651.1114>

Your product:



82-6651.1114 Illuminated pushbutton Ø 22 mm stainless steel 316L

FRONT

Front bezel material: Stainless steel 316L

Front form: round

MOUNTING

Mounting cut-out: Ø 22 mm

OPERATING-/INDICATION PART

Lens optics: opaque

Lens shape: flush

Lens material: Stainless steel 316L

Shape of illumination: Ring (Tritan)

Lens colour: Silver

Illumination colour: Red

Lens illumination: illuminative

ELECTRICAL CHARACTERISTICS

Pollution degree: 2, according to EN IEC 60947-1

Thermal current I_{th}: 5 A

Electric strength: 1500 VAC, 50 Hz 1 minute between life terminals and ground

Rated Operational Voltage U_e: 250 VAC

Contacts: 1 C

Rated insulation voltage U_i: 250 V

Operating voltage: 24 V DC (LED)
Electrical lifetime: 50 000 cycles of operation

MECHANICAL CHARACTERISTIC

Switching action: Momentary
Switching system: Snap-action switching element
Terminal: Plug-in terminal, 2.8 x 0.5 mm
Operating force: 4 N ... 7 N
Contact material: Silver
Tightening torque: 0.5 ... 0.6 Nm
Weight: 0.026 kg
Mechanical lifetime: 1 Mio. cycles of operation
Operating Travel: ca. 3 mm

AMBIENT CONDITION

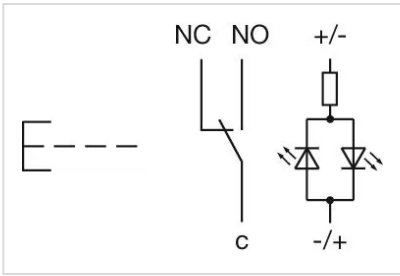
Shock resistance: Max. 500 m / s² as per IEC 60068-2-27
Operating temperature: – 30 °C ... + 70 °C
Climate resistance: Damp heat, 21 days according to IEC 60512-11
Storage temperature: – 40 °C ... + 80 °C
IP front protection: IP65, IP67
Vibration resistance: 10 ... 500 Hz, amplitude 1.5 mm p-p according to IEC 60068-2-6

CERTIFICATE

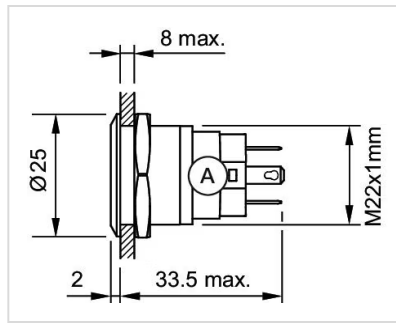
Conformities: CE, 2011 / 65 / EC (RoHS), 2014 / 35 / EU (LVD)
Approbations: CB, CCC, C UL, UL

OTHER

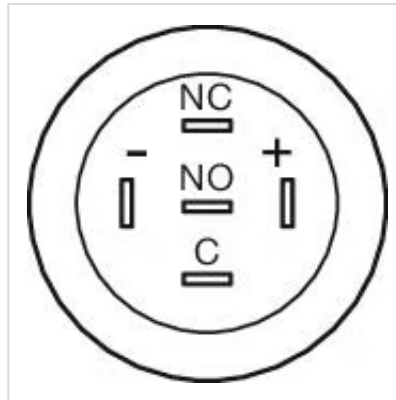
Kind of illumination: Single-LED
Hints: Switching voltage: max. 36 V AC/1A, max. 36 V DC/0.6
Short Description: Illuminated pushbutton Ø 22 mm stainless steel 316L, Momentary, 36 V AC/DC @ 0,6 A, 24 V DC (LED), 1 C, Plug-in terminal, 2.8 x 0.5 mm, round, Stainless steel 316L, Red, Silver
Wiring diagrams:



Dimension drawings:



Component layouts:



Mounting cut-outs:

