

Crydom

See full Datasheet below...

onlinecomponents.com
THE ONLINE DISTRIBUTOR OF ELECTRONIC COMPONENTS

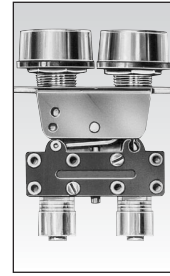
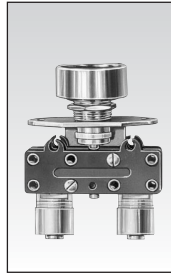
BUY NOW

 **MASTER**TM
E L E C T R O N I C S

BUY NOW

masterelectronics.com & onlinecomponents.com
are **authorized** e-commerce distributors
of electronic components.

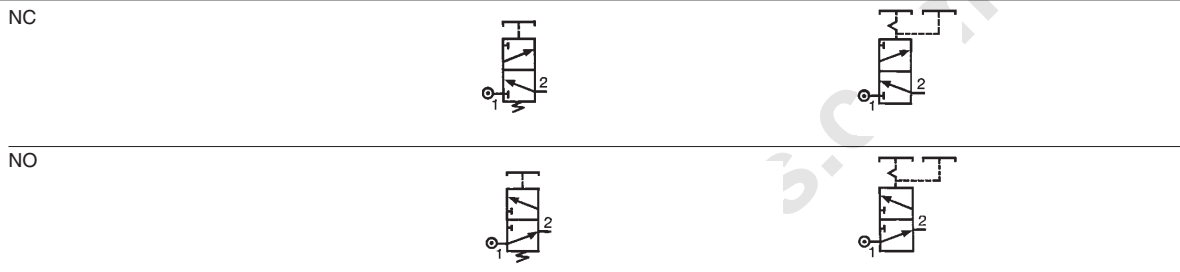
Manual Control Valves for 1/2" (12mm) hole size



Part Number

Features		Round push button	Round double push button
Version	NC	black 81 735 511	—
		red 81 735 512	—
NO		black/red —	81 733 511
		black 81 735 011	—
		red —	—
	black/red —	—	—

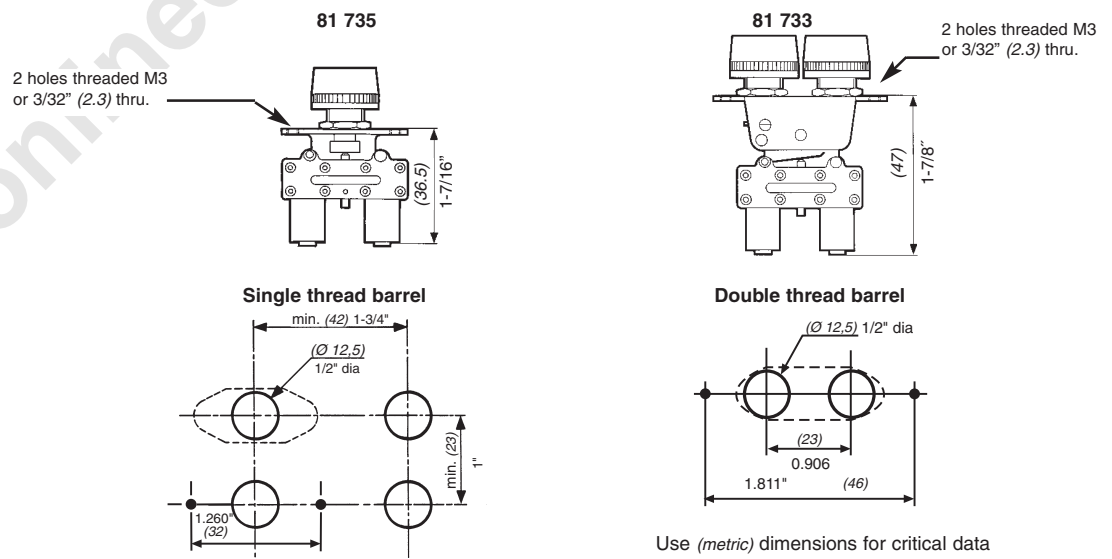
Symbol



Characteristics

Operating Pressure	PSI (bar)	30 > 120 (2 > 8)	30 > 120 (2 > 8)
Internal orifice	inches (mm)	0.106" (2.7)	0.106" (2.7)
Flow @ 90 PSI (6 bar)	cfm (Nm ³ /h)	7 (200)	7 (200)
Valve	NC : black NO : grey	●	●
Operating force	lbs. (N)	2 > 4 (8 > 18)	2 > 4 (8 > 18)
Effective travel	inches (mm)	0.04 (1)	0.04 (1)
Fluid: dry or lubricated air		●	●
Push-in connection for semi-rigid tubing O.D. (NFE 49100)	inches (mm)	5/32" (4)	5/32" (4)
Operating temperature	°F (°C)	+20 > +120 (-5 > +50)	+20 > +120 (-5 > +50)
Mechanical life		1.5 million	1.5 million
Weight	grams	35	35

Dimensions



Use (metric) dimensions for critical data

Other Information

on request

Part Numbers. : 81 702 011 / 511 - 81 715 012 - 81 716 011 / 012 - 81 731 011 / 511 - 81 733 011
81 734 011 / 012 / 511 / 512 - 81 735 012 - 81 752 012 / 512

Products and specifications subject to change without notice.

Order/Technical Support – Tel: (800) 677-5311 / FAX: (800) 677-3865 / www.crouzet-usa.com



