



RPS

TE Internal #: 816855-000

Printable Tubing, Ladder, Commercial, 3:1 Shrink Ratio, Yellow, 2

Prescore, Markers per Sleeve 3, Length .5 in [12.7 mm], RPS

[View on TE.com >](#)

Identification & Labeling > Printable Tubing > RPS Commercial Grade Sleeves



Printable Tubing Type: **Ladder**

Printable Tubing Grade: **Commercial**

Shrink Ratio: **3:1**

Primary Product Color: **Yellow**

Number of Prescores: **2**

[All RPS Commercial Grade Sleeves \(74\)](#)

Features

Product Type Features

Printable Tubing Type	Ladder
Printable Tubing Grade	Commercial

Body Features

Shrink Ratio	3:1
Primary Product Color	Yellow
Markers per Sleeve	3

Dimensions

Product Length	12.7 mm [.5 in]
Expanded Inside Diameter (Min)	3.18 mm [.125 in]
Recovered Inside Diameter (Max)	1.07 mm [.042 in]
Compatible Cable Diameter Range	1.2 – 2.7 mm [.046 – .105 in]

Usage Conditions

Operating Temperature Range	-30 – 105 °C [-22 – 221 °F]
-----------------------------	-----------------------------

Printer/Label Features

Printer Technology	Thermal Transfer
Number of Prescores	2



Product Compliance

[For compliance documentation, visit the product page on TE.com>](#)

EU RoHS Directive 2011/65/EU	Compliant
EU ELV Directive 2000/53/EC	Compliant
China RoHS 2 Directive MIIT Order No 32, 2016	No Restricted Materials Above Threshold
EU REACH Regulation (EC) No. 1907/2006	Current ECHA Candidate List: JUNE 2024 (241) Candidate List Declared Against: JUNE 2024 (241) Does not contain REACH SVHC
Halogen Content	Not Low Halogen - contains Br or Cl > 900 ppm.
Solder Process Capability	Not applicable for solder process capability

Product Compliance Disclaimer

This information is provided based on reasonable inquiry of our suppliers and represents our current actual knowledge based on the information they provided. This information is subject to change. The part numbers that TE has identified as EU RoHS compliant have a maximum concentration of 0.1% by weight in homogenous materials for lead, hexavalent chromium, mercury, PBB, PBDE, DBP, BBP, DEHP, DIBP, and 0.01% for cadmium, or qualify for an exemption to these limits as defined in the Annexes of Directive 2011/65/EU (RoHS2). Finished electrical and electronic equipment products will be CE marked as required by Directive 2011/65/EU. Components may not be CE marked. Additionally, the part numbers that TE has identified as EU ELV compliant have a maximum concentration of 0.1% by weight in homogenous materials for lead, hexavalent chromium, and mercury, and 0.01% for cadmium, or qualify for an exemption to these limits as defined in the Annexes of Directive 2000/53/EC (ELV). Regarding the REACH Regulation, the information TE provides on SVHC in articles for this part number is based on the latest European Chemicals Agency (ECHA) 'Guidance on requirements for substances in articles' posted at this URL: <https://echa.europa.eu/guidance-documents/guidance-on-reach>

Compatible Parts

 <p>TE Part # 1-2186500-1 T3212-PRINTER</p>	 <p>TE Part # 1-2186502-1 T3224-PRINTER</p>	 <p>TE Part # 1-2186503-1 T3224-SWARE-PRINTER</p>	 <p>TE Part # 1-2186501-1 T3212-SWARE-PRINTER</p>
--	--	--	--

Also in the Series | RPS



Printable Tubing(74)

Customers Also Bought



TE Part #DT04-2P
REC, 2P, GRY, N



TE Part #DT06-2S
PLG, 2P, GRY, N



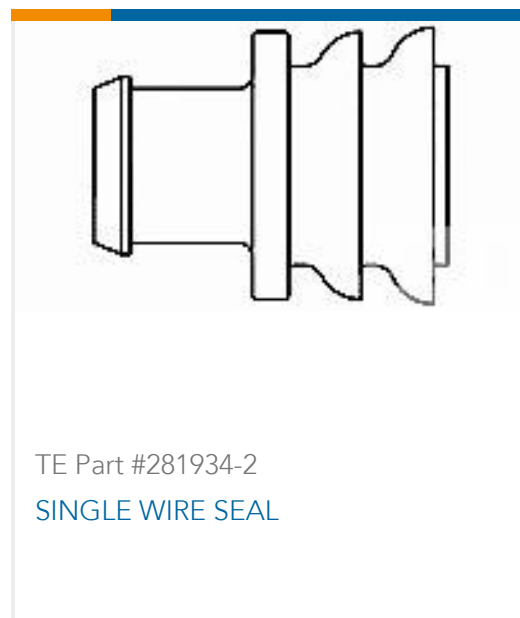
TE Part #W2S
Wedgelocks: DEUTSCH DT



TE Part #0460-202-16141
DEUTSCH Solid Contacts



TE Part #282104-1
AMP SUPERSEAL 1.5MM,
CONNECTOR HOUSING



TE Part #281934-2
SINGLE WIRE SEAL



TE Part #114017-ZZ
SEALING PLUG, SIZE 12/16, WHT

Documents

Product Specifications

[Product Specification](#)

English

IDENTIFICATION PRINTER PRODUCT RIBBON MATRIX

English

Instruction Sheets

[Instruction Sheet \(non U.S.\)](#)

English