



Product Compliance

[For compliance documentation, visit the product page on TE.com>](#)

| | |
|---|--|
| EU RoHS Directive 2011/65/EU | Compliant |
| EU ELV Directive 2000/53/EC | Compliant |
| China RoHS 2 Directive MIIT Order No 32, 2016 | No Restricted Materials Above Threshold |
| EU REACH Regulation (EC) No. 1907/2006 | Current ECHA Candidate List: JUNE 2024 (241) Candidate List Declared Against: JAN 2021 (211) Does not contain REACH SVHC |
| Halogen Content | Not Yet Reviewed for halogen content |
| Solder Process Capability | Not reviewed for solder process capability |

Product Compliance Disclaimer

This information is provided based on reasonable inquiry of our suppliers and represents our current actual knowledge based on the information they provided. This information is subject to change. The part numbers that TE has identified as EU RoHS compliant have a maximum concentration of 0.1% by weight in homogenous materials for lead, hexavalent chromium, mercury, PBB, PBDE, DBP, BBP, DEHP, DIBP, and 0.01% for cadmium, or qualify for an exemption to these limits as defined in the Annexes of Directive 2011/65/EU (RoHS2). Finished electrical and electronic equipment products will be CE marked as required by Directive 2011/65/EU. Components may not be CE marked. Additionally, the part numbers that TE has identified as EU ELV compliant have a maximum concentration of 0.1% by weight in homogenous materials for lead, hexavalent chromium, and mercury, and 0.01% for cadmium, or qualify for an exemption to these limits as defined in the Annexes of Directive 2000/53/EC (ELV). Regarding the REACH Regulation, the information TE provides on SVHC in articles for this part number is based on the latest European Chemicals Agency (ECHA) 'Guidance on requirements for substances in articles' posted at this URL: <https://echa.europa.eu/guidance-documents/guidance-on-reach>

Customers Also Bought

TE Part #8-324075-1
TERMINAL,PIDG R 26-22 10

TE Part #823748-000
382A012-4-0

TE Part #CTJ120E01B-513
MODULE ASSY

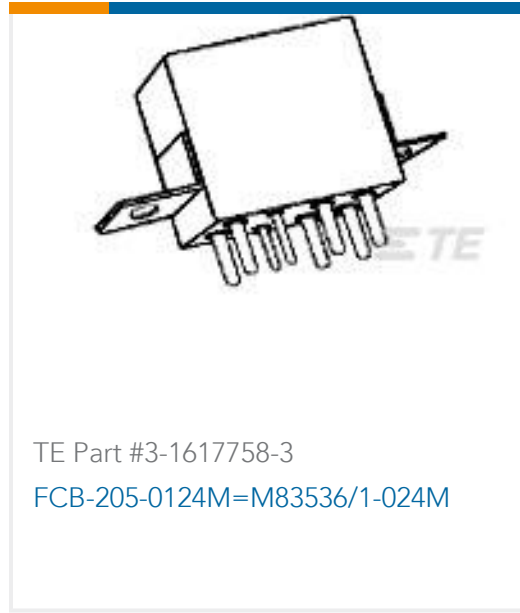
TE Part #2286003-1
DT06-2S-SDT-CE27-2POS,CE,SOC.
HSG



TE Part #5-1437567-0
MPG106F=(MSPG) SWITCH
PUSHBUTT



TE Part #ZPF000000000121739
182-0862-22



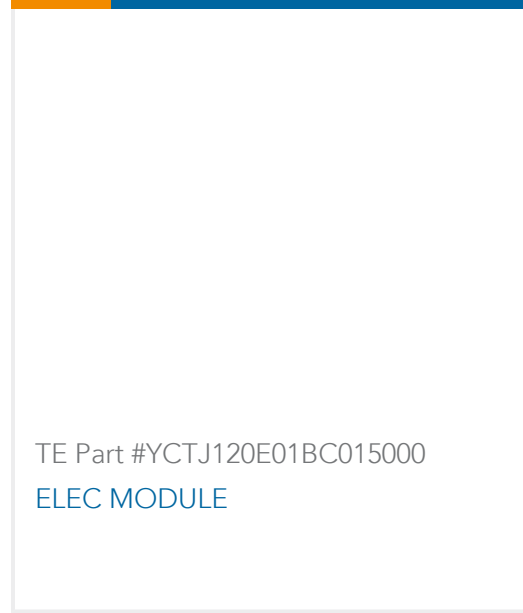
TE Part #3-1617758-3
FCB-205-0124M=M83536/1-024M



TE Part #D369-STB-3
369 3 WAY BACKSHELL STRAIGHT
TIE WRAP



TE Part #D369-STB-6
369 6 WAY BACKSHELL STRAIGHT
TIE WRAP



TE Part #YCTJ120E01BC015000
ELEC MODULE

Documents

Product Drawings

SUPERSEDED BY ZPF00000000097891

English