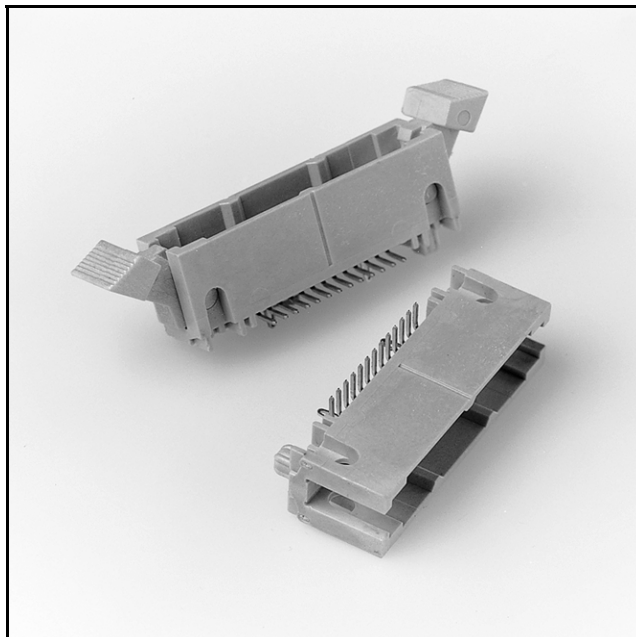


3M™ Pak 50 4-Wall, Tripolarized Header

.050" × .100" Latch/Ejector, Straight, Surface Mount

810 Series



- Tripolarization to mating socket
- 50 mil × 100 mil halves the connector length
- Latch and eject for rugged high performance applications
- High temperature plastic
- Four-wall shroud provides contact protection
- Contacts: 20, 26, 36, 40, 50, 60, 68, 80 and 100

Date Modified: October 21, 2004

TS-0583-13
Sheet 1 of 3

Physical

Insulation

Material: High Temperature Plastic (LCP)
Flammability: UL 94V-0
Color: Ivory (Natural)

Contact

Material: Copper Alloy

Plating

Underplating: 100 μ" [2.54 μm] Nickel - QQ-N-290, Class 2
Wiping Area: 30 μ" [0.76 μm] Gold - MIL-G-45204, Type II, Grade C
Solder Tails: 100 μ" [2.54 μm] 90/10 Tin Lead

Marking: 3M Logo, Part Number and Orientation Triangle

Electrical

Current Rating: 0.5 A
Insulation Resistance: $> 1 \times 10^9 \Omega$ at 500 Vdc
Withstanding Voltage: 500 Vrms at Sea Level

Environmental

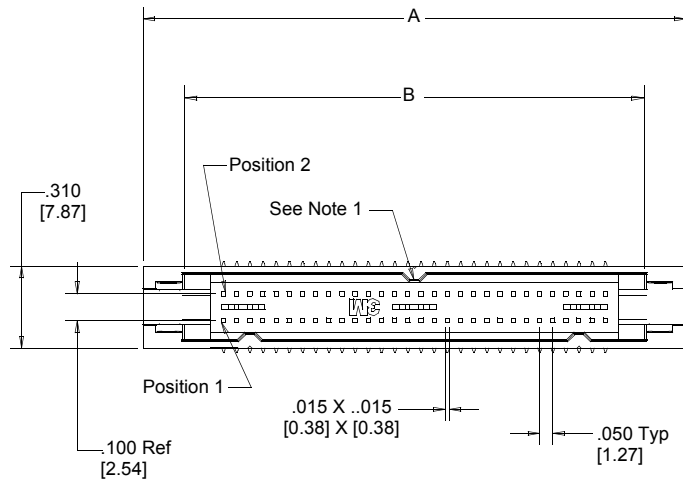
Operating Temperature Rating: -55°C to +105°C
Process Temperature Rating: 250°C Max, with 90 seconds above 230°C

UL File No.: E68080

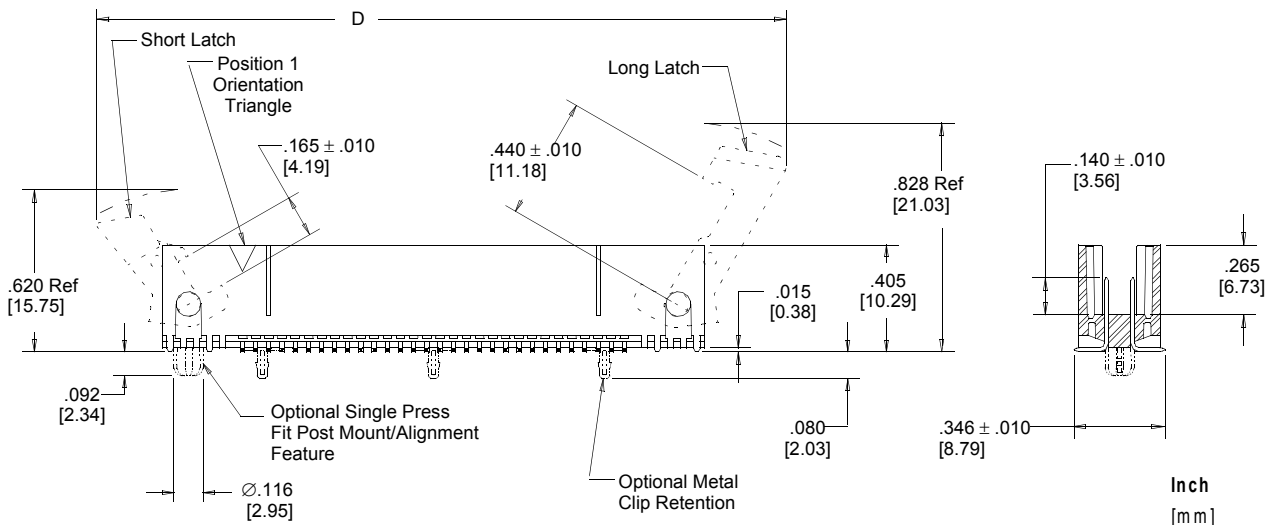
3M™ Pak 50 4-Wall, Tripolarized Header

.050" × .100" Latch/Ejector, Straight, Surface Mount

810 Series



Contact Qty	Dimensions			
	A	B	D Short Ref	D Long Ref
020	1.060 [26.92]	.722 [18.34]	1.671 [42.44]	1.842 [46.77]
026	1.210 [30.73]	.872 [22.15]	1.817 [46.15]	1.987 [50.47]
036	1.460 [37.08]	1.122 [28.50]	2.070 [52.58]	2.274 [57.76]
040	1.560 [39.62]	1.222 [31.04]	2.170 [55.12]	2.365 [60.07]
050	1.810 [45.97]	1.472 [37.39]	2.421 [61.49]	2.609 [66.27]
060	2.060 [52.32]	1.722 [43.74]	2.671 [67.84]	2.872 [72.95]
068	2.260 [57.40]	1.922 [48.82]	2.870 [72.90]	3.083 [78.31]
080	2.560 [65.02]	2.222 [56.44]	3.178 [80.72]	3.370 [85.60]
100	3.060 [77.72]	2.722 [69.14]	3.676 [93.37]	3.875 [98.43]



Tolerance Unless Noted			
	.0	.00	.000
inch	±.1	±.01	±.005

[] Dimensions for Reference Only

Notes:

1. This polarization bump does not exist on the 20 position header.
2. Recommended to be mated to the .050" X .100" 82XXX Series Wiremount Socket.

Ordering Information

Header

81XXX-6X0C0X

Contact Quantity
(See Table 1)

Ejector/Latch System:

- 0 = None
- 5 = With Short Ejectors Installed
- 6 = With Long Ejector Latches Installed

Board Mounting Options:

- 1 = None
- 4 = Press Fit Post Mount at Position 1 end
- 7 = Metal retention clips
- 8 = #1 end press fit post & metal retention clips

Ejector / Latch

3505-29

Ejector
(Short)

3505-28

Ejector/Latch
(Long)

TS-0583-13
Sheet 2 of 3



Interconnect Solutions

<http://www.3M.com/interconnects/>

3M is a trademark of 3M Company.

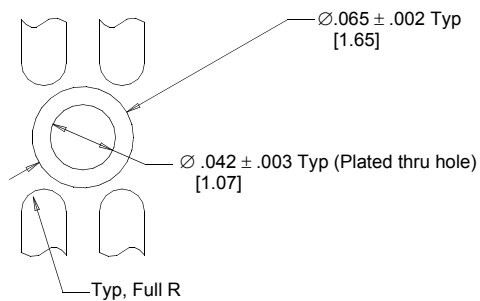
For technical, sales or ordering information call

800-225-5373

3M™ Pak 50 4-Wall, Tripolarized Header

.050" × .100" Latch/Ejector, Straight, Surface Mount

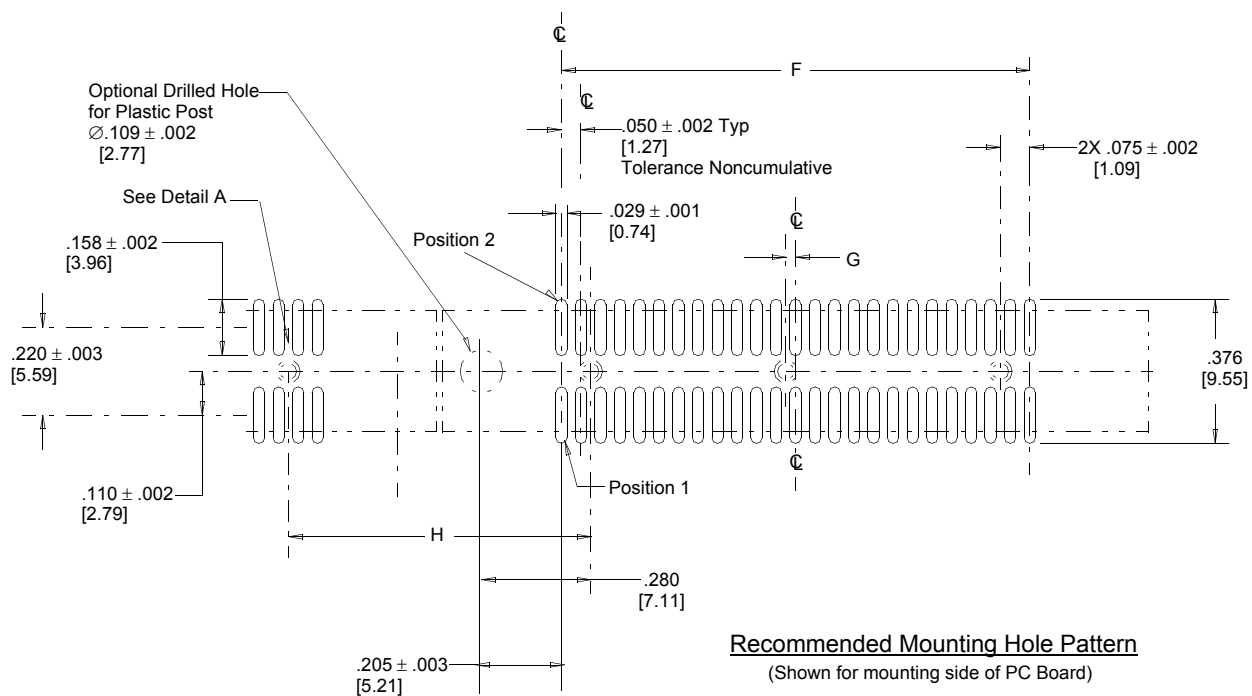
810 Series



Detail A
Optional plated thru hole for metal clip retention

Ejector Latches	Dimensions
	H Min
No	.775 [19.69]
Short	1.085 [27.56]
Long	1.21 [30.73]

No. of Positions	Dimensions	
	F	G
20	.450 [11.43]	N/A
26	.600 [15.24]	N/A
36	.850 [21.59]	N/A
40	.950 [24.13]	N/A
50	1.200 [30.48]	.025 [6.35]
60	1.450 [36.83]	0.000
68	1.650 [41.91]	0.000
80	1.950 [49.53]	0.000
100	2.450 [62.23]	0.000



TS-0583-13
Sheet 3 of 3

Important Notice

All statements, technical information, and recommendations related to 3M's products are based on information believed to be reliable, but the accuracy or completeness is not guaranteed. Before using this product, you must evaluate it and determine if it is suitable for your intended application. You assume all risks and liability associated with such use. Any statements related to the product which are not contained in 3M's current publications, or any contrary statements contained on your purchase order shall have no force or effect unless expressly agreed upon, in writing, by an authorized officer of 3M.

Warranty; Limited Remedy; Limited Liability.

This product will be free from defects in material and manufacture for a period of 1 year from the time of purchase. **3M MAKES NO OTHER WARRANTIES INCLUDING, BUT NOT LIMITED TO, ANY IMPLIED WARRANTY OF MERCHANTABILITY OR FITNESS FOR A PARTICULAR PURPOSE.** If this product is defective within the warranty period stated above, your exclusive remedy shall be, at 3M's option, to replace or repair the 3M product or refund the purchase price of the 3M product. **Except where prohibited by law, 3M will not be liable for any indirect, special, incidental or consequential loss or damage arising from this 3M product, regardless of the legal theory asserted.**

3M

Electronic Solutions Division

6801 River Place Blvd.
Austin, TX 78726-9000
www.3M.com/esd



Minimum 10%
Post-consumer Fiber

Printed in USA.

© 3M 2004