

8080-1G25 x OBSOLETE

Alcoswitch ADP

TE Internal #: 4-1437504-1

TE Internal Description: 8080-1G25=TRANSISTOR SOCKET AS

[View on TE.com >](#)



## Product Compliance

[For compliance documentation, visit the product page on TE.com>](#)

EU RoHS Directive 2011/65/EU	Not Compliant
EU ELV Directive 2000/53/EC	Compliant with Exemptions
China RoHS 2 Directive MIIT Order No 32, 2016	Restricted Materials Above Threshold
EU REACH Regulation (EC) No. 1907/2006	Current ECHA Candidate List: JUNE 2024 (241) Candidate List Declared Against: JUNE 2024 (241) SVHC > Threshold: Pb (13% in Component Part) DCP (1% in Component Part) <small><b>Article Safe Usage Statements:</b> Do not eat, drink or smoke when using this product. Wash thoroughly after handling. Recycle if possible and dispose of the article by following all applicable governmental regulations relevant to your geographic location.</small>
Halogen Content	Not Low Halogen - contains Br or Cl > 900 ppm.
Solder Process Capability	Wave solder capable to 265°C

### Product Compliance Disclaimer

This information is provided based on reasonable inquiry of our suppliers and represents our current actual knowledge based on the information they provided. This information is subject to change. The part numbers that TE has identified as EU RoHS compliant have a maximum concentration of 0.1% by weight in homogenous materials for lead, hexavalent chromium, mercury, PBB, PBDE, DBP, BBP, DEHP, DIBP, and 0.01% for cadmium, or qualify for an exemption to these limits as defined in the Annexes of Directive 2011/65/EU (RoHS2). Finished electrical and electronic equipment products will be CE marked as required by Directive 2011/65/EU. Components may not be CE marked. Additionally, the part numbers that TE has identified as EU ELV compliant have a maximum concentration of 0.1% by weight in homogenous materials for lead, hexavalent chromium, and mercury, and 0.01% for cadmium, or qualify for an exemption to these limits as defined in the Annexes of Directive 2000/53/EC (ELV). Regarding the REACH Regulation, the information TE provides on SVHC in articles for this part number is based on the latest European Chemicals Agency (ECHA) 'Guidance on requirements for substances in articles' posted at this URL: <https://echa.europa.eu/guidance-documents/guidance-on-reach>

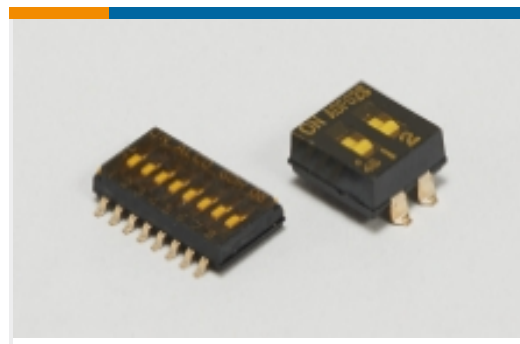
Also in the Series | [Alcoswitch ADP](#)



Automotive Housings(1)



Card Edge Connector Housings(4)



DIP & SIP Switches(8)



RJ45 Connectors(1)

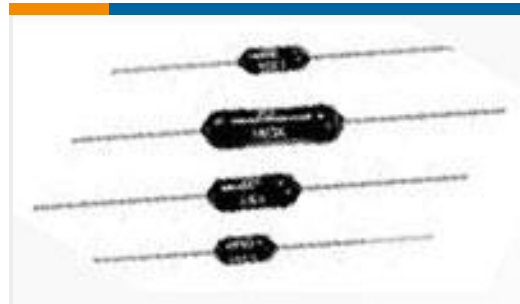
## Customers Also Bought



TE Part #1623727-1  
SBCH 7 4K7 5%



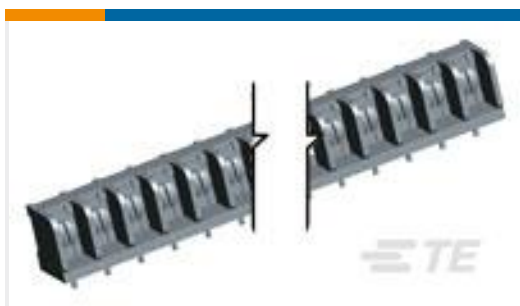
TE Part #1-1623733-2  
SBCHE7 4K7 5%



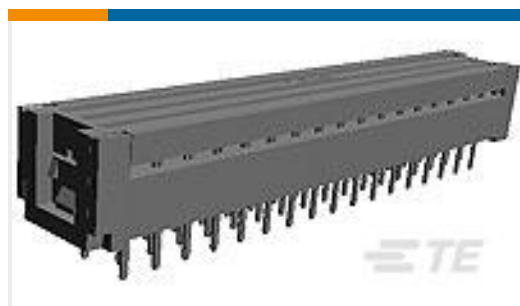
TE Part #9-1879627-5  
H4P 82K 1% 100PPM



TE Part #5-2176404-3  
3550 2M0 1%



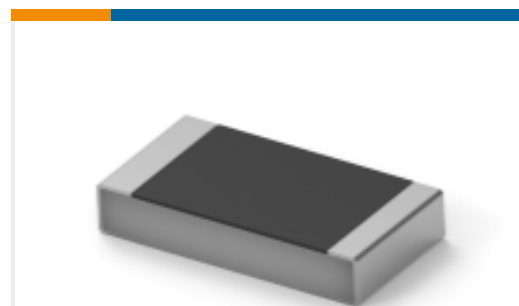
TE Part #1546399-7  
6PCR-21-006=#6 TRIBARRIER



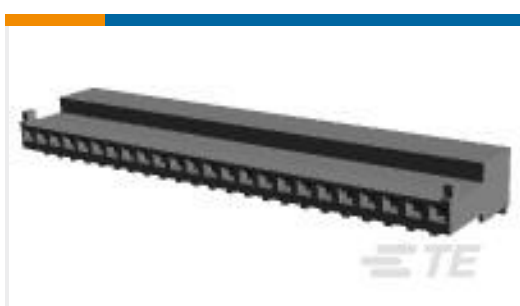
TE Part #5111595-2  
014 ASSY SYS 50 PADDLEBOARD



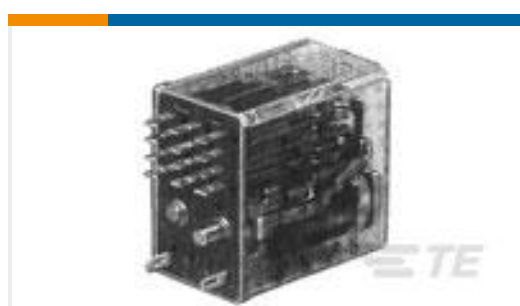
TE Part #6-1617543-8  
JMSRDD-18XL=M39016/21-023L



TE Part #3-2176458-2  
CPF 1206 2R1 0.1% 25ppm 1K RL



TE Part #5-643814-4  
24P MTA100 CONN ASSY POL SN



TE Part #3-1393767-9  
R10-E2Z2-J1.0K=R10

## Documents

### Product Drawings

8080-1G25=TRANSISTOR SOCKET AS

English

### CAD Files

3D PDF

3D

Customer View Model

ENG\_CVM\_CVM\_4-1437504-1\_C.2d\_dxf.zip



English

Customer View Model

[ENG\\_CVM\\_CVM\\_4-1437504-1\\_C.3d\\_igs.zip](#)

English

Customer View Model

[ENG\\_CVM\\_CVM\\_4-1437504-1\\_C.3d\\_stp.zip](#)

English

By downloading the CAD file I accept and agree to the [Terms and Conditions](#) of use.