

The logo for Glennair, featuring a large blue 'G' on a white background, followed by the word 'lennair' in a black serif font with a registered trademark symbol.

Series 80 Mighty Mouse Connectors & Cables

*The Shielded Environmental Connector with
Mil-Spec Performance and Ultraminiature*

United States ■ United Kingdom ■ Germany ■ France ■ Nordic



✓
**In
Stock!**

- 43 Insert Arrangements
- Six Shell Styles
- From One to 130 Crimp/PCB Contacts
- Point-to-Point Cordsets

SERIES 80

MIGHTY MOUSE

- ◆ **Up To 71% Weight Savings and 52% Size Savings Compared to MIL-DTL-38999**
- ◆ **The World's Best Availability—Thousands of Part Numbers In Stock and Ready for Immediate Same-Day Shipment**



Series 801
Mighty Mouse
7 Contacts



MIL-DTL-38999
6 Contacts



Series 80 Connectors and Accessories Table of Contents



A

Contacts, Crimp Tools and Assembly Tools



Product Selection Guide.....A-1
 Size #23 ContactsA-3
 Size #20HD ContactsA-5
 Size #12,#16, #20 ContactsA-6
 Pneumatic ContactsA-9
 Sealing Plugs.....A-9

Crimp ToolsA-10
 Insertion/Removal Tools.....A-12
 Contact Retention Tester.....A-12
BAND-IT® ToolA-13
 Tightening ToolsA-14

A

B

General Information and Reference



Contact Arrangements.....B-1
 Printed Circuit Board Layouts.....B-5
 Torque ValuesB-21
 SpecificationsB-22

Series 80 Product SpecB-23
 Space Flight InformationB-29
 Modification CodesB-33
 Material/Finish CodesB-33

B

C

Series 800 Connectors
Original Mighty Mouse with UNF Threads



Selection GuideC-1
 Contact ArrangementsC-2
 General Information.....C-3
 Plugs.....C-5
 Crimp ReceptaclesC-7

PCB ReceptaclesC-11
 Right Angle PCB RecepC-14
 Hermetic ReceptaclesC-18
 Cordsets.....C-21
 Protective Covers.....C-25

C

D

Series 801 Connectors
Rugged Double-Start ACME Threads



Selection GuideD-1
 Contact Arrangements.....D-2
 General Information.....D-3
 Plugs.....D-6
 Receptacles.....D-8

Right Angle PCB RecepD-14
 Hermetic ReceptaclesD-17
 Connector SaversD-21
 Cordsets.....D-23
 Protective Covers.....D-27

D

E

Series 802 Connectors
"AquaMouse" 3500 PSI



Selection GuideE-1
 Contact Arrangements.....E-2
 General Information.....E-3
 PlugsE-4

ReceptaclesE-6
 Hermetic Receptacles.....E-14
 Cordsets.....E-19
 Protective Covers.....E-23

E

F

Series 803 Connectors
Bayonet



Selection GuideF-1
 Contact Arrangements.....F-2
 General Information.....F-3
 PlugsF-5

ReceptaclesF-7
 Hermetic Receptacles.....F-13
 Cordsets.....F-15
 Protective Covers.....F-19

F

G

Series 804 Connectors
Push-Pull



Selection GuideG-1
 Contact Arrangements.....G-2
 General Information.....G-3
 PlugsG-5

ReceptaclesG-7
 Panel Mount PlugsG-14
 Hermetic Receptacles.....G-18
 Cordsets.....G-21
 Protective Covers.....G-25

G

H

Series 805 Connectors
Triple-Start ACME Threads



Selection GuideH-1
 Contact Arrangements.....H-2
 General Information.....H-3
 Weights.....H-5
 PlugsH-6

ReceptaclesH-8
 Hermetic Receptacles.....H-15
 Connector SaversH-19
 Cordsets.....H-21
 Protective Covers.....H-25

H

J

Filtered Connectors
Planar Array Low-Pass



Filtered Mighty Mouse IntroJ-1
 Series 801 Filtered Receptacles..J-6
 Series 804 Filtered Receptacles..J-9
 Series 805 Filtered Receptacles J-12

J

K

Cordsets for High-Speed Differential Impedance



General Information.....K-1
 Connector Selection Guide.....K-3
 How To Order CordsetsK-4
 Cable Specifications.....K-5

DimensionsK-7
 Wiring SchematicsK-8
 USB 2.0 CordsetsK-11
 RJ-45 Ethernet CordsetsK-13

K

L

Series 80 Accessories



Selection GuideL-1
 Accessory Thread TableL-2
 Heat-Shrinkable Boots.....L-3
 Hex Jam NutsL-6
 Gaskets, O-RingsL-7

Shorting CapsL-12
 Strain Relief ClampsL-14
 EMI AdaptersL-16
 Backshells.....L-20

L

INDEX

Part Number Index



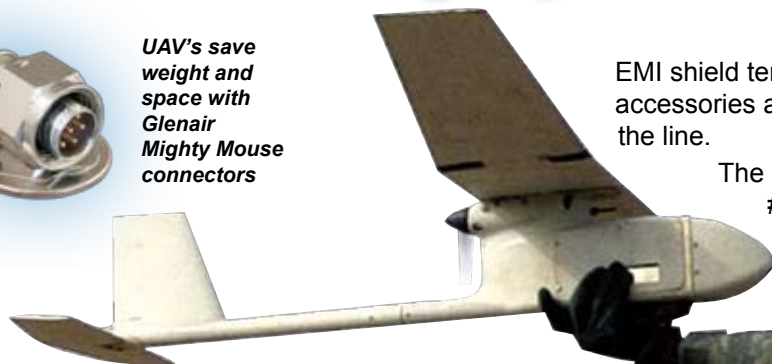
INDEX

Dimensions in inches (millimeters) and are subject to change without notice.

SERIES 80 Mighty Mouse AT A GLANCE



UAV's save weight and space with Glenair Mighty Mouse connectors



EMI shield termination or rear-end threads for backshell accessories are also standard throughout the line.

The Mighty Mouse features #23 contacts to accept #22 to #28 wire. Contact

The Series 80 Mighty Mouse Connector is designed for high-reliability aerospace/defense interconnect applications requiring robust environmental performance and reduced size and weight. The Series 80 Mighty Mouse Connector offers virtually equal performance to MIL-DTL-38999 interconnects with up to 71% weight and 52% size savings for similar contact layouts.

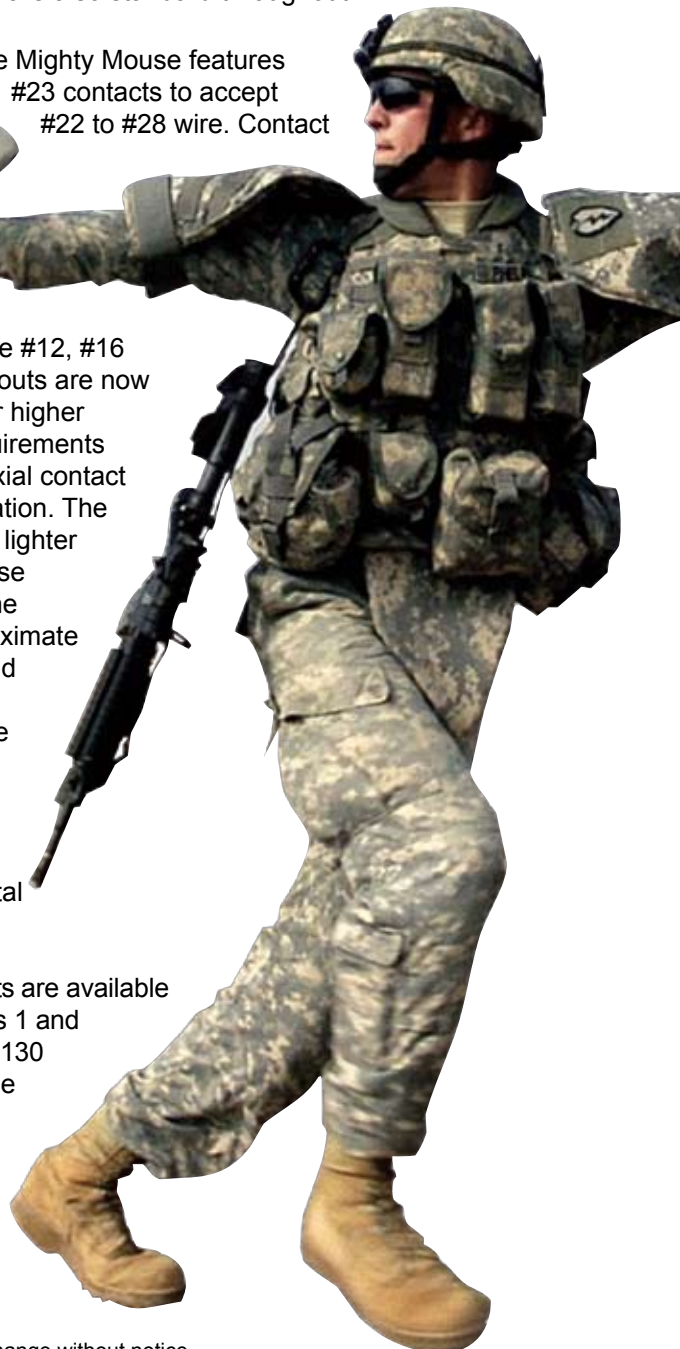
The Series 80 Connector was originally developed as a smaller and lighter alternative to D38999 connectors for aerospace applications such as Attack Helicopters and Unmanned Aerial Vehicles. Today, the Series 80 Mighty Mouse serves in dozens of safety-critical defense, medical, industrial and geo-physical applications.

The Series 80 Mighty Mouse Connector is supplied in six standard designs:

- **Series 800 Light Duty UN Thread**
- **Series 801 Heavy Duty Double-Start**
- **Series 802 "Aqua Mouse" Harsh Environmental**
- **Series 803 Bayonet**
- **Series 804 Quick-Disconnect**
- **Series 805 Triple-Start**

All the connectors in the Series 80 family are available with rear-release crimp contacts or with PC tail or solder cup terminations. Shell styles, including in-line plugs, square-flange and jam-nut receptacles are available for all types. Integrated banding platforms for

spacing is .076." Size #12, #16 and #20 layouts are now available for higher current requirements and for coaxial contact accommodation. The smaller and lighter Mighty Mouse maintains the same approximate electrical and mechanical performance of larger and heavier Military Standard environmental connectors. Insert arrangements are available for as few as 1 and as many as 130 contacts. The products presented in this



Dimensions in inches (millimeters) and are subject to change without notice.

CAGE Code 06324

Printed in U.S.A.

© 2010 Glenair, Inc.

GLENAIR, INC. • 1211 AIR WAY • GLENDALE, CA 91201-2497 • 818-247-6000 • FAX 818-500-9912

www.glenair.com

Intro-2

E-Mail: sales@glenair.com

01-JANUARY-2010

catalog, including cable sets and backshells, are available with accelerated lead-times—many are packaged for immediate same-day shipment. Custom layouts, such as might be required to accommodate a different gage or type of contact, may be readily incorporated into existing shell and coupling designs.

Born in the U.S.A.

Series 80 Mighty Mouse Connectors are manufactured at Glenair's Air Way factory in Glendale, California. The plant occupies approximately 450,000 square feet. Glenair's connector manufacturing facility is vertically integrated. All connector fabrication, including precision machining, hermetic firing, component assembly, contact termination, potting and electrical testing are completed at the factory.

For custom connector applications, we operate a dedicated prototype development shop complete with CNC machining and EDM equipment. In addition, a wide range of electrical, mechanical and environmental tests are completed in-house including dielectric withstanding voltage, contact resistance, contact engagement and separation, mating cycles, pressure testing and outgassing. Glenair is well versed in connector design and development, and has been producing and qualifying military-standard type connectors for over 35 years. Our Microway facility in Chicago, a 35,000 sq. ft. plant, contributes additional design and tooling resources to the Series 80 Mighty Mouse. Our UK Factory in Mansfield, England participates in performance testing of the product and in the assembly of bespoke cable assemblies for the UK and other EU customers.

Glenair is well known in the interconnect industry as the world's largest manufacturer of military standard and commercial connector accessories (backshells, dust-caps, EMI shield termination devices and so on). We are also the world's largest supplier of MIL-DTL-83513 Micro-D Connectors and M24758 Conduit Systems and Fittings. We also produce hermetic connectors qualified to MIL-DTL-38999 and MIL-DTL-24308, MIL-C-28840 Shipboard Connectors, MIL-DTL-38999 Fiber Optic Connectors and MIL-T-29504 Termini. Our Commercial-Off-the-Shelf

connector products include our Harsh Environmental Series 22 Geo-Marine® Connectors, Sav-Con® Connector Savers, hermetic D-Subminiature products and hundreds of special purpose or custom interconnects for high-performance applications.

UP TO 71% WEIGHT SAVINGS!
UP TO 52% SIZE SAVINGS!

Series 801
Mighty Mouse
7 Contacts



MIL-DTL-38999
6 Contacts

The Series 801 Connector offers up to 71% weight savings and 52% size reduction when compared to D38999 Series III Connectors.

Mil-Qualified Weight Savings

Glenair has qualified thousands of weight saving connectors, backshells, fiber optic components, conduit assemblies and junction-box enclosures to existing and new Mil-Specs. For the Series 80 Mighty Mouse Connector however, we followed the D38999 specification as a guideline for benchmarking performance standards, but took a radically different approach from the Mil-Spec when designing the physical envelope of the product. To appreciate the results, please see the weight and dimension tables that are provided for each individual connector type in this catalog. Note the extraordinary delta between Mighty Mouse and MIL-DTL-38999.

Dimensions in inches (millimeters) and are subject to change without notice.

© 2010 Glenair, Inc.

CAGE Code 06324

Printed in U.S.A.

GLENAIR, INC. • 1211 AIR WAY • GLENDALE, CA 91201-2497 • 818-247-6000 • FAX 818-500-9912

www.glenair.com

Intro-3

E-Mail: sales@glenair.com

01-JANUARY-2010

The Series 80 Mighty Mouse Connector is designed for high-reliability commercial and aerospace/defense interconnect applications that require both robust environmental/EMI performance and reduced size and weight. The Series 80 Mighty Mouse Connector offers comparable performance to MIL-DTL-38999 Series interconnects with up to 71% weight and 52% size savings for similar contact layouts. The six versions of the product offer a variety of styles and features to suit just about any application.

Series 800



Series 801



Description	Original Mighty Mouse with UNF Threads	Double-Start ACME Thread
Notes	A general purpose connector for high-speed Ethernet switches, tactical equipment and instrumentation.	More rugged keys and threads compared to Series 800. Faster mating, slightly larger than Series 800.
Number of Contacts	1 to 37	1 to 130
Coupling	Threaded Coupling with 4 ½ Turns to Full Mate	Threaded Coupling with 1 ½ Turns to Full Mate
Water Immersion, Mated	MIL-STD-810 Method 512 1 Meter for 1 Hour	MIL-STD-810 Method 512 1 Meter for 1 Hour
EMI Shielding	Good	Good
Vibration and Shock	37 g's Random Vibration; 300 g's Shock	37 g's Random Vibration; 300 g's Shock
Mating Cycles	2000 Cycles	2000 Cycles
Electrical Performance	#12: 23 AMP, 1800 VAC #16: 13 AMP, 1800 VAC #20: 7.5 AMP, 750 VAC #23: 5 AMP, 500 VAC	#12: 23 AMP, 1800 VAC #16: 13 AMP, 1800 VAC #20: 7.5 AMP, 750 VAC #23: 5 AMP, 500 VAC
Proven Performance Applications	Commercial air frame sensors; UAV telemetry; Tactical computers; field radios	Military air frame; Dismounted soldier; Tactical ground weaponry; Avionic (FLIR) systems

Dimensions in inches (millimeters) and are subject to change without notice.

Series 80 Mighty Mouse Product Selection Guide



Series 802

Series 803

Series 804

Series 805



"Aqua Mouse" 3500 PSI

Bayonet

Push-Pull

Triple-Start ACME Thread

Rugged stainless steel, resists chemicals. For geophysical and underwater applications.

Quick-mating, light duty, general purpose. Not rated for immersion. 50 milliohms shell-to-shell resistance.

Breakaway connector for headsets and tactical equipment. Gold-plated spring for long mating life and superior EMI shielding.

"Clicker" ratchet mechanism and ground spring for military airframes and avionics boxes. Fast-mating, D38999 equivalent.

1 to 130

1 to 55

1 to 55

1 to 130

Threaded Coupling with UN Threads

Push-to-Mate, ¼ Turn to Lock

Quick-Disconnect

One Full Turn for Full Mate

1000 Feet Immersion in Salt Water

Splashproof

MIL-STD-810 Method 512
1 Meter for 1 Hour

MIL-STD-810 Method 512
1 Meter for 1 Hour

Good

Fair

Very Good

Excellent

37 g's Random Vibration;
300 g's Shock

37 g's Random Vibration;
300 g's Shock

37 g's Random Vibration;
300 g's Shock

37 g's Random Vibration;
300 g's Shock

2000 Cycles

250 Cycles Aluminum
2000 Cycles SST

2000 Cycles

500 Cycles

#12: 23 AMP, 1800 VAC
#16: 13 AMP, 1800 VAC
#20: 7.5 AMP, 750 VAC
#23: 5 AMP, 500 VAC

#12: 23 AMP, 1800 VAC
#16: 13 AMP, 1800 VAC
#20: 7.5 AMP, 750 VAC
#23: 5 AMP, 500 VAC

#12: 23 AMP, 1800 VAC
#16: 13 AMP, 1800 VAC
#20: 7.5 AMP, 750 VAC
#23: 5 AMP, 500 VAC

#12: 23 AMP, 1800 VAC
#16: 13 AMP, 1800 VAC
#20: 7.5 AMP, 750 VAC
#23: 5 AMP, 500 VAC

Pipe line inspection equipment; Well logging; Amphibious vehicles; Unmanned submersibles

Soldier system radios; Autosport diagnostics; Airborne surveillance; Communication systems

Helmet breakaway connector; QDC battery; Missile applications; Weapon interconnects

Autosport; Military air frame; Joint Strike Fighter

Dimensions in inches (millimeters) and are subject to change without notice.

Featured Products

Filtered Mighty Mouse

Glenair's filtered Mighty Mouse connectors provide significant size and weight savings compared to larger mil-spec connectors. Designed to meet stringent aerospace performance requirements, Mighty Mouse filtered connectors are offered with standard filter arrays or with customized filters to meet your specific needs.



Right Angle Board Mount Connectors

Now available with 3, 4, 7, 10, 13 and 19 contacts, these connectors offer military grade performance in a small, economical package. These connectors are rated for MIL-STD-810 Method 512 immersion. Available in Series 800 and Series 801.

New Power and Coaxial Layouts

43 contact layouts are now available, including new size #12, #16 and #20HD contact arrangements. Also available with printed circuit board contacts.



Series 801 "9-4" layout with 4 #16 contacts compared to MIL-DTL-38999 "13-4" layout with 4 #16 contacts



Glenair's "21-12" insert arrangement with 12 size 12 power pins for 23 amp current rating.



New "17-7" insert arrangement with 7 size 12 contacts



Size 12 and size 16 PC tails are standard

Meet the "Clicker"

Series 801 plugs are now available with a ratcheting mechanism. The ratcheting coupling nut prevents unintended demating when subjected to high levels of shock and vibration. The coupling nut is .100" larger than the standard self-locking nut. The Series 801 double-start Mighty Mouse connector is widely used on battlefield computers and weapons systems.



Series 801 Plug with Ratchet Mechanism

Pneumatic Contacts

These stainless steel contacts snap into size 12 contact cavities. Rated at 100 psi, these "gas" contacts are ideal for pitot tube connections in unmanned aerial vehicles.



Pneumatic contacts for Mighty Mouse connectors

Dimensions in inches (millimeters) and are subject to change without notice.

© 2010 Glenair, Inc.

CAGE Code 06324

Printed in U.S.A.

GLENAIR, INC. • 1211 AIR WAY • GLENDALE, CA 91201-2497 • 818-247-6000 • FAX 818-500-9912

www.glenair.com

Intro-6

E-Mail: sales@glenair.com

01-JANUARY-2010

Featured Products



Need More Contacts?

Joining the Mighty Mouse lineup is a 130 pin connector. Available in Series 801, 802 and 805, this layout has 130 size #23 contacts in a low-profile, lightweight package.



Heat Shrink Boots

Glenair has selected straight and right angle boots to fit Series 80 connectors. Available in Mil-Spec and low smoke/zero halogen materials, these boots are adhesive lined.



New Rubber Covers

Rubber covers are now available for Series 801 and Series 804 connectors. These fungus-resistant neoprene covers are preferred for man-portable soldier equipment.



Spring-Loaded Protective Covers

Glenair now offers a spring-loaded cover for Series 804 quick-disconnect receptacles. Made of aluminum alloy, the cover has a rubber gasket for a watertight seal when unmated.



Can't Find What You Need in this Catalog?

Get the part you need with no strings attached. Glenair welcomes your custom connector requirements. Our vertically integrated manufacturing guarantees fast delivery with no minimum order quantity.



Optical Fiber Mighty Mouse

Get the best of both worlds: the small size of the Series 80 combined with Mil-Spec optical fiber performance. This 4 channel connector is ideal for 1000BASE-LX. Contact Glenair for more information.

Dimensions in inches (millimeters) and are subject to change without notice.

© 2010 Glenair, Inc.

CAGE Code 06324

Printed in U.S.A.

GLENAIR, INC. • 1211 AIR WAY • GLENDALE, CA 91201-2497 • 818-247-6000 • FAX 818-500-9912

www.glenair.com

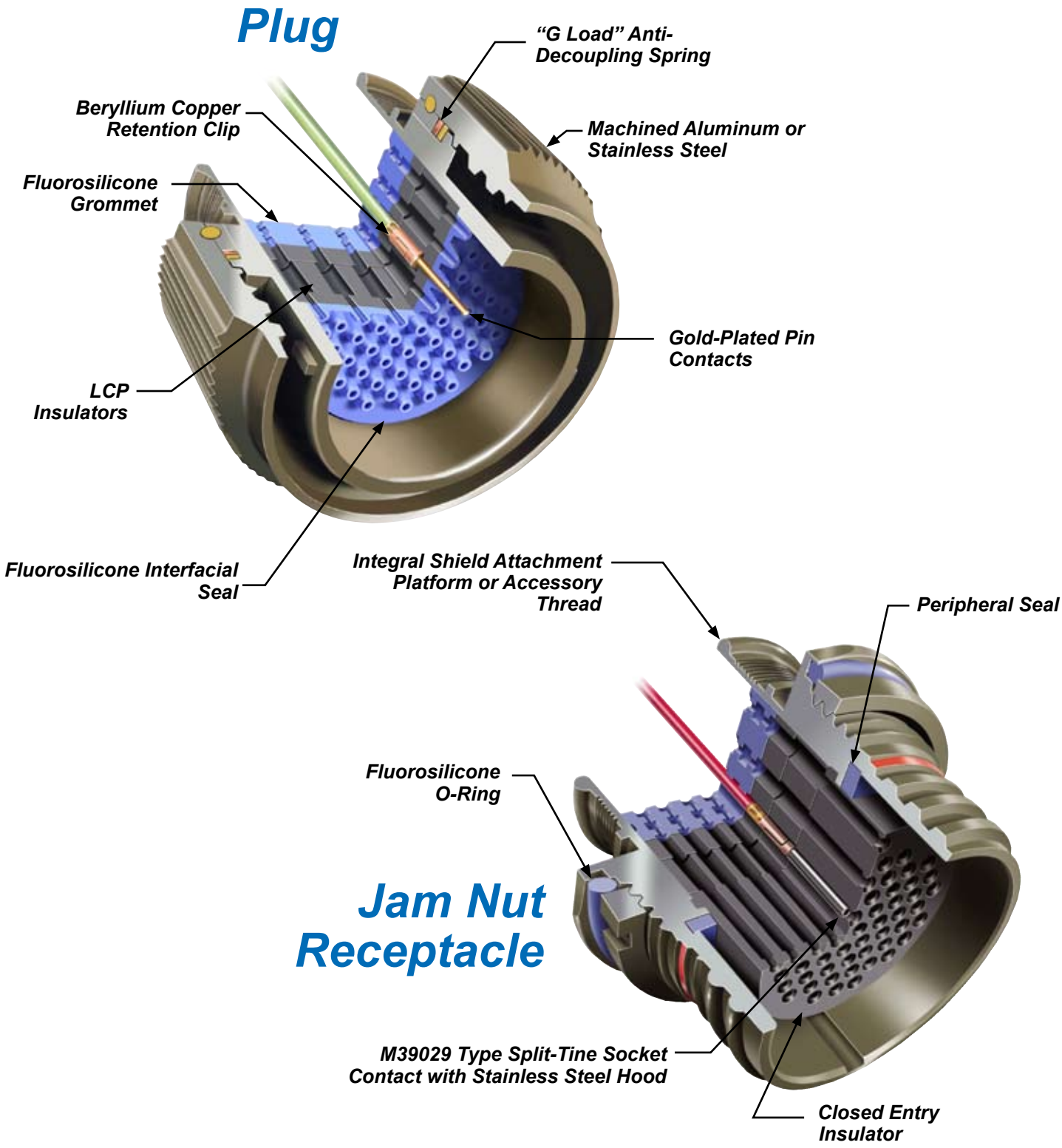
Intro-7

E-Mail: sales@glenair.com

01-JANUARY-2010



Series 80 Mighty Mouse Cutaway View of Series 801



Dimensions in inches (millimeters) and are subject to change without notice.

© 2010 Glenair, Inc.

CAGE Code 06324

Printed in U.S.A.

GLENAIR, INC. • 1211 AIR WAY • GLENDALE, CA 91201-2497 • 818-247-6000 • FAX 818-500-9912

www.glenair.com

Intro-8

E-Mail: sales@glenair.com

01-JANUARY-2010

Series 80 Mighty Mouse Contact Arrangements



SERIES 80 "MIGHTY MOUSE" CONTACT ARRANGEMENTS

Contact Size	Contact Quantity					Contact Arrangement					
	#23	#20	#20HD	#16	#12	Series 800	Series 801	Series 802	Series 803	Series 804	Series 805
Size #23 Contacts 5 Amp Max. Current 500 VAC #22-#28 AWG						5-3	5-3	5-3	5-3	5-3	Not Avail.
						6-4	6-4	6-4	6-4	6-4	8-4
						6-6	6-6	6-6	6-6	6-6	8-6
						6-7	6-7	6-7	6-7	6-7	8-7
						7-10	7-10	7-10	7-10	7-10	9-10
						8-13	8-13	8-13	8-13	8-13	10-13
						9-19	9-19	9-19	9-19	9-19	11-19
						10-26	10-26	10-26	10-26	10-26	12-26
						12-37	13-37	12-37	12-37	12-37	15-37
						Not Avail.	16-55	14-55	14-55	14-55	18-55
						Not Avail.	17-85	15-85	Not Avail.	Not Avail.	19-85
					Not Avail.	21-130	21-130	Not Avail.	Not Avail.	23-130	
Size #20HD Contacts 7.5 Amp Max. Current 750 VAC #20-#24 AWG			3			6-23	6-23	6-23	6-23	6-23	8-23
			5			7-25	7-25	7-25	7-25	7-25	9-25
			8			8-28	8-28	8-28	8-28	8-28	10-28
			10			9-210	9-210	9-210	9-210	9-210	11-210
			20			12-220	13-220	12-220	12-220	12-220	15-220
			35			Not Avail.	16-235	14-235	14-235	14-235	18-235
			41			Not Avail.	17-241	15-241	Not Avail.	Not Avail.	19-241
		69			Not Avail.	21-269	21-269	Not Avail.	Not Avail.	23-269	
Size #16 Contacts 13 Amp Max. Current 1800 VAC #16-#20 AWG				1		6-1	6-1	6-1	6-1	6-1	8-1
				2		8-2	8-2	8-2	8-2	8-2	10-2
				4		9-4	9-4	9-4	9-4	9-4	11-4
				5		10-5	10-5	10-5	10-5	10-5	12-5
				7		12-7	13-7	12-7	12-7	12-7	15-7
				12		Not Avail.	16-12	14-12	14-12	14-12	18-12
				14		Not Avail.	17-14	15-14	Not Avail.	Not Avail.	19-14
			22		Not Avail.	21-22	21-22	Not Avail.	Not Avail.	23-22	
Size #12 Contacts 23 Amp Max. Current 1800 VAC #12-#14 AWG					1	7-1	7-1	7-1	7-1	7-1	9-1
					2	10-2	10-2	10-2	10-2	10-2	12-2
					2	12-2	13-2	12-2	12-2	12-2	15-2
					3	12-3	13-3	12-3	12-3	12-3	15-3
					5	Not Avail.	16-5	14-5	14-5	14-5	18-5
					7	Not Avail.	17-7	15-7	Not Avail.	Not Avail.	19-7
					12	Not Avail.	21-12	21-12	Not Avail.	Not Avail.	23-12
Contact Arrangements with Mixed Size (Combo) Layouts	4	2				8-200	8-200	8-200	8-200	8-200	10-200
	8	2				9-201	9-201	9-201	9-201	9-201	11-201
	4			2		9-200	9-200	9-200	9-200	9-200	11-200
	8			2		10-202	10-202	10-202	10-202	10-202	12-202
	4				2	10-201	10-201	10-201	10-201	10-201	12-201
	6				2	12-200	13-200	12-200	12-200	12-200	15-200
	10				2	12-201	13-201	12-201	12-201	12-201	15-201
	12				1	10-200	10-200	10-200	10-200	10-200	12-200

Dimensions in inches (millimeters) and are subject to change without notice.

SERIES 80

MIGHTY MOUSE

- ◆ **The World's Best Availability of Any High-Performance Miniature Connector**
- ◆ **Thousands of Part Numbers In Stock and Ready for Same-Day Shipment**



**Series 80 Mighty Mouse
Contacts and Tools
Product Selection Guide**



#23 Contacts
Page A-3



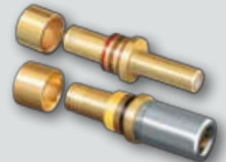
#20HD Contacts
Page A-5



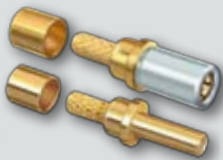
#20 Contacts
Page A-6



#16 and #12 Contacts
Page A-6



**#16 and #12 Coaxial
Contacts**
Page A-7



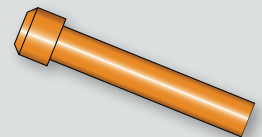
**#12 50 Ohm Matched
Impedance Coaxial Contacts**
Page A-8



#12 Pneumatic Contacts
Page A-9



#23-#20 Wire Adapter
Page A-5



Grommet Sealing Plugs
Page A-9



Contact Crimping Tools
Page A-10



Positioners for Crimp Tools
Page A-10



Insertion/Extraction Tools
Page A-12



Contact Retention Tester
Page A-12



**BAND-IT® Shield Band
Installation Tool**
Page A-13



BAND-IT® Shield Bands
Page A-13



Jam Nut Tightening Tools
Page A-14



Connector Holding Tools
Page A-14

Dimensions in inches (millimeters) and are subject to change without notice.

© 2010 Glenair, Inc.

CAGE Code 06324

Printed in U.S.A.

GLENAIR, INC. • 1211 AIR WAY • GLENDALE, CA 91201-2497 • 818-247-6000 • FAX 818-500-9912

www.glenair.com

A-1

E-Mail: sales@glenair.com

01-JANUARY-2010



Series 80 Mighty Mouse General Information

A

About Series 80 Mighty Mouse Contacts

This section of the catalog contains ordering information for contacts. Series 80 Mighty Mouse connectors are supplied with a full complement of crimp contacts. Contacts are terminated to wire using special tools and are snapped into place by hand or with a hand-held insertion tool. Damaged or miswired contacts may be removed from the connector using special extraction tools.

Although the connectors are supplied with a full complement of contacts, extra contacts are commonly purchased as spares or to use for quality assurance purposes such as crimp tensile tests.

Coaxial contacts must be ordered separately. If your application requires coaxial contacts, select contact types "A" or "B" (pin or socket) in the connector part number. The connector will be supplied without contacts. Select the appropriate coaxial or pneumatic contact from this catalog.

Mighty Mouse contacts conform to the requirements of **Aerospace Standard AS39029**. This SAE specification defines the design, dimensions and performance of contacts used in aerospace grade electrical connectors. The "**general specification**" covers a variety of contacts including thermocouple, hermetic, coaxial and triaxial types.

The "**slash sheets**" contain dimensions and other information for specific types of contacts. Each contact is assigned a **Basic Identification Number (BIN)**, a non-significant three digit code corresponding to the color code on the contacts.

A **Qualified Products List (QPL)** identifies those manufacturers whose products have been verified to meet all requirements.

Series 80 Size #23 and size #20HD contacts conform to AS39029 requirements, but are not covered by a slash sheet. Size #20, #16 and size #12 contacts are standard AS39029 contacts.

About Crimp Tools

Series 80 signal, power and coaxial contacts are crimped to wire using mil spec crimpers. **Military Specification MIL-DTL-22520** provides the aerospace/defense industry with a common set of rugged, reliable hand crimp tools. This specification controls the voltage drop and tensile strength of crimp terminations.

Before ordering, check to see if you might already have these tools! We have listed the military part number and the Daniels part number. Daniels Manufacturing Corporation is the leading manufacturer of these tools. However, size #23 and #20HD contacts require special positioners unique to the Mighty Mouse product line.



Tip: Use the Tool Code to Find The Right Crimp Tool

1

Find the contact part number in the catalog. Note the tool codes in the right column. These tool codes identify the crimp tools required to terminate the contact. Usually two tools are required—a crimp frame plus a positioner to locate the contact.

Contact Type	Wire Size	Material	Part Number	Ø A		Color Band	Tool Code
				In.	mm.		
Pin	#22 - #28	BeCu	809-001	.0335-.0355	0.851-0.902	None	A, C
Pin	#26 - #30	BeCu	809-042	.0229-.0245	0.582-0.622	Blue	A, D
Pin	#22 - #28	Alumel	809-065A	.0335-.0355	0.851-0.902	None	A, C
Pin	#22 - #28	Chromel	809-065C	.0335-.0355	0.851-0.902	None	A, C
Socket	#22 - #28	BeCu	809-002	.0335-.0355	0.851-0.902	None	A, C
Socket	#26 - #30	BeCu	809-043	.0229-.0245	0.582-0.622	Blue	A, D
Socket	#22 - #28	Alumel	809-066A	.0335-.0355	0.851-0.902	None	A, C
Socket	#22 - #28	Chromel	809-066C	.0335-.0355	0.851-0.902	None	A, C

2

Turn to the tool section starting on page A-10. Each crimp tool is identified with a letter code. Match the contact letter to the tool letter.

Miniature Adjustable Crimp Tools

These crimp tools perform precision eight indent crimps for gas-tight wire terminations and excellent tensile strength. Adjustment wheel has 8 settings. Ratchet mechanism prevents improper crimps. Use with bayonet-type positioners. Check calibration with M22520/3 gages. Length is 6.75 inches, weight is approx. 10 oz.

A

Standard M22520/2-01 crimpers. Use with standard size #23 and #20HD Mighty Mouse contacts and with M39029/76 and /78 coaxial center contacts. Requires positioner, ordered separately.

B

Special MH992 crimpers used with 50 ohm matched impedance coaxial inner contacts. Requires positioner, ordered separately.

Figure	Part Number	Military Part Number	Daniels Part Number	Tool Code
A	809-015	M22520/2-01	AFM8	A
B	809-128	(none)	MH992	B

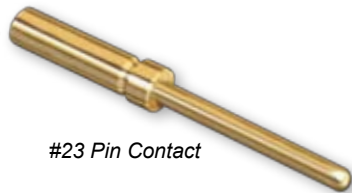
Dimensions in inches (millimeters) and are subject to change without notice.

Series 80 Mighty Mouse Contacts and Tools Size #23 Crimp Contacts

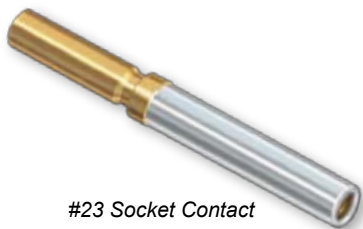


Size #23 Crimp Contacts

Standard size #23 contacts accept #22 to #28 AWG wire. Choose "small bore" versions for #26 to #30 AWG wire. For thermocouple applications, specify alumel or chromel contacts. Contacts are bulk packaged. Terminate with standard M22520 crimper with special positioner.

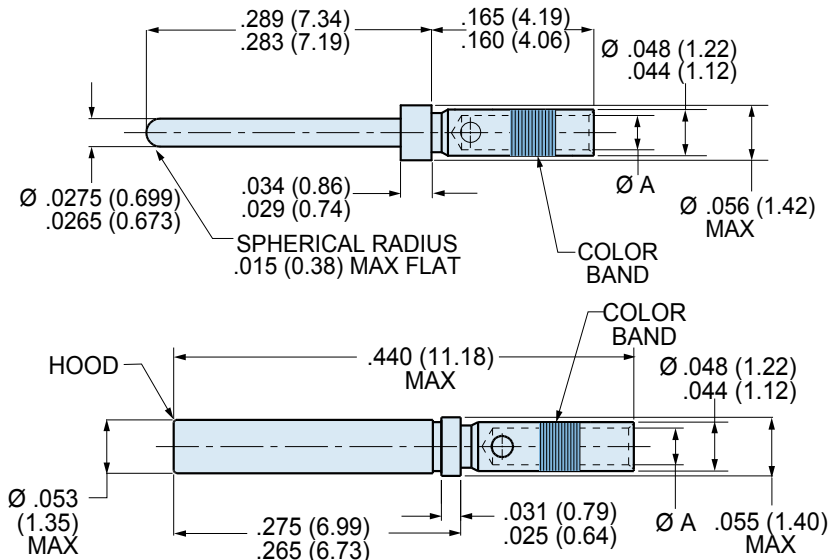


#23 Pin Contact



#23 Socket Contact

Contact Type	Wire Size	Material	Part Number	Ø A		Color Band	Tool Code
				In.	mm.		
Pin	#22 – #28	BeCu	809-001	.0335-.0355	0.851-0.902	None	A, C
Pin	#26 – #30	BeCu	809-042	.0229-.0245	0.582-0.622	Blue	A, D
Pin	#22 – #28	Alumel	809-065A	.0335-.0355	0.851-0.902	None	A, C
Pin	#22 – #28	Chromel	809-065C	.0335-.0355	0.851-0.902	None	A, C
Socket	#22 – #28	BeCu	809-002	.0335-.0355	0.851-0.902	None	A, C
Socket	#26 – #30	BeCu	809-043	.0229-.0245	0.582-0.622	Blue	A, D
Socket	#22 – #28	Alumel	809-066A	.0335-.0355	0.851-0.902	None	A, C
Socket	#22 – #28	Chromel	809-066C	.0335-.0355	0.851-0.902	None	A, C



CRIMP TENSILE STRENGTH		
Values are in pounds and are minimums.		
Wire Gage	Silver or Tin Coated Copper Wire	Nickel Coated Copper Wire
#22	12	8
#24	8	6
#26	5	3
#28	3	2
#30	1.5	1.5

Material and Finish

Beryllium copper alloy per ASTM B196 or B197, 50 microinches gold plated per ASTM B488 Type II Code C Class 1.25 over nickel plate per QQ-N-290 Class 2, 50-100 microinches. Thermocouple contacts: alumel or chromel alloy, unplated, per ANSI 96.1. Socket contact hood: stainless steel, passivated per AMS-QQ-P-35.

Specifications

Current Rating: 5 Amps maximum
Voltage Drop (at 5 Amps and 25° C): 70 millivolts maximum
Temperature Range: -65° to + 200° C
Socket Contact Minimum Separation Force: 0.5 ounces

Crimp Tools and Insertion/Removal Tools

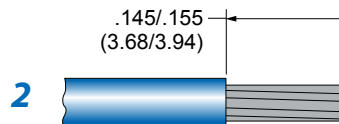
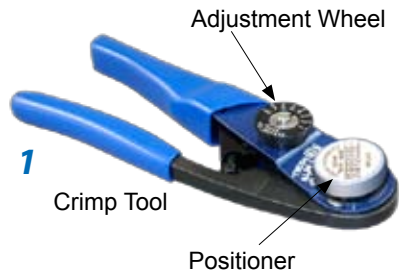
Crimper: 809-015
Positioner: 809-005 (standard). Use P/N 809-057 for small bore contacts 809-065 and 809-066
Standard Insertion/Removal Tool: 809-088

Dimensions in inches (millimeters) and are subject to change without notice.

A

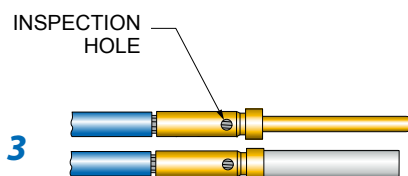
How To Terminate, Install and Remove Size #23 Contacts

1 Set Up Crimp Tool. Install proper positioner into crimp tool. The label on the positioner shows the proper tool setting for each wire size. Turn the adjustment wheel to the correct setting.



2 Strip Wire. Remove wire insulation, taking care to avoid nicking or cutting wire strands. Strip wire to length shown.

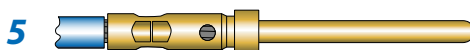
3 Insert wire into contact. The wire should be visible in the inspection hole.



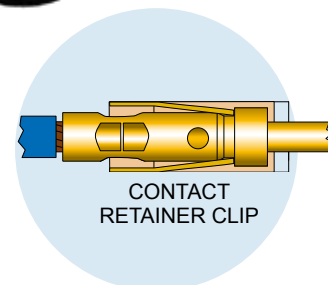
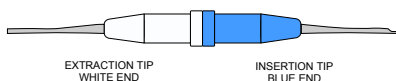
4 Insert contact into crimp tool as shown. Make sure that the contact is fully inserted into the tool. Squeeze handle completely. The ratchet mechanism will not allow a partial crimp. Release handle and remove contact.



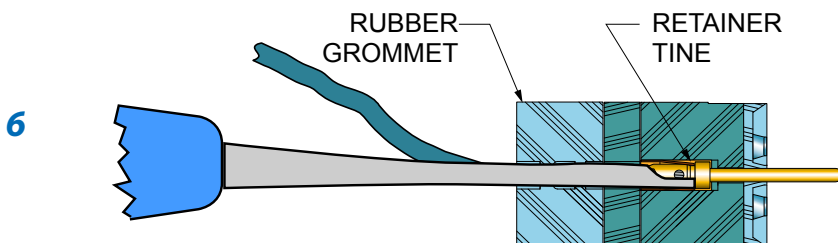
5 Inspect crimped contact. Wire should be fully inserted and the crimp should be uniform in appearance.



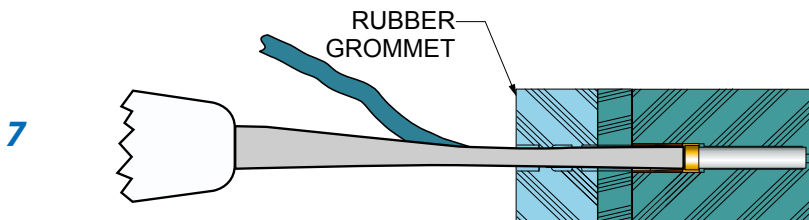
Insertion/Extraction Tool 809-088



6 Install contact into connector. Push the contact through the rear grommet until the contact locks into place. This can usually be done by hand without the need for a tool. If the wire gage is #26 or smaller, a tool is helpful. There are two techniques for installing contacts with a tool. One method is to push the contact in by hand, then use the tool to finish the insertion. The other method is to position the insertion tip against the contact shoulder, then insert the contact. Use insertion/extraction tool 809-088 to install contacts. Slide the wire into the groove on the blue end of the tool. Slide the tool tip up the contact until it touches the contact shoulder. **USE CARE TO AVOID DAMAGING THE CONNECTOR.**



7 Contact Extraction. Use tool 809-088. The white end is used for contact extraction. First, push the wire into the groove of the metal tip. Slide the tip of the tool into the connector. Push the tool into the connector cavity until the tip bottoms in the connector. Avoid wiggling or rocking the tip. This may damage the cavity. A straight push is best. Pinch the wire between your finger and the white plastic grip and slide the tool and contact out of the connector. **Wire insulation diameter greater than 0.045 inches (1.14mm) is too large to work properly with the extraction tool. connector damage is possible.**



Dimensions in inches (millimeters) and are subject to change without notice.

Series 80 Mighty Mouse Contacts and Tools Adapters, #20HD Contacts



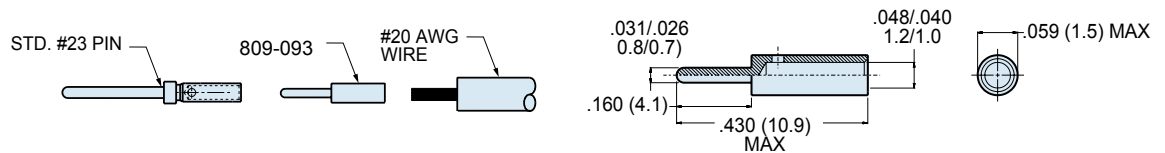
Adapter for Crimping #20 AWG Wire to Size #23 Contacts



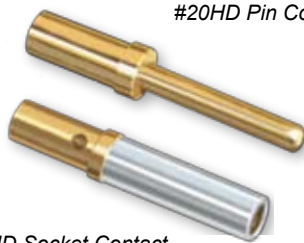
#20 AWG Wire Adapter

Size #22 AWG wire is the largest wire size that fits standard size 23 contacts. Use this adapter to attach larger #20 gage wire. First, crimp wire to adapter, then crimp the adapter into the size #23 contact. Adapters are made of tellurium copper alloy #1452, and are gold plated. Crimp with M22520/1-01 tool and 809-138 (Daniels TH653) positioner. These adapters cannot be removed from connectors.

Adapter Size	Wire Size	Part Number	Tool Code
#22-20	#20	809-093	J, L



Size #20HD Crimp Contacts

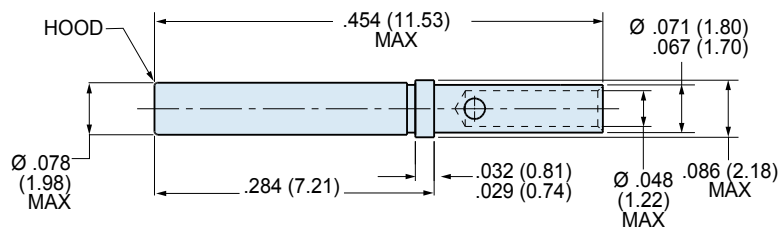
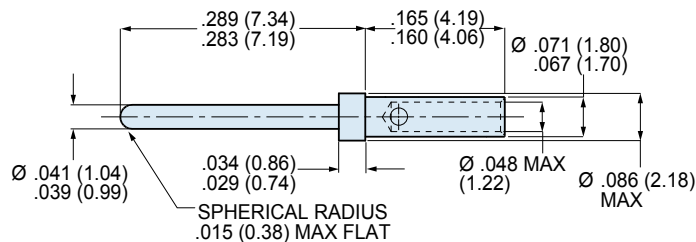


#20HD Pin Contact

#20HD Socket Contact

High-density size #20HD contacts accept #20 to #24 AWG wire. At rated test current of 7.5 amps, the maximum voltage drop is 55 millivolts. Contacts are gold-plated copper alloy. Socket contacts feature stainless steel hoods to protect against probe damage. Contacts are bulk packaged. Terminate with M22520/2-01 crimper and 809-206 positioner.

Contact Type	Wire Size	Part Number	Tool Code
Pin	#20 – #24	809-204	A, I
Socket	#20 – #24	809-205	A, I



CRIMP TENSILE STRENGTH		
Values are in pounds and are minimums.		
Wire Gage	Silver or Tin Coated Copper Wire	Nickel Coated Copper Wire
#20	20	19
#22	12	8
#24	8	6

Material and Finish

Beryllium copper alloy, 50 microinches gold plated per ASTM B488 Type II Code C Class 1.25 over nickel plate per QQ-N-290 Class 2, 50-100 microinches. Socket contact hood: stainless steel, passivated per AMS-QQ-P-35.

Specifications

Current Rating: 7.5 Amps maximum
Temperature Range: -65° to +200° C
Socket Contact Minimum Separation Force: 0.7 ounces

Dimensions in inches (millimeters) and are subject to change without notice.



Series 80 Mighty Mouse Contacts and Tools

#20, #16, #12 Contacts

A

Size #20 Crimp Contacts



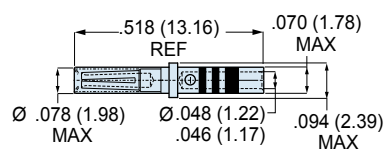
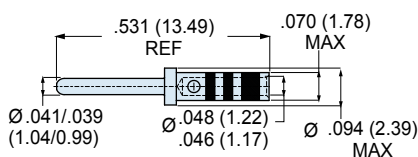
#20 Pin Contact



#20 Socket Contact

Standard size #20 contacts accept #20 to #24 AWG wire. At rated test current of 7.5 amps, the maximum voltage drop is 55 millivolts. Contacts are gold-plated copper alloy. Socket contacts feature stainless steel hoods to protect against probe damage. Approved to SAE-AMS-39029. Contacts are bulk packaged. Terminate with M22520/1-01 crimper and M22520/1-04 positioner.

Contact Type	Wire Size	Part Number	Military Part Number	Color Band			Tool Code
				1st	2nd	3rd	
Pin	#20 - #24	850-002-20-363	M39029/58-363	Orange	Blue	Orange	J, K
Socket	#20 - #24	850-003-20-357	M39029/57-357	Orange	Green	Violet	J, K



Size #16 Crimp Contacts



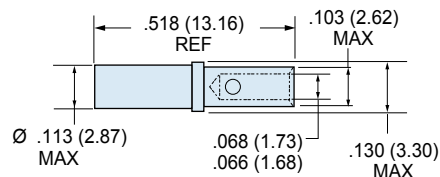
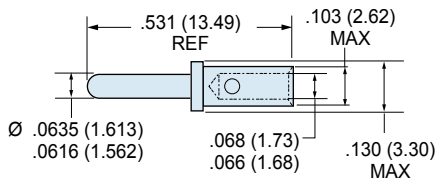
#16 Pin Contact



#16 Socket Contact

Standard size #16 contacts accept #16 to #20 AWG wire. At rated test current of 13 amps, the maximum voltage drop is 74 millivolts. Contacts are gold-plated copper alloy. Socket contacts feature stainless steel hoods to protect against probe damage. Approved to SAE-AMS-39029. Contacts are bulk packaged. Terminate with M22520/1-01 crimper and M22520/1-04 positioner.

Contact Type	Wire Size	Part Number	Military Part Number	Color Band			Tool Code
				1st	2nd	3rd	
Pin	#16 - #20	809-110	M39029/58-364	Orange	Blue	Yellow	J, K
Socket	#16 - #20	809-111	M39029/57-358	Orange	Green	Gray	J, K



Size #12 Crimp Contacts



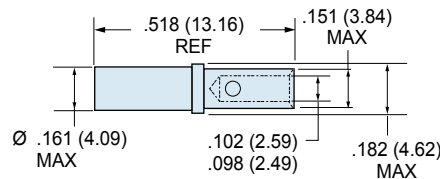
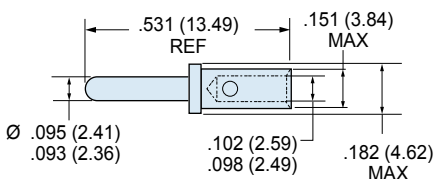
#12 Pin Contact



#12 Socket Contact

Standard size #12 contacts accept #12 to #14 AWG wire. At rated test current of 23 amps, the maximum voltage drop is 63 millivolts. Contacts are gold-plated copper alloy. Socket contacts feature stainless steel hoods to protect against probe damage. Approved to SAE AS39029. Contacts are bulk packaged. Terminate with M22520/1-01 crimper and M22520/1-04 positioner.

Contact Type	Wire Size	Part Number	Military Part Number	Color Band			Tool Code
				1st	2nd	3rd	
Pin	#12 - #14	809-112	M39029/58-365	Orange	Blue	Green	J, K
Socket	#12 - #14	809-113	M39029/57-359	Orange	Green	White	J, K



Dimensions in inches (millimeters) and are subject to change without notice.

Series 80 Mighty Mouse Contacts and Tools Coaxial Contacts

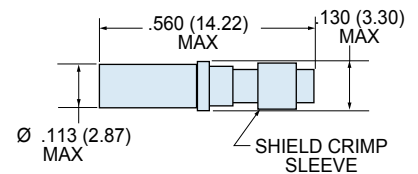
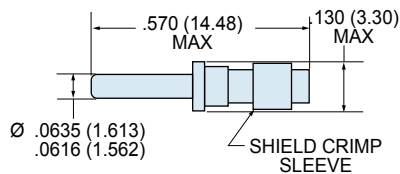


Size #16 Coaxial Contacts

These #16 contacts accept 50 ohm and 75 ohm coaxial cable. Inner contact is rated at 1 amp, the outer contact 12 amps. DWV voltage rating is 800 Vac rms sea level, 250 Vac at 50,000 feet. Contacts are packaged individually and are unassembled with instruction sheet. One contact consists of outer contact, fluorocarbon dielectric, inner contact and shield crimp sleeve. Inner and outer contacts are gold-plated copper alloy. Approved to SAE AS39029. VSWR rating 1.5:1 maximum up to 700 MHz. 5000 megohm insulation resistance.

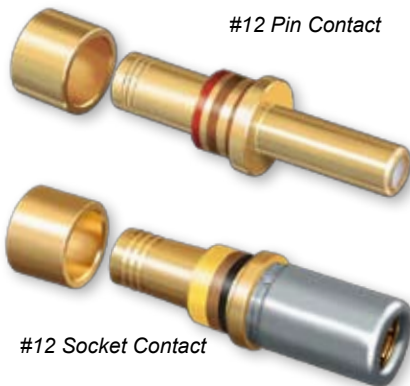


Type	Cable Size	Part Number	Military Part Number	Color Band			Tool Code
				1st	2nd	3rd	
Pin	RG174, RG316, RG179	809-114	M39029/76-424	Yellow	Red	Yellow	A, E, M, N
Pin	RG178	809-115	M39029/76-425	Yellow	Red	Green	A, E, M, N
Socket	RG174, RG316, RG179	809-116	M39029/78-432	Yellow	Orange	Red	A, E, M, N
Socket	RG178	809-117	M39029/78-433	Yellow	Orange	Orange	A, E, M, N

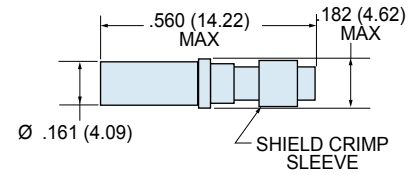
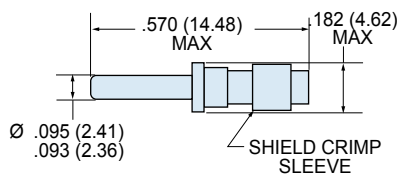


Size #12 Coaxial Contacts

These #12 contacts accept 50 ohm and 75 ohm coaxial cable. Inner contact is rated at 1 amp, the outer contact 12 amps. DWV voltage rating is 1000 Vac rms sea level, 250 Vac at 50,000 feet. Contacts are packaged individually and shipped unassembled with instruction sheet. One contact consists of outer contact, fluorocarbon dielectric, inner contact and shield crimp sleeve. Inner and outer contacts are gold-plated copper alloy. Approved to SAE AS39029. VSWR rating 1.5:1 maximum up to 700 MHz. 5000 megohm insulation resistance.

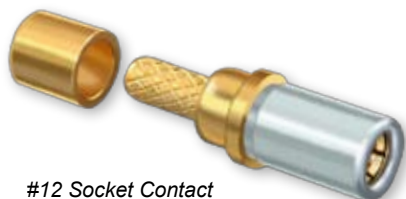
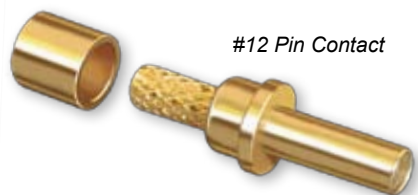


Type	Cable Size	Part Number	Military Part Number	Color Band			Tool Code
				1st	2nd	3rd	
Pin	RG174, RG316, RG179	809-118	M39029/28-211	Red	Brown	Brown	A, G, O, P
Pin	RG180	809-119	M39029/28-409	Yellow	Black	White	A, G, O, P
Socket	RG174, RG316, RG179	809-120	M39029/27-210	Red	Brown	Black	A, G, O, P
Socket	RG180	809-121	M39029/27-402	Yellow	Black	Red	A, G, O, P



Dimensions in inches (millimeters) and are subject to change without notice.

Size #12, 50 Ohm Matched Impedance Coaxial Contacts



These contacts offer improved frequency response compared to standard coaxial contacts above. VSWR is 1.32:1 at 3GHz. Nominal impedance is 50 ohms. Insertion loss at 3GHz is 0.20 dB maximum. Inner contact is rated at 1 amp, the outer contact 12 amps. DWV voltage rating is 1000 Vac rms sea level, 250 Vac at 50,000 feet. Contacts are packaged individually and shipped unassembled with instruction sheet. Inner and outer contacts are gold-plated copper alloy. 5000 megohm insulation resistance. Terminate crimp type coaxial center contact with hand tool 809-128 (Daniels MH992). Terminate cable braid to contact with 809-129 (Daniels HX4) parallel action crimp tool and 809-120 (Daniels Y196) hex die.

Contact Type	Cable Type	Part Number	Termination	Fig.	Tool Code
Pin	M17/113-RG316	852-016-01	Crimp	1	B, H, Q, R
Pin	M17/152-00001(RG316DS)	852-016-02	Crimp	1	B, H, Q, R
Pin	M17/93-RG178	852-016-03	Crimp	1	B, F, Q, R
Pin	TFLEX-405	852-018	Solder	2	(No Tool)
Socket	M17/113-RG316	852-015-01	Crimp	3	B, H, Q, R
Socket	M17/152-00001(RG316DS)	852-015-02	Crimp	3	B, H, Q, R
Socket	M17/93-RG178	852-015-03	Crimp	3	B, F, Q, R
Socket	TFLEX-405	852-017	Solder	4	(No Tool)

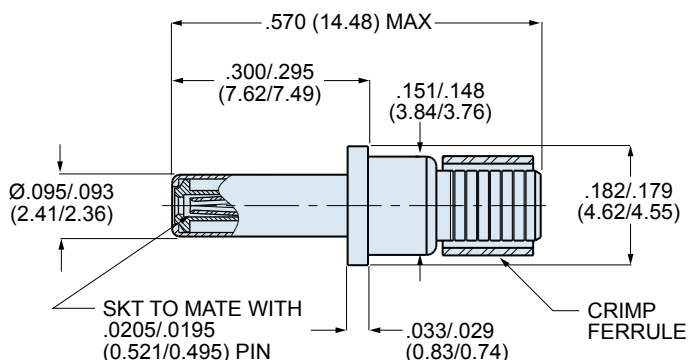


Figure 1

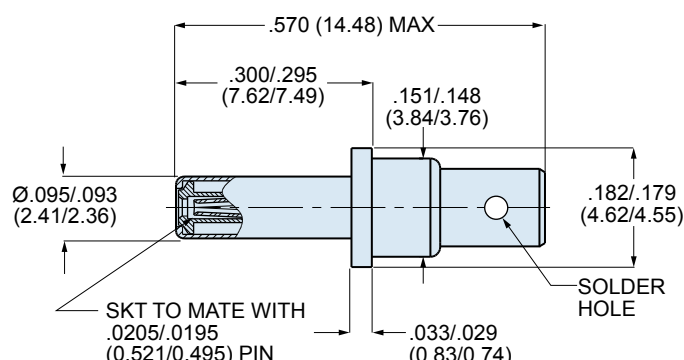


Figure 2

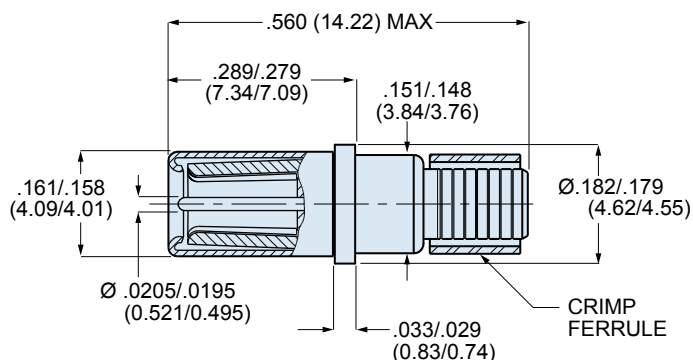


Figure 3

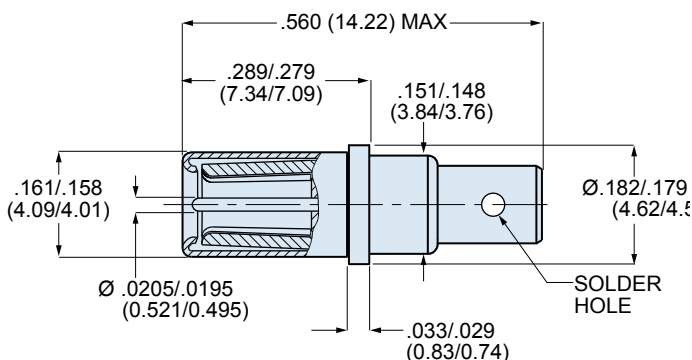


Figure 4

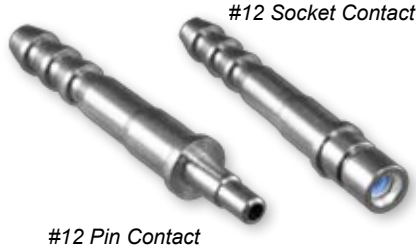
Dimensions in inches (millimeters) and are subject to change without notice.

Series 80 Mighty Mouse Contacts and Tools

Pneumatic Contacts and Grommet Sealing Plugs



Size #12 Pneumatic Contacts

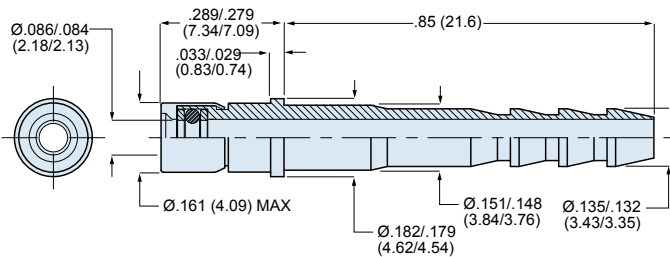


Stainless steel pneumatic contacts attach to 3/32 inch (2.38) diameter tubing. Socket contact has o-ring and PTFE backup washers. Contacts snap into size #12 connector cavities. Ideal for pitot tube connections, these pneumatic contacts are rated for 100 PSI maximum air pressure. No installation tool is required. Remove contacts with plastic extraction tool 809-132.

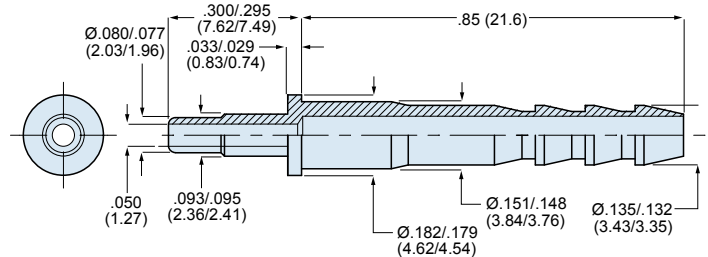
Contact Type	Tube I.D.	Part Number
Pin	.094 (2.38)	857-011
Socket	.094 (2.38)	857-010

Material and Finish

Body and Cap: stainless steel, passivated
O-ring: fluorosilicone
Washers: PTFE

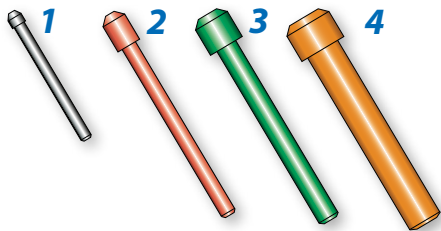


857-010 Socket Contact



857-011 Pin Contact

Grommet Sealing Plugs



Grommet sealing plugs are used to seal unwired contact cavities. The size #23 sealing plug is specially designed to fit Glenair Series 80 grommets. Sizes 20, 16 and 12 plugs conform to MS27488 requirements. After installing unwired contacts into unused cavities, insert knob end of sealing plug into grommet until it bottoms against the unwired contact per illustration. Install sealing plugs with standard contact insertion/extraction tools. Size #23 plug is polyphenylsulphone, other sizes are per MS27488 requirements.

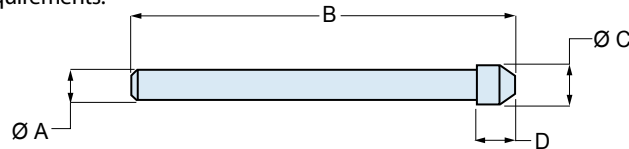
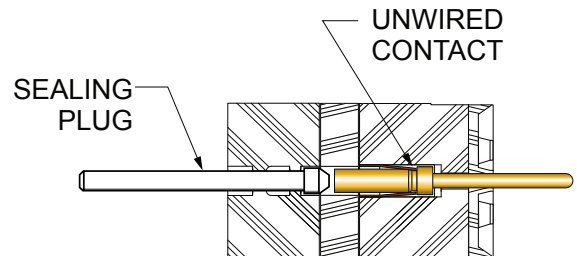


Fig.	Size	Color	Part Number	Military Part Number	Insertion/Removal Tool	A Ref.		B Ref.		C Ref.		D Ref.	
						in.	mm.	in.	mm.	in.	mm.	in.	mm.
1	#23	Black	809-155	(None)	M81969/14-01	.040	1.02	.51	13.0	.052	1.32	.050	1.27
2	#20	Red	859-012	MS27488-20-2	M81969/14-11	.053	1.35	.82	20.8	.085	2.16	.125	3.18
3	#16	Green	859-013	MS27488-16-2	M81969/14-03	.074	1.88	.88	22.4	.125	3.18	.125	3.18
4	#12	Orange	859-014	MS27488-12-2	M81969/14-04	.120	3.05	.85	21.6	.165	4.19	.125	3.18



Installation of Sealing Plugs

"When installing sealing plug in connector cavities without contacts, the end opposite the knob shall be inserted first and the knob shall be seated against the grommet face. When installing into cavities with contacts, the sealing plugs shall be installed knob end first and shall bottom on the contact wire barrel!" (NAVAIR 01-1A-505-1 Installation manual)



Dimensions in inches (millimeters) and are subject to change without notice.



Series 80 Mighty Mouse Contacts and Tools Crimp Tools and Positioners

A Miniature Adjustable Crimp Tools



A

These crimp tools perform precision eight indent crimps for gas-tight wire terminations and excellent tensile strength. Adjustment wheel has 8 settings. Ratchet mechanism prevents improper crimps. Use with bayonet-type positioners. Check calibration with M22520/3 gages. Length is 6.75 inches, weight is approx. 10 oz.

A Standard M22520/2-01 crimper. Use with standard size #23 and #20HD Mighty Mouse contacts and with M39029/76 and /78 coaxial center contacts. Requires positioner, ordered separately.

B Special MH992 crimper used with 50 ohm matched impedance coaxial inner contacts. Requires positioner, ordered separately.



B

Figure	Part Number	Military Part Number	Daniels Part Number	Tool Code
A	809-015	M22520/2-01	AFM8	A
B	809-128	(none)	MH992	B

Positioners For Use With Miniature Adjustable Crimp Tools

These bayonet-type positioners hold contacts at correct height for crimping with M22520/2 type miniature step adjustable tools, above. Face plate shows correct tool settings.



C



D

C Positioner for standard size #23 contacts. #22-#28 AWG. Use with 809-015 crimp tool.

G Positioner for M39029/27 and 28 #12 coaxial inner contact. Use with 809-015 crimp tool.

D Positioner for small bore size #23 contacts. #26-#30 AWG. Use with 809-015 crimp tool.

H Positioner for matched impedance #12 coaxial inner contact. Use with 809-128 crimp tool.

E Positioner for M39029/76 and 78 coaxial inner contact. Use with 809-015 crimp tool.

I Positioner for #20HD contacts. Use with 809-015 crimp tool.

F Positioner for matched impedance #12 coaxial inner contact. Use with 809-128 crimp tool.



E



F



G



H



I

Figure	Part Number	Military Part Number	Daniels Part Number	Tool Code
C	809-005	(none)	K1461	C
D	809-057	(none)	(none)	D
E	809-125	M22520/2-35	K532-1	E
F	809-124	(none)	K1360	F
G	809-135	M22520/2-34	K323	G
H	859-006	(none)	K1721	H
I	809-206	(none)	(none)	I

Dimensions in inches (millimeters) and are subject to change without notice.

© 2010 Glenair, Inc.

CAGE Code 06324

Printed in U.S.A.

GLENAIR, INC. • 1211 AIR WAY • GLENDALE, CA 91201-2497 • 818-247-6000 • FAX 818-500-9912

www.glenair.com

A-10

E-Mail: sales@glenair.com

01-JANUARY-2010

Series 80 Mighty Mouse Contacts and Tools

Crimp Tools and Positioners for Coaxial Contacts



Crimp Tool And Positioner For #12, #16 and #20 Power Contacts, 809-093 Adapters



J Crimp tool for use with size #20, #16 and #12 power pins. 9.75 inches OAL, 1.25 pounds. Use with M39029/57 and /58 contacts and 809-093 adapters.

K Positioner for use with size #20, #12 and #16 Power contacts.

L Positioner for use with 809-093 adapters.

Figure	Part Number	Military Part Number	Daniels Part Number	Tool Code
J	809-136	M22520/1-01	AF8	J
K	809-137	M22520/1-04	TH163	K
L	809-138	(none)	TH653	L

Crimp Tool And Positioner For #16 Coaxial Outer Contact



For crimping size #16 shield sleeves. These mil spec approved tools feature a ratchet mechanism to prevent damage from overcrimping. Check calibration with M22520/3 gage.

M Crimp tool for use with size #16 coaxial contacts. Blue handles. 9.75 inches OAL, 1.25 pounds.

N Positioner for use with size #16 coaxial contacts. Use with 809-127 (M22520/4-01) crimp tool.

Figure	Part Number	Military Part Number	Daniels Part Number	Tool Code
M	809-127	M22520/4-01	GS100-1	M
N	809-126	M22520/4-02	GP295	N

Crimp Tool And Positioner For #12 Coaxial Outer Contact



For crimping size #12 shield sleeves. These mil spec approved tools feature a ratchet mechanism to prevent damage from overcrimping. Check calibration with M22520/3 gage.

O Crimp tool for use with size #12 coaxial contacts. Black handles. 9.75 inches OAL, 1.25 pounds.

P Positioner for use with size #12 coaxial contacts. Use with 809-133 (M22520/31-01) crimp tool.

Figure	Part Number	Military Part Number	Daniels Part Number	Tool Code
O	809-133	M22520/31-01	GS200-1	O
P	809-134	M22520/31-02	G2P330	P

Parallel Action Crimp Tool and Hex Die Set for 50 Ohm Matched Impedance #12 Coax



Q Parallel action tool for use with hex crimp dies. 11 inches OAL, 2.0 pounds. Anodized aluminum frame, steel mechanism, plastic handles. Includes tool for die set removal. Accepts all M22520/5 die sets.

R Die set for terminating coaxial shield to outer contact. Use with size #12 matched impedance M39029/102 and 103 type coaxial contacts. Set consists of upper and lower halves. Made of hardened steel with black oxide finish. Die set has two closures.

Figure	Part Number	Military Part Number	Daniels Part Number	Tool Code
Q	809-129	M22520/5-01	HX4	Q
R	809-130	M22520/5-03	Y196	R

Dimensions in inches (millimeters) and are subject to change without notice.

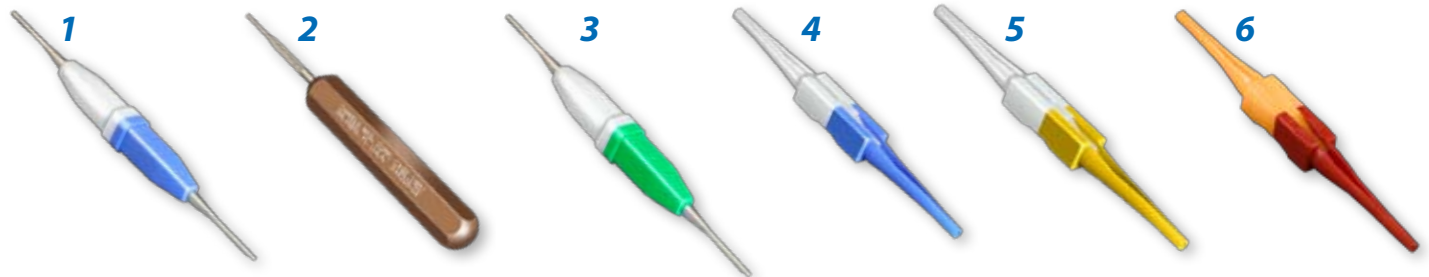


Series 80 Mighty Mouse Contacts and Tools

Contact Insertion and Removal Tools and Contact Retention Tester 809-107

A

Contact Insertion and Removal Tools



- 1** Insertion/Extraction Tool for #23 Contacts. This tool features molded plastic grips and sturdy stainless steel tips. Blue/White molded handle.
- 2** Insertion Tool for #23 Contacts. This tool features anodized aluminum handle and stainless steel insertion tip.
- 3** Insertion/Extraction Tool for #20HD Contacts. This tool features molded plastic grips and sturdy stainless steel tips. Green/White molded handle.
- 4** Insertion/Extraction Tool for #16 Contacts. Use with size #16 coaxial or power contacts. Economical molded plastic. White extraction tip, blue insertion tip.
- 5** Insertion/Extraction Tool for #12 Contacts. Use with size #12 coaxial or power contacts. Molded plastic. White extraction tip, yellow insertion tip.
- 6** Insertion/Extraction Tool for #20 Contacts. Molded plastic. Orange extraction tip, red insertion tip.

Figure	Size	Type	Part Number	Military Part Number	Daniels Part Number
1	#23	Insertion/Extraction	809-088	(None)	(None)
2	#23	Insertion Only	809-013	(None)	DAK225-22
3	#20HD	Insertion/Extraction	809-203	(None)	(None)
4	#16	Insertion/Extraction	809-131	M81969/14-03	(None)
5	#12	Insertion/extraction	809-132	M81969/14-04	(None)
6	#20	Insertion/extraction	809-207	M81969/14-10	(None)

Contact Retention Tester for Size #23 Contacts



Check for properly seated contacts with this spring-loaded tester. Apply the tool tip to the mating end of a contact. Push on the handle until the spring compresses to the recommended force. A visual indicator shows full compression. The contact is properly retained if it is not displaced.

The adjustable handle should be set to 3.2 pounds (14.2 N). The pin tip is used with #23 pin contacts. The socket tip is used with #23 socket contacts.

Order the complete kit, or order the tips and handle separately.

Figure	Description	Part Number	Daniels Part Number
1	Handle	809-107-1	HT250-2
2	Pin Tip	809-107-2	68-023-01
	Socket Tip (not shown)	809-107-3	67-023-01
	Complete Kit	809-107-4	(None)

Dimensions in inches (millimeters) and are subject to change without notice.

Series 80 Mighty Mouse Contacts and Tools

BAND-IT Shield Termination Tool Bands and Instructions

Glenair®

Contacts
Tools

A

BAND-IT® Shield Termination System



Fast, cost-effective shield termination. Attach cable shields to Series 80 connectors or backshells with **BAND-IT®** stainless steel straps. The **BAND-IT®** system offers fast termination and the flexibility to handle a wide range of parts with just one band size. Approved for aerospace and defense, these straps have successfully passed rigorous shock, vibration and environmental testing.

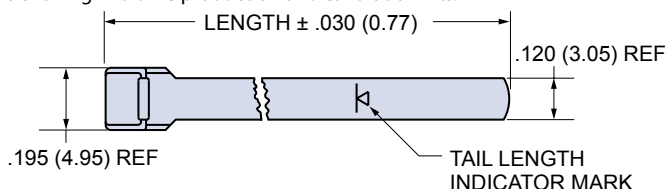
1 Micro Band Installation Tool. Use with .120" (3.05 mm) wide bands. 6.75 inches (172 mm.) length, 1.2 pounds (0.6 Kg.)

2 Micro Band, .120" (3.05 mm) wide. Available in two lengths, flat or pre-coiled. Stainless steel.

Figure	Description	Part Number
1	Micro Band Installation Tool	600-061

Figure	Length		Part Number		Accommodates Diameter	
	in.	mm.	Flat	Pre-Coiled	in.	mm.
2	8.125	206.38	600-057	600-057-1	.88	22.35
2	14.250	361.95	600-083	600-083-1	1.88	47.75

Contact Glenair or visit our website (glenair.com) to view our complete line of **BAND-IT®** products, including pneumatic tools for high volume production and calibration kits.



BAND-IT® Shield Termination Instructions

- Prepare Cable Braid for termination process (Figure 1).
- Push Braid forward over Adapter Retention Lip to the Adapter Incline Point (or .4" [10.2mm] minimum braid length). Milk Braid as required to remove slack and insure a snug fit around the shield termination area (Figure 2).
- Prepare the Band in the following manner:
 - IMPORTANT: Due to Connector/Adapter circumference, it may be necessary to prepare the Band around the Cable or Retention Area.
 - A. Roll Band through the Buckle Slot twice. (Bands must be double-coiled.)
 - B. Pull on Band until Mark (▶) is within approximately .250 inch (6.4mm) of Buckle Slot (Figure 3). The Band may be tightened further if desired.

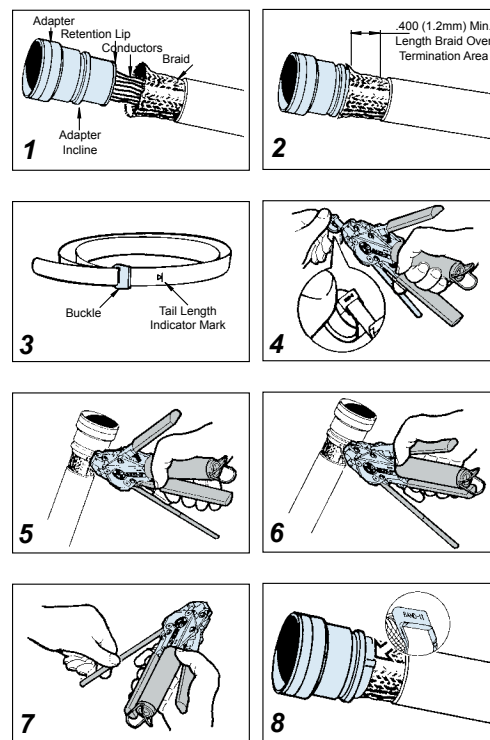
NOTE: Prepared Band should have (▶) Mark visible approximately where shown in Figure 3.

Shield Termination Clamping Process (Figures 4 thru 8)

NOTE: To free Tool Handles, move Holding Clips to center of Tool.

- Squeeze Gripper Release Lever and insert Band into the front end opening of the Tool. (NOTE: Circular portion of looped band must always face downward.)
- Aligning the Band and Tool with the Shield Termination Area, squeeze Black Pull-Up Handle repeatedly using short strokes until it locks against Tool Body. (This indicates the Band is compressed to the Tool Pre-calibrated Tension.)
- Complete the Clamping Process by squeezing the Gray Cut-Off Handle.
- Remove excess band from tool and dispose.
- Inspect Shield Termination.

NOTE: If alignment of band and shield is unsatisfactory, tension on band can be relaxed by pushing on slotted release lever on top of tool. Make adjustments as necessary and again squeeze black pull-up handle.



Dimensions in inches (millimeters) and are subject to change without notice.

© 2010 Glenair, Inc.

CAGE Code 06324

Printed in U.S.A.

GLENAIR, INC. • 1211 AIR WAY • GLENDALE, CA 91201-2497 • 818-247-6000 • FAX 818-500-9912

www.glenair.com

A-13

E-Mail: sales@glenair.com

01-JANUARY-2010



**Series 80 Mighty Mouse
Contacts and Tools
Jam Nut Tightening Tools
Connector Holding Fixtures**

Spanner Tool for Tightening Series 80 Jam Nuts

Use these tools to tighten Series 80 jam nuts. 1/4" or 3/8" square drive for use with torque wrenches. Heat-treated steel, nickel plated.



Shell Size	Spanner Tool Part Number					
	Series 800	Series 801	Series 803	Series 804 Style 07	Series 804 Style 00	Series 805
5	600-146-01	600-146-02	600-137-05	600-146-03	600-147-5	—
6	600-146-02	600-146-03	600-137-06	600-146-04	600-147-6	—
7	600-146-03	600-146-05	600-137-07	600-146-06	600-147-7	—
8	600-146-04	600-146-05	600-137-08	600-146-06	600-147-7	600-154-08
9	600-146-05	600-146-06	600-137-09	600-146-07	600-147-9	600-154-09
10	600-146-06	600-146-07	600-137-10	600-146-08	600-147-10	600-154-09
11	—	—	—	—	—	600-154-11
12	600-146-08	—	600-137-12	600-146-10	600-147-12	600-154-12
13	—	600-146-10	—	—	—	—
14	600-146-10	—	600-137-14	600-146-12	600-147-14	—
15	600-146-11	—	600-137-15	600-146-13	600-147-15	600-154-15
16	—	600-146-13	—	—	—	—
17	—	600-146-14	—	—	—	—
18	—	—	—	—	—	600-154-18
19	—	—	—	—	—	600-154-19
21	—	600-146-17	—	—	—	—
23	—	—	—	—	—	600-154-23

Connector Holding Tool for Tightening Backshells and Accessories



1

1 Plug tool for holding Series 80 plug connectors. Heat-treated steel, nickel plated.

2 Receptacle tool for holding Series 80 receptacle connectors. Heat-treated steel, nickel plated.



2

Shell Size	Holding Tool Part Number (Add P or R)								
	Series 800		Series 801		Series 803		Series 804	Series 805	
5	600M005-05	★	600MM005-05	◆	600-140-5	★	600-141-5	■	—
6	600M005-06	★	600MM005-06	◆	600-140-6	★	600-141-6	■	—
7	600M005-07	★	600MM005-07	◆	600-140-7	★	600-141-7	■	—
8	600M005-08	★	600MM005-08	◆	600-140-8	★	600-141-8	■	600-155-8
9	600M005-09	★	600MM005-09	◆	600-140-9	★	600-141-9	■	600-155-9
10	600M005-10	★	600MM005-10	◆	600-140-10	★	600-141-10	■	600-155-10
11	—		—		—		—		600-155-11
12	600M005-12	★	—		600-140-12	★	600-141-12	■	600-155-12
13	—		600MM005-13	◆	—		—		—
14	—		—		600-140-14	★	600-141-14	■	—
15	—		—		600-140-15	★	600-141-15	■	600-155-15
16	—		600MM005-16	◆	—		—		—
17	—		600MM005-17	◆	—		—		—
18	—		—		—		—		600-155-18
19	—		—		—		—		600-155-19
21	—		600MM005-21	◆	—		—		—
23	—		—		—		—		600-155-23

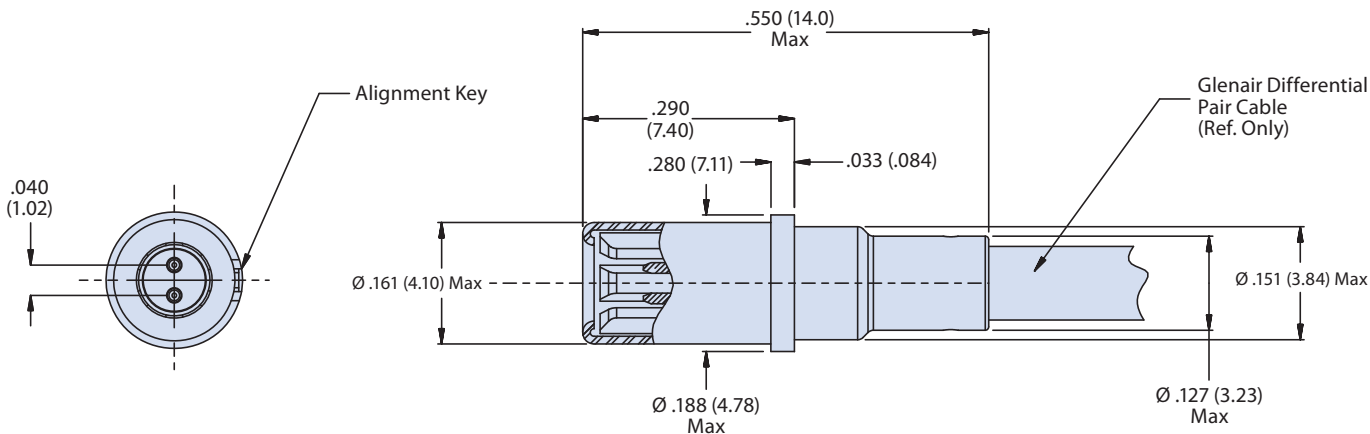
★ Add P for plug holder or R for receptacle holder, followed by polarizing position (N,X,Y,Z).
 ◆ Add P for plug holder or R for receptacle holder, followed by polarizing position (A,B,C,D).
 ■ Add P for plug holder or R for receptacle holder.

Dimensions in inches (millimeters) and are subject to change without notice.

Size #12 Differential Twinax Socket Contact for Multi-Gigabit Data Rate Applications


These solder terminated #12 twinax socket contacts accept 100 ohm twinax cable. Current rating is 1 Amp. DWV rating is 500 Vac rms sea level, 125 Vac at 70,000 feet. Contacts are packaged individually and shipped unassembled with instruction sheet. One contact consists of outer contact, center contact and crimp sleeve. All contacts are gold-plated copper alloy. 5000 megohm insulation resistance at 200Vdc. Mates with: 853-016. Ideally suited for multi-gigabit data rate applications such as 1000 Base-T gigabit ethernet.

Type	Glenair Part No.	Military Part No.	AWG Wire Size	Cable Accommodation	Impedance	Frequency Range	VSWR	Insertion Loss
Socket	853-015-01	N/A	28	859-041 963-001	100-Ohms Nominal	DC to 10 GHz	1.1 + (.03 * F GHz)	1.3 *F GHz


Material and Finish

Contact Body: Copper Alloy/Gold Plated
 Center Contact: Copper Alloy/Gold Plated
 Crimp Sleeve: Brass or equivalent/Gold Plated

Electrical Parameters

Differential Impedance: 100-ohms nominal
 Frequency Range: DC to 10 GHz
 VSWR: 1.1+ (.03* F GHz)
 Insertion Loss: 1/3* F GHz
 Dielectric Withstanding Voltage: 500 Vrms
 Insulation Resistance: 5000 Megohms minimum

Notes

Contact is designed to accommodate Glenair P/N 963-001 cable.
 For assembly instructions, see AI85014.
 Socket contact shall mate with Glenair Pin Contact P/N 853-016-XX.
 For use in Glenair Mighty Mouse and Series 79 Micro-Crimp connectors only.
 PCB Tail-equipped contacts also available. Consult factory.

Designed for use with 853-015-01

963-001

Differential Pair Cable

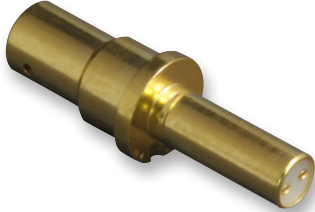


853-016

Size #12 Differential Twinax Pin Contact
For Use with Mighty Mouse and Series 79 Micro-Crimp

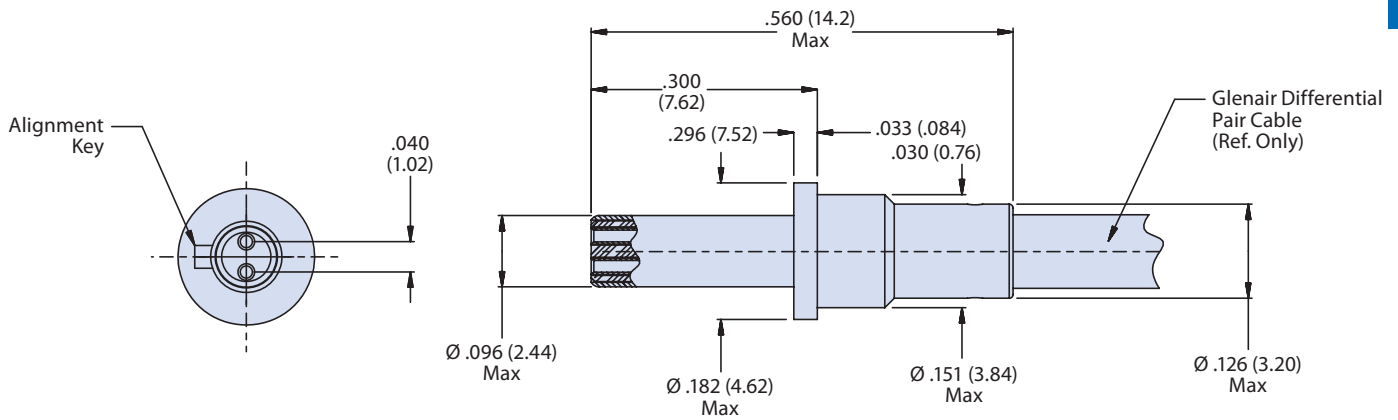


Size #12 Differential Twinax Pin Contact for Multi-Gigabit Data Rate Applications



These solder terminated #12 twinax pin contacts accept 100 ohm twinax cable. Current rating is 1 Amp. DWV rating is 500 Vac rms sea level, 125 Vac at 70,000 feet. Contacts are packaged individually and shipped unassembled with instruction sheet. One contact consists of outer contact, center contact and crimp sleeve. All contacts are gold-plated copper alloy. 5000 megohm insulation resistance at 200Vdc. Mates with: 853-015. Ideally suited for multi-gigabit data rate applications such as 1000 Base-T gigabit ethernet.

Type	Glenair Part No.	Military Part No.	AWG Wire Size	Cable Accommodation	Impedence	Frequency Range	VSWR	Insertion Loss
Pin	853-016-01	N/A	28	859-041 963-001	100-Ohms Nominal	DC to 10 GHz	1.1 + (.03 * F GHz)	1.3 *F GHz



Material and Finish

Contact Body: Copper Alloy/Gold Plated
 Center Contact: Copper Alloy/Gold Plated
 Crimp Sleeve: Brass or equivalent/Gold Plated

Electrical Parameters

Differential Impedence: 100-ohms nominal
 Frequency Range: DC to 10 Ghz
 VSWR: 1.1+(.03* F Ghz)
 Insertion Loss: 1/3* F Ghz
 Dielectric Withstanding Voltage: 500 Vrms
 Insulation Resistance: 5000 Megohms minimum

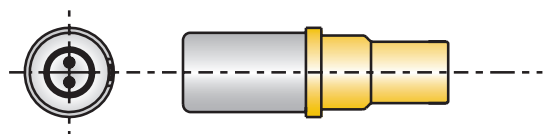
Notes

Contact is designed to accommodate Glenair P/N 963-001 cable.
 For assembly instructions, see AI85014.
 Pin contact shall mate with Glenair Socket Contact P/N 853-015-XX.
 For use in Glenair Mighty Mouse and Series 79 Micro-Crimp connectors only.
 PCB Tail-equipped contacts also available. Consult factory.

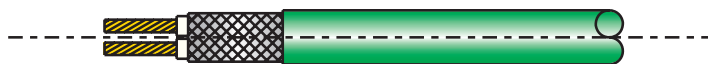




AI85014 Twinax Socket Contact Assembly Instructions



Socket Contact

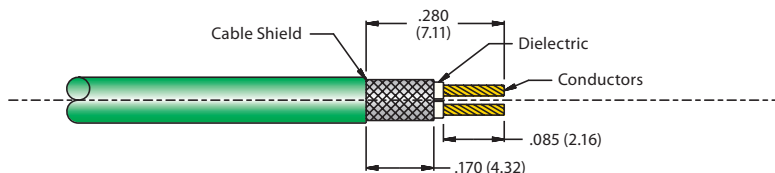


100 Ohm Parallel Cable

B

STEP 1

1. Strip cable to dimensions shown.
Be careful not to flare braid open.
2. Pre-tin conductor and braid shield.
3. Clean the solder joint with alcohol.



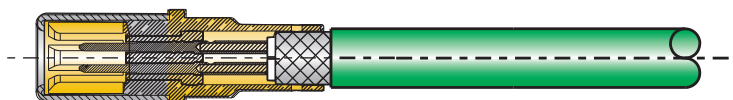
STEP 2

1. Insert cable into socket contact.
Make sure center conductor lines up to the center socket.



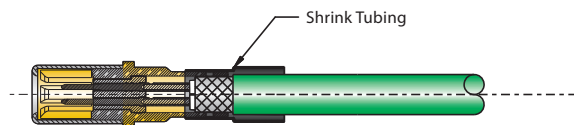
STEP 3

1. Install center conductors until they bottom-out in the contact cavity.
Inspect to ensure cable shield is visible through the inspection hole.
2. Apply flux and solder through the inspection hole; remove residues and contamination with alcohol after soldering.



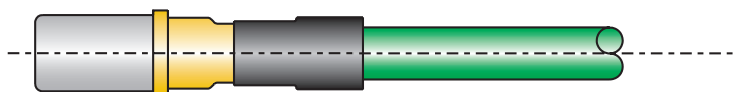
STEP 4

1. Install M23053/5-204 or M23053/6-204 shrink tubing; cover solder area and extend insulation by minimum of one wire diameter.

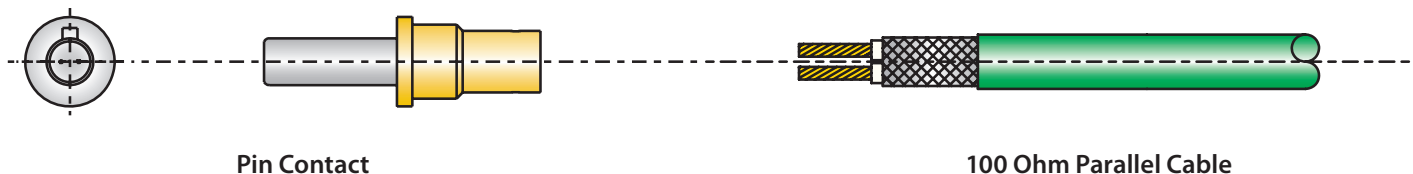


STEP 5

1. Illustrates final assembly.



AI85015
Twinax Pin Contact
Assembly Instructions








STEP 1	
<ol style="list-style-type: none"> Strip cable to dimensions shown. Be careful not to flare braid open. Pre-tin conductor and braid shield. Clean the solder joint with alcohol. 	
STEP 2	
<ol style="list-style-type: none"> Insert cable into pin contact. Make sure center conductor lines up to the center pin. 	
STEP 3	
<ol style="list-style-type: none"> Install center conductors until they bottom-out in the contact cavity. Inspect to ensure cable shield is visible through the inspection hole. Apply flux and solder through the inspection hole; remove residues and contamination with alcohol after soldering. 	
STEP 4	
<ol style="list-style-type: none"> Install M23053/5-204 or M23053/6-204 shrink tubing; cover solder area and extend insulation by minimum of one wire diameter. 	
STEP 5	
<ol style="list-style-type: none"> Illustrates final assembly. 	

B

Series 80 Mighty Mouse Contact Arrangements



SERIES 80 MIGHTY MOUSE CONTACT ARRANGEMENTS

Contact Size	Number of Contacts	Contact Arrangement					
		Series 800	Series 801	Series 802	Series 803	Series 804	Series 805
Size #23 Contacts #22-#28 AWG 	3	5-3	5-3	5-3	5-3	5-3	Not Avail.
	4	6-4	6-4	6-4	6-4	6-4	8-4
	6	6-6	6-6	6-6	6-6	6-6	8-6
	7	6-7	6-7	6-7	6-7	6-7	8-7
	10	7-10	7-10	7-10	7-10	7-10	9-10
	13	8-13	8-13	8-13	8-13	8-13	10-13
	19	9-19	9-19	9-19	9-19	9-19	11-19
	26	10-26	10-26	10-26	10-26	10-26	12-26
	31	11-31	11-31	11-31	11-31	11-31	13-31
	37	12-37	13-37	12-37	12-37	12-37	15-37
	55	Not Avail.	16-55	14-55	14-55	14-55	18-55
	85	Not Avail.	17-85	15-85	Not Avail.	Not Avail.	19-85
	100	Not Avail.	19-100	19-100	Not Avail.	Not Avail.	21-100
130	Not Avail.	21-130	21-130	Not Avail.	Not Avail.	23-130	
Size #20HD Contacts #20-#24 AWG 	3	6-23	6-23	6-23	6-23	6-23	8-23
	5	7-25	7-25	7-25	7-25	7-25	9-25
	8	8-28	8-28	8-28	8-28	8-28	10-28
	10	9-210	9-210	9-210	9-210	9-210	11-210
	20	12-220	13-220	12-220	12-220	12-220	15-220
	35	Not Avail.	16-235	14-235	14-235	14-235	18-235
	41	Not Avail.	17-241	15-241	Not Avail.	Not Avail.	19-241
	55	Not Avail.	19-255	19-255	Not Avail.	Not Avail.	19-255
	69	Not Avail.	21-269	21-269	Not Avail.	Not Avail.	23-269
	Size #16 Contacts #16-#20 AWG 	1	6-1	6-1	6-1	6-1	6-1
2		8-2	8-2	8-2	8-2	8-2	10-2
4		9-4	9-4	9-4	9-4	9-4	11-4
5		10-5	10-5	10-5	10-5	10-5	12-5
7		12-7	13-7	12-7	12-7	12-7	15-7
12		Not Avail.	16-12	14-12	14-12	14-12	18-12
14		Not Avail.	17-14	15-14	Not Avail.	Not Avail.	19-14
19		Not Avail.	19-19	19-19	Not Avail.	Not Avail.	21-19
22		Not Avail.	21-22	21-22	Not Avail.	Not Avail.	23-22
Size #12 Contacts #12-#14 AWG 		1	7-1	7-1	7-1	7-1	7-1
	2	10-2	10-2	10-2	10-2	10-2	12-2
	2	12-2	13-2	12-2	12-2	12-2	15-2
	3	12-3	13-3	12-3	12-3	12-3	15-3
	5	Not Avail.	16-5	14-5	14-5	14-5	18-5
	7	Not Avail.	17-7	15-7	Not Avail.	Not Avail.	19-7
	12	Not Avail.	21-12	21-12	Not Avail.	Not Avail.	23-12
Size #8 Contacts #8 AWG 	1	8-1	8-1	8-1	8-1	8-1	10-1
	2	Not Avail.	16-2	14-2	14-2	14-2	18-2
	3	Not Avail.	17-3	15-3	Not Avail.	Not Avail.	19-3
	4	Not Avail.	19-4	19-4	Not Avail.	Not Avail.	21-4
	5	Not Avail.	21-5	21-5	Not Avail.	Not Avail.	23-5

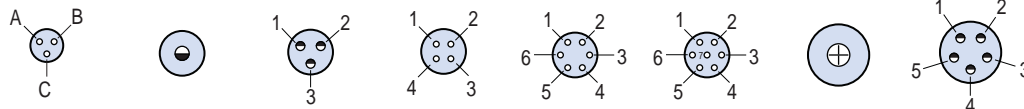
SERIES 80 MIGHTY MOUSE COMBO ARRANGEMENTS

Contact Arrangements with Mixed Size (Combo) Layouts	Contact Size and Qty					Contact Arrangement					
	#23	#20	#20HD	#16	#12	Series 800	Series 801	Series 802	Series 803	Series 804	Series 805
	4	2				8-200	8-200	8-200	8-200	8-200	10-200
8	2				9-201	9-201	9-201	9-201	9-201	11-201	
4			2		9-200	9-200	9-200	9-200	9-200	11-200	
8			2		10-202	10-202	10-202	10-202	10-202	12-202	
4				2	10-201	10-201	10-201	10-201	10-201	12-201	
6				2	12-200	13-200	12-200	12-200	12-200	15-200	
10				2	12-201	13-201	12-201	12-201	12-201	15-201	
12				1	10-200	10-200	10-200	10-200	10-200	12-200	

Dimensions in inches (millimeters) and are subject to change without notice.

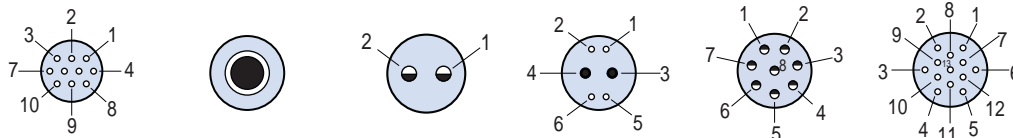
Mating Face View of Pin Connector (socket connector numbers are reversed)

Contact Legend
 #23 ◦ #20HD ◯ #20 ● #16 ◐ #12 ⊕



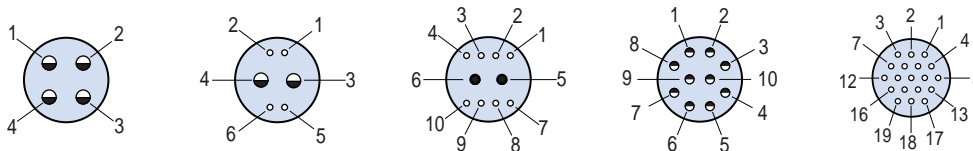
Series 800, 801, 802, 803, 804	5-3	6-1	6-23	6-4	6-6	6-7	7-1	7-25
Series 805	Not Avail.	8-1	8-23	8-4	8-6	8-7	9-1	9-25
No. of Contacts	3	1	3	4	6	7	1	5
Contact Size	#23	#16	#20HD	#23	#23	#23	#12	#20HD
DWV Voltage (VAC)	500	1800	750	500	500	500	1800	750
Current Rating (Amps)	5	13	7.5	5	5	5	23	7.5

Contact Legend
 #23 ◦ #20HD ◯ #20 ● #16 ◐ #12 ⊕ #8 ●



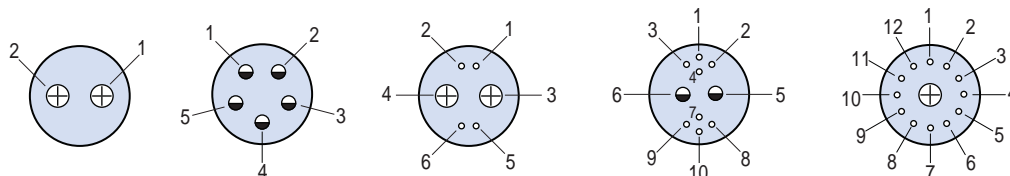
Series 800, 801, 802, 803, 804	7-10	8-1	8-2	8-200	8-28	8-13
Series 805	9-10	10-1	10-2	10-200	10-28	10-13
No. of Contacts	10	1	2	2 4	8	13
Contact Size	#23	#8	#16	#20 #23	#20HD	#23
DWV Voltage (VAC)	500	1800	1800	1000 500	750	500
Current Rating (Amps)	5	46	13	7 5	7.5	5

Contact Legend
 #23 ◦ #20HD ◯ #20 ● #16 ◐ #12 ⊕



Series 800, 801, 802, 803, 804	9-4	9-200	9-201	9-210	9-19
Series 805	11-4	11-200	11-201	11-210	11-19
No. of Contacts	4	2 4	2 8	10	19
Contact Size	#16	#16 #23	#20 #23	#20HD	#23
DWV Voltage (VAC)	1800	1800 500	1000 500	750	500
Current Rating (Amps)	13	13 5	7.5 5	7.5	5

Contact Legend
 #23 ◦ #20HD ◯ #20 ● #16 ◐ #12 ⊕



Series 800, 801, 802, 803, 804	10-2	10-5	10-201	10-202	10-200
Series 805	12-2	12-5	12-201	12-202	12-200
No. of Contacts	2	5	2 4	2 8	1 12
Contact Size	#12	#16	#12 #23	#16 #23	#12 #23
DWV Voltage (VAC)	1800	1800	1800 500	1800 500	1800 500
Current Rating (Amps)	23	13	23 5	13 5	23 5

Dimensions in inches (millimeters) and are subject to change without notice.

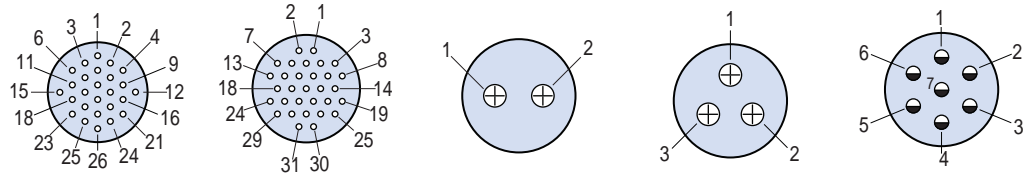
Series 80 Mighty Mouse Contact Arrangements



Mating Face View of Pin Connector (socket connector numbers are reversed)

Contact Legend

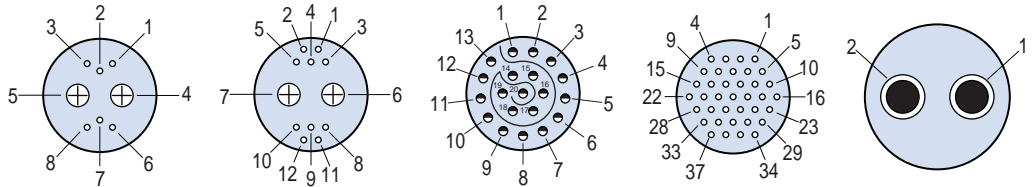
- #23 ○
- #20HD ●
- #20 ●
- #16 ●
- #12 ⊕



Series 800, 802, 803, 804	10-26	11-31	12-2	12-3	12-7
Series 801	10-26	11-31	13-2	13-3	13-7
Series 805	12-26	13-31	15-2	15-3	15-7
No. of Contacts	26	31	2	3	7
Contact Size	#23	#23	#12	#12	#16
DWV Voltage (VAC)	500	500	1800	1800	1800
Current Rating (Amps)	5	5	23	23	13

Contact Legend

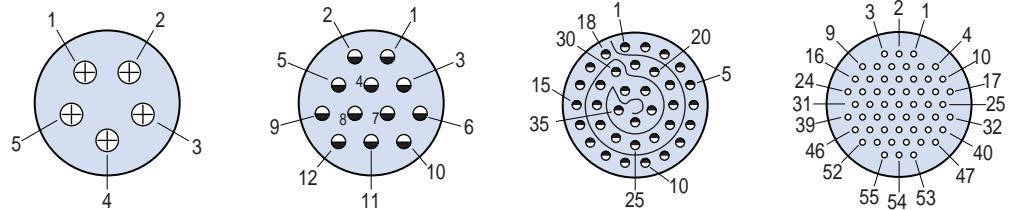
- #23 ○
- #20HD ●
- #20 ●
- #16 ●
- #12 ⊕
- #8 ●



Series 800	12-200	12-201	12-220	12-37	Not Avail.
Series 802, 803, 804	12-200	12-201	12-220	12-37	14-2
Series 801	13-200	13-201	13-220	13-37	16-2
Series 805	15-200	15-201	15-220	15-37	18-2
No. of Contacts	2 6	2 10	20	37	2
Contact Size	#12 #23	#12 #23	#20HD	#23	#8
DWV Voltage (VAC)	1800 500	1800 500	750	500	1800
Current Rating (Amps)	23 5	23 5	7.5	5	46

Contact Legend

- #23 ○
- #20HD ●
- #20 ●
- #16 ●
- #12 ⊕



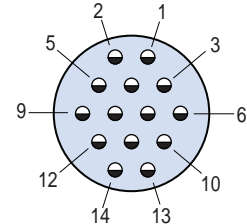
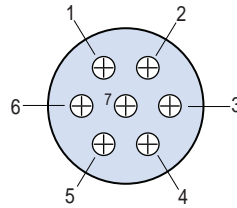
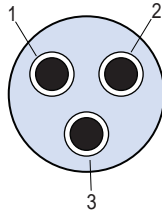
Series 802, 803, 804	14-5	14-12	14-235	14-55
Series 801	16-5	16-12	16-235	16-55
Series 805	18-5	18-12	18-235	18-55
No. of Contacts	5	12	35	55
Contact Size	#12	#16	#20HD	#23
DWV Voltage (VAC)	1800	1800	750	500
Current Rating (Amps)	23	13	7.5	5

Dimensions in inches (millimeters) and are subject to change without notice.

Mating Face View of Pin Connector (socket connector numbers are reversed)

Contact Legend

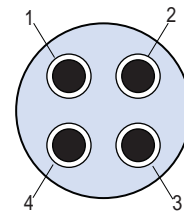
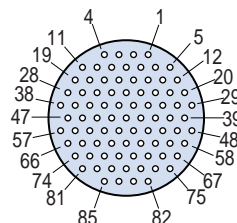
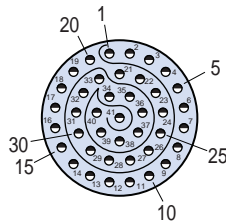
- #23 ○
- #20HD ●
- #20 ●
- #16 ●
- #12 ⊕
- #8 ●



Series 801	17-3	17-7	17-14
Series 802	15-3	15-7	15-14
Series 805	19-3	19-7	19-14
No. of Contacts	3	7	14
Contact Size	#8	#12	#16
DWV Voltage (VAC)	1800	1800	1800
Current Rating (Amps)	46	23	13

Contact Legend

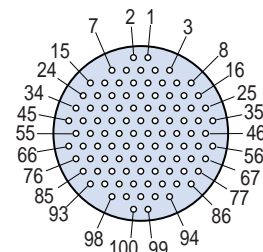
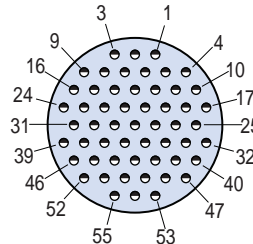
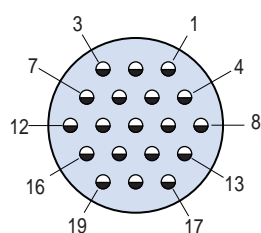
- #23 ○
- #20HD ●
- #20 ●
- #16 ●
- #12 ⊕
- #8 ●



Series 801	17-241	17-85	19-4
Series 802	15-241	15-85	19-4
Series 805	19-241	19-85	21-4
No. of Contacts	41	85	4
Contact Size	#20HD	#23	#8
DWV Voltage (VAC)	750	500	1800
Current Rating (Amps)	7.5	5	46

Contact Legend

- #23 ○
- #20HD ●
- #20 ●
- #16 ●
- #12 ⊕
- #8 ●



Series 801, 802	19-19	19-255	19-100
Series 805	21-19	21-255	21-100
No. of Contacts	19	55	100
Contact Size	#16	#20HD	#23
DWV Voltage (VAC)	1800	750	500
Current Rating (Amps)	13	7.5	5

Dimensions in inches (millimeters) and are subject to change without notice.

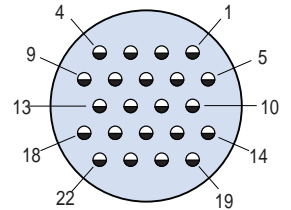
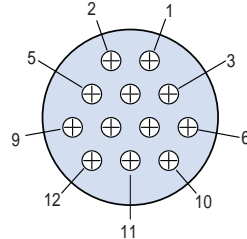
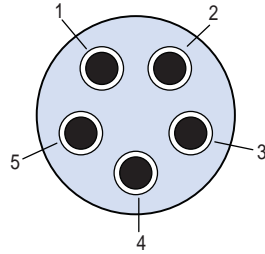
Series 80 Mighty Mouse Contact Arrangements



Mating Face View of Pin Connector (socket connector numbers are reversed)

Contact Legend

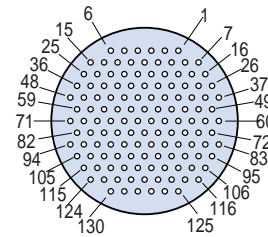
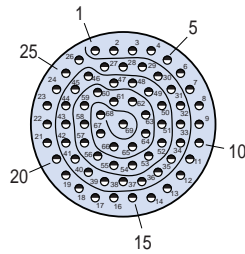
- #23 ○
- #20HD ●
- #20 ●
- #16 ●
- #12 ⊕
- #8 ●



Series 801, 802	21-5	21-12	21-22
Series 805	23-5	23-12	23-22
No. of Contacts	5	12	22
Contact Size	#8	#12	#16
DWV Voltage (VAC)	1800	1800	1800
Current Rating (Amps)	46	23	13

Contact Legend

- #23 ○
- #20HD ●
- #20 ●
- #16 ●
- #12 ⊕
- #8 ●



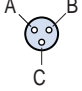
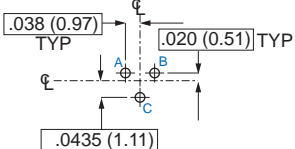
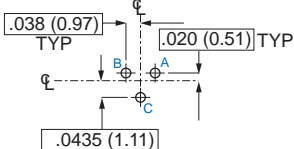
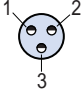
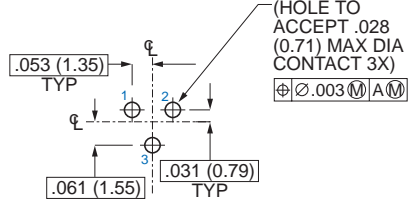
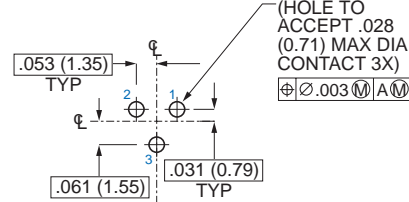
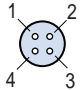
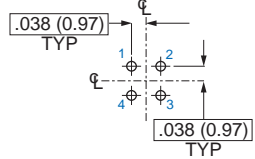
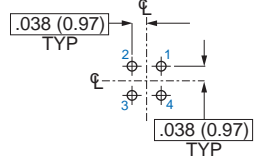
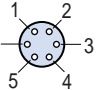
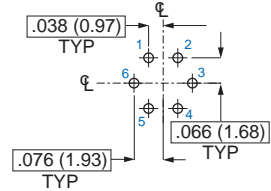
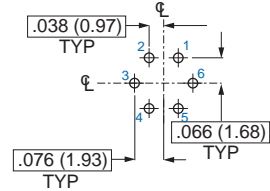
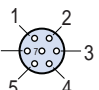
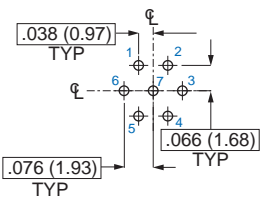
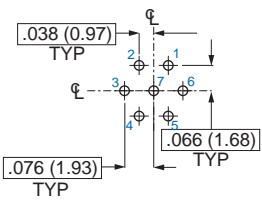
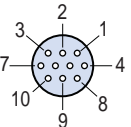
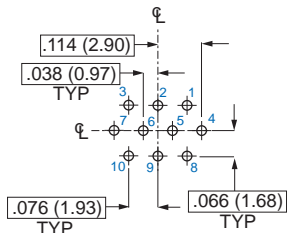
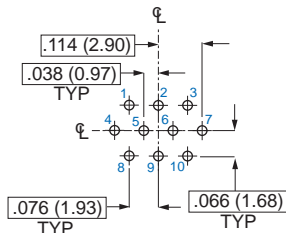
Series 801, 802	21-269	21-130
Series 805	23-269	23-130
No. of Contacts	69	130
Contact Size	#20HD	#23
DWV Voltage (VAC)	750	500
Current Rating (Amps)	7.5	5

Dimensions in inches (millimeters) and are subject to change without notice.

Series 80 Mighty Mouse Technical Reference Straight PCB Footprints

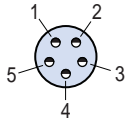
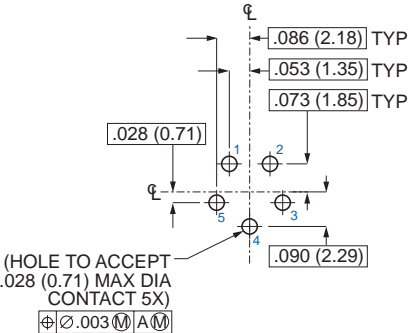
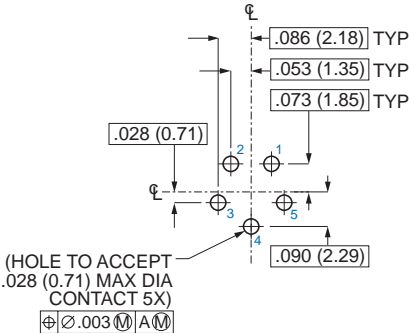
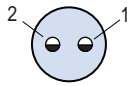
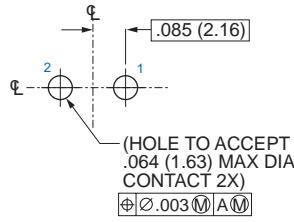
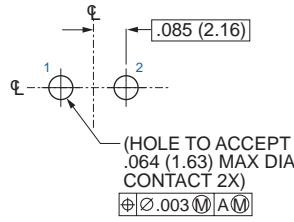
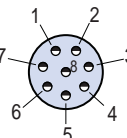
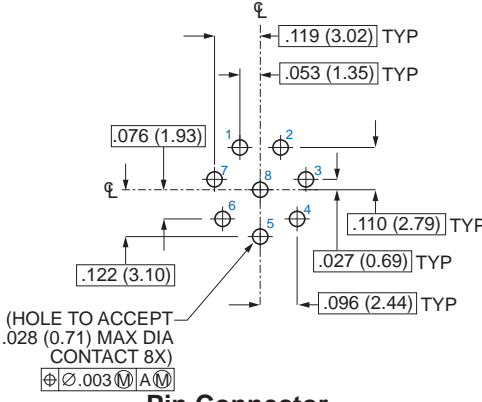
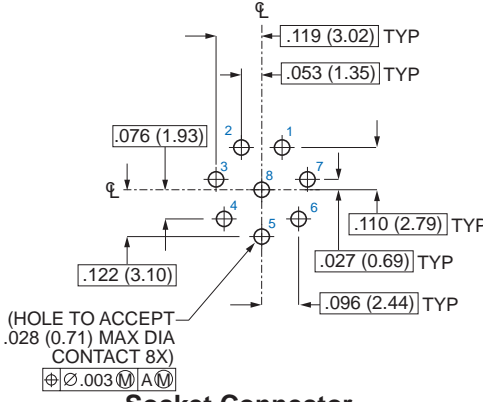
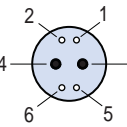
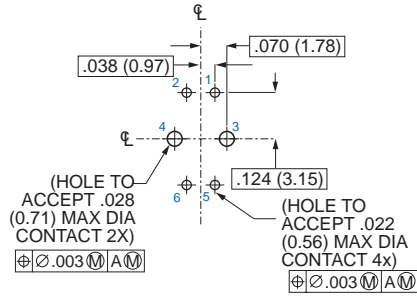
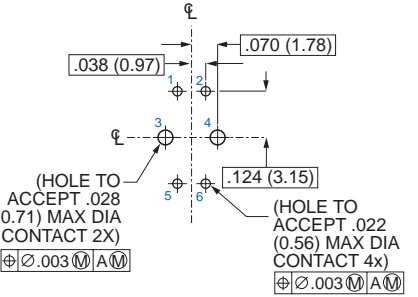


Component Mounting Side of PCB

 <p>Insert Arrangement 5-3 3 #23 Contacts .022 (0.56) Max. Dia. Tail</p>	 <p>Pin Connector</p>	 <p>Socket Connector</p>
 <p>Insert Arrangement 6-23, 8-23 3 #20HD Contacts .028 (0.56) Max. Dia. Tail</p>	 <p>Pin Connector</p> <p>(HOLE TO ACCEPT .028 (0.71) MAX DIA CONTACT 3X) ⌀.003 (M) A (M)</p>	 <p>Socket Connector</p> <p>(HOLE TO ACCEPT .028 (0.71) MAX DIA CONTACT 3X) ⌀.003 (M) A (M)</p>
 <p>Insert Arrangement 6-4, 8-4 4 #23 Contacts .022 (0.56) Max. Dia. Tail</p>	 <p>Pin Connector</p>	 <p>Socket Connector</p>
 <p>Insert Arrangement 6-6, 8-6 6 #23 Contacts .022 (0.56) Max. Dia. Tail</p>	 <p>Pin Connector</p>	 <p>Socket Connector</p>
 <p>Insert Arrangement 6-7, 8-7 7 #23 Contacts .022 (0.56) Max. Dia. Tail</p>	 <p>Pin Connector</p>	 <p>Socket Connector</p>
 <p>Insert Arrangement 7-10, 9-10 10 #23 Contacts .022 (0.56) Max. Dia. Tail</p>	 <p>Pin Connector</p>	 <p>Socket Connector</p>

Dimensions in inches (millimeters) and are subject to change without notice.

Component Mounting Side of PCB

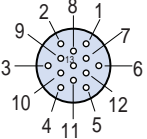
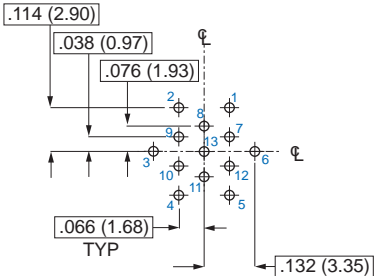
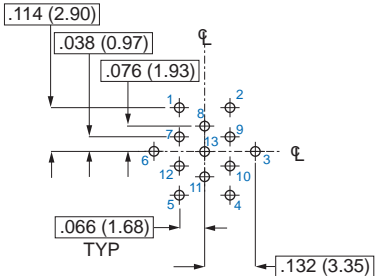
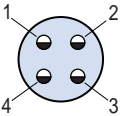
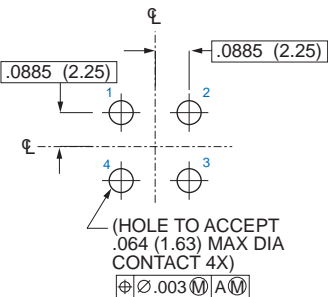
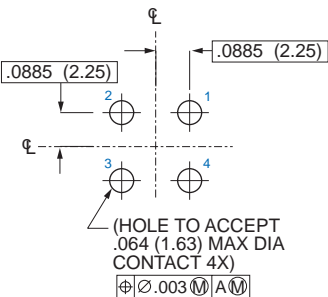
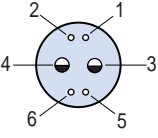
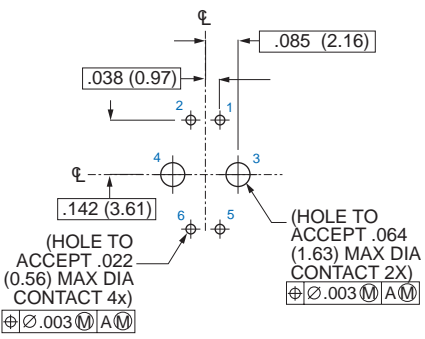
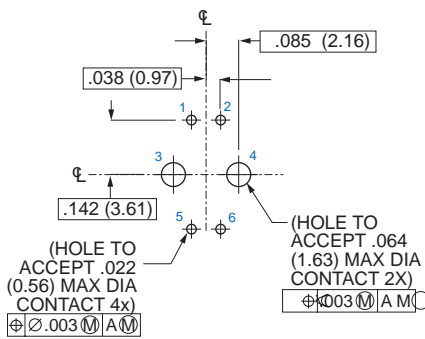
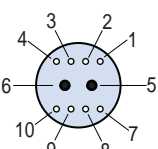
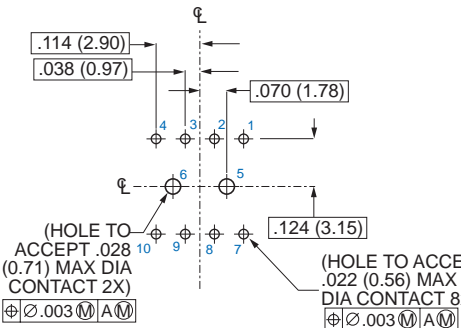
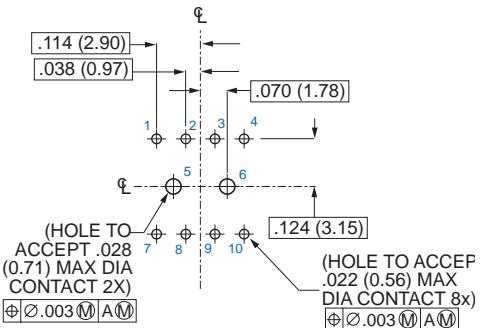
 <p>Insert Arrangement 7-25, 9-25 5 #20HD Contacts .028 (0.71) Max. Dia. Tail</p>	 <p>Pin Connector</p>	 <p>Socket Connector</p>
 <p>Insert Arrangement 8-2, 10-2 2 #16 Contacts</p>	 <p>Pin Connector</p>	 <p>Socket Connector</p>
 <p>Insert Arrangement 8-28, 10-28 8 #20HD Contacts</p>	 <p>Pin Connector</p>	 <p>Socket Connector</p>
 <p>Insert Arrangement 8-200, 10-200 2 #20 Contacts 4 #23 Contacts</p>	 <p>Pin Connector</p>	 <p>Socket Connector</p>

Dimensions in inches (millimeters) and are subject to change without notice.

Series 80 Mighty Mouse Technical Reference Straight PCB Footprints

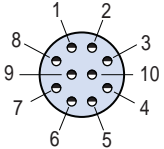
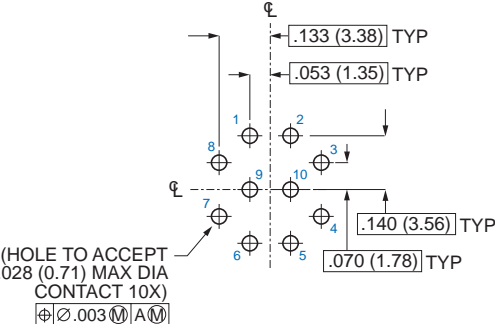
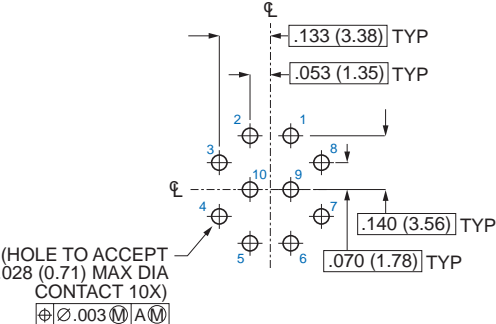
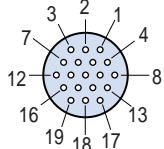
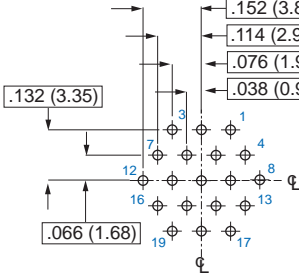
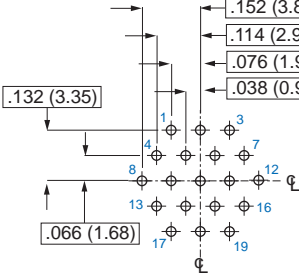
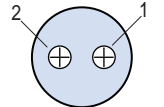
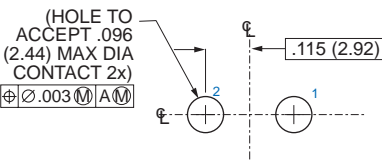
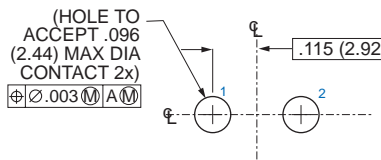
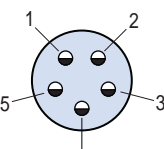
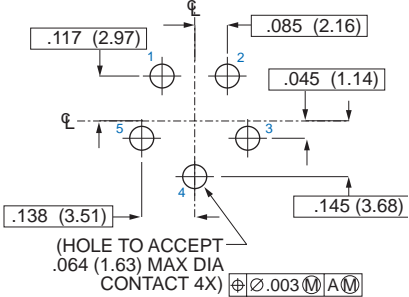
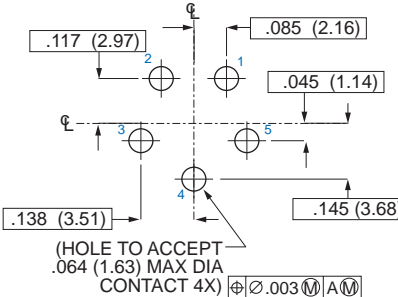


Component Mounting Side of PCB

 <p>Insert Arrangement 8-13, 10-13 13 #23 Contacts .022 (0.56) Max. Dia. Tail</p>	 <p>Pin Connector</p>	 <p>Socket Connector</p>
 <p>Insert Arrangement 9-4, 11-4 4 #16 Contacts</p>	 <p>Pin Connector</p>	 <p>Socket Connector</p>
 <p>Insert Arrangement 9-200, 11-200 4 #23 Contacts 2 #16 Contacts</p>	 <p>Pin Connector</p>	 <p>Socket Connector</p>
 <p>Insert Arrangement 9-201, 11-201 2 #20 Contacts 8 #23 Contacts</p>	 <p>Pin Connector</p>	 <p>Socket Connector</p>

Dimensions in inches (millimeters) and are subject to change without notice.

Component Mounting Side of PCB

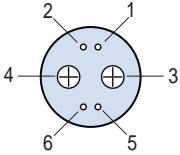
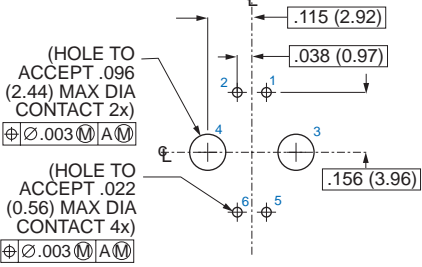
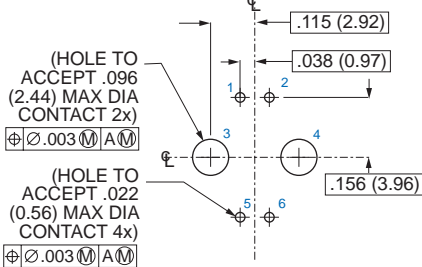
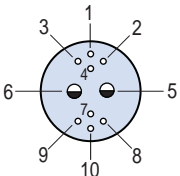
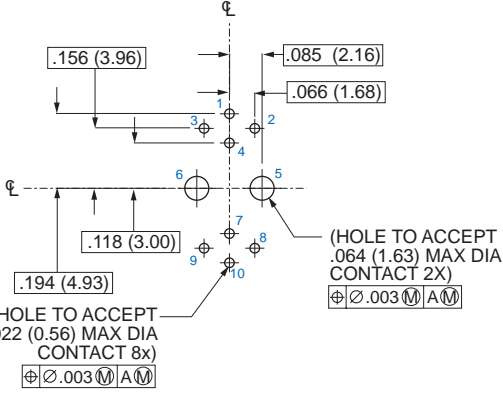
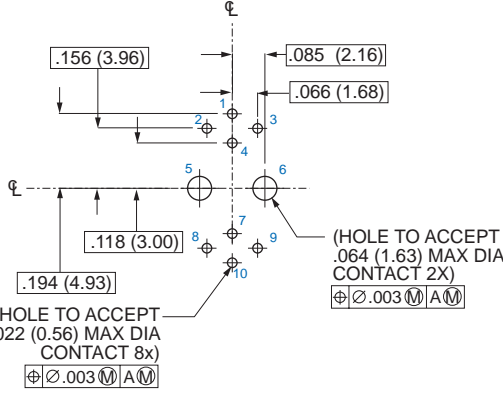
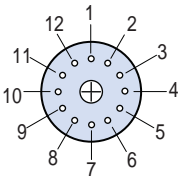
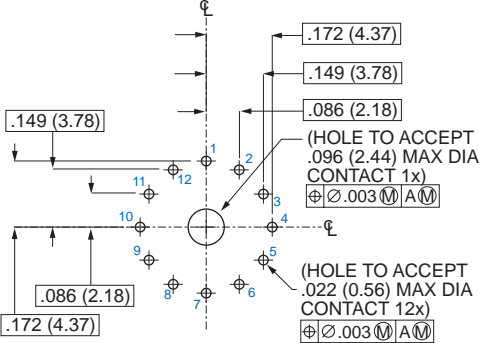
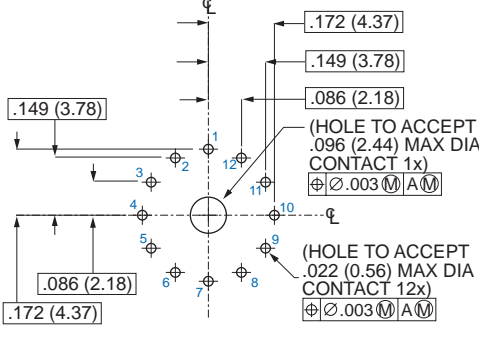
 <p>Insert Arrangement 9-210, 11-210 10 #20HD Contacts</p>	 <p>Pin Connector</p>	 <p>Socket Connector</p>
 <p>Insert Arrangement 9-19, 11-19 19 #23 Contacts .022 (0.56) Max. Dia. Tail</p>	 <p>Pin Connector</p>	 <p>Socket Connector</p>
 <p>Insert Arrangement 10-2, 12-2 2 #12 Contacts</p>	 <p>Pin Connector</p>	 <p>Socket Connector</p>
 <p>Insert Arrangement 10-5, 12-5 5 #16 Contacts</p>	 <p>Pin Connector</p>	 <p>Socket Connector</p>

Dimensions in inches (millimeters) and are subject to change without notice.

Series 80 Mighty Mouse Technical Reference Straight PCB Footprints

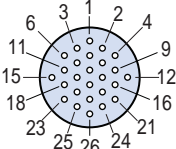
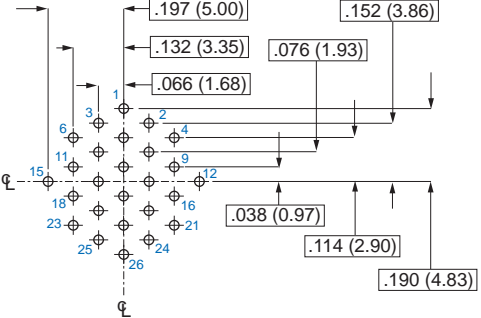
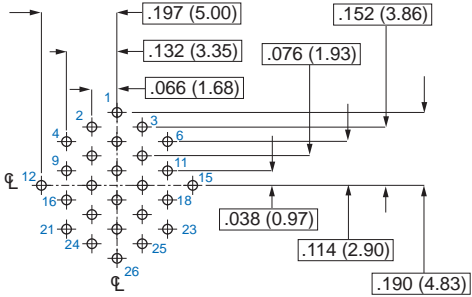
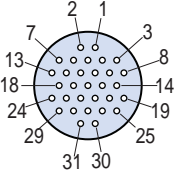
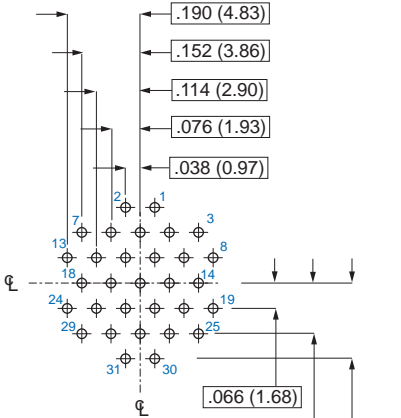
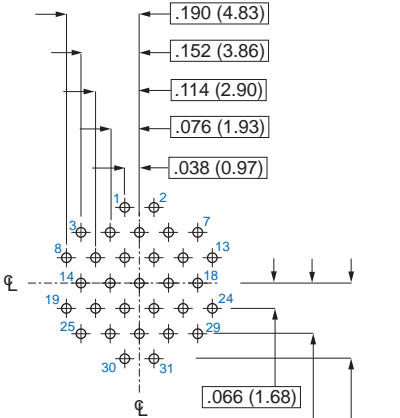
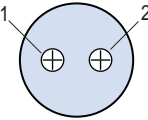
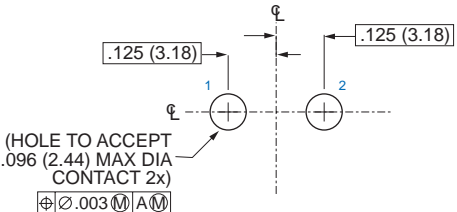
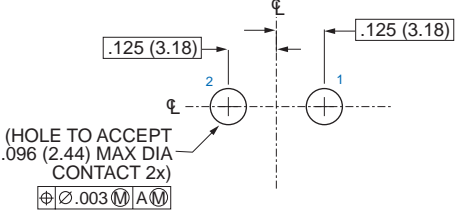


Component Mounting Side of PCB

 <p>Insert Arrangement 10-201, 12-201 2 #12 Contacts 4 #23 Contacts</p>	 <p>Pin Connector</p>	 <p>Socket Connector</p>
 <p>Insert Arrangement 10-202, 12-202 2 #16 Contacts 8 #23 Contacts</p>	 <p>Pin Connector</p>	 <p>Socket Connector</p>
 <p>Insert Arrangement 10-200, 12-200 1 #12 Contact 12 #23 Contacts</p>	 <p>Pin Connector</p>	 <p>Socket Connector</p>

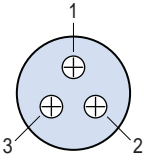
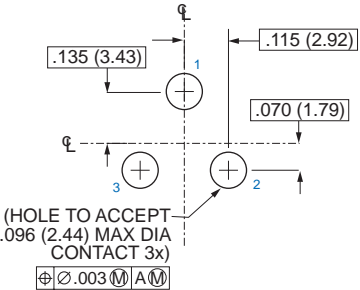
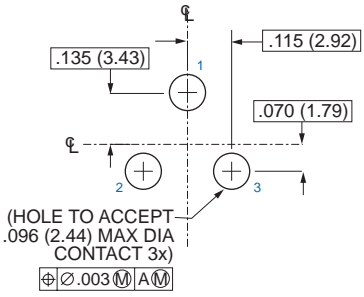
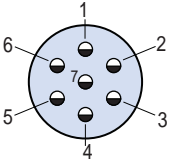
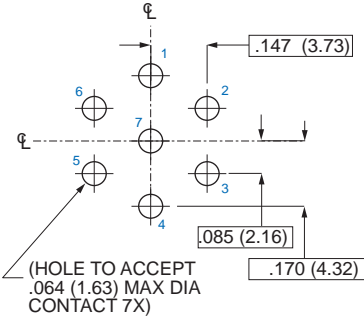
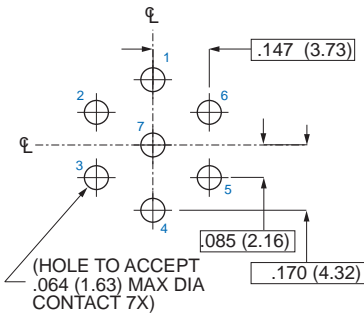
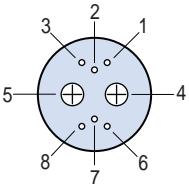
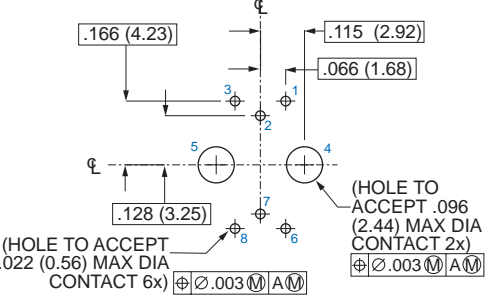
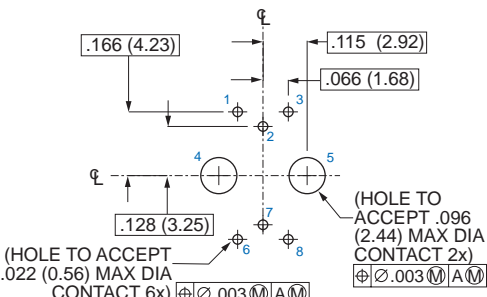
Dimensions in inches (millimeters) and are subject to change without notice.

Component Mounting Side of PCB

 <p>Insert Arrangement 10-26, 12-26 26 #23 Contacts .022 (0.56) Max. Dia. Tail</p>	 <p>Pin Connector</p>	 <p>Socket Connector</p>
 <p>Insert Arrangement 11-31, 13-31 31 #23 Contacts .022 (0.56) Max. Dia. Tail</p>	 <p>Pin Connector</p>	 <p>Socket Connector</p>
 <p>Insert Arrangement 12-2, 13-2, 15-2 2 #12 Contacts</p>	 <p>Pin Connector</p>	 <p>Socket Connector</p>

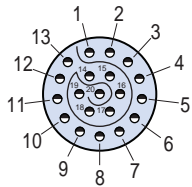
Dimensions in inches (millimeters) and are subject to change without notice.

Component Mounting Side of PCB

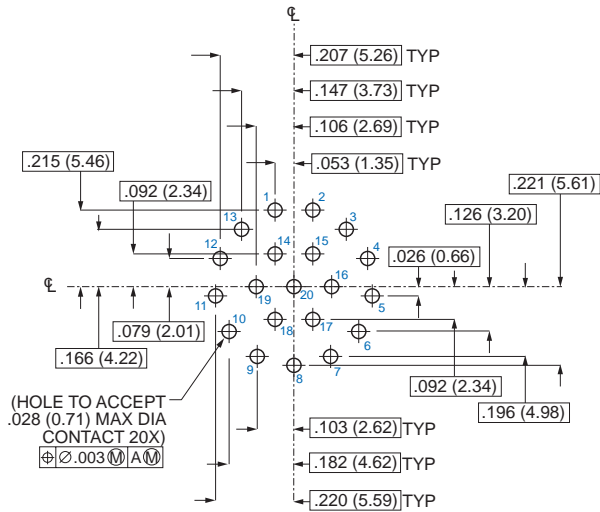
 <p>Insert Arrangement 12-3, 13-3, 15-3 3 #12 Contacts</p>	 <p>Pin Connector</p>	 <p>Socket Connector</p>
 <p>Insert Arrangement 12-7, 13-7, 15-7 7 #16 Contacts</p>	 <p>Pin Connector</p>	 <p>Socket Connector</p>
 <p>Insert Arrangement 12-200, 13-200, 15-200 2 #12 Contacts 6 #23 Contacts</p>	 <p>Pin Connector</p>	 <p>Socket Connector</p>

Dimensions in inches (millimeters) and are subject to change without notice.

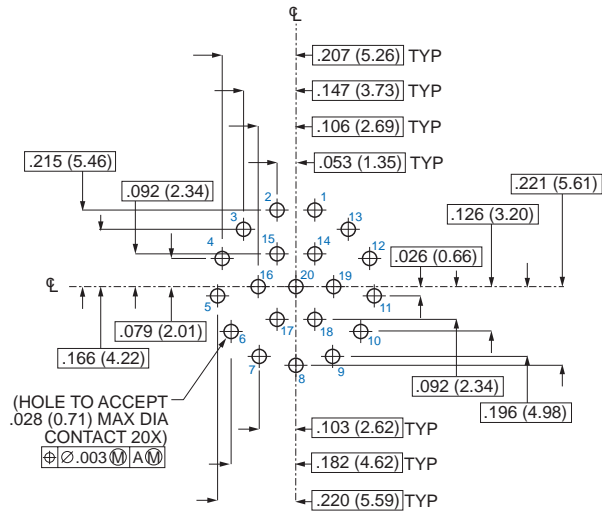
Component Mounting Side of PCB



Insert Arrangement
12-220, 13-220, 15-220
20 #20HD Contacts



Pin Connector



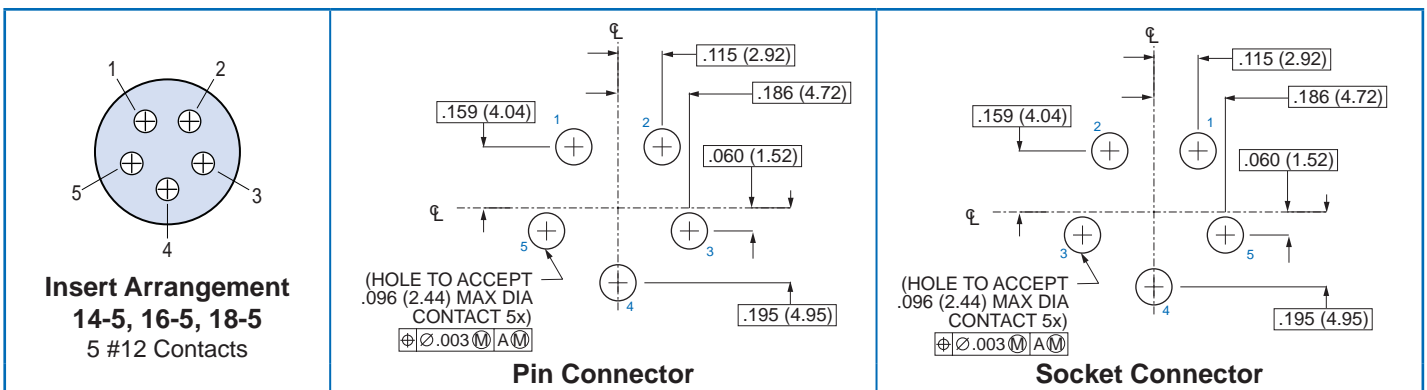
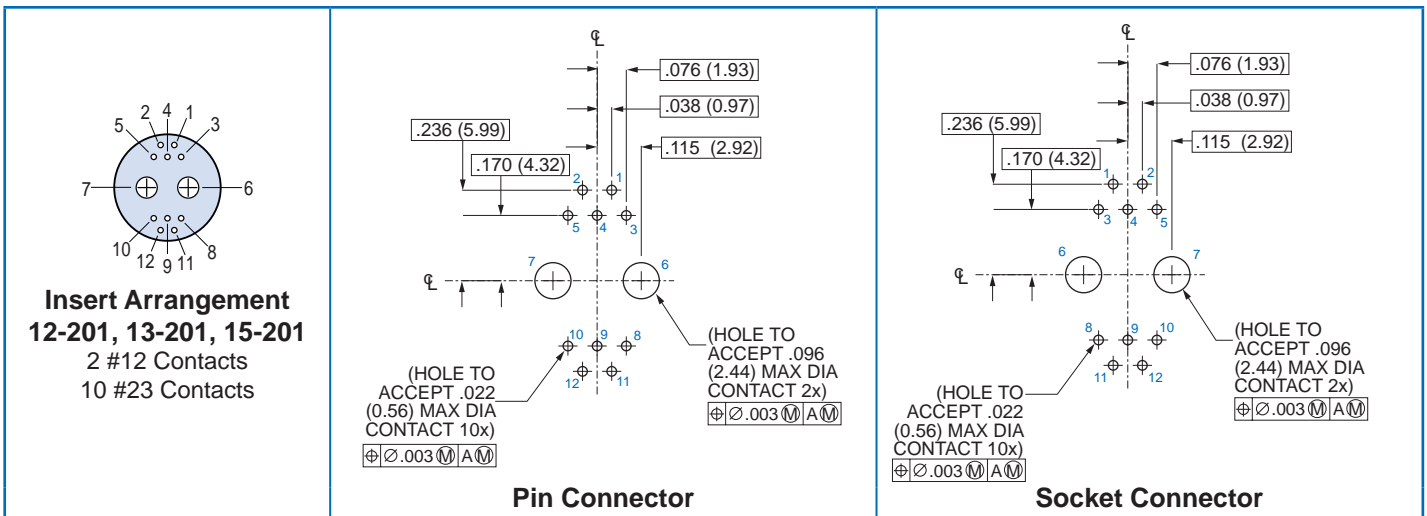
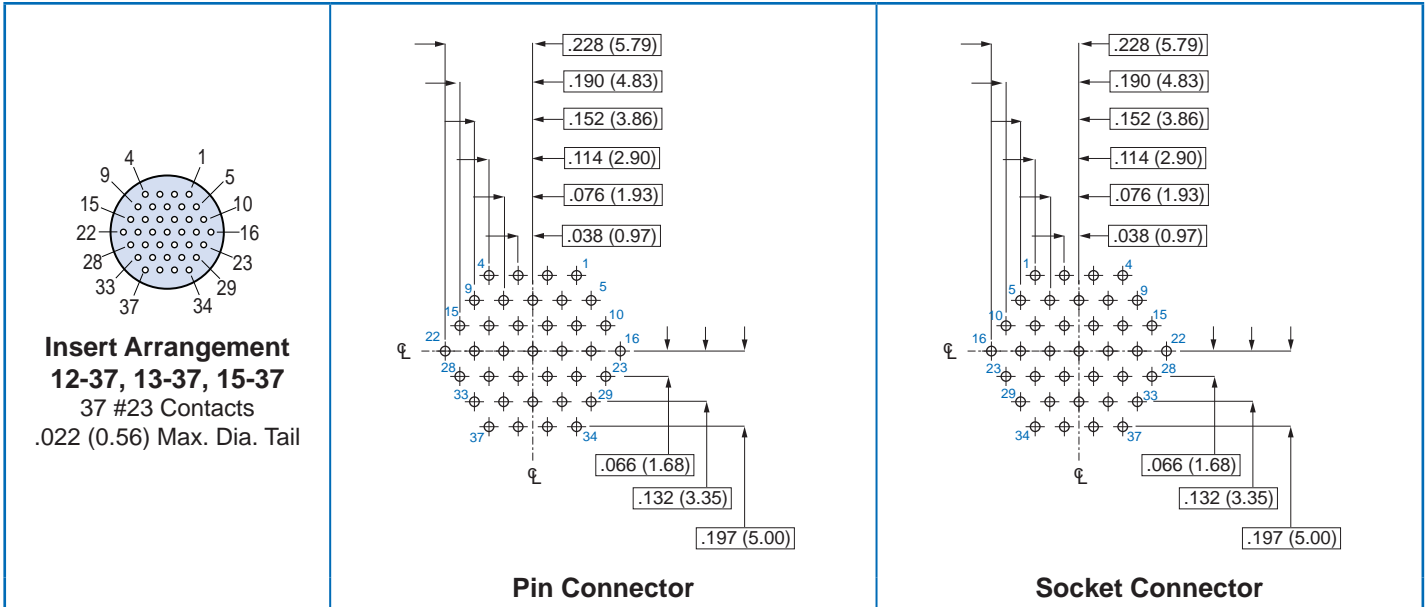
Socket Connector

Dimensions in inches (millimeters) and are subject to change without notice.

Series 80 Mighty Mouse Technical Reference Straight PCB Footprints

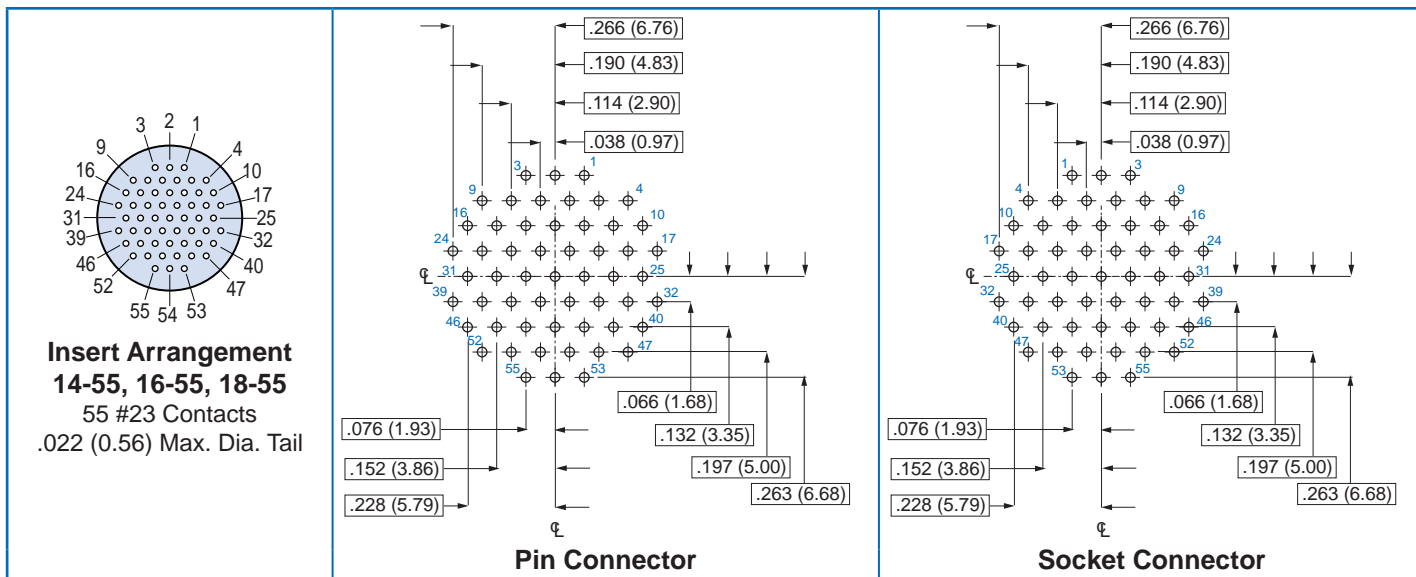
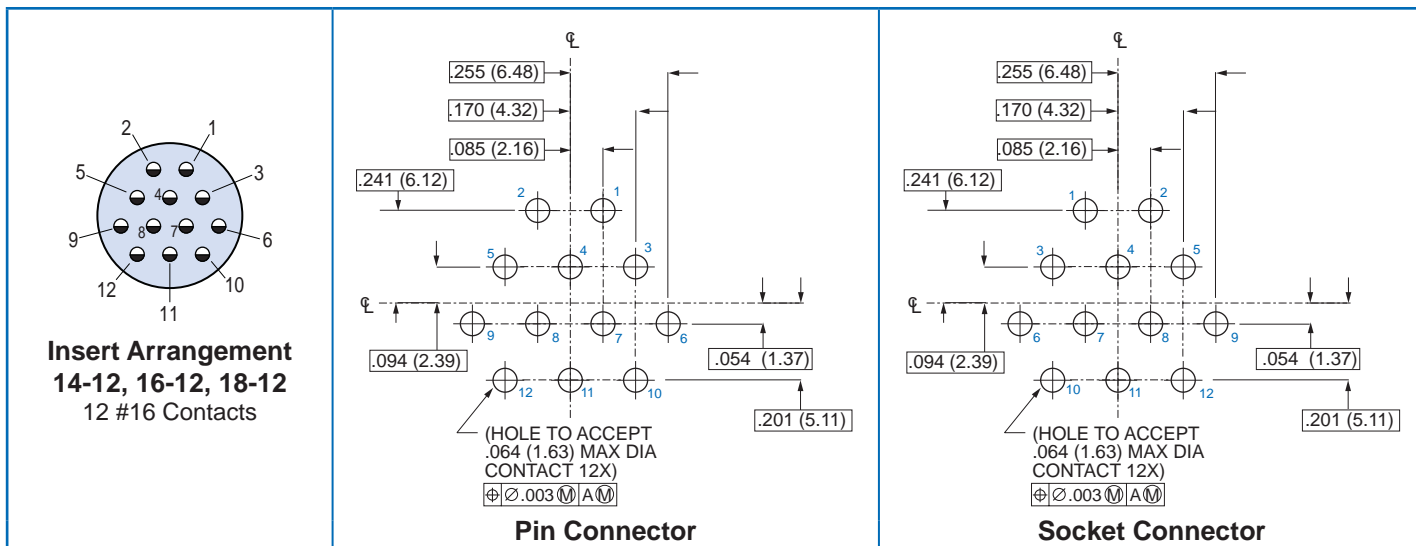


Component Mounting Side of PCB



Dimensions in inches (millimeters) and are subject to change without notice.

Component Mounting Side of PCB

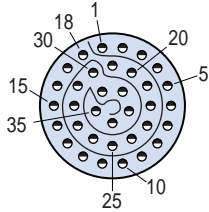


Dimensions in inches (millimeters) and are subject to change without notice.

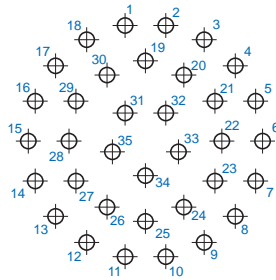
Series 80 Mighty Mouse Technical Reference Straight PCB Footprints



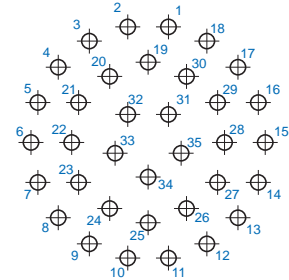
Component Mounting Side of PCB



Insert Arrangement
14-235, 16-235, 18-235
35 #20HD Contacts
.028 (0.71) Max. Dia. Tail

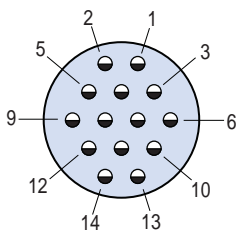


Pin Connector

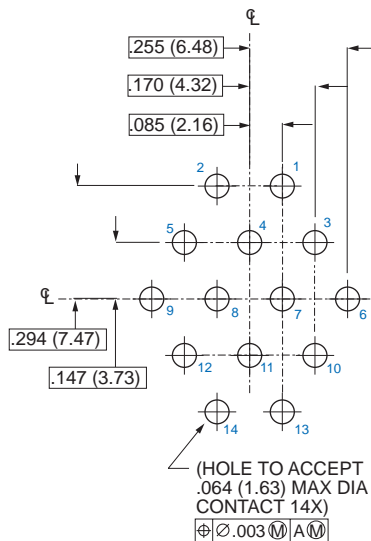


Socket Connector

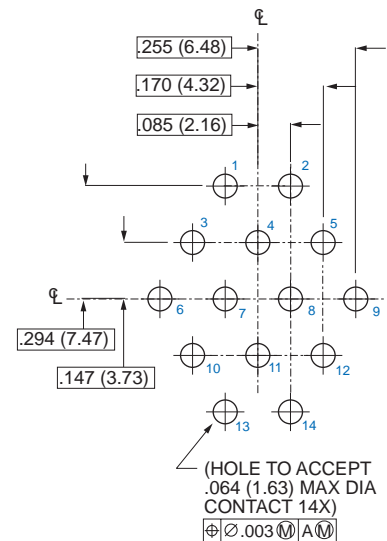
Pin No.	X		Y		Pin No.	X		Y		Pin No.	X		Y	
	In.	mm.	In.	mm.		In.	mm.	In.	mm.		In.	mm.	In.	mm.
1	-.053	-1.35	.301	7.65	13	-.234	-5.94	-.196	-4.98	25	.000	0.00	-.209	-5.31
2	.053	1.35	.301	7.65	14	-.287	-7.29	-.104	-2.64	26	-.100	-2.54	-.172	-4.37
3	.153	3.89	.264	6.71	15	-.305	-7.75	.000	0.00	27	-.181	-4.60	-.104	-2.64
4	.234	5.94	.196	4.98	16	-.287	7.29	.104	2.64	28	-.199	-5.05	.000	0.00
5	.287	7.29	.104	2.64	17	-.234	-5.94	.196	4.98	29	-.181	-4.60	.104	2.64
6	.305	7.75	.000	0.00	18	-.153	-3.89	.264	6.71	30	-.100	-2.54	.172	4.37
7	.287	7.29	-.104	-2.64	19	.000	0.00	.209	5.31	31	-.053	-1.35	.073	1.85
8	.234	5.94	-.196	-4.98	20	.100	2.54	.172	4.37	32	.053	1.35	.073	1.85
9	.153	3.89	-.264	-6.71	21	.181	4.60	.104	2.64	33	.086	2.18	-.028	-0.71
10	.053	1.35	-.301	-7.65	22	.199	5.05	.000	0.00	34	.000	0.00	-.090	-2.29
11	-.053	-1.35	-.301	-7.65	23	.181	4.60	-.104	-2.64	35	-.086	-2.18	-.028	-0.71
12	-.153	-3.89	-.264	-6.71	24	.100	2.54	-.172	-4.37					



Insert Arrangement
15-14, 17-14, 19-14
14 #16 Contacts

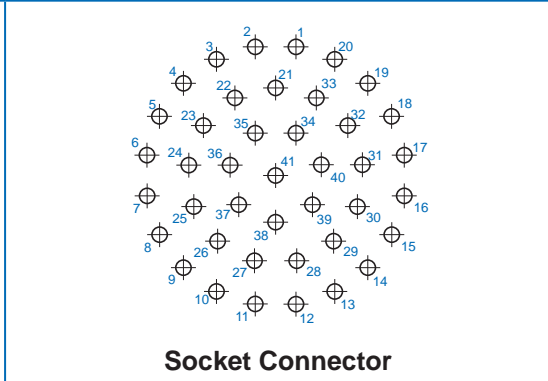
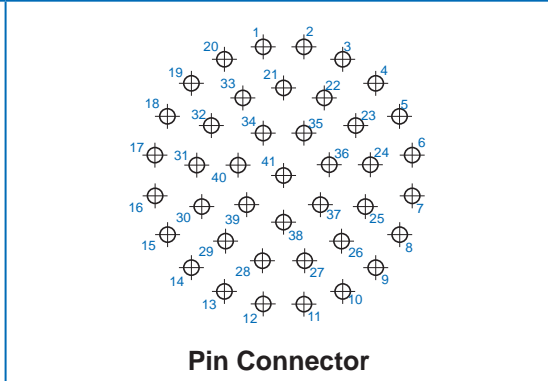
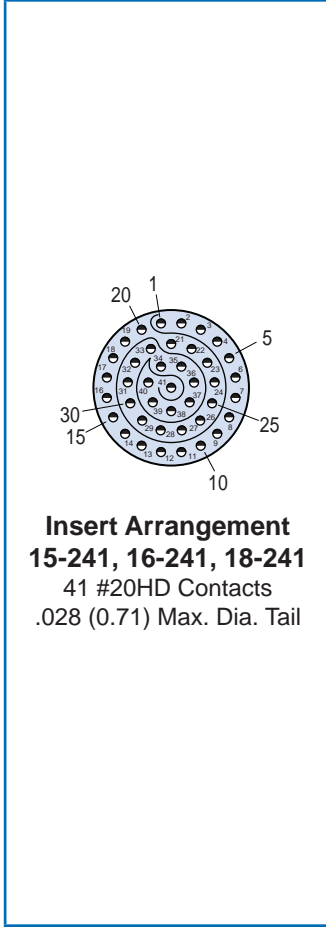
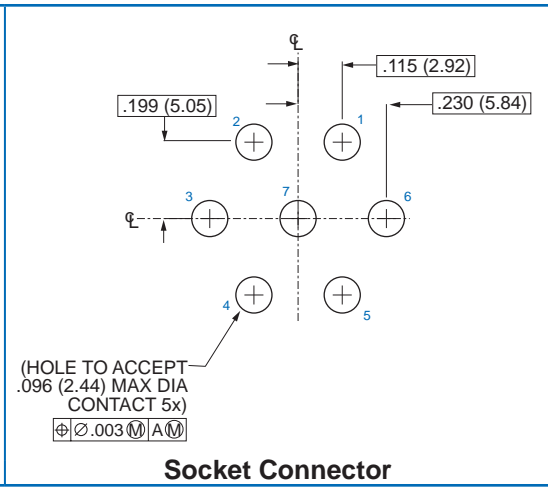
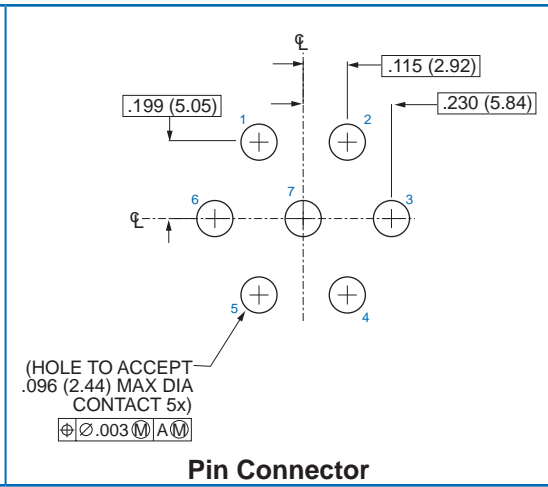
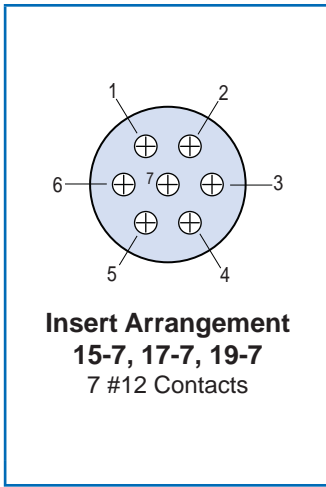


Pin Connector



Socket Connector

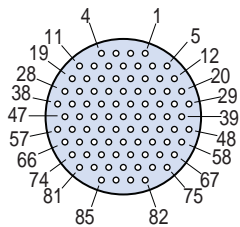
Dimensions in inches (millimeters) and are subject to change without notice.



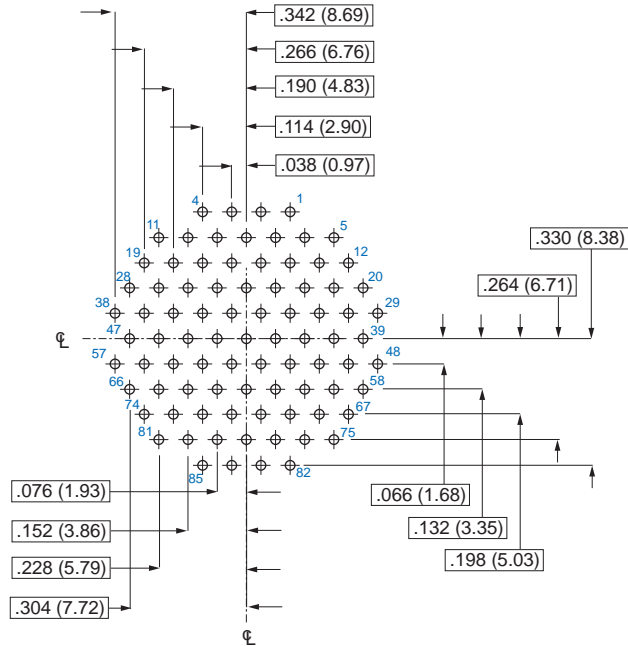
Pin No.	X		Y		Pin No.	X		Y		Pin No.	X		Y	
	In.	mm.	In.	mm.		In.	mm.	In.	mm.		In.	mm.	In.	mm.
1	-.053	-1.35	.335	8.51	15	-.302	-7.67	-.154	-3.91	29	-.151	-3.84	-.171	-4.34
2	.053	1.35	.335	8.51	16	-.335	-8.51	-.053	-1.35	30	-.213	-5.41	-.081	-2.06
3	.154	3.91	.302	7.67	17	-.335	-8.51	.053	1.35	31	-.226	-5.74	.028	0.71
4	.240	6.10	.240	6.10	18	-.302	-7.67	.154	3.91	32	-.188	-4.78	.130	3.30
5	.302	7.67	.154	3.91	19	-.240	-6.10	.240	6.10	33	-.106	-2.69	.202	5.13
6	.335	8.51	.053	1.35	20	-.154	-3.91	.302	7.67	34	-.053	-1.35	.110	2.79
7	.335	8.51	-.053	-1.35	21	.000	0.00	.228	5.79	35	.053	1.35	.110	2.79
8	.302	7.67	-.154	-3.91	22	.106	2.69	.202	5.13	36	.119	3.02	.027	0.69
9	.240	6.10	-.240	-6.10	23	.188	4.78	.130	3.30	37	.096	2.44	-.076	-1.93
10	.154	3.91	-.302	-7.67	24	.226	5.74	.028	0.71	38	.000	0.00	-.122	-3.10
11	.053	1.35	-.335	-8.51	25	.213	5.41	-.081	-2.06	39	-.096	-2.44	-.076	-1.93
12	-.053	-1.35	-.335	-8.51	26	.151	3.84	-.171	-4.34	40	-.119	-3.02	.027	0.69
13	-.154	-3.91	-.302	-7.67	27	.055	1.40	-.222	-5.64	41	.000	0.00	.000	0.00
14	-.240	-6.10	-.240	-6.10	28	-.055	-1.40	-.222	-5.64					

Dimensions in inches (millimeters) and are subject to change without notice.

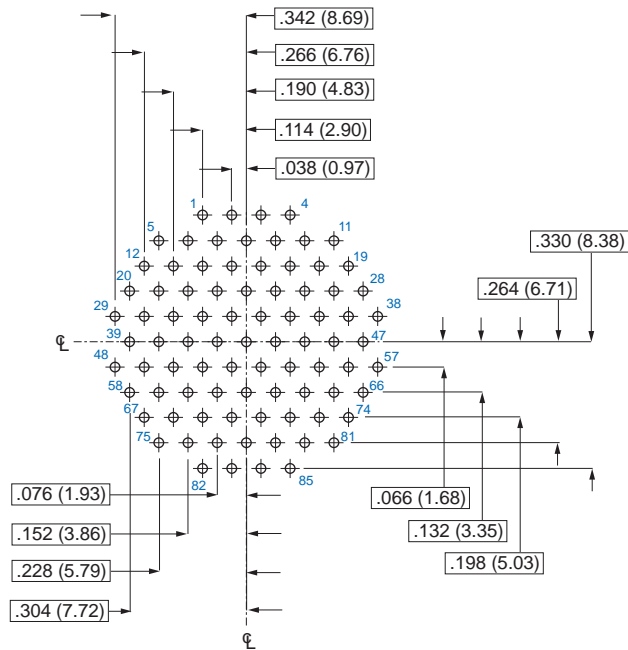
Component Mounting Side of PCB



Insert Arrangement
15-85, 17-85, 19-85
85 #23 Contacts
.022 (0.56) Max. Dia. Tail



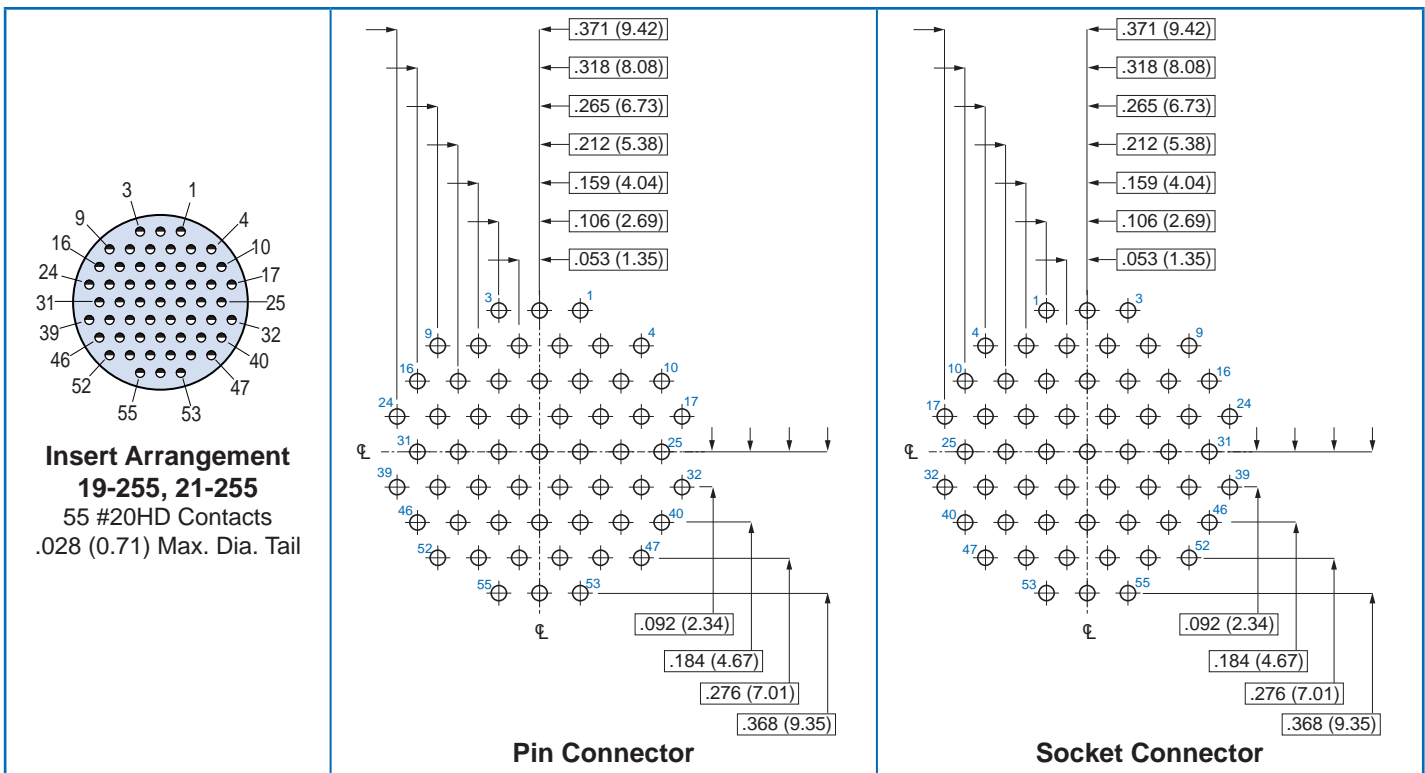
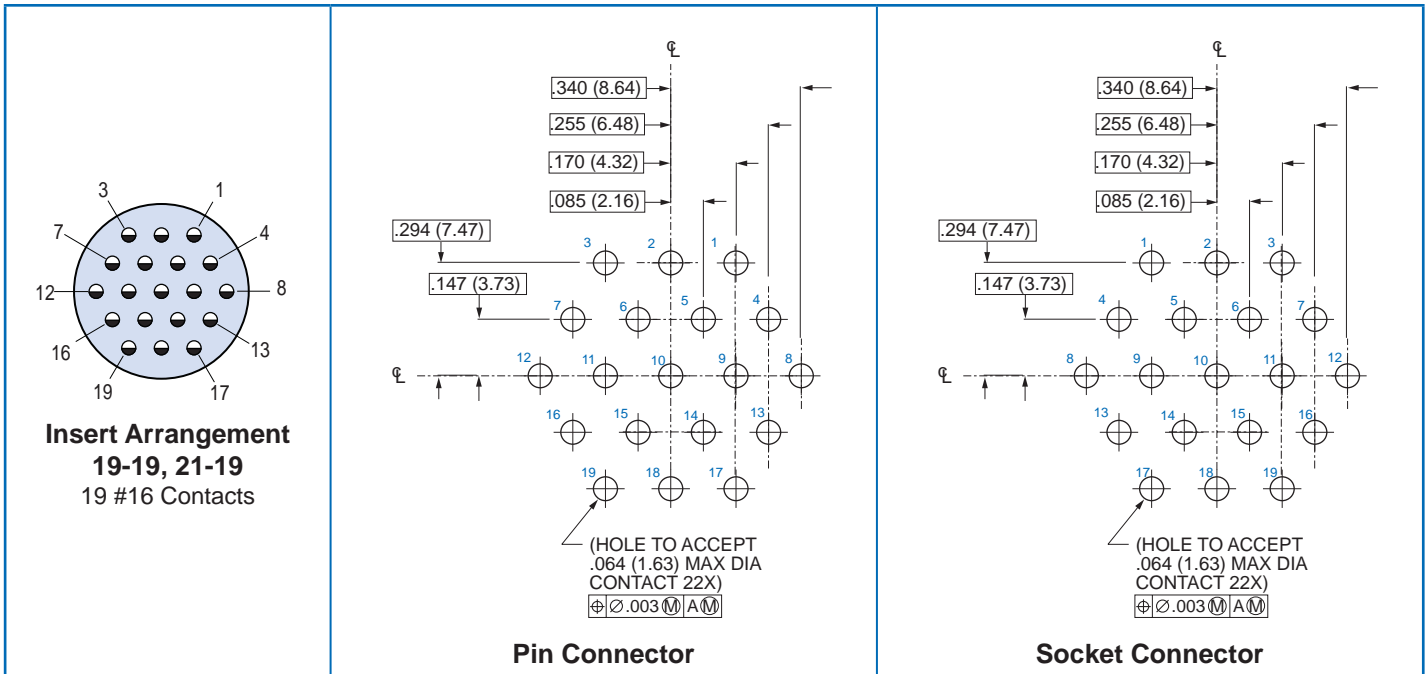
Pin Connector



Socket Connector

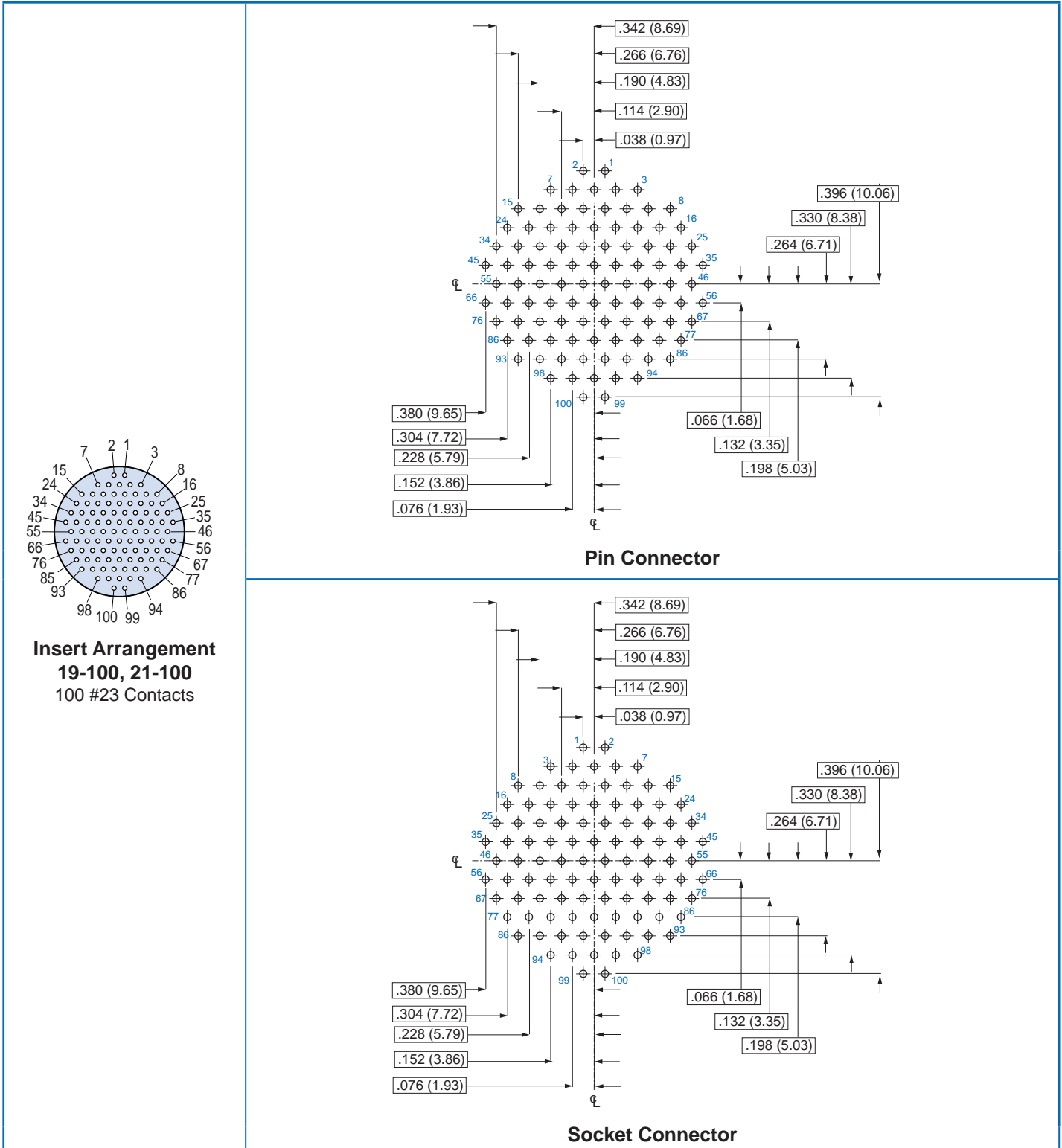
Dimensions in inches (millimeters) and are subject to change without notice.

Component Mounting Side of PCB



Dimensions in inches (millimeters) and are subject to change without notice.

Component Mounting Side of PCB



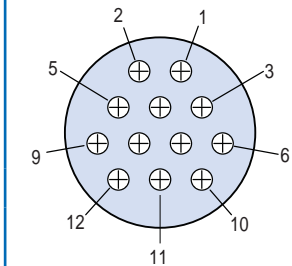
Insert Arrangement
19-100, 21-100
100 #23 Contacts

Dimensions in inches (millimeters) and are subject to change without notice.

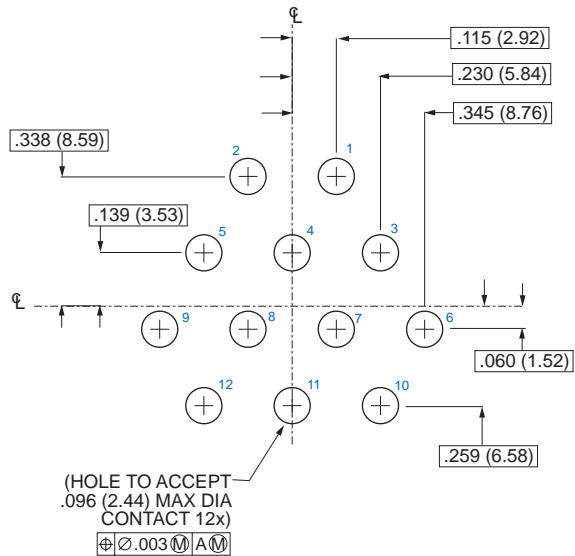
CAGE Code 06324

Printed in U.S.A.

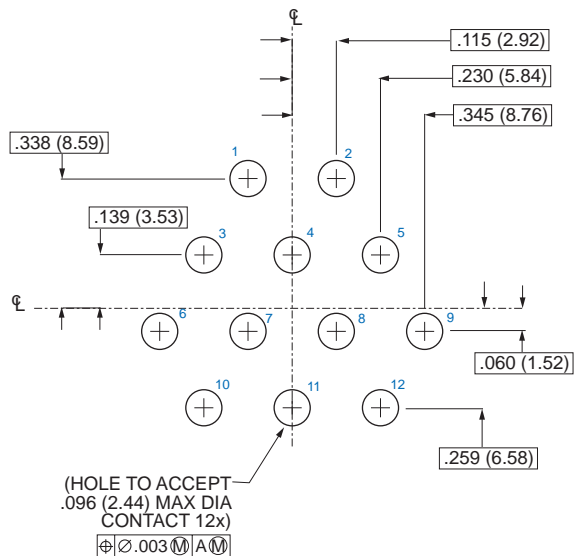
Component Mounting Side of PCB



Insert Arrangement
21-12, 23-12
12 #12 Contacts



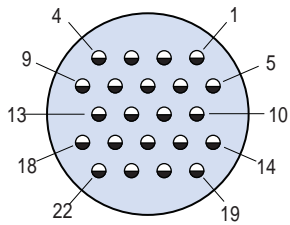
Pin Connector



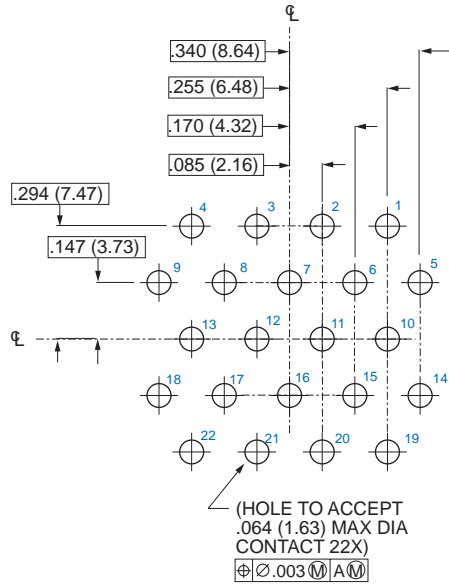
Socket Connector

Dimensions in inches (millimeters) and are subject to change without notice.

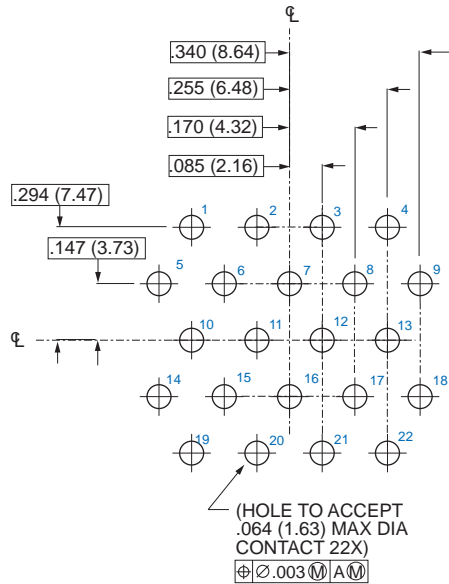
Component Mounting Side of PCB



Insert Arrangement
21-22, 23-22
22 #16 Contacts



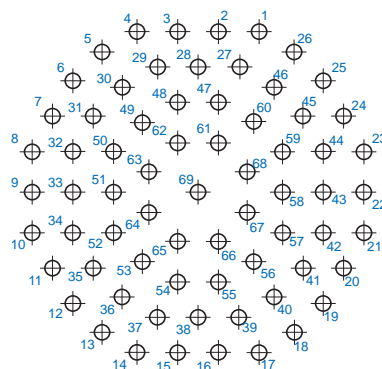
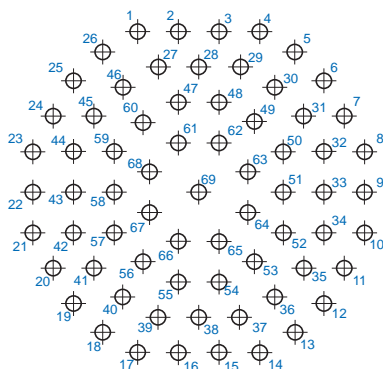
Pin Connector



Socket Connector

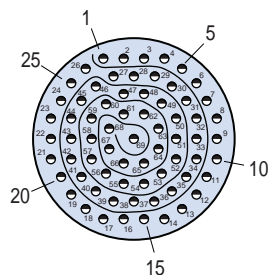
Dimensions in inches (millimeters) and are subject to change without notice.

Component Mounting Side of PCB



Pin Connector

Socket Connector

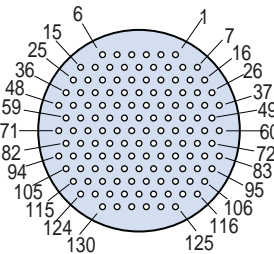
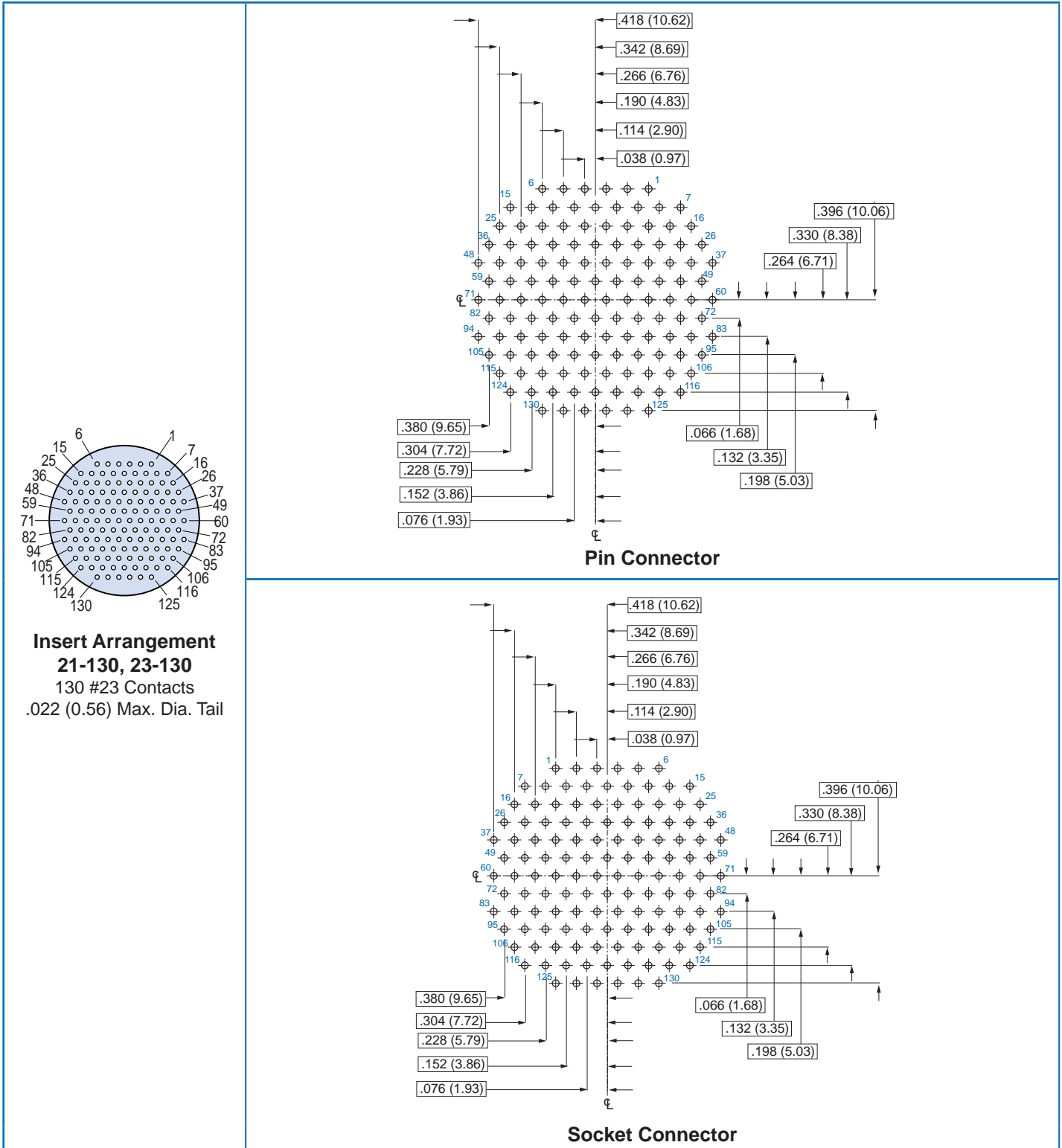


Insert Arrangement
21-269, 23-269
69 #20HD Contacts
.028 (0.71) Max. Dia. Tail

Pin No.	X		Y		Pin No.	X		Y		Pin No.	X		Y	
	In.	mm.	In.	mm.		In.	mm.	In.	mm.		In.	mm.	In.	mm.
1	-.159	-4.04	.418	10.62	24	-.379	-9.63	.198	5.03	47	-.053	-1.35	.234	5.94
2	-.053	-1.35	.418	10.62	25	-.326	-8.28	.290	7.37	48	.053	1.35	.234	5.94
3	.053	1.35	.418	10.62	26	-.251	-6.38	.365	9.27	49	.145	3.68	.181	4.60
4	.159	4.04	.418	10.62	27	-.106	-2.69	.326	8.28	50	.220	5.59	.106	2.69
5	.251	6.38	.365	9.27	28	.000	0.00	.326	8.28	51	.220	5.59	.000	0.00
6	.326	8.28	.290	7.37	29	.106	-2.69	.326	8.28	52	.220	5.59	-.106	-2.69
7	.379	9.63	.198	5.03	30	.198	5.03	.273	6.93	53	.145	3.68	-.181	-4.60
8	.432	10.97	.106	2.69	31	.273	6.93	.198	5.03	54	.053	1.35	-.234	-5.94
9	.432	10.97	.000	0.00	32	.326	8.28	.106	2.69	55	-.053	-1.35	-.234	-5.94
10	.432	10.97	-.106	-2.69	33	.326	8.28	.000	0.00	56	-.145	-3.68	-.181	-4.60
11	.379	9.63	-.198	-5.03	34	.326	8.28	-.106	-2.69	57	-.220	-5.59	-.106	-2.69
12	.326	8.28	-.290	-7.37	35	.273	6.93	-.198	-5.03	58	.220	-5.59	.000	0.00
13	.251	6.38	-.365	-9.27	36	.198	5.03	-.273	-6.93	59	-.220	-5.59	.106	2.69
14	.159	4.04	-.418	-10.62	37	.106	2.69	-.326	-8.28	60	-.145	-3.68	.181	4.60
15	.053	1.35	-.418	-10.62	38	.000	0.00	-.326	-8.28	61	-.053	-1.35	.128	3.25
16	-.053	-1.35	-.418	-10.62	39	-.106	-2.69	-.326	-8.28	62	.053	1.35	.128	3.25
17	-.159	-4.04	-.418	-10.62	40	-.198	-5.03	-.273	-6.93	63	.128	3.25	.053	1.35
18	-.251	-6.38	-.365	-9.27	41	-.273	-6.93	-.198	-5.03	64	.128	3.25	-.053	-1.35
19	-.326	-8.28	-.290	-7.37	42	-.326	-8.28	-.106	-2.69	65	.053	1.35	-.128	-3.25
20	-.379	-9.63	-.198	-5.03	43	-.326	-8.28	.000	0.00	66	-.053	-1.35	-.128	-3.25
21	-.432	-10.97	-.106	-2.69	44	-.326	-8.28	.106	2.69	67	-.128	-3.25	-.053	-1.35
22	-.432	-10.97	.000	0.00	45	-.273	-6.93	.198	5.03	68	-.128	-3.25	.053	1.35
23	-.432	-10.97	.106	2.69	46	-.198	-5.03	.273	6.93	69	.000	0.00	.000	0.00

Dimensions in inches (millimeters) and are subject to change without notice.

Component Mounting Side of PCB



Insert Arrangement
21-130, 23-130
130 #23 Contacts
.022 (0.56) Max. Dia. Tail

Dimensions in inches (millimeters) and are subject to change without notice.

CAGE Code 06324

Printed in U.S.A.

Series 80 Mighty Mouse Technical Reference Recommended Torque Values



SERIES 800 RECOMMENDED TORQUE VALUES												
Shell Size Series 800	Coupling Torque				Jam Nut Tightening				Backshell Tightening			
	In-Lbs.		N-m		In-Lbs.		N-m		In-Lbs.		N-m	
	Min.	Max.	Min.	Max.	Min.	Max.	Min.	Max.	Min.	Max.	Min.	Max.
5	13	17	1.5	1.9	20	25	2.2	2.8	13	17	1.5	1.9
6	18	22	2.0	2.5	20	25	2.2	2.8	18	22	2.0	2.5
7	20	25	2.3	2.8	20	25	2.2	2.8	30	40	3.4	4.5
8	30	40	3.4	4.5	20	25	2.2	2.8	30	40	3.4	4.5
9	30	40	3.4	4.5	25	30	2.8	3.3	35	45	4.0	5.1
10	35	45	4.0	5.1	25	30	2.8	3.3	35	45	4.0	5.1
12	35	45	4.0	5.1	25	30	2.8	3.3	35	45	4.0	5.1

SERIES 801, 802, 803, 804, 805 RECOMMENDED TORQUE VALUES													
Shell Size Series 801, 802, 803, 804	Shell Size Series 805	Coupling Torque				Jam Nut Tightening				Backshell Tightening			
		In-Lbs.		N-m		In-Lbs.		N-m		In-Lbs.		N-m	
		Min.	Max.	Min.	Max.	Min.	Max.	Min.	Max.	Min.	Max.	Min.	Max.
5	-	25	35	2.8	4.0	20	25	2.2	2.8	13	17	1.5	1.9
6	8	35	40	4.0	4.5	20	25	2.2	2.8	18	22	2.0	2.5
7	9	35	40	4.0	4.5	20	25	2.2	2.8	30	40	3.4	4.5
8	10	40	50	4.5	5.7	20	25	2.2	2.8	30	40	3.4	4.5
9	11	40	50	4.5	5.7	20	25	2.2	2.8	35	45	4.0	5.1
10	12	50	60	5.7	6.8	25	30	2.8	3.3	35	45	4.0	5.1
12, 13	15	50	60	5.7	6.8	25	30	2.8	3.3	35	45	4.0	5.1
14, 16	18	55	65	6.2	7.3	25	30	2.8	3.3	35	45	4.0	5.1
15, 17	19	55	65	6.2	7.3	25	30	2.8	3.3	35	45	4.0	5.1
21	23	55	65	6.2	7.3	25	30	2.8	3.3	35	45	4.0	5.1

Dimensions in inches (millimeters) and are subject to change without notice.



Series 80 Mighty Mouse Technical Reference Product Specification Summary Performance Specs, Materials and Finishes

PERFORMANCE SPECIFICATIONS

Current Rating (Maximum)	Size #23 Contact: 5 A. Size #20 contact: 7.5 A. Size #16 contact: 13 A. Size #12 contact: 23 A.
Test Voltage (Dielectric Withstanding Voltage) Mated Connectors	Size #23 contacts: 500 VAC RMS sea level, 100 VAC RMS 70,000 feet Size #20 contacts: 1800 VAC RMS sea level, 325 VAC RMS 70,000 feet Size #20HD contacts: 750 VAC RMS sea level, 150 VAC RMS 70,000 feet Size #16 contacts: 1800 VAC RMS sea level, 1000 VAC RMS 70,000 feet Size #12 contacts: 1800 VAC RMS sea level, 1000 VAC RMS 70,000 feet
Insulation Resistance	5000 megohms minimum
Contact Resistance	Size #23 Contact: 73 millivolt drop at 5 A. test current Size #20 contact: 55 millivolt drop at 7.5 A. test current Size #16 contact: 49 millivolt drop at 13 A. test current Size #12 contact: 42 millivolt drop at 23 A. test current
Operating Temperature	-55° C. to +150° C.
Immersion, Mated	1 meter water immersion for 1 hour (Series 803 splashproof only)
Shock	300 g
Vibration	37 g
Magnetic Permeability	2.0 μ maximum
Please refer to the comprehensive Series 80 Product Specification for additional parameters and test methods. Filter and hermetic versions have performance specifications which differ from this information.	

MATERIALS AND FINISHES ⁽¹⁾

Aluminum Shell, Barrel, and Coupling Nut	Aluminum alloy 6061 T6
Stainless Steel Shell, Barrel Coupling and Jam Nut	Stainless steel per AMS-QQ-S-763
Front and Rear Insulators	Glass-filled liquid crystal polymer (LCP) in accordance with MIL-M-24519, Type GLCP-30F
Contact Retention Clip	Beryllium copper, heat-treated, unplated
Grommet, Peripheral Seal and Interfacial Seal	Blended elastomer, 30% silicone per ZZ-R-765, 70% fluorosilicone per MIL-R-25988
Hermetic Insert	Vitreous glass
Contacts	Copper alloy, 50 microinches gold plated per ASTM B488 Type II Code C Class 1.25 over nickel plate per QQ-N-290 Class 2, 50-100 microinches
Pin Contact, Hermetic	Nickel-iron alloy per ASTM F30 (Alloy 52), 50 microinches gold plated per ASTM B488 Type II Code C Class 1.25 over nickel plate per QQ-N-290 Class 2, 50-100 microinches
Socket Contact Hood	Stainless steel, passivated per AMS-QQ-P-35
Adhesives	Silicone and epoxy
Potting Compound, PCB and Solder Cup Versions	Environmental and Hermetic Connectors: High-strength epoxy, Hysol EE4215. Filter Connectors: Stycast 2850FT/Catalyst 11 thermally conductive epoxy encapsulant.
Filter Element	Multilayer Ceramic Planar Array, ferrite inductors

(1) Refer to Section E for Series 802 "Aqua Mouse" materials and finishes.

Dimensions in inches (millimeters) and are subject to change without notice.

Series 80 Mighty Mouse Technical Reference Complete Product Specification



DESCRIPTION	REQUIREMENT	PROCEDURE		
ELECTRICAL				
Contact resistance	SAE AS39029 Table V	EIA-364-06 IEC 60512-2-1 Test current in amperes. Voltage drop in millivolts. Silver-coated copper wire, +25°C.		
	Wire Size		Test Current	Max Voltage Drop
	12		23	42
	14		17	40
	16		13	49
	20		7.5	55
	22		5	73
	24		3	45
Low level contact resistance	Wire Size	Max. Milliohms	EIA-364-23 100 milliamperes maximum and 20 millivolts maximum open circuit voltage	
	16	5		
	20	9		
	22	15		
	24	20		
	26	31		
Insulation resistance	5000 megohms minimum	EIA-364-21 IEC-60512-3-1 500 volts DC ± 50 volts. Test between adjacent contacts and contacts to shell.		
	Dielectric withstanding voltage, sea level	No breakdown or flashover #23 contacts 500 volts #20HD contacts 750 volts #16 contacts 1800 volts #12 contacts 1800 volts	EIA-364-20 IEC-60512-4-1 AC rms 60 Hz. One minute dwell. Unmated or mated	
Dielectric withstanding voltage, 70,000 feet altitude	No breakdown or flashover	EIA-364-20 IEC-60512-4-1 AC rms 60 Hz. One minute dwell. mated condition		
	#23 contacts 100 volts			
	#20HD contacts 150 volts			
	#16 contacts 1000 volts			
	#12 contacts 1000 volts			
Current carrying capacity	Contact Size	Max Current	EIA-364-70 Method 1 IEC-60512-5 Test 9b	
	12	23		
	16	13		
	20	7.5		
	23	5		

Dimensions in inches (millimeters) and are subject to change without notice.

DESCRIPTION	REQUIREMENT	PROCEDURE																							
Shell-to-shell conductivity, Initial	<p>The maximum voltage drop across a mated pair shall not exceed the values shown.</p> <table border="1"> <thead> <tr> <th>Series</th> <th>Voltage Drop</th> </tr> </thead> <tbody> <tr> <td>800</td> <td>10</td> </tr> <tr> <td>801</td> <td>10</td> </tr> <tr> <td>802</td> <td>10</td> </tr> <tr> <td>803</td> <td>100</td> </tr> <tr> <td>804</td> <td>2</td> </tr> <tr> <td>805</td> <td>2</td> </tr> </tbody> </table>	Series	Voltage Drop	800	10	801	10	802	10	803	100	804	2	805	2	<p>EIA-364-83 IEC-60512-2-6</p> <p>Electroless nickel plated connectors.</p>									
Series	Voltage Drop																								
800	10																								
801	10																								
802	10																								
803	100																								
804	2																								
805	2																								
Shell-to-shell conductivity, after conditioning (48 hours salt spray)	<p>The maximum voltage drop across a mated pair shall not exceed the values shown.</p> <table border="1"> <thead> <tr> <th>Series</th> <th>Voltage Drop</th> </tr> </thead> <tbody> <tr> <td>800</td> <td>20</td> </tr> <tr> <td>801</td> <td>20</td> </tr> <tr> <td>802</td> <td>20</td> </tr> <tr> <td>803</td> <td>200</td> </tr> <tr> <td>804</td> <td>4</td> </tr> <tr> <td>805</td> <td>4</td> </tr> </tbody> </table>	Series	Voltage Drop	800	20	801	20	802	20	803	200	804	4	805	4	<p>EIA-364-83 IEC-60512-2-6</p> <p>Electroless nickel plated connectors.</p>									
Series	Voltage Drop																								
800	20																								
801	20																								
802	20																								
803	200																								
804	4																								
805	4																								
Shielding effectiveness, low frequency (100MHz-1000 MHz)	<table border="1"> <thead> <tr> <th rowspan="2">Frequency</th> <th colspan="2">dB Min. Attenuation</th> </tr> <tr> <th>Series 800, 801, 802, 804, 805</th> <th>Series 803</th> </tr> </thead> <tbody> <tr> <td>100 MHz</td> <td>75</td> <td>60</td> </tr> <tr> <td>200 MHz</td> <td>70</td> <td>55</td> </tr> <tr> <td>300 MHz</td> <td>65</td> <td>55</td> </tr> <tr> <td>400 MHz</td> <td>63</td> <td>50</td> </tr> <tr> <td>800 MHz</td> <td>58</td> <td>45</td> </tr> <tr> <td>1000 MHz</td> <td>55</td> <td>40</td> </tr> </tbody> </table>	Frequency	dB Min. Attenuation		Series 800, 801, 802, 804, 805	Series 803	100 MHz	75	60	200 MHz	70	55	300 MHz	65	55	400 MHz	63	50	800 MHz	58	45	1000 MHz	55	40	<p>MIL-DTL-38999 para. 4.5.28.1</p> <p>Electroless nickel plated connectors</p>
Frequency	dB Min. Attenuation																								
	Series 800, 801, 802, 804, 805	Series 803																							
100 MHz	75	60																							
200 MHz	70	55																							
300 MHz	65	55																							
400 MHz	63	50																							
800 MHz	58	45																							
1000 MHz	55	40																							
Shielding effectiveness, high frequency (1Ghz-10GHz)	<table border="1"> <thead> <tr> <th rowspan="2">Frequency</th> <th colspan="2">dB Min. Attenuation</th> </tr> <tr> <th>Series 800, 801, 802, 804</th> <th>Series 805</th> </tr> </thead> <tbody> <tr> <td>1 GHz</td> <td>55</td> <td>85</td> </tr> <tr> <td>3 GHz</td> <td>50</td> <td>69</td> </tr> <tr> <td>5 GHz</td> <td>45</td> <td>66</td> </tr> <tr> <td>19 GHz</td> <td>40</td> <td>65</td> </tr> </tbody> </table>	Frequency	dB Min. Attenuation		Series 800, 801, 802, 804	Series 805	1 GHz	55	85	3 GHz	50	69	5 GHz	45	66	19 GHz	40	65	<p>EIA-364-66 IEC-60512-23-3</p> <p>Electroless nickel plated connectors</p>						
Frequency	dB Min. Attenuation																								
	Series 800, 801, 802, 804	Series 805																							
1 GHz	55	85																							
3 GHz	50	69																							
5 GHz	45	66																							
19 GHz	40	65																							

Dimensions in inches (millimeters) and are subject to change without notice.

Series 80 Mighty Mouse Technical Reference Complete Product Specification



DESCRIPTION	REQUIREMENT	PROCEDURE
MECHANICAL		
Vibration, sine	No discontinuity of greater than 1 microsecond, no cracking, breaking or loosening of parts, plug shall not become disengaged from receptacle. Connectors shall meet electrical requirements after vibration test.	MIL-STD-202 Method 204, test Condition G 30 g's, 3 axes, 4 hours per axis
Vibration, random	No discontinuity of greater than 1 microsecond, no cracking, breaking or loosening of parts, plug shall not become disengaged from receptacle. Connectors shall meet electrical requirements after vibration test.	EIA-364-28 Test Condition V Letter I IEC-60512-6-4 100 milliamp test current 50- 2,000 Hz 37.80 g rms
Gunfire vibration	No discontinuity of greater than 1 microsecond, no cracking, breaking or loosening of parts, plug shall not become disengaged from receptacle. Connectors shall meet electrical requirements after vibration test.	MIL-STD-810F Method 519.5
Mechanical shock	No discontinuity of greater than 1 microsecond, no cracking, breaking or loosening of parts, plug shall not become disengaged from receptacle. Connectors shall meet electrical requirements after shock test.	EIA-364-27 Condition D IEC-60512-6-3 3 shocks X 3 axes X 2 directions = 18 shocks 2941 m/s ² (300 g's), 3 ms, half-sine
Mechanical durability, at ambient temperature	No deterioration which will adversely affect the connector after 2000 cycles of mating and unmating. Connectors shall meet contact resistance, insulation resistance, shell-to-shell resistance, DWV, and mating and unmating force.	EIA-364-09 IEC-60512-5 Test 9a
Solderability, PC tail contacts	95% solder coverage. Smooth, bright and even finish.	EIA-364-52 Category 3 IEC-60512-12-1 IEC-68-2-20 Test Ta, method 1 8 hours steam aging prior to test 245° C, 4-5 sec. dwell 10X magnification
Resistance To Soldering Heat	No damage to connector. Connectors shall meet insulation resistance and waterproof sealing requirements.	EIA-364-56 IEC-60512-12-5 Test 12e 260° C, 10 seconds (PC tail)

Dimensions in inches (millimeters) and are subject to change without notice.

Series 80 Mighty Mouse Technical Reference Complete Product Specification

B

DESCRIPTION	REQUIREMENT	PROCEDURE																													
Impact	No impairment of function. Connector shall meet contact resistance, insulation resistance and waterproof sealing.	EIA-364-42 IEC-60512-5 test 7b 1 meter 8 drops																													
Contact retention	<table border="1"> <thead> <tr> <th>Contact Size</th> <th>Min. Pounds</th> <th>Min. Newtons</th> </tr> </thead> <tbody> <tr> <td>23</td> <td>6</td> <td>27</td> </tr> <tr> <td>20</td> <td>15</td> <td>67</td> </tr> <tr> <td>20HD</td> <td>9</td> <td>40</td> </tr> <tr> <td>16</td> <td>25</td> <td>111</td> </tr> <tr> <td>12</td> <td>25</td> <td>111</td> </tr> </tbody> </table>	Contact Size	Min. Pounds	Min. Newtons	23	6	27	20	15	67	20HD	9	40	16	25	111	12	25	111	EIA-364-29											
Contact Size	Min. Pounds	Min. Newtons																													
23	6	27																													
20	15	67																													
20HD	9	40																													
16	25	111																													
12	25	111																													
Contact separation force	<table border="1"> <thead> <tr> <th>Contact Size</th> <th>Min. Ounces</th> <th>Min. Newtons</th> </tr> </thead> <tbody> <tr> <td>23</td> <td>0.5</td> <td>0.14</td> </tr> <tr> <td>20</td> <td>0.7</td> <td>0.19</td> </tr> <tr> <td>16</td> <td>2.0</td> <td>0.56</td> </tr> <tr> <td>12</td> <td>3.0</td> <td>0.83</td> </tr> </tbody> </table>	Contact Size	Min. Ounces	Min. Newtons	23	0.5	0.14	20	0.7	0.19	16	2.0	0.56	12	3.0	0.83	SAE AS39029														
Contact Size	Min. Ounces	Min. Newtons																													
23	0.5	0.14																													
20	0.7	0.19																													
16	2.0	0.56																													
12	3.0	0.83																													
Coupling torque	<p>Threaded coupling connector coupling torque shall not exceed the following requirements.</p> <table border="1"> <thead> <tr> <th colspan="2">Shell Size</th> <th rowspan="2">Inch Pound</th> </tr> <tr> <th>Series 800, 801</th> <th>Series 805</th> </tr> </thead> <tbody> <tr> <td>5, 6, 7</td> <td>8, 9</td> <td>8</td> </tr> <tr> <td>8,9</td> <td>10, 11</td> <td>9</td> </tr> <tr> <td>10</td> <td>12</td> <td>12</td> </tr> <tr> <td>12, 13</td> <td>15</td> <td>16</td> </tr> <tr> <td>14, 15,</td> <td>18</td> <td>28</td> </tr> <tr> <td>16, 17</td> <td>19</td> <td>24</td> </tr> <tr> <td>21</td> <td></td> <td>32</td> </tr> <tr> <td></td> <td>23</td> <td>36</td> </tr> </tbody> </table>	Shell Size		Inch Pound	Series 800, 801	Series 805	5, 6, 7	8, 9	8	8,9	10, 11	9	10	12	12	12, 13	15	16	14, 15,	18	28	16, 17	19	24	21		32		23	36	
Shell Size		Inch Pound																													
Series 800, 801	Series 805																														
5, 6, 7	8, 9	8																													
8,9	10, 11	9																													
10	12	12																													
12, 13	15	16																													
14, 15,	18	28																													
16, 17	19	24																													
21		32																													
	23	36																													
Unmating force (Series 804)	<p>Series 804 quick-disconnect connectors</p> <table border="1"> <thead> <tr> <th>Contact Arrangement</th> <th>Inch Pound</th> </tr> </thead> <tbody> <tr> <td>5-3</td> <td>10.6</td> </tr> <tr> <td>6-4</td> <td>10.8</td> </tr> <tr> <td>6-7</td> <td>11.4</td> </tr> <tr> <td>7-10</td> <td>12.0</td> </tr> <tr> <td>8-13</td> <td>12.6</td> </tr> <tr> <td>9-19</td> <td>13.8</td> </tr> <tr> <td>10-26</td> <td>15.2</td> </tr> <tr> <td>12-37</td> <td>17.4</td> </tr> <tr> <td>14-55</td> <td>21.0</td> </tr> </tbody> </table>	Contact Arrangement	Inch Pound	5-3	10.6	6-4	10.8	6-7	11.4	7-10	12.0	8-13	12.6	9-19	13.8	10-26	15.2	12-37	17.4	14-55	21.0										
Contact Arrangement	Inch Pound																														
5-3	10.6																														
6-4	10.8																														
6-7	11.4																														
7-10	12.0																														
8-13	12.6																														
9-19	13.8																														
10-26	15.2																														
12-37	17.4																														
14-55	21.0																														

Dimensions in inches (millimeters) and are subject to change without notice.

Series 80 Mighty Mouse Technical Reference Complete Product Specification



DESCRIPTION	REQUIREMENT	PROCEDURE																																															
Insert retention	<p>Unmated connectors shall retain their inserts in their proper location in the shell and there shall be no evidence of cracking, breaking, separation from the shell, or loosening of parts.</p> <table border="1"> <thead> <tr> <th colspan="3">Shell Size</th> <th rowspan="2">Min. Force in Pounds</th> </tr> <tr> <th>Ser. 800, 803, 804</th> <th>Ser. 801</th> <th>Ser. 805</th> </tr> </thead> <tbody> <tr><td>5</td><td>5</td><td></td><td>25</td></tr> <tr><td>6</td><td>6</td><td>8</td><td>25</td></tr> <tr><td>7</td><td>7</td><td>9</td><td>25</td></tr> <tr><td>8</td><td>8</td><td>10</td><td>25</td></tr> <tr><td>9</td><td>9</td><td>11</td><td>25</td></tr> <tr><td>10</td><td>10</td><td>12</td><td>25</td></tr> <tr><td>12</td><td>13</td><td>15</td><td>25</td></tr> <tr><td>14</td><td>16</td><td>18</td><td>40</td></tr> <tr><td>15</td><td>17</td><td>19</td><td>50</td></tr> <tr><td></td><td>21</td><td>23</td><td>80</td></tr> </tbody> </table>	Shell Size			Min. Force in Pounds	Ser. 800, 803, 804	Ser. 801	Ser. 805	5	5		25	6	6	8	25	7	7	9	25	8	8	10	25	9	9	11	25	10	10	12	25	12	13	15	25	14	16	18	40	15	17	19	50		21	23	80	EIA-365-35
Shell Size			Min. Force in Pounds																																														
Ser. 800, 803, 804	Ser. 801	Ser. 805																																															
5	5		25																																														
6	6	8	25																																														
7	7	9	25																																														
8	8	10	25																																														
9	9	11	25																																														
10	10	12	25																																														
12	13	15	25																																														
14	16	18	40																																														
15	17	19	50																																														
	21	23	80																																														
Residual magnetism	2 μ maximum.	EIA-364-54																																															
ENVIRONMENTAL																																																	
Operating temperature	-65° to +150°C																																																
Water immersion, mated	No evidence of water penetration into mated connectors. ≥ 100 M Ω insulation resistance.	MIL-STD-810F Method 512.4 1 meter immersion 1 hour																																															
Water immersion, open face panel mount receptacles with non-removable printed circuit board or solder cup contacts	Connectors with waterblock potting process (Glenair Modification Code 518 required). 1 X 10 ⁻⁴ cc/second maximum helium leak rate at 1 atmosphere pressure differential following thermal shock conditioning.	EIA-365-02 3 cycles thermal shock -57°C to +71°C 75 min. dwell 5 minute transfer rate																																															
Humidity, cyclic (damp heat, cyclic) (moisture resistance)	No deterioration which will adversely affect the connector. 100 megohms minimum insulation resistance during the final cycle. Following the recovery period, connectors shall meet contact resistance, shell-to-shell resistance and DWV requirements.	EIA-364-31 Condition B Method III IEC-60512-11-12 80-98% RH 10 cycles (10 days) +25° C to +65° C Step 7b vibration deleted. 24 hour recovery period.																																															

Dimensions in inches (millimeters) and are subject to change without notice.



Series 80 Mighty Mouse Technical Reference Complete Product Specification

B

DESCRIPTION	REQUIREMENT	PROCEDURE
21 day humidity (damp heat, long term)	No deterioration which will adversely affect the connector. Following the drying period, connectors shall meet 100 megohms minimum, contact resistance, shell-to-shell resistance, DWV, mating and unmating requirements.	EIA-364-31 Condition C Method II IEC-60512-11-3 Severity C 90-95% RH 40° C Apply 100 volts DC during test. 4 hours drying time at ambient temperature prior to final measurements.
Thermal shock	No mechanical damage or loosening of parts. Following thermal shock, connector shall meet contact resistance, DWV, insulation resistance and shell-to-shell resistance requirements.	EIA-364-32 Test Condition IV IEC-60512-11-4 5 cycles consisting of -65° C 30 minutes, +25° C 5 minutes max., +150° C 30 minutes, +25° C 5 minutes max.
Corrosion (salt mist)	No exposure of base metal. Connectors shall meet DWV and contact resistance requirements following the test.	EIA-364-26 IEC 60512-11-6 5% salt solution 35° C Unmated connectors Code C: 48 hours Code M: 48hours Code MT: 500 hours Code NF: 500 hours Code ZN: 500 hours Code ZNU: 500 hours Code UCR: 500 hours
Sand and dust	Mated connectors shall withstand the effects of blowing sand and dust	MIL-STD-810F, Method 510.4
Fungus	Connector materials shall be fungus inert.	MIL-STD-810F, Method 508.5
Fluid immersion	No visible damage from immersion in various fuels and oils. Connector shall meet coupling torque and dielectric withstanding voltage requirements.	EIA-364-10 Unmated connectors
Altitude immersion	No evidence of moisture on connector interface or contacts. Connector shall meet dielectric withstanding voltage.	EIA-364-03 Wired crimp connectors with supplemental potting. Printed circuit board and solder cup connectors with standard factory-installed potting.
Outgassing	The entire connector assembly shall be capable of meeting a maximum Total Mass Loss (TML) of 1% and a Total Collected Volatile Material Loss (TCVML) of 0.1% following additional processing for outgassing control.	ASTM-E595

Dimensions in inches (millimeters) and are subject to change without notice.



Series 80 Connectors for Space Flight

The small size and reduced weight of the Series 80 connector make it an excellent choice for space instrumentation. Series 80 connectors are available with special screening and outgassing for satellites and space vehicles. This section explains NASA guideline for connector selection, screening and outgassing. This section also explains how to order connectors screened to meet NASA EEE-INST-002.

Five things you should know about Series 80 connectors for space flight

1 Material Selection: What materials are approved for space-grade connectors? What materials are prohibited? Does the Series 80 connector contain space-approved materials?

2 Outgassing: What is outgassing, why is it important, and how does it affect connector selection? Is special processing required to meet outgassing requirements?

3 Screening: What is NASA screening and what level of screening is required?

4 Magnetic permeability: Are nonmagnetic connectors required?

5 Cryogenic exposure: Are these connectors suitable for -200° C. exposure?

HOW TO ORDER SPACE GRADE SERIES 80 CONNECTORS

Step 1: Find a Standard Part Number

Electroless nickel plated shells are preferred for space flight. Cadmium plating is prohibited.

Step 2: Select a NASA Screening Level

The term "Screening Level" refers to the final inspection procedure.

Level 1 for mission-critical highest reliability

Level 2 for high reliability

Level 3 for standard reliability

Step 3: Choose Outgassing Processing

A detailed explanation of outgassing is on the following pages. The fluorosilicone rubber seals commonly used on aerospace-grade connectors such as MIL-DTL-38999 and Series 80 connectors, along with certain bonding agents and inks, do not meet NASA outgassing requirements unless the connector is specially processed. Glenair outgassing tests have shown oven baking or thermal vacuum outgassing processing are sufficient to reduce outgassing levels to NASA standards. Oven baking is more economical than thermal vacuum outgassing.

Step 4: Select the Mod 429 Code that Matches the Desired Level of Screening and Outgassing

Use the following table to choose the right modification code. Add the mod code to the connector part number. Example: 801-007-16M6-7PA-429C

NASA SCREENING LEVELS AND MODIFICATION CODES

NASA Screening Level	Special Screening Only	Special Screening Plus Outgassing Processing	
		8 Hour Oven Bake 400° F.	Thermal Vacuum Outgassing 24 hrs. 125° C.
Level 1 Highest Reliability	Mod 429B	Mod 429J	Mod 429C
Level 2 High Reliability	Mod 429	Mod 429K	Mod 429A
Level 3 Standard Reliability	(Use standard part number)	Mod 186	Mod 186M

Dimensions in inches (millimeters) and are subject to change without notice.

Series 80 Connectors for Space Flight

1 Material Selection: *What materials are approved for space flight? What materials are restricted? How to choose the right materials for Series 80 connectors.*

What materials are approved for space flight?

Section C2 "Connectors and Contacts" of NASA EEE-INST-002 provides guidelines for materials used in connectors for space flight applications. Aluminum is a preferred material for connector components, and electroless nickel is the preferred finish. Beryllium copper is a preferred material for contacts. 50 microinch minimum gold plating is the preferred contact finish. LCP is a preferred material for dielectric insulating materials.

What materials are prohibited?

100% tin plating shall not be used. Pure tin can grow "whiskers" which can lead to catastrophic electrical short circuits. Silver plating is prohibited because of corrosion concerns. Cadmium is prohibited because it is unstable in vacuum environments.

Specifying Series 80 connectors for space flight

Standard Series 80 connectors meet NASA guidelines for material selection. Specify "M" for aluminum shells with electroless nickel finish. The table below lists the Series 80 materials.

SERIES 80 CONNECTOR MATERIALS APPROVED FOR SPACE FLIGHT

Component	Material	Notes
Shells, Coupling Nuts, Jam Nuts	Aluminum alloy 6061 T6, electroless nickel plated	Approved for Space Flight
Rigid Insulators	Glass-filled liquid crystal polymer (LCP) in accordance with MIL-M-24519, Type GLCP-30F	Approved for Space Flight
Contact Retention Clip	Beryllium copper, heat-treated, unplated	Approved for Space Flight
Grommet, Peripheral Seal, Interfacial Seal, O-ring	Blended fluorosilicone/silicone elastomer, 30% silicone per ZZ-R-765, 70% fluorosilicone per MIL-R-25988	Requires outgassing processing
Hermetic Insert	Vitreous glass	Approved for Space Flight
Pin Contact	Beryllium copper alloy per ASTM B197, 50 microinches gold plated per ASTM B488 Type II Code C Class 1.25 over nickel plate per QQ-N-290 Class 2, 50-100 microinches	Approved for Space Flight
Pin Contact, Hermetic	Nickel-iron alloy per ASTM F30 (Alloy 52), 50 microinches gold plated per ASTM B488 Type II Code C Class 1.25 over nickel plate per QQ-N-290 Class 2, 50-100 microinches	Ferromagnetic material.
Socket Contact	Beryllium copper alloy per ASTM B197, 50 microinches gold plated per ASTM B488 Type II Code C Class 1.25 over nickel plate per QQ-N-290 Class 2, 50-100 microinches.	Approved for Space Flight
Socket Contact Hood	Stainless steel, passivated per AMS-QQ-P-35	Approved for Space Flight
Adhesives	RTV and epoxies (see following table for outgassing info)	Requires outgassing processing
Potting Compound, PCB and Solder Cup Versions	Environmental and Hermetic Connectors: Stycast 2651/Catalyst 9 epoxy encapsulant. Filter Connectors: Stycast 2850FT/Catalyst 11 thermally conductive epoxy encapsulant.	Approved for Space Flight
Filter Element	Multilayer Ceramic Planar Array, ferrite inductors	Approved for Space Flight

Dimensions in inches (millimeters) and are subject to change without notice.

2 **Outgassing: What is outgassing and how does it affect connector selection? Is special processing required to meet outgassing requirements?**

What is outgassing?

Plastic and rubber materials give off gaseous molecules. For example, the smell inside a new car is caused by polymer outgassing. Heat and vacuum increase the rate of diffusion. In a spacecraft the gases coming off polymers can contaminate optical surfaces and instruments. The result is degraded performance.

How is outgassing measured?

The space industry has adopted a standardized test procedure, *ASTM E 595*, to evaluate outgassing properties of polymers. Small samples of material are heated to 125°C. at a vacuum of 5×10^{-5} torr for 24 hours. Then the sample is weighed to calculate

the *Total Mass Loss* (TML). The TML cannot exceed 1.00% of the total initial mass. During the test, outgassed matter condenses on a cooled collector plate. The quantity of outgassed matter is calculated to determine the *Collected Volatile Condensable Material* (CVCM). The CVCM cannot exceed 0.10% of the original specimen mass.

Is special outgassing processing necessary on Series 80 connectors?

NASA states "A bakeout for outgassing control is driven by the application and may be required where tight contamination control must be maintained." NASA generally recommends that military circular connectors undergo outgassing processing. This processing can be performed by Glenair; however, some customers prefer to fabricate higher level subassemblies before outgassing processing.

Outgassing At-a-Glance

- 1 Fluorosilicone rubber components and encapsulants exceed NASA outgassing limits.
- 2 NASA recommends outgassing processing to reduce outgassing to acceptable levels.
- 3 An inexpensive oven bakeout has better results than the more costly thermal vacuum outgassing. The higher temperature of the oven bakeout is more effective at removing volatile materials. However, both methods assure compliance with outgassing limits.
- 4 Glenair Mod 429 codes provide an easy ordering solution, whatever the outgassing option.

OUTGASSING PROPERTIES OF MATERIALS USED IN SERIES 80 CONNECTORS

Component	Material	TML %	TCVML %	Test Reference
Front and Rear Insulator	Liquid Crystal Polymer Vectra C130	0.03	0.0	NASA Test # GSC17478
Rear Grommet Interfacial Seal Peripheral Seal	Blended flourosilicone/silicone elastomer, 30% silicone per ZZ-R-765, 70% flourosilicone per MIL-R-25988	0.48	0.14	Glenair testing conducted at NuSil Technology 02/27/2001
Front-To-Rear Insulator Bonding Material	Eccobond 104 A/B	0.52	0.08	Emerson & Cuming Data Sheet
Insulator-to-Rubber Bonding Material	DC3145 RTV, per MIL-A-46146	2.52	0.58	NASA Test GSC28621
Coupling Nut Retainer	Torlon® 4203L	1.88	0.01	Glenair Test at NuSil Technology 03-12-2003
Coupling Nut Epoxy	Hysol C9-4215	0.48	0.01	Glenair Test
O-Ring	Flourosilicone Rubber	0.32	0.03	NASA Test GSFC8687
White Epoxy Ink for Silkscreening	Markem 7224 White	0.49	0.03	NASA Test #GSC19899
Black Ink for Part Number Identification	Videojet #16-5600Q	TBD	TBD	
Potting Compound, Solder Cup and PC Tail Connectors	Hysol C9-4215	0.48	0.01	Glenair Test
Potting Compound, Solder Cup and PC Tail Connectors	DC3145 RTV, per MIL-A-46146	2.52	0.58	NASA Test GSC28621
Potting Compound, Filter Receptacles	Stycast epoxy, 2850FT/Catalyst 11	0.29	0.02	Mfgr Data Sheet

Dimensions in inches (millimeters) and are subject to change without notice.

3 Screening: What is NASA screening and what level of screening is required?

B What is NASA screening?

NASA specification EEE-INST-002 provides instructions on selecting, screening and qualifying parts for use on NASA GSFC space flight projects. Table 2A in the NASA specification contains inspection instructions for circular connectors including MIL-DTL-38999. Series 80 connectors are not mentioned in the NASA spec but are similar to D38999 connectors, so Table 2A applies by similarity to Series 80 connectors.

What screening level is required?

NASA defines three levels of screening: level 1 for highest reliability, level 2 for high reliability, and level 3 for standard reliability. Level 3 equates to standard lot acceptance inspection. Levels 1 and 2 call for additional testing.

What about qualification requirements?

Projects using connectors covered by military specifications are typically able to waive qualification testing. The Series 80 connector has been rigorously tested by Glenair but is not covered by a military specification. Projects considering using the Series 80 for space flight should obtain guidance from the overseeing space agency regarding the suitability of existing Glenair Series 80 test data, available on request.

NASA EEE-INST-002 SCREENING REQUIREMENTS

Inspection/ Test	NASA Level 1	NASA Level 2
Visual Inspection	100%	100%
Mechanical	2 pcs.	2 pcs.
Voltage (DWW)	2 pcs.	2 pcs.
Insulation Resistance	2 pcs.	2 pcs.
Contact Engagement and Separation Force (socket contacts)	2 pcs.	N/A
Coupling Force	2 pcs.	N/A
Air leakage (Hermetic connectors only)	100%	100%
Solderability/Resistance to Soldering Heat	2 pcs.	N/A
1. NASA screening requirements from Table 2A of EEE-INST-002 "Screening Requirements for Circular Connectors..."		

4 Magnetic permeability: Are nonmagnetic connectors required?

Spacecraft designers generally avoid the use of ferromagnetic materials, which can become magnetized and can interfere with sensitive instruments. Series 80 aluminum shell connectors have a maximum permeability of 2 mu. Hermetic Series 80 connector pins are iron alloy, a highly magnetic material.

5 Cryogenic exposure: Space programs sometimes need cryogenic connectors capable of withstanding temperatures as low as -270° C. Can Series 80 connectors operate satisfactorily at this temperature?

Series 80 connectors are rated to -65°C. Glenair does not have data to validate these connectors for cryogenic applications. EEE-INST-002 states "...experience has proven it is possible for (non-certified) connector types to be used successfully at cryogenic temperatures. It is recommended that connector samples should be subjected to five cycles of cryogenic temperature...(followed by examination for cracks and DWW)".

Dimensions in inches (millimeters) and are subject to change without notice.

© 2010 Glenair, Inc.

CAGE Code 06324

Printed in U.S.A.

GLENAIR, INC. • 1211 AIR WAY • GLENDALE, CA 91201-2497 • 818-247-6000 • FAX 818-500-9912

www.glenair.com

B-32

E-Mail: sales@glenair.com

01-JANUARY-2010

Series 80 Mighty Mouse Technical Reference Modification Codes and Material/Finish Codes



SERIES 80 MODIFICATION CODES

Modification Code	Description	Application Notes	Part Number Example
MOD-186	Oven bake connector for 8 hours at 400° F.	Intended for space flight applications. See Guidelines for Space-Grade Applications.	800-006-06M5-3SN- 186
MOD-429	Special NASA high-reliability screening and processing	Use this mod code on all Series 80 connectors. See Guidelines for Space-Grade Applications.	801-010-02M13-37PB- 429J
MOD-489	Solder dip PC tails in 63/37 tin-lead	For use with all connectors with PC tail contacts.	801-011-02M7-10PA- 489
MOD-501	Replace spanner-style jam nut w/ hex-style jam nut w/ safety wire holes	Use this mod code on all Series 80 rear panel mount jam nut connectors (style 07).	800-010-07M6-4SN- 501
MOD-518	Waterblock sealing of printed circuit board and solder cup receptacles. Sealing meets 10 ⁻⁴ cc/second maximum helium leak rate at 15 PSI pressure differential following three cycles of thermal shock.	For use on all panel mount receptacles with printed circuit board or solder cup contacts.	801-011-07M9-19SA- 518

STANDARD MATERIAL AND FINISH CODES

Code	Material	Finish	Finish Specification	Hrs. Salt Spray	Electrical Conductivity	Operating Temp. Range	RoHS Compliance
AB	Marine Bronze	Unplated		1000	Conductive	-65 to +200°C	✓
AL	Aluminum	AlumiPlate	MIL-DTL-83488	1000	Conductive	-65 to +175°C	✓
C	Aluminum	Anodize, Black	AMS-A-8625	48	Non-Conductive	-65 to +175°C	✓
E	Aluminum	Chem Film	MIL-DTL-5541	168	Conductive	-65 to +175°C	
G2	Aluminum	Anodize, Hardcoat	AMS-A-8625	336	Non-Conductive	-65 to +200°C	✓
JF	Aluminum	Cadmium, Gold	SAE-AMS-QQ-P-416	1000	Conductive	-65 to +175°C	
LF	Aluminum	Cadmium, Clear	SAE-AMS-QQ-P-416	1000	Conductive	-65 to +175°C	
M	Aluminum	Electroless Nickel	AMS-C-26074	48	Conductive	-65 to +200°C	✓
MT	Aluminum	Nickel-PTFE	GMF-002	500	Conductive	-65 to +175°C	✓
NC	Aluminum	Zinc-Cobalt, Olive Drab	ASTM B 840	350	Conductive	-65 to +175°C	
NF	Aluminum	Cadmium, Olive Drab	SAE-AMS-QQ-P-416	500	Conductive	-65 to +175°C	
P	Stainless Steel	Electrodeposited Nickel	SAE-AMS-QQ-N-290	500	Conductive	-65 to +200°C	✓
Z1	Stainless Steel	Passivate	SAE-AMS-QQ-P-35	1000	Conductive	-65 to +200°C	✓
Z2	Aluminum	Gold	MIL-DTL-45204	48	Conductive	-65 to +200°C	✓
ZC	Stainless Steel	Zinc-Cobalt, Black	ASTM-B840		Conductive	-65 to +175°C	
ZCR	Stainless Steel	Zinc-Cobalt, Black (RoHS)	ASTM-B840		Conductive	-65 to +175°C	✓
ZL	Stainless Steel	Electrodeposited Nickel	SAE-AMS-QQ-N-290	1000	Conductive	-65 to +200°C	✓
ZM	Stainless Steel	Electroless Nickel	AMS-C-26074		Conductive	-65 to +200°C	✓
ZMT	Stainless Steel	Nickel-PTFE	GMF-002	1000	Conductive	-65 to +175°C	✓
ZN	Aluminum	Zinc-Nickel, Olive Drab	ASTM B841	500	Conductive	-65 to +175°C	
ZNU	Aluminum	Zinc-Nickel, Black	ASTM B841	500	Conductive	-65 to +175°C	
ZR	Aluminum	Zinc-Nickel, Black	ASTM B841	1000	Conductive	-65 to +175°C	✓
ZU	Stainless Steel	Cadmium, Black	SAE-AMS-QQ-P-416	1000	Conductive	-65 to +175°C	
ZW	Stainless Steel	Cadmium, Olive Drab	SAE-AMS-QQ-P-416	2000	Conductive	-65 to +175°C	

Dimensions in inches (millimeters) and are subject to change without notice.

1000 Hour Grey™

The Advanced Formula Ni-PTFE Plating Process for EMC Applications



**New Cadmium Free
RoHS Compliant
Plating Process Breaks
1000 Hour Corrosion
Protection Barrier!**

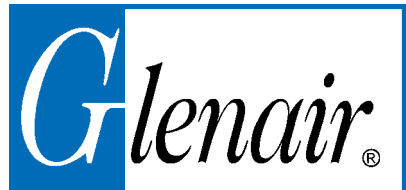
The MIL-DTL-38999 Rev. L detail specification establishes several new cadmium-free conductive plating options including high-performance nickel-fluorocarbon polymer. The Glenair advanced formula **1000 Hour Grey™** plating process (Ni-PTFE) meets all D38999 performance requirements including a shell-to-shell conductivity maximum 2.5 millivolt drop potential.

1000 Hour Grey™ delivers outstanding performance in a broad range of land, sea, air and space interconnect applications. The non-reflective, non-magnetic, gun-metal gray surface finish is an ideal choice for tactical military systems with extraordinary corrosion protection and EMC requirements.

Advanced Durability, Lubricity Plus Outstanding Temperature Resistance!

The mechanical, electrical and environmental performance of **1000 Hour Grey™** is truly outstanding, far surpassing that of other metal alloy/fluorocarbon polymer plating solutions:

- 1000+ Hrs. Salt Spray
- Max 2.5 Millivolt Drop Potential
- -65°C to 175°C Temp. Rating
- 336+ Hrs. Sulfur Dioxide Resistance
- Non-Magnetic
- Cadmium Free
- Low Coefficient of Friction
- Hexavalent Chromium Free
- Potassium Formate Resistant
- Low Shell-to-Shell Resistance
- Adheres to Composite Plastic
- 500+ Mating Cycles
- Low Outgassing
- Available Now!



Glenair, Inc.

1211 Air Way • Glendale, CA 91201-2497 • Tel: 818-247-6000 • Fax: 818-500-9912 • E-Mail: sales@glenair.com

Series 800 Mighty Mouse with UN Mating Thread Table of Contents & Product Selection Guide



SECTION C SERIES 800 PRODUCT SELECTION GUIDE

Plugs

Page C-5

800-006, 800-007,
800-008, 800-009



Series 800 Plugs

Available with hex shaped or round, knurled coupling nuts. The integral shield termination platform accepts heat-shrink boots (ordered separately), or select accessory threads for use with a variety of strain relief and backshell accessory options.

Crimp Receptacles

Page C-7

800-010, 800-011



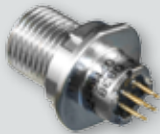
Series 800 Receptacles for Insulated Wire

Jam nut, square flange and in-line versions make it easy to find a style for every application. The integral shield termination platform accepts heat-shrink boots (ordered separately), or select accessory threads for use with a variety of strain relief and backshell accessory options. Contacts are crimp-type and are packaged with the connector.

Solder Cup/PCB Receptacles

Page C-11

800-012, 800-040



Series 800 Receptacles With Solder Cup or PCB Termination

These panel mount connectors feature gold plated, factory-installed non-removeable contacts. Choose printed circuit terminals for attachment to flex circuits or rigid boards, or choose solder cup contacts. Connectors are potted with epoxy for general purpose applications, or choose silicone-sealed, leak-tested versions for 1 meter water immersion.

Right Angle PCB Headers

Page C-14

800-032



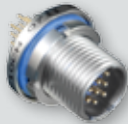
Right Angle PCB Receptacles

Supplied with factory-installed, non-removable PC tail contacts for attachment to rigid boards or flex circuits. Epoxy-sealed. Includes threaded inserts for attachment to PC board.

Hermetic Receptacles

Page C-18

800-013



Series 800 Hermetic Receptacles

Need a miniaturized hermetic for a sealed box or instrument? These stainless steel, glass-sealed connectors are available with solder cup or PC tail contacts. Choose jam nut, square flange or solder mount versions. Contacts are gold plated iron alloy. 100% tested to meet 1×10^{-6} cc/sec helium leakage. Open face pressure rating 1000 PSI.

Feedthrough

Page C-21

800-060



Series 800 Bulkhead Feedthrough Receptacle Connector

Jam Nut mount, shell sizes 5 to 15. This connector mates with all high density plug connectors with the same polarization and opposite contact genders (800-005, 800-007, 800-008, and 800-009). Copper alloy gold-plated contacts, pins to pin, pin to plug or plug to plug.

Cordsets

Page C-23

800-034, 800-041,
800-038, 800-039



Series 800 Cordsets

Specify overmolded cordsets for optimum convenience and performance. Select standard polyurethane-jacketed cable for general purpose applications, or choose low-smoke, zero halogen polyurethane for applications where toxic combustion products are restricted.

Protective Covers

Page C-27

667-184, 667-185



Series 800 Protective Covers

Thread-on metal covers provide a watertight seal and prevent damage. Select nylon cord or wire rope lanyards with a range of ring terminal diameters to fit just about any need.

Dimensions in inches (millimeters) and are subject to change without notice.

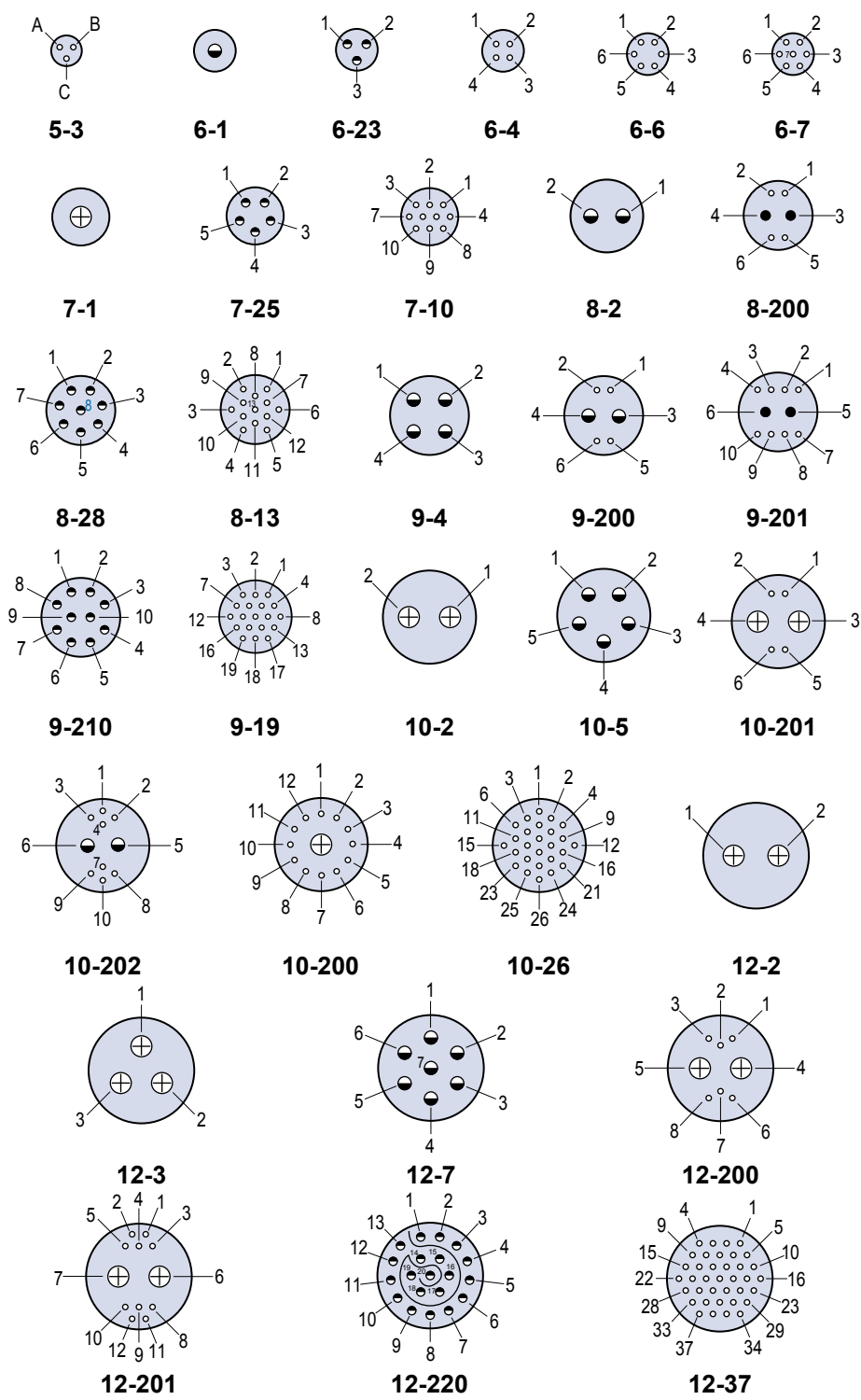


Series 800 Mighty Mouse with UN Mating Thread Contact Arrangements

CONTACT ARRANGEMENTS

Contact Arr.	No. of Contacts				
	#23	#20	#20HD	#16	#12
5-3	3				
6-1				1	
6-23			3		
6-4	4				
6-6	6				
6-7	7				
7-1					1
7-25			5		
7-10	10				
8-2				2	
8-28			8		
8-13	13				
8-200	4	2			
9-4				4	
9-210			10		
9-19	19				
9-200	4			2	
9-201	8	2			
10-2					2
10-5				5	
10-26	26				
10-200	12				1
10-201	4				2
10-202	8			2	
12-2					2
12-3					3
12-7				7	
12-220			20		
12-37	37				
12-200	6				2
12-201	10				2

Mating Face View of Pin Connector (socket connector numbers are reversed)



Contact Legend
 #23 ● #20HD ● #20 ● #16 ⊕ #12 ⊕

Dimensions in inches (millimeters) and are subject to change without notice.
 CAGE Code 06324

Printed in U.S.A.

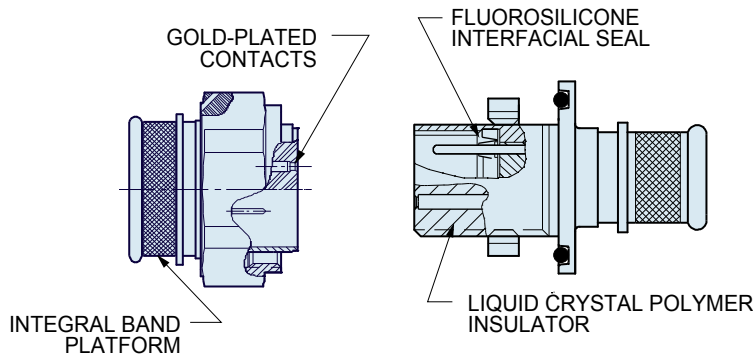
GLENAIR, INC. • 1211 AIR WAY • GLENDALE, CA 91201-2497 • 818-247-6000 • FAX 818-500-9912

www.glenair.com

C-2

E-Mail: sales@glenair.com

Series 800 Mighty Mouse with UN Mating Thread General Information



- Threaded Coupling Mechanism
- Crimp Rear Release Contacts
- Integral Band Platform
- Available with Size #12, #16, #20, #20HD and #23 Contacts
- Environmentally Sealed

Glenair's Original Mighty Mouse Offers Environmental Sealing and Rugged Design in a Lightweight, Ultraminiature Package

Series 800 connectors are intended for light and medium duty applications where size, weight and cost outweigh the need for heavier-duty Series 80 connectors. Terminate shielded cable directly to the integral band platform for excellent EMI protection. Originally used for aerospace sensors, these Series 800 connectors have proven to be a good solution for small form factor tactical equipment including keyboards, radios, ruggedized RPDA's and other dismounted soldier equipment. These connectors meet the requirements of MIL-STD-810 for immersion, vibration, sand and dust, shock, and corrosion resistance.



SPECIFICATIONS	
Current Rating	#23 5 A., #20 7.5 A., #16 13 A., #12 23 A.
Dielectric Withstanding Voltage	#23 500 VAC RMS, #20HD 750 VAC, #12 and #16 1800 VAC
Insulation Resistance	5000 megohms minimum
Operating Temperature	-55° C. to +150° C.
Shock	300 g.
Vibration	37 g.
Shielding Effectiveness	55 dB minimum from 100MHz to 1000MHz.
Durability	2000 mating cycles

MATERIALS AND FINISHES	
Shells, Jam Nuts	Aluminum alloy or stainless steel
Contacts	Copper alloy, 50 µinch gold plated
Insulators	Liquid crystal polymer (LCP)
Contact Retention Clip	Beryllium copper alloy
Interfacial Seal, O-rings, Wire Sealing Grommet	Fluorosilicone rubber

Dimensions in inches (millimeters) and are subject to change without notice.

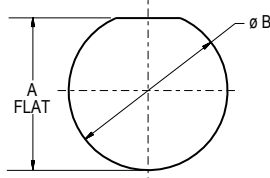
Series 800 Mighty Mouse with UN Mating Thread Connector Weights and Panel Cutouts

CONNECTOR WEIGHTS

Maximum Weight In Grams

Layout	Cable Plug	J/N Recep	
		Crimp Contacts	PCB Contacts
5-3P	3.6	2.5	2.5
5-3S	3.7	2.6	2.6
6-1P	4.3	3.2	3.2
6-1S	4.4	3.3	3.3
6-4P	4.8	3.7	3.9
6-4S	5.2	4.0	3.7
6-7P	4.8	3.6	3.7
6-7S	4.7	4.0	3.9
7-1P	5.7	4.7	4.4
7-1S	5.9	5.0	4.5
7-10P	6.9	5.7	5.1
7-10S	7.4	6.2	5.4
8-2P	7.4	6.2	6.2
8-2S	8.1	6.9	6.9
8-13P	6.7	5.5	5.5
8-13S	7.2	5.9	5.9
8-200P	7.7	6.5	6.5
8-200S	8.4	7.2	7.2
9-4P	8.7	7.4	6.7
9-4S	8.8	7.6	6.8
9-19P	10.5	9.2	7.7
9-19S	11.2	9.6	7.9
9-200P	8.3	6.8	6.2
9-200S	9.4	7.9	7.3
9-201P	8.4	6.9	6.3
9-201S	9.5	8.0	7.4
10-5P	9.7	9.9	12.2
10-5S	11.1	11.3	13.6
10-26P	7.9	8.1	10.5
10-26S	8.6	8.4	9.9
10-200P	8.8	9.0	11.3
10-200S	10.3	10.6	12.8
10-201P	9.1	9.4	11.7
10-201S	10.7	10.9	13.2
10-202P	8.8	9.0	11.2
10-202S	10.2	10.5	12.8
12-2P	10.5	10.1	11.6
12-2S	10.6	10.2	11.7
12-3P	10.7	10.3	11.8
12-3S	10.8	10.5	11.9
12-7P	14.3	13.8	15.3
12-7S	16.9	16.5	17.9
12-37P	12.5	12.1	13.5
12-37S	16.1	13.6	14.9
12-200P	13.2	12.8	14.2
12-200S	15.5	15.1	16.5
12-201P	13.3	12.9	14.3
12-201S	15.7	15.3	16.7

SERIES 800 PANEL CUTOUTS



Shell Size	A Flat		øB	
	In.	mm.	In.	mm.
5	.295/.299	7.49/7.59	.317/.327	8.05/8.30
6	.358/.362	9.09/9.19	.380/.390	9.65/9.91
7	.424/.428	10.77/10.87	.442/.452	11.23/11.48
8	.479/.483	12.16/12.26	.505/.515	12.83/13.08
9	.537/.541	13.64/13.74	.567/.577	14.40/14.66
10	.610/.614	15.49/15.59	.630/.640	16.00/16.26
12	.717/.721	18.21/18.31	.755/.765	19.18/19.43

SERIES 800 RECOMMENDED TORQUE VALUES

Shell Size	Coupling Torque				Jam Nut				Backshell			
	In-Lbs.		N-m		In-Lbs.		N-m		In-Lbs.		N-m	
	Min.	Max.	Min.	Max.	Min.	Max.	Min.	Max.	Min.	Max.	Min.	Max.
5	13	17	1.5	1.9	20	25	2.2	2.8	13	17	1.5	1.9
6	18	22	2.0	2.5	20	25	2.2	2.8	18	22	2.0	2.5
7	20	25	2.3	2.8	20	25	2.2	2.8	30	40	3.4	4.5
8	30	40	3.4	4.5	20	25	2.2	2.8	30	40	3.4	4.5
9	30	40	3.4	4.5	25	30	2.8	3.3	35	45	4.0	5.1
10	35	45	4.0	5.1	25	30	2.8	3.3	35	45	4.0	5.1
12	35	45	4.0	5.1	25	30	2.8	3.3	35	45	4.0	5.1

Dimensions in inches (millimeters) and are subject to change without notice.

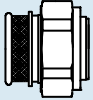
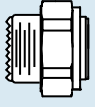
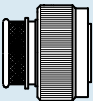
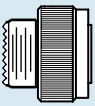
Series 800 Mighty Mouse with UN Mating Thread Plug Connector Ordering Information

800-006 Thru 800-009



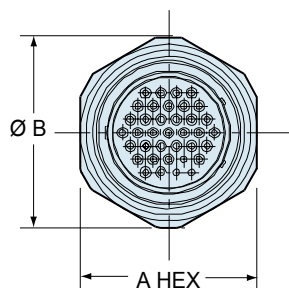
Series 800 Plug Connector

Glenair's smallest Mighty Mouse connector has compact size and rugged design for hostile environments. UN mating thread. Connector shells are machined aluminum or stainless steel. Supplied with crimp contacts, packaged separately. Terminate contacts with standard M2520 tools. Metal clips inside the connector body lock contact into place. Contacts are removable. Fluorosilicone seals and rear grommet protect connector from water ingress. Choose hex or knurled coupling nut. Terminate cable shield directly to connector body with BAND-IT strap, or choose rear accessory thread to attach optional cable clamp or backshell. Available in shell sizes 5 through 12 in 31 contact arrangements.

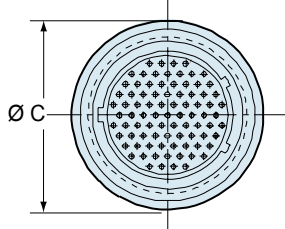
HOW TO ORDER					
Sample Part Number					
800-006	-06	M	7-10	P	Z
Series	Shell Style	Shell Material / Finish	Shell Size- Insert Arrangement	Contact Type	Shell Key Position
 800-006 Hex Plug with Banding Platform	-06 Standard Coupling Nut -16 Coupling Nut with Anti-Decoupling Wave Spring	C Aluminum / Black Anodize (Non-Conductive) RoHS Compliant	SEE CONTACT ARRANGEMENTS PAGE C-2	Connector supplied with contacts P Pin S Socket	N Normal X Pos. X Y Pos. Y
		M Aluminum / Electroless Nickel RoHS Compliant		Connector supplied without contacts A Pin Connector, less contacts	Z Pos. Z
		NF Aluminum / Cadmium with Olive Drab Chromate		B Socket Connector, less contacts	
		ZN Aluminum / Zinc-Nickel with Olive Drab Chromate		Connectors with contacts are supplied with signal and/or power crimp contacts. These contacts are not installed. Coaxial contacts and non-standard signal contacts are ordered separately.	
 800-007 Hex Plug with Accessory Thread		ZNU Aluminum / Zinc-Nickel with Black Chromate			
 800-008 Knurled Round Plug with Band Platform		MT Aluminum / Nickel-PTFE RoHS Compliant			
 800-009 Knurled Round Plug with Accessory Thread		Z1 Stainless Steel / Passivated RoHS Compliant			

Dimensions in inches (millimeters) and are subject to change without notice.

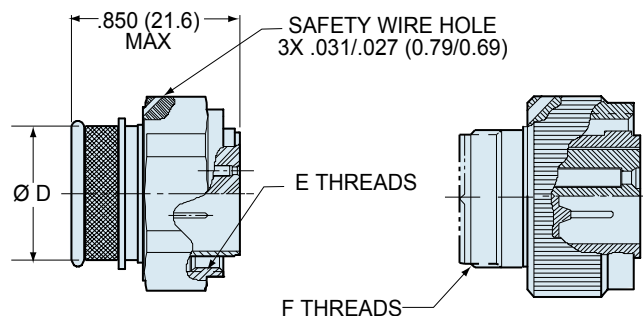
Series 800 Mighty Mouse with UN Mating Thread Plug Connector Dimensions 800-006 Thru 800-009



Hex Coupling Nut
800-006
800-007



**Round Knurled
Coupling Nut**
800-008
800-009



**Integral Band
Platform**
800-006
800-008

Accessory Threads
800-007
800-009

DIMENSIONS

Shell Size	A Hex Style 06		A Hex Style 16		Ø B Style 06		Ø B Style 16		Ø C Style 06		Ø C Style 16		Ø D		E Threads Coupling Nut	F Threads Accessory
	In.	mm.	In.	mm.	In.	mm.	In.	mm.	In.	mm.	In.	mm.	In.	mm.		
5	.430	10.92	.495	12.57	.470	11.94	.540	13.72	.430	10.92	.490	12.45	.230	5.84	.3125-28 UN-2B	.250-32 UNEF-2A
6	.500	12.70	.563	14.30	.550	13.97	.620	15.75	.500	12.70	.560	14.22	.286	7.26	.3750-28 UN-2B	.3125-32 UNEF-2A
7	.625	15.88	.720	18.29	.680	17.27	.800	20.32	.620	15.75	.680	17.27	.390	9.91	.4375-28 UNEF-2B	.4375-28 UNEF-2A
8	.680	17.27	.743	18.87	.750	19.05	.830	21.08	.680	17.27	.750	19.05	.445	11.30	.5000-32 UN-2B	.5000-28 UNEF-2A
9	.750	19.05	.813	20.65	.830	21.08	.890	22.61	.750	19.05	.810	20.57	.500	12.70	.5625-32 UN-2B	.5625-24 UNEF-2A
10	.812	20.62	.875	22.23	.900	22.86	.960	24.38	.810	20.57	.880	23.35	.565	14.35	.6250-32 UN-2B	.6250-24 UNEF-2A
12	.875	22.23	.938	23.83	.970	24.64	1.030	26.16	.880	22.35	.940	23.88	.650	16.51	.7500-28 UN-2B	.6875-24 UNEF-2A

SERIES 800 KEY POSITIONS

Key Position	Key Rotation		
Normal (N)	150°		
X	140°		
Y	130°		
Z	120°		
Shell size 5 and 6: master key is located at top dead center for normal (N) position. Shell size 7 thru 12: master key is rotated 90° from TDC for normal position.		<p align="center">Plug Key Position</p>	<p align="center">Receptacle Key Position</p>

Dimensions in inches (millimeters) and are subject to change without notice.

Series 800 Mighty Mouse with UN Mating Thread Crimp Receptacle Ordering Information

800-010 and 800-011



In-Line



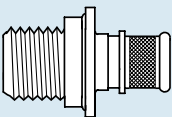
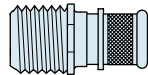
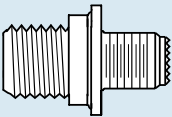
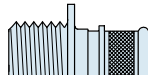
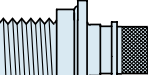
Rear Panel Jam Nut



Square Flange

Integral Band Platform for direct attachment of a cable shield using a **BAND-IT®** strap. Install a boot, or overmold onto the band platform. An accessory thread is available for attaching strain reliefs and backshells.

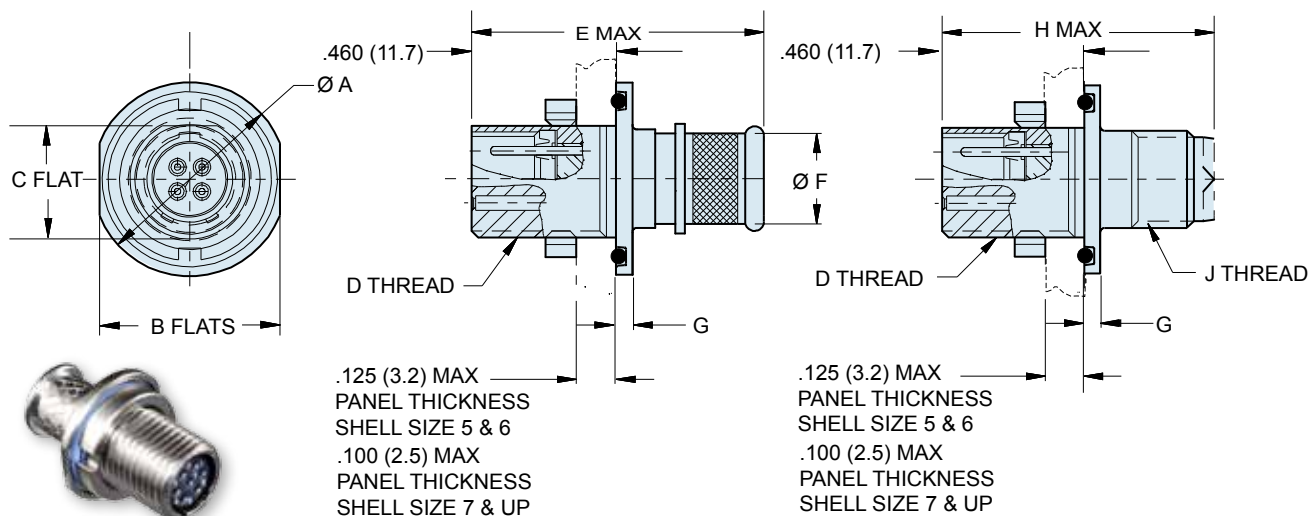
Three Shell Options: Jam nut with o-ring for rear panel mounting, square flange or in-line receptacle for free-hanging cables.

HOW TO ORDER					
Sample Part Number					
800-011	-01	M	6-4	P	N
Series	Shell Style	Shell Material / Finish	Shell Size- Insert Arrangement	Contact Type	Shell Key Position
 800-010 Receptacle with Banding Platform	 -01 In-Line	C Aluminum / Black Anodize (Non-Conductive) RoHS Compliant	SEE CONTACT ARRANGEMENTS PAGE C-2	Connector supplied with contacts P Pin	N Normal
		M Aluminum / Electroless Nickel RoHS Compliant		S Socket	X Pos. X
 800-011 Receptacle with Accessory Thread	 -02 Square Flange for Front or Rear Mounting	NF Aluminum / Cadmium with Olive Drab Chromate		Connector supplied without contacts A Pin Connector, less contacts	Y Pos. Y
		ZN Aluminum / Zinc-Nickel with Olive Drab Chromate		B Socket Connector, less contacts	Z Pos. Z
	 -07 Jam Nut for Rear Panel Mounting	ZNU Aluminum / Zinc-Nickel with Black Chromate	Connectors with contacts are supplied with signal and/or power crimp contacts. These contacts are not installed. Coaxial contacts and non-standard signal contacts are ordered separately.		
		MT Aluminum / Nickel-PTFE RoHS Compliant			
		Z1 Stainless Steel / Passivated RoHS Compliant			

Dimensions in inches (millimeters) and are subject to change without notice.

Integral Band Platform 800-010-07

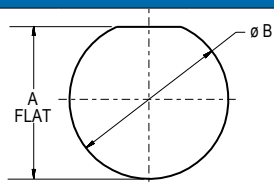
Accessory Thread 800-011-07



DIMENSIONS

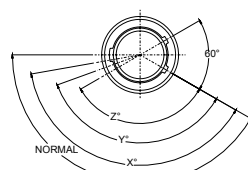
Shell Size	Ø A		B		C		D Threads Mating	E Max.		Ø F		Ø G		H Max.		J Threads Accessory
	In.	mm.	In.	mm.	In.	mm.		In.	mm.	In.	mm.	In.	mm.	In.	mm.	
5	.541	13.74	.500	12.70	.285	7.24	.3125-28 UN-2A	.875	22.22	.230	5.84	.051	1.30	.850	21.59	.250-32 UNEF-2A
6	.610	15.49	.562	14.27	.352	8.94	.3750-28 UN-2A	.875	22.22	.286	7.26	.051	1.30	.850	21.59	.3125-32 UNEF-2A
7	.670	17.02	.635	16.13	.411	10.44	.4375-28 UNEF-2A	.875	22.22	.390	9.91	.093	2.36	.850	21.59	.4375-28 UNEF-2A
8	.775	19.69	.735	18.67	.473	12.01	.5000-32 UN-2A	.875	22.22	.445	11.30	.093	2.36	.850	21.59	.5000-28 UNEF-2A
9	.875	22.23	.806	20.47	.530	13.46	.5625-32 UN-2A	.875	22.22	.500	12.70	.093	2.36	.850	21.59	.5625-24 UNEF-2A
10	.980	24.89	.940	23.88	.604	15.34	.6250-32 UN-2A	.875	22.22	.565	14.35	.093	2.36	.850	21.59	.6250-24 UNEF-2A
12	1.062	26.97	.986	25.04	.712	18.08	.7500-28 UN-2A	.875	22.22	.650	16.51	.093	2.36	.850	21.59	.6875-24 UNEF-2A

SERIES 800 PANEL CUTOUTS

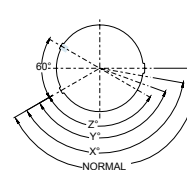


Shell Size	A Flat		Ø B	
	In.	mm.	In.	mm.
5	.295/.299	7.49/7.59	.317/.327	8.05/8.30
6	.358/.362	9.09/9.19	.380/.390	9.65/9.91
7	.424/.428	10.77/10.87	.442/.452	11.23/11.48
8	.479/.483	12.16/12.26	.505/.515	12.83/13.08
9	.537/.541	13.64/13.74	.567/.577	14.40/14.66
10	.610/.614	15.49/15.59	.630/.640	16.00/16.26
12	.717/.721	18.21/18.31	.755/.765	19.18/19.43

SERIES 800 KEY POSITIONS



Plug



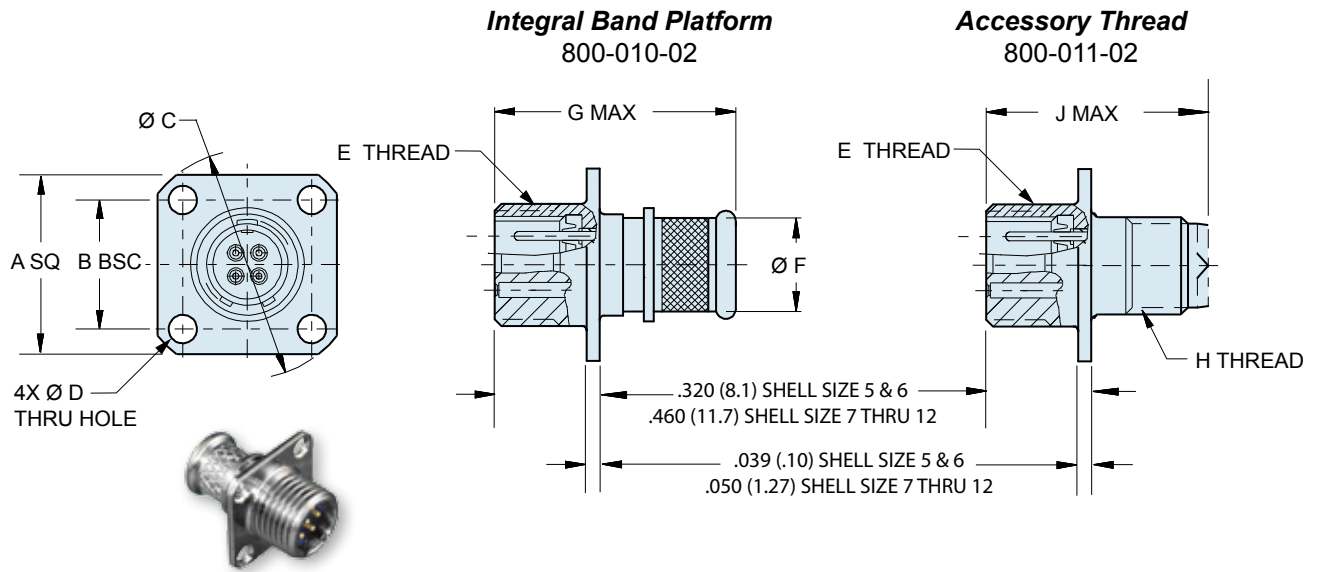
Receptacle

Key Position	Key Rotation
Normal (N)	150°
X	140°
Y	130°
Z	120°

Shell size 5 and 6: master key is located at top dead center for normal (N) position. Shell size 7 thru 12: master key is rotated 90° from TDC.

Dimensions in inches (millimeters) and are subject to change without notice.

Series 800 Mighty Mouse with UN Mating Thread Square Flange Crimp Receptacle Dimensions 800-010-02 and 800-011-02



DIMENSIONS

Shell Size	A SQ		B		Ø C		Ø D		E Threads Mating	Ø F		G Max.		H Threads Accessory		J Max.	
	In.	mm.	In.	mm.	In.	mm.	In.	mm.		In.	mm.	In.	mm.	In.	mm.	In.	mm.
5	.527	13.39	.363	9.22	.680	17.27	.094	2.39	.3125-28 UN-2A	.230	5.84	.750	19.05	.250-32 UNEF-2A	.725	18.42	
6	.588	14.92	.423	10.74	.750	19.05	.094	2.39	.3750-28 UN-2A	.286	7.26	.750	19.05	.3125-32 UNEF-2A	.725	18.42	
7	.650	16.51	.483	12.27	.830	21.08	.128	3.25	.4375-28 UNEF-2A	.390	9.91	.825	20.96	.4375-28 UNEF-2A	.800	20.32	
8	.710	18.03	.542	13.77	.938	23.83	.128	3.25	.5000-32 UN-2A	.445	11.30	.825	20.96	.5000-28 UNEF-2A	.800	20.32	
9	.938	23.83	.719	18.26	1.250	31.75	.128	3.25	.5625-32 UN-2A	.500	12.70	.825	20.96	.5625-24 UNEF-2A	.800	20.32	
10	.938	23.83	.719	18.26	1.250	31.75	.128	3.25	.6250-32 UN-2A	.565	14.35	.825	20.96	.6250-24 UNEF-2A	.800	20.32	
12	1.031	26.19	.812	20.62	1.375	34.93	.128	3.25	.7500-28 UN-2A	.650	16.51	.825	20.96	.6875-24 UNEF-2A	.800	20.32	

SERIES 800 KEY POSITIONS

Key Position	Key Rotation		
Normal (N)	150°	<p style="text-align: center;">Plug Key Position</p>	<p style="text-align: center;">Receptacle Key Position</p>
X	140°		
Y	130°		
Z	120°		
<p>Shell size 5 and 6: master key is located at top dead center for normal (N) position. Shell size 7 thru 12: master key is rotated 90° from TDC.</p>			

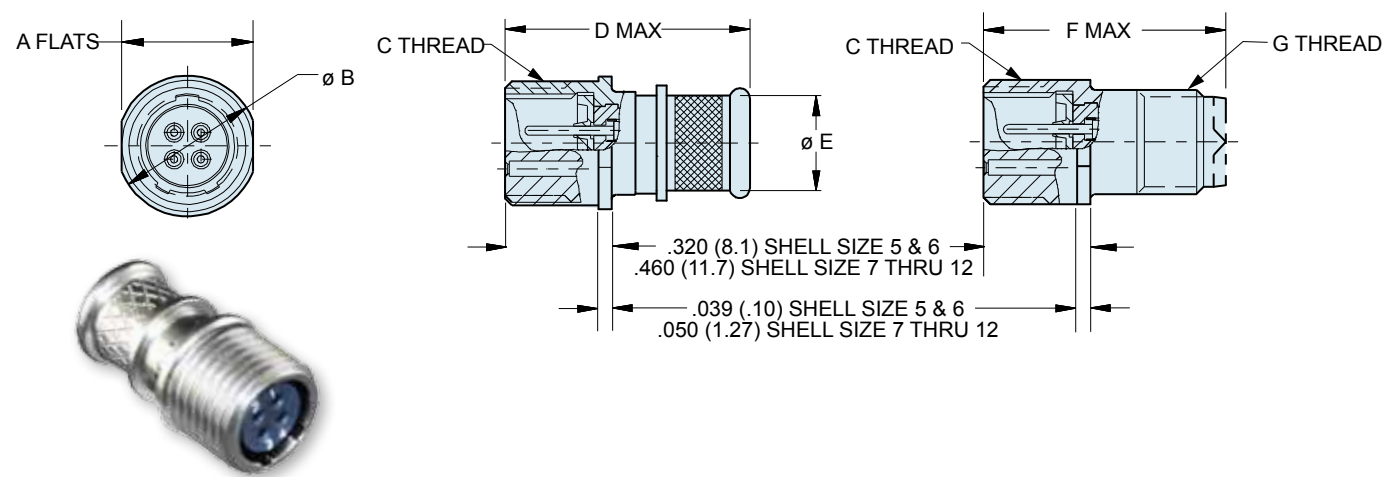
Dimensions in inches (millimeters) and are subject to change without notice.



Series 800 Mighty Mouse with UN Mating Thread In-Line Crimp Receptacle Dimensions 800-010-01 and 800-011-01

Integral Band Platform
800-010-01

Accessory Thread
800-011-01



DIMENSIONS

Shell Size	A		Ø B		C Threads Mating	D Max.		Ø E		F Max.		G Threads Accessory
	In.	mm.	In.	mm.		In.	mm.	In.	mm.	In.	mm.	
5	.312	7.92	.355	9.02	.3125-28 UN-2A	.750	19.05	.230	5.84	.725	18.42	.250-32 UNEF-2A
6	.375	9.53	.400	10.16	.3750-28 UN-2A	.750	19.05	.286	7.26	.725	18.42	.3125-32 UNEF-2A
7	.445	11.30	.490	12.45	.4375-28 UNEF-2A	.825	20.96	.390	9.91	.800	20.32	.4375-28 UNEF-2A
8	.550	13.97	.600	15.24	.5000-32 UN-2A	.825	20.96	.445	11.30	.800	20.32	.5000-28 UNEF-2A
9	.613	15.57	.663	16.84	.5625-32 UN-2A	.825	20.96	.500	12.70	.800	20.32	.5625-24 UNEF-2A
10	.675	17.15	.725	18.42	.6250-32 UN-2A	.825	20.96	.565	14.35	.800	20.32	.6250-24 UNEF-2A
12	.800	20.32	.850	21.59	.7500-28 UN-2A	.825	20.96	.650	16.51	.800	20.32	.6875-24 UNEF-2A

SERIES 800 KEY POSITIONS

Key Position	Key Rotation		
Normal (N)	150°	<p style="text-align: center; color: #0056b3; font-weight: bold;">Plug Key Position</p>	<p style="text-align: center; color: #0056b3; font-weight: bold;">Receptacle Key Position</p>
X	140°		
Y	130°		
Z	120°		
<p>Shell size 5 and 6: master key is located at top dead center for normal (N) position. Shell size 7 thru 12: master key is rotated 90° from TDC for normal position.</p>			

Dimensions in inches (millimeters) and are subject to change without notice.

Series 800 Mighty Mouse with UN Mating Thread Printed Circuit Board Receptacle Ordering Info

800-012-02 and 800-012-07

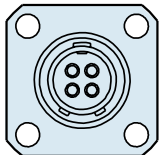
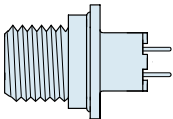


Series 800 PCB Receptacle

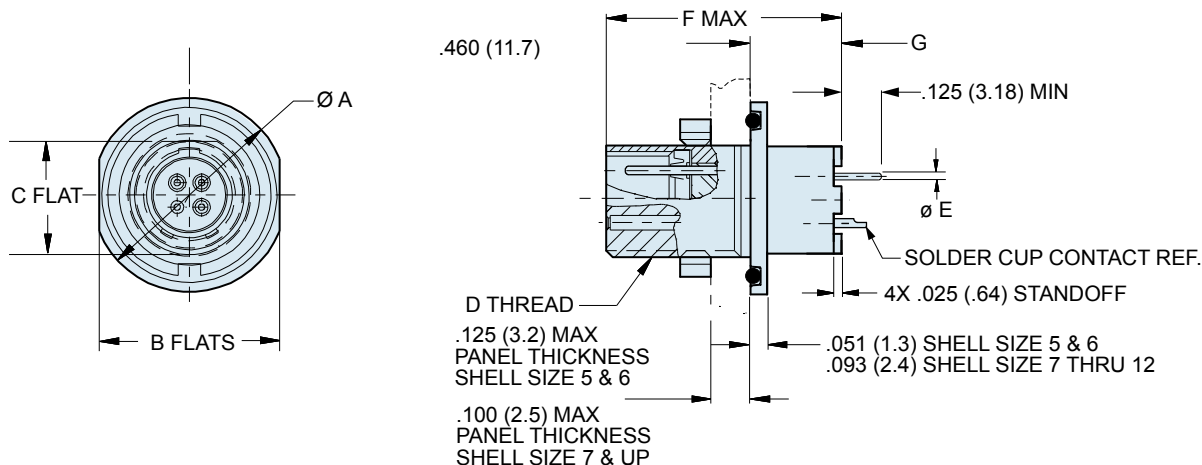
Printed Circuit Board/Solder Cup Receptacles feature low profile shells for minimum protrusion inside enclosures and integral board standoffs. Contacts are non-removable.

Water Immersion, Unmated

Specify **800-012** connectors for applications where open face water immersion is not a requirement. For MIL-STD-810 Method 512G immersion requirements, specify **800-040** watertight connectors. These 800-040 connectors are specially sealed ("MOD-518") and are 100% tested to maintain a helium leak rate of 1×10^{-4} cc/second at one atmosphere pressure differential from -40C to +70C.

HOW TO ORDER					
Sample Part Number					
800-012	-07	M	7-10	P	Z
Series	Shell Style	Shell Material / Finish	Shell Size- Insert Arrangement	Contact Type	Shell Key Position
<p>800-012 Receptacle for Solder Cup or PCB Termination, with Standard Epoxy Potting</p>	 <p>-02 Square Flange</p>	<p>C Aluminum / Black Anodize (Non-Conductive) RoHS Compliant</p> <p>M Aluminum / Electroless Nickel RoHS Compliant</p>	<p>SEE CONTACT ARRANGEMENTS PAGE C-2</p>	<p>P Pin</p> <p>S Socket</p> <p>E Pin, Solder Cup</p> <p>F Socket, Solder Cup</p>	<p>N Normal</p> <p>X Pos. X</p> <p>Y Pos. Y</p> <p>Z Pos. Z</p>
<p>800-040 Receptacle for Solder Cup or PCB Termination, With Special "MOD-518" Sealing For Open Face (unmated) Water Immersion Requirements. 100% Leak Tested.</p>	 <p>-07 Jam Nut</p>	<p>NF Aluminum / Cadmium with Olive Drab Chromate</p> <p>ZN Aluminum / Zinc-Nickel with Olive Drab Chromate</p> <p>ZNU Aluminum / Zinc-Nickel with Black Chromate</p> <p>MT Aluminum / Nickel-PTFE RoHS Compliant</p> <p>Z1 Stainless Steel / Passivated RoHS Compliant</p>			

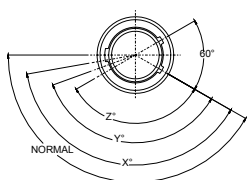
Dimensions in inches (millimeters) and are subject to change without notice.



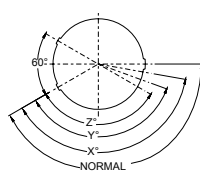
DIMENSIONS

Shell Size	Ø A		Ø B		C		D Threads Mating	Ø E Tail Dia.	F Max		G	
	In.	mm.	In.	mm.	In.	mm.			In.	mm.	In.	mm.
5	.541	13.74	.500	12.70	.285	7.24	.3125-28 UN-2A	#23 .018/.022 (0.46/0.56)	.725	18.42	.247	6.27
6	.610	15.49	.562	14.27	.352	8.94	.3750-28 UN-2A		.725	18.42	.247	6.27
7	.670	17.02	.635	16.13	.411	10.44	.4375-28 UNEF-2A	#20 .024/.028 (0.61/0.71)	.700	17.78	.205	5.21
8	.775	19.69	.735	18.67	.473	12.01	.5000-32 UN-2A		.700	17.78	.205	5.21
9	.875	22.23	.806	20.47	.530	13.46	.5625-32 UN-2A	#16 .060/.064 (1.52/1.63)	.700	17.78	.205	5.21
10	.980	24.89	.940	23.88	.604	15.34	.6250-32 UN-2A		.700	17.78	.205	5.21
12	1.062	26.97	.986	25.04	.712	18.08	.7500-28 UN-2A	#12 .092/.096 (2.34/2.44)	.700	17.78	.205	5.21

SERIES 800 KEY POSITIONS



Plug

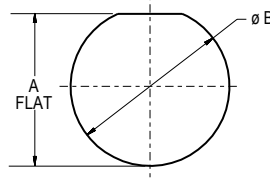


Receptacle

Key Position	Key Rotation
Normal (N)	150°
X	140°
Y	130°
Z	120°

Shell size 5 and 6: master key is located at top dead center for normal (N) position. Shell size 7 thru 12: master key is rotated 90° from TDC for normal position.

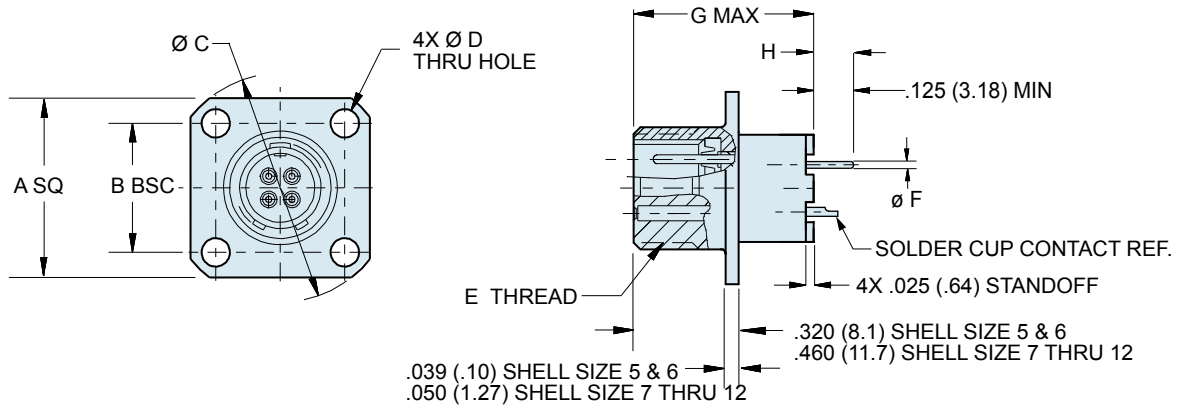
SERIES 800 PANEL CUTOUTS



Shell Size	A Flat		Ø B	
	In.	mm.	In.	mm.
5	.295/.299	7.49/7.59	.317/.327	8.05/8.30
6	.358/.362	9.09/9.19	.380/.390	9.65/9.91
7	.424/.428	10.77/10.87	.442/.452	11.23/11.48
8	.479/.483	12.16/12.26	.505/.515	12.83/13.08
9	.537/.541	13.64/13.74	.567/.577	14.40/14.66
10	.610/.614	15.49/15.59	.630/.640	16.00/16.26
12	.717/.721	18.21/18.31	.755/.765	19.18/19.43

Dimensions in inches (millimeters) and are subject to change without notice.

Series 800 Mighty Mouse with UN Mating Thread Printed Circuit Board Receptacle Dimensions Square Flange Receptacle 800-012-02



DIMENSIONS

Shell Size	A SQ		B		$\varnothing C$		$\varnothing D$		E Threads Mating	$\varnothing F$ Tail Dia.	G Max		H			
	In.	mm.	In.	mm.	In.	mm.	± .005	± 0.13			In.	mm.	In.	mm.	In.	mm.
5	.527	13.39	.363	9.22	.680	17.27	.094	2.39	.3125-28 UN-2A	#23	.725	18.42	.426	10.82		
6	.588	14.92	.423	10.74	.750	19.05	.094	2.39	.3750-28 UN-2A		.018/.022 (0.46/0.56)	.725	18.42	.426	10.82	
7	.650	16.51	.483	12.27	.830	21.08	.128	3.25	.4375-28 UNEF-2A	#20	.700	17.78	.255	6.48		
8	.710	18.03	.542	13.77	.938	23.83	.128	3.25	.5000-32 UN-2A		.024/.028 (0.61/0.71)	.700	17.78	.255	6.48	
9	.938	23.83	.719	18.26	1.250	31.75	.128	3.25	.5625-32 UN-2A	#16	.700	17.78	.255	6.48		
10	.938	23.83	.719	18.26	1.250	31.75	.128	3.25	.6250-32 UN-2A		.060/.064 (1.52/1.63)	.700	17.78	.255	6.48	
12	1.031	26.19	.812	20.62	1.375	34.93	.128	3.25	.7500-28 UN-2A	#12	.092/.096 (2.34/2.44)	.700	17.78	.255	6.48	

SERIES 800 KEY POSITIONS

Key Position	Key Rotation		
Normal (N)	150°	<p>Plug Key Position</p>	<p>Receptacle Key Position</p>
X	140°		
Y	130°		
Z	120°		
<p>Shell size 5 and 6: master key is located at top dead center for normal (N) position. Shell size 7 thru 12: master key is rotated 90° from TDC.</p>			

Dimensions in inches (millimeters) and are subject to change without notice.

Series 800 Mighty Mouse with UN Mating Thread Right Angle PCB Receptacle Headers

800-032-07

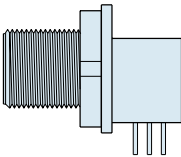


800-032 right angle I/O headers feature gold-plated size #23 contacts. UN mating thread, and aluminum or stainless steel shells. Rubber seal protects mated connectors from water ingress. 5 amp current rating, 500 VAC voltage rating. Contacts are factory-installed and are non-removable. Thermoplastic rear housing has #2-56 threaded inserts for attaching to circuit board with customer-supplied mounting screws. Connectors attach to chassis or panel with low-profile jam nut and O-ring. Available in six contact arrangements, these right angle headers are ideal for hostile environment 100/1000BASE-T Ethernet applications where commercial-grade RJ-45 jacks are not advised.

Right Angle PCB Receptacle

HOW TO ORDER SERIES 800 RIGHT ANGLE PCB RECEPTACLES

Sample Part Number

800-032	-07	M	7-10	P	Z
Series	Shell Style	Shell Material / Finish	Shell Size- Insert Arrangement	Contact Type	Shell Key Position
800-032 PCB Receptacle	 -07 Jam Nut	C Aluminum / Black Anodize (Non-Conductive) RoHS Compliant M Aluminum / Electroless Nickel RoHS Compliant NF Aluminum / Cadmium with Olive Drab Chromate ZN Aluminum / Zinc-Nickel with Olive Drab Chromate ZNU Aluminum / Zinc-Nickel with Black Chromate MT Aluminum / Nickel-PTFE RoHS Compliant Z1 Stainless Steel / Passivated RoHS Compliant	5-3 3 #23 6-4 4 #23 6-7 7 #23 7-10 10 #23 8-13 13 #23 9-19 19 #23	P Pin S Socket	N Normal X Pos. X Y Pos. Y Z Pos. Z

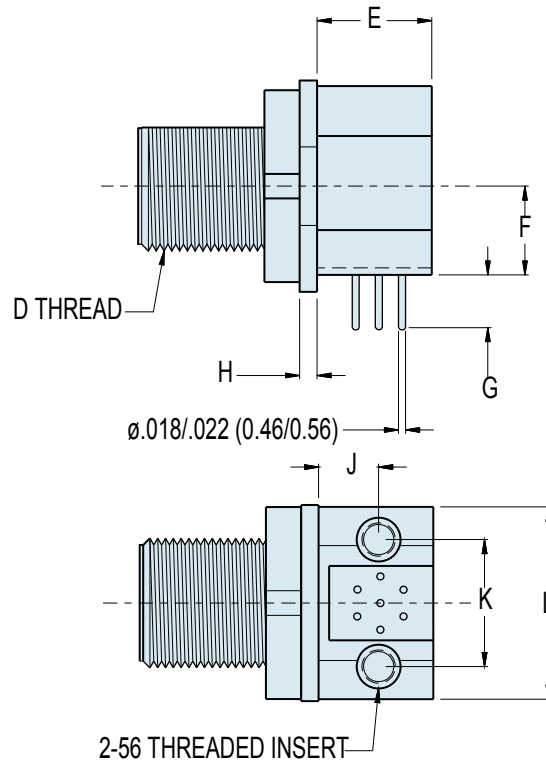
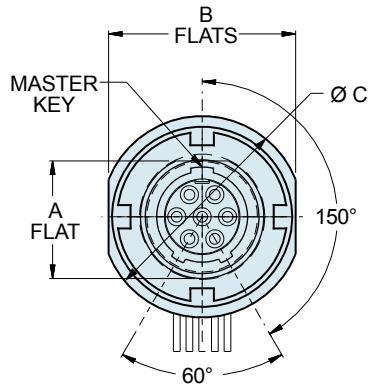
Dimensions in inches (millimeters) and are subject to change without notice.

Series 800 Mighty Mouse with UN Mating Thread Right Angle PCB Receptacle Headers

800-032-07



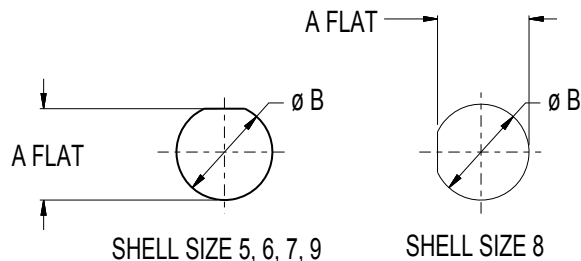
Series 800



DIMENSIONS

Shell Size	A		B		Ø C		D Threads	E		F		G		H		J		K		L	
	In.	mm.	In.	mm.	In.	mm.		In.	mm.	In.	mm.	In.	mm.	In.	mm.	In.	mm.	In.	mm.	In.	mm.
5-3	.289	7.34	.498	12.65	.538	13.67	.3125-28 UN-2A	.260	6.60	.235	5.97	.257	6.53	.050	1.27	.165	4.19	.310	7.87	.490	12.45
6-4	.355	9.02	.560	14.22	.605	15.37	.3750-28 UN-2A	.330	8.38	.232	5.89	.285	7.24	.050	1.27	.224	5.69	.385	9.78	.580	14.73
6-7	.355	9.02	.560	14.22	.605	15.37	.3750-28 UN-2A	.350	8.89	.232	5.89	.285	7.24	.050	1.27	.187	4.75	.408	10.36	.580	14.73
7-10	.414	10.52	.640	16.26	.665	16.89	.4375-28 UNEF-2A	.350	8.89	.325	8.26	.285	7.24	.092	2.34	.170	4.32	.452	11.48	.710	18.03
8-13	.475	12.07	.730	18.54	.770	19.56	.5000-32 UN-2A	.490	12.45	.330	8.38	.285	7.24	.092	2.34	.230	5.84	.490	12.45	.710	18.03
9-19	.532	13.51	.805	20.45	.875	22.23	.5625-32 UN-2A	.490	12.45	.360	9.14	.275	6.99	.092	2.34	.342	8.69	.600	15.24	.800	20.32

PANEL CUTOUTS FOR RIGHT ANGLE PCB HEADERS



RECOMMENDED PANEL CUTOUT

Shell Size	A Flat		ØB	
	In.	mm.	In.	mm.
5	.294	7.47	.322	8.18
6	.360	9.14	.386	9.80
7	.419	10.64	.449	11.40
8	.481	12.22	.510	12.95
9	.538	13.67	.574	14.58

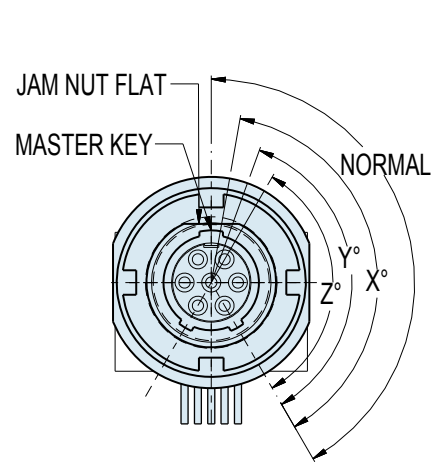
Dimensions in inches (millimeters) and are subject to change without notice.



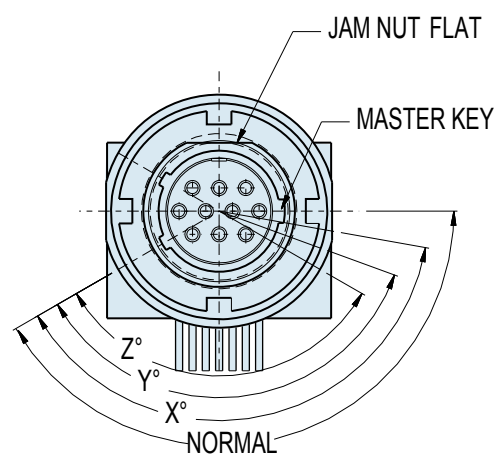
**Series 800 Mighty Mouse with UN Mating Thread
Right Angle PCB Receptacle Headers
800-032-07 Face View**

FACE VIEWS OF RIGHT ANGLE PCB HEADERS

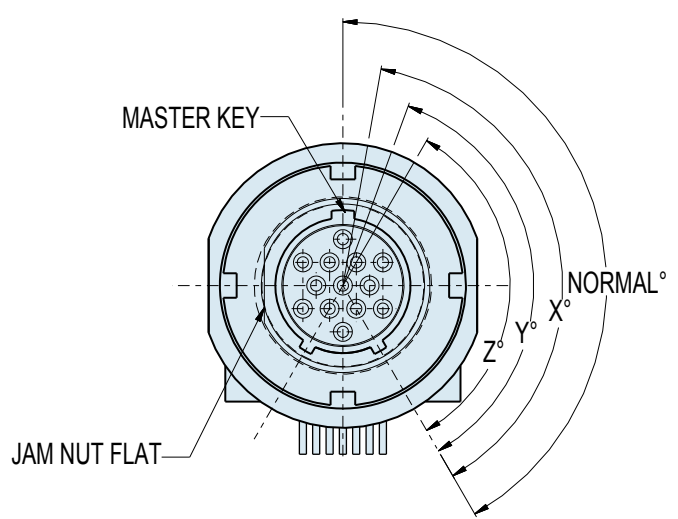
KEY POSITIONS	
Key Position	Key Rotation
Normal (N)	150°
X	140°
Y	130°
Z	120°



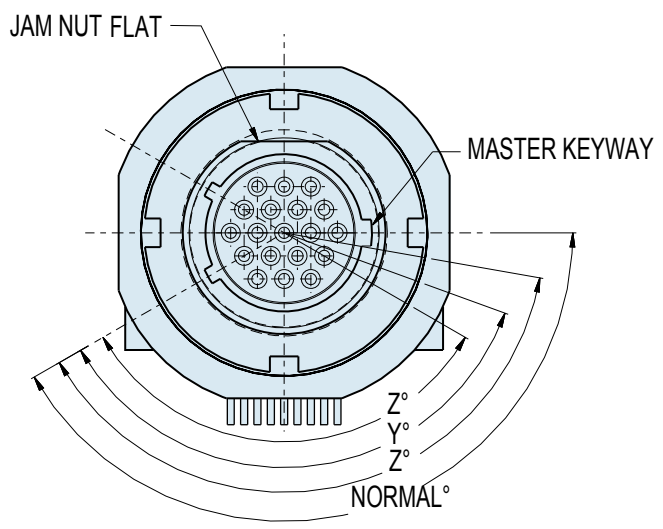
JAM NUT FLAT AND KEYWAY LOCATIONS
SHELL SIZE 5 AND 6
SOCKET FACE SHOWN



JAM NUT FLAT AND KEYWAY LOCATIONS
SHELL SIZE 7 10 POSITION
SOCKET FACE SHOWN



JAM NUT FLAT AND KEYWAY LOCATIONS
SHELL SIZE 8 13 POSITION
SOCKET FACE SHOWN



JAM NUT FLAT AND KEYWAY LOCATIONS
SHELL SIZE 9 19 POSITION
SOCKET FACE SHOWN

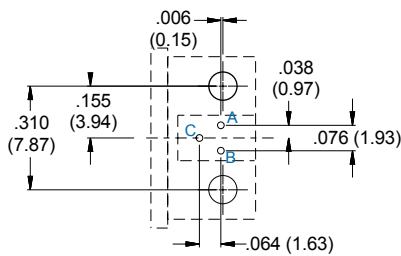
Dimensions in inches (millimeters) and are subject to change without notice.

Series 800 Mighty Mouse with UN Mating Thread Right Angle PCB Receptacle Headers 800-032 PCB Mounting Footprints

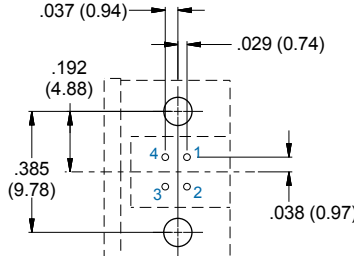


RIGHT ANGLE PCB FOOTPRINTS: PIN CONNECTORS

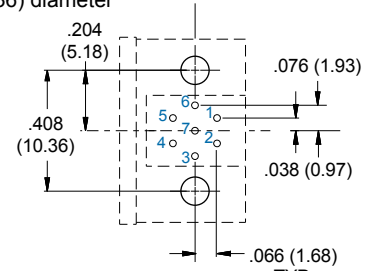
Patterns shown are for component mounting side of PCB.
Contacts are .022 (0.56) max. diameter, mounting holes are .093 (2.36) diameter



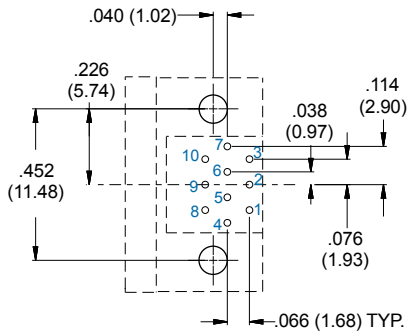
5-3P



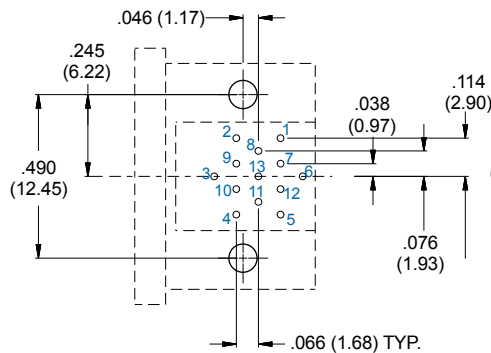
6-4P



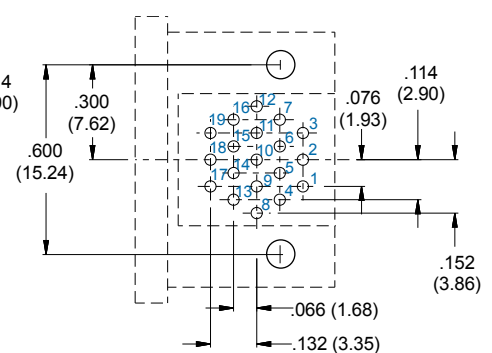
6-7P



7-10P



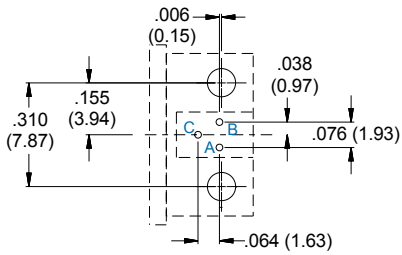
8-13P



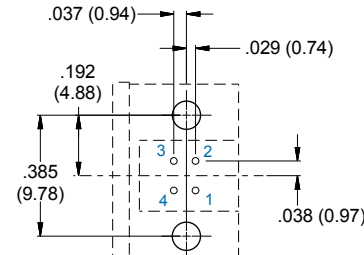
9-19P

RIGHT ANGLE PCB FOOTPRINTS: SOCKET CONNECTORS

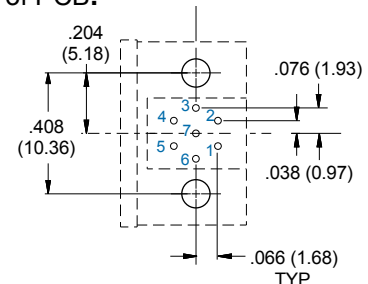
Patterns shown are for component mounting side of PCB.



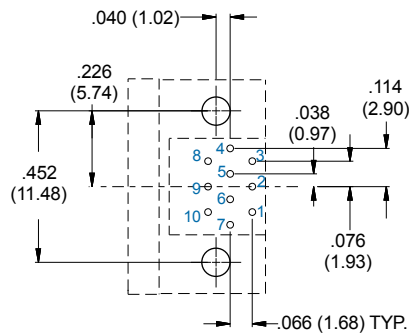
5-3S



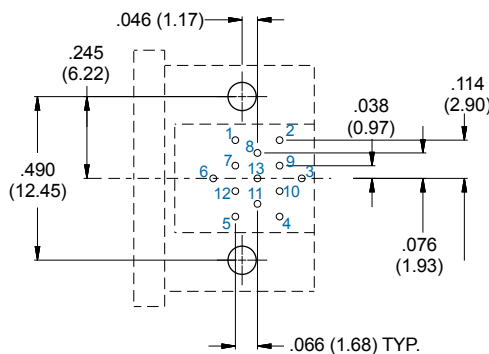
6-4S



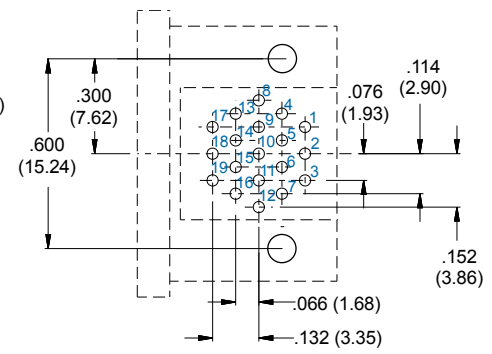
6-7S



7-10S



8-13S



9-19S

Dimensions in inches (millimeters) and are subject to change without notice.

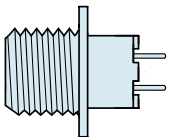
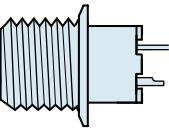
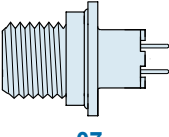


Series 800 Hermetic

Compact, rugged Series 800 hermetic receptacles feature 304L stainless steel shells and vitreous glass insulators. Contacts are gold-plated iron alloy. UN mating thread. Available with male pin contacts (contact Glenair for hermetic connectors with female socket contacts). 100% helium leak tested to meet 1×10^{-7} cc/second maximum leak rate. 1000 psi open face (unmated) pressure rating. Contacts are factory-installed and are non-removable. Terminate to wires with solder cup versions, or choose PC tail versions for thru-hole soldering to rigid or flexible circuit boards. Available in 31 contact arrangements from shell size 5 to 12. Contact sizes 12, 16, 20, 20HD and 23.

HOW TO ORDER

Sample Part Number

800-013	-07	Z1	7-10	P	Z
Series	Shell Style	Shell Material / Finish	Shell Size- Insert Arrangement	Contact Type	Shell Key Position
800-013 Hermetic Receptacle	 -02 Square Flange	Z1 Stainless Steel / Passivated ZL Stainless Steel / Nickel Plated	SEE CONTACT ARRANGEMENTS PAGE C-2	P Pin, Solder Cup C Pin, PC Tail S Socket, Solder Cup D Sockets, PC Tail	N Normal X Pos. X Y Pos. Y Z Pos. Z
	 -03 Solder Mount				
	 -07 Jam Nut				

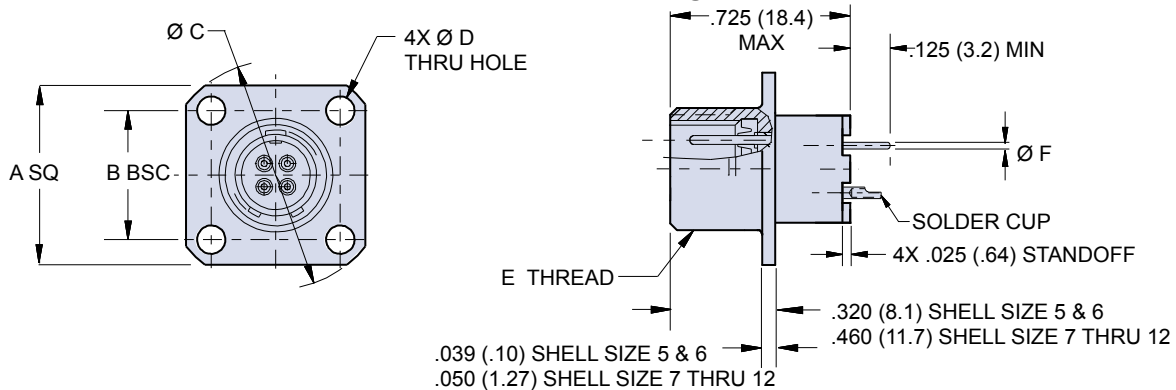
Dimensions in inches (millimeters) and are subject to change without notice.

Series 800 Mighty Mouse with UN Mating Thread Hermetic Connector Dimensions

800-013-02 and 800-013-03



800-013-02 Square Flange Dimensions



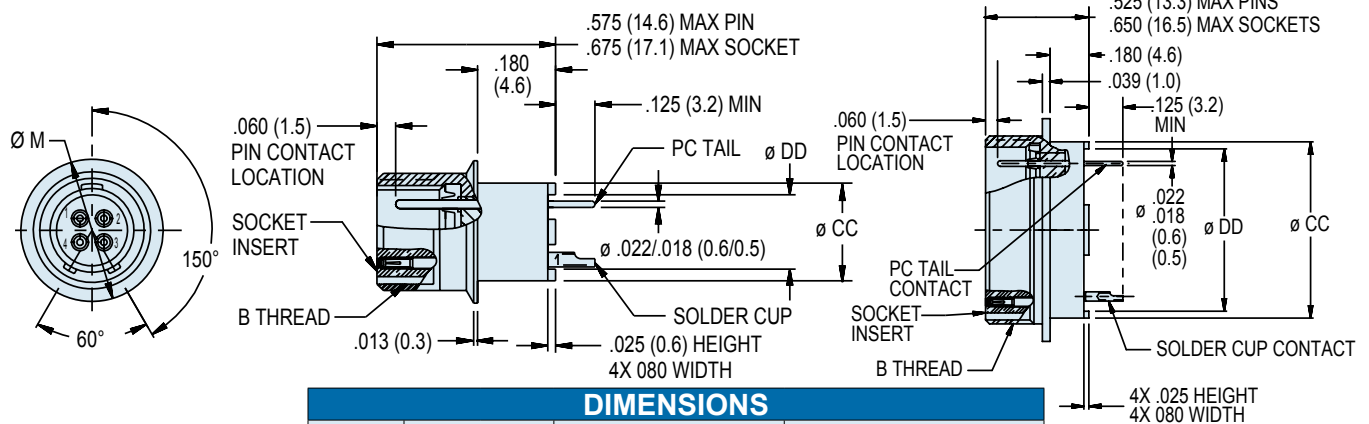
800-013-02 SQUARE FLANGE HERMETIC RECEPTACLE DIMENSIONS

Shell Size	A SQ		B BSC		Ø C		Ø D		E Threads Mating	Ø F PC TAIL DIA. ± .002 (0.05)
	In.	mm.	In.	mm.	In.	mm.	In. ± .005	mm. ± 0.13		
5	.527	13.39	.363	9.22	.680	17.27	.094	2.39	.3125-28 UN-2A	Size #23 .020 (0.51) Size #20 .026 (0.66) Size #16 .062 (1.57) Size #12 .094 (2.34)
6	.588	14.92	.423	10.74	.750	19.05			.5000-32 UN-2A	
7	.650	16.51	.483	12.27	.830	21.08	.096	2.44	.4375-28 UNEF-2A	
8	.710	18.03	.542	13.77	.938	23.83	.091	2.31	.5000-32 UN-2A	
9	.938	23.83	.719	18.26	1.250	31.75			.5625-32 UN-2A	
10	.938	23.83	.719	18.26	1.250	31.75	.130	3.30	.6250-32 UN-2A	
12	1.031	26.19	.812	20.62	1.375	34.93			.7500-28 UN-2A	

800-013-03 Solder Mount Dimensions

Shell Size 5 and 6

Shell Size 7 thru 12



DIMENSIONS

Shell Size	Ø A		B Threads	Ø C PC TAIL DIA. ± .002 (0.05)
	In.	mm.		
5	.400	10.16	.3125-28 UN-2A	Size #22 .020 (0.51) Size #20 .026 (0.66) Size #16 .062 (1.57) Size #12 .094 (2.34)
6	.455	11.56	.3750-28 UN-2A	
7	.520	13.21	.4375-28 UNEF-2A	
8	.650	16.51	.5000-32 UN-2A	
9	.764	19.41	.5625-32 UN-2A	
10	.775	19.69	.6250-32 UN-2A	
12	.858	21.79	.7500-28 UN-2A	

Dimensions in inches (millimeters) and are subject to change without notice.

CAGE Code 06324

Printed in U.S.A.

© 2010 Glenair, Inc.

GLENAIR, INC. • 1211 AIR WAY • GLENDALE, CA 91201-2497 • 818-247-6000 • FAX 818-500-9912

www.glenair.com

C-19

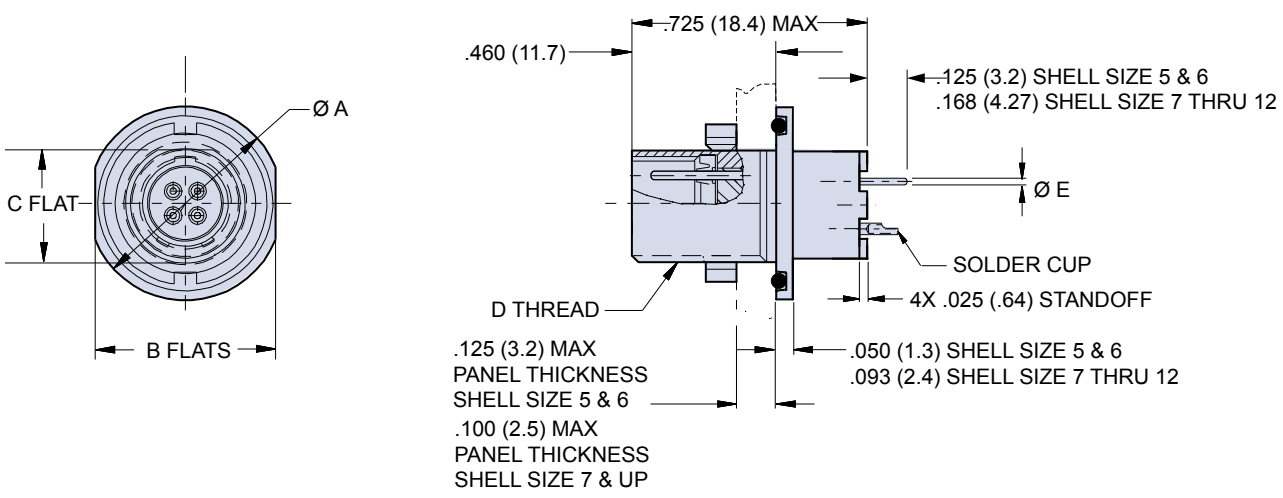
E-Mail: sales@glenair.com

7 - MARCH - 2013



Series 800 Mighty Mouse with UN Mating Thread Hermetic Connector Dimensions

800-013-07 Jam Nut



DIMENSIONS								
Shell Size	$\varnothing A$		$\varnothing B$		C		D Threads Mating	$\varnothing E$ $\pm .002 (0.05)$
	In.	mm.	In.	mm.	In.	mm.		
5	.541	13.74	.500	12.70	.285	7.24	.3125-28 UN-2A	Size #22 .020 (0.51) Size #20 .026 (0.66) Size #16 .062 (1.57) Size #12 .094 (2.34)
6	.610	15.49	.562	14.27	.352	8.94	.3750-28 UN-2A	
7	.670	17.02	.635	16.13	.411	10.44	.4375-28 UNEF-2A	
8	.775	19.69	.735	18.67	.473	12.01	.5000-32 UN-2A	
9	.875	22.23	.806	20.47	.530	13.46	.5625-32 UN-2A	
10	.980	24.89	.940	23.88	.604	15.34	.6250-32 UN-2A	
12	1.062	26.97	.986	25.04	.712	18.08	.7500-28 UN-2A	

SERIES 800 KEY POSITIONS	
<p style="text-align: center;">Plug</p>	<p style="text-align: center;">Receptacle</p>
Key Position	Key Rotation
Normal (N)	150°
X	140°
Y	130°
Z	120°

Shell size 5 and 6: master key is located at top dead center for normal (N) position. Shell size 7 thru 12: master key is rotated 90° from TDC.

SERIES 800 PANEL CUTOUTS				
Shell Size	A Flat		$\varnothing B$	
	In.	mm.	In.	mm.
5	.295/.299	7.49/7.59	.317/.327	8.05/8.30
6	.358/.362	9.09/9.19	.380/.390	9.65/9.91
7	.424/.428	10.77/10.87	.442/.452	11.23/11.48
8	.479/.483	12.16/12.26	.505/.515	12.83/13.08
9	.537/.541	13.64/13.74	.567/.577	14.40/14.66
10	.610/.614	15.49/15.59	.630/.640	16.00/16.26
12	.717/.721	18.21/18.31	.755/.765	19.18/19.43

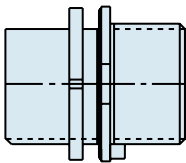
Dimensions in inches (millimeters) and are subject to change without notice.

**Series 800 Mighty Mouse with UN Mating Thread
Bulkhead Feedthrough Receptacle Connector
800-060-07 Jam Nut**



Series 800 Feedthrough

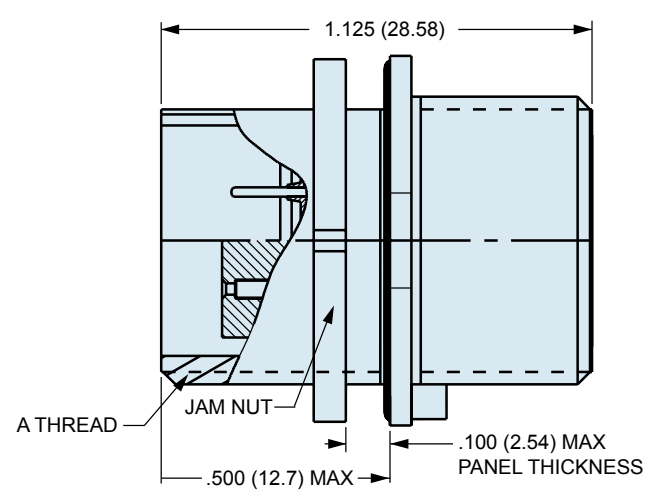
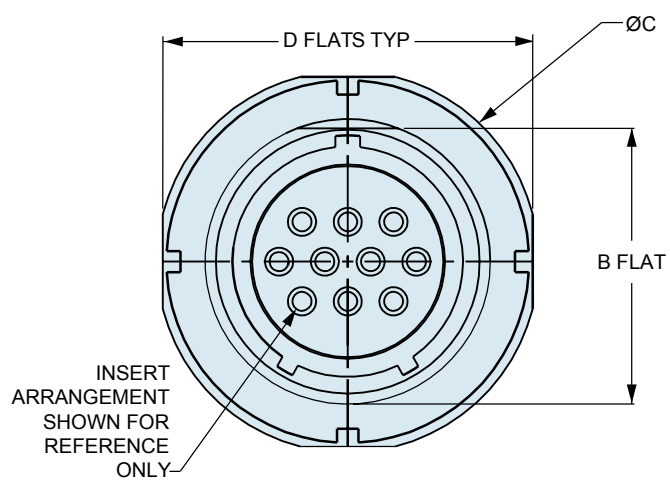
This series 800 bulkhead feedthrough receptacle is available in shell sizes 5 to 15 and mates with all high density plug connectors with the same polarization and opposite contact genders (800-005, 800-007, 800-008, and 800-009). Copper alloy gold-plated contacts, pins to pin, pin to plug or plug to plug. Your choice of standard aluminum alloy or stainless steel and seven standard finishes (see below). Please contact the factory for other materials and finishes. UN mating thread.

HOW TO ORDER						
Sample Part Number						
800-060	-07	M	6-7	P	P	N
Series	Shell Style	Shell Material / Finish	Shell Size- Insert Arrangement	Contact Type Jam Nut Side	Contact Type Other Side	Shell Key Position
800-060 Feedthrough Receptacle Jam Nut Mount	 -07 Jam Nut	C Aluminum / Black Anodize (Non-Conductive) RoHS Compliant	SEE CONTACT ARRANGEMENTS PAGE C-2	P Pin	P Pin	
		S Socket		S Socket		
		M Aluminum / Electroless Nickel RoHS Compliant				
		NF Aluminum / Cadmium with Olive Drab Chromate				
		ZN Aluminum / Zinc-Nickel with Olive Drab Chromate				
		ZNU Aluminum / Zinc-Nickel with Black Chromate				
		MT Aluminum / Nickel-PTFE RoHS Compliant				
Z1 Stainless Steel / Passivated RoHS Compliant						

Dimensions in inches (millimeters) and are subject to change without notice.

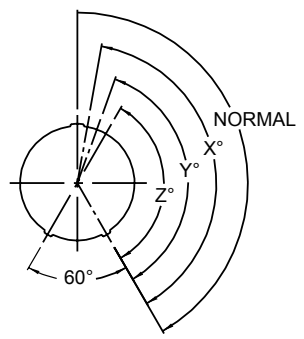


Series 800 Mighty Mouse with UN Mating Thread Bulkhead Feedthrough Receptacle Connector
800-060-07 Jam Nut

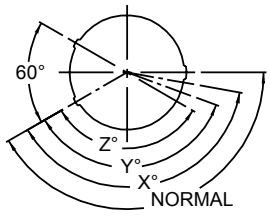


DIMENSIONS							
Shell Size	A Thread	B Flat		Ø C		D Flat	
		In.	mm.	In.	mm.	In.	mm.
5	.3125-28 UN-2A	.289	7.34	.538	13.67	.497	12.62
6	.3750-28 UN-2A	.352	8.94	.602	15.29	.559	14.20
7	.4375-28 UNEF-2A	.418	10.62	.664	16.87	.643	16.33
8	.5000-32 UN-2A	.473	12.01	.770	19.56	.731	18.57
9	.5625-32 UN-2A	.530	13.46	.872	22.15	.803	20.40
10	.6250-32 UN-2A	.604	15.34	.975	24.77	.940	23.88
12	.7500-28 UN-2A	.712	18.08	1.062	26.97	.986	25.04
14	.8750-28 UN-2A	.845	21.46	1.218	30.94	1.144	29.06
15	.9375-28 UN-2A	.908	23.06	1.245	31.62	1.187	30.15

SERIES 800 KEY POSITIONS



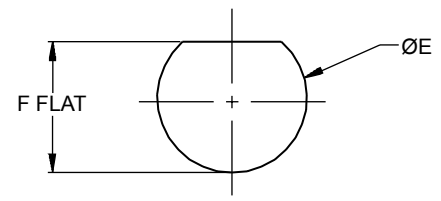
MASTER KEYWAY POSITION SIZES 5 THROUGH 6



MASTER KEYWAY POSITION SIZES 7 THROUGH 15

Key Position	Key Rotation
Normal (N)	150°
X	140°
Y	130°
Z	120°

SERIES 800 PANEL CUTOUTS



Shell Size	F Flat		ØE	
	In.	mm.	In.	mm.
5	.299/.295	7.59/7.49	.323	8.20
6	.362/.358	9.19/9.09	.385	9.78
7	.428/.424	10.87/10.77	.448	11.38
8	.483/.479	12.27/12.16	.510	12.95
9	.540/.536	13.72/13.61	.573	14.55
10	.614/.610	15.60/15.49	.635	16.13
12	.722/.718	18.34/18.24	.760	19.30
14	.856/.852	21.74/21.64	.885	22.48
15	.918/.914	23.32/23.22	.948	24.08

Dimensions in inches (millimeters) and are subject to change without notice.

Series 800 Mighty Mouse with UN Mating Thread Overmolded Cordsets

800-034



Series 800



Abrasion-Resistant Polyurethane Jacket provides cold temperature flexibility and high strength. Low smoke/zero halogen material meets requirements for low toxicity.

90% Tinned Copper Braid is terminated directly to connector with stainless steel **BAND-IT®** strap.

Watertight Overmold provides strain relief and protection.

C

Series 800 Harsh Environment Shielded Cordsets

These overmolded cordsets withstand abrasion and chemical exposure. Low smoke zero halogen jacket reduces the amount of toxic and corrosive gasses emitted during combustion. Cable construction features silver coated stranded conductors with TFE insulation, tinned copper braid shield and extruded polyurethane jacket. Choose single-ended pigtails or double-ended "back-to-back" versions. Braid shield is attached directly to connector with **BAND-IT®** straps. Semi-rigid polyamide overmold provides strain relief and environmental sealing.

Series 801 cordsets are now available with size #20HD, #16 and #12 contacts. Ordering information is found on the following pages.

HARSH ENVIRONMENT CORDSET SPECIFICATIONS

Cable Jacket Material	Thermoplastic Polyurethane, Black, Low-Smoke, Zero-Halogen
Cable Shield	Tin-Coated Copper Braid, 90% Minimum Coverage
Conductors	Silver Coated Stranded Wire, TFE Insulated, Per M22759/11
BAND-IT® Shield Termination Band	Stainless Steel
Current Rating	#23 5 Amps, #20HD 7.5 Amps, #16 13 Amps, #12 23 Amps
Test Voltage (Dielectric Withstanding Voltage)	#23 500 VAC, #20HD 750 VAC, #16 and #12 1800 VAC Sea Level
Insulation Resistance	200 megohms minimum
Operating Temperature	-30° C. to +105° C.
Solvent Resistance, Polyamide Overmold	Excellent Resistance to Most Solvents, Fuels, and Oils; Poor Resistance to Strong Acids and Bipolar Solvents (Alcohol)
Shielding Effectiveness	50 dB minimum from 100MHz to 1000MHz.
Cable jacket Flammability and Toxicity	Toxicity Index 3.9 per NES 713 Oxygen Index 28% per ASTM D-2863 Smoke Index 24 per NES 711

Dimensions in inches (millimeters) and are subject to change without notice.

© 2010 Glenair, Inc.

CAGE Code 06324

Printed in U.S.A.

GLEN AIR, INC. • 1211 AIR WAY • GLENDALE, CA 91201-2497 • 818-247-6000 • FAX 818-500-9912

www.glenair.com

C-23

E-Mail: sales@glenair.com

7 - MARCH - 2013



Series 800 Mighty Mouse with UN Mating Thread Overmolded Cordsets

800-034 and 800-041

SERIES 800 CORDSETS WITH #23 CONTACTS

Sample Part Number

800-034	-A	C	K	0	M	8-28	N	A	-36
Series	End A Connector	End B Connector	Plug Style	Wire Size	Shell Material / Finish	Insert Arr.	Protective Cover	Shell Key Pos.	Length
800-034 Overmolded Cordset, with Size #23 Contacts	-A Plug, with Male Pin Contacts	A Plug, with Male Pin Contacts	K Round Knurled Coupling Nut	2 #22 AWG	M Aluminum / Electroless Nickel	5-3 6-4	P Metal Protective Covers Included	N Normal	Overall Length In Inches 12 Inch Min.
	-B Plug, with Female Socket Contacts	B Plug, with Female Socket Contacts	KL Round Knurled Coupling Nut, Self-Locking	4 #24 AWG	NF Aluminum / Cadmium with OD Chromate	6-6 6-7	N No Covers Supplied	X Pos. X	
	-C Receptacle, with Male Pin Contacts	C Receptacle, with Male Pin Contacts	H Hex Coupling Nut		ZNU Aluminum / Zinc- Nickel with Black Chromate	7-10 8-13		Y Pos. Y	
	-D Receptacle, with Female Socket Contacts	D Receptacle, with Female Socket Contacts	HL Hex Coupling Nut, Self- Locking		MT Aluminum / Nickel- PTFE	9-19 10-26		Z Pos. Z	
	-D Receptacle, with Female Socket Contacts	N No Connector (Single-Ended)	N Receptacle Cable		Z1 Stainless Steel / Passivated	12-37			

SERIES 800 CORDSETS WITH #20HD CONTACTS

Sample Part Number

800-041	-A	C	K	0	M	8-28	N	A	-36
Series	End A Connector	End B Connector	Plug Style	Wire Size	Shell Material / Finish	Insert Arr.	Protective Cover	Shell Key Pos.	Length
800-041 Overmolded Cordset, with Size #23 Contacts	-A Plug, with Male Pin Contacts	A Plug, with Male Pin Contacts	K Round Knurled Coupling Nut	0 #20 AWG	M Aluminum / Electroless Nickel	6-23 7-25	P Metal Protective Covers Included	N Normal	Overall Length In Inches 12 Inch Min.
	-B Plug, with Female Socket Contacts	B Plug, with Female Socket Contacts	KL Round Knurled Coupling Nut, Self-Locking	2 #22 AWG	NF Aluminum / Cadmium with OD Chromate	8-28 9-210 12-220	N No Covers Supplied	X Pos. X	
	-C Receptacle, with Male Pin Contacts	C Receptacle, with Male Pin Contacts	H Hex Coupling Nut		ZNU Aluminum / Zinc- Nickel with Black Chromate			Y Pos. Y	
	-D Receptacle, with Female Socket Contacts	D Receptacle, with Female Socket Contacts	HL Hex Coupling Nut, Self- Locking		MT Aluminum / Nickel- PTFE			Z Pos. Z	
	-D Receptacle, with Female Socket Contacts	N No Connector (Single-Ended)	N Receptacle Cable		Z1 Stainless Steel / Passivated				

Dimensions in inches (millimeters) and are subject to change without notice.

CAGE Code 06324

Printed in U.S.A.

© 2010 Glenair, Inc.

GLENAIR, INC. • 1211 AIR WAY • GLENDALE, CA 91201-2497 • 818-247-6000 • FAX 818-500-9912

www.glenair.com

C-24

E-Mail: sales@glenair.com

7 - MARCH - 2013

**Series 800 Mighty Mouse with UN Mating Thread
Overmolded Cordsets**
800-038 AND 800-039



SERIES 800 CORDSETS WITH #16 POWER CONTACTS

Sample Part Number

800-038	-A	C	K	6	M	8-2	N	A	-36
Series	End A Connector	End B Connector	Plug Style	Wire Size	Shell Material / Finish	Insert Arr.	Protective Cover	Shell Key Pos.	Length
800-038 Overmolded Cordset, with Size #16 Contacts	-A Plug, with Male Pin Contacts	A Plug, with Male Pin Contacts	K Round Knurled Coupling Nut	6 #16 AWG	M Aluminum / Electroless Nickel	6-1 8-2	P Metal Protective Covers Included	N Normal	Overall Length In Inches 12 Inch Min.
	-B Plug, with Female Socket Contacts	B Plug, with Female Socket Contacts	KL Round Knurled Coupling Nut, Self-Locking	8 #18 AWG	NF Aluminum / Cadmium with OD Chromate	9-4 10-5 12-7	N No Covers Supplied	X Pos. X	
	-C Receptacle, with Male Pin Contacts	C Receptacle, with Male Pin Contacts	H Hex Coupling Nut		ZNU Aluminum / Zinc- Nickel with Black Chromate			Y Pos. Y	
	-D Receptacle, with Female Socket Contacts	D Receptacle, with Female Socket Contacts	HL Hex Coupling Nut, Self- Locking		MT Aluminum / Nickel- PTFE			Z Pos. Z	
	N No Connector (Single-Ended)	N No Connector (Single-Ended)	N Receptacle Cable		Z1 Stainless Steel / Passivated				

SERIES 800 CORDSETS WITH #12 POWER CONTACTS

Sample Part Number

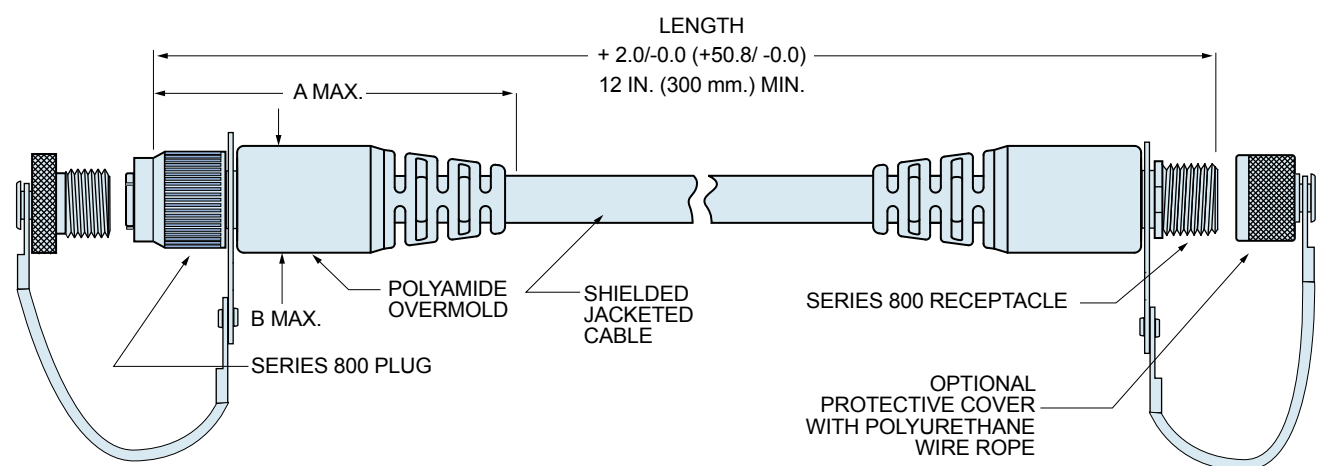
800-039	-A	C	K	6	M	8-2	N	A	-36
Series	End A Connector	End B Connector	Plug Style	Wire Size	Shell Material / Finish	Insert Arr.	Protective Cover	Shell Key Pos.	Length
800-039 Overmolded Cordset, with Size #12 Contacts	-A Plug, with Male Pin Contacts	A Plug, with Male Pin Contacts	K Round Knurled Coupling Nut	2 #12 AWG	M Aluminum / Electroless Nickel	7-1 10-2	P Metal Protective Covers Included	N Normal	Overall Length In Inches 12 Inch Min.
	-B Plug, with Female Socket Contacts	B Plug, with Female Socket Contacts	KL Round Knurled Coupling Nut, Self-Locking	4 #14 AWG	NF Aluminum / Cadmium with OD Chromate	12-2 12-3	N No Covers Supplied	X Pos. X	
	-C Receptacle, with Male Pin Contacts	C Receptacle, with Male Pin Contacts	H Hex Coupling Nut		ZNU Aluminum / Zinc- Nickel with Black Chromate			Y Pos. Y	
	-D Receptacle, with Female Socket Contacts	D Receptacle, with Female Socket Contacts	HL Hex Coupling Nut, Self- Locking		MT Aluminum / Nickel- PTFE			Z Pos. Z	
	N No Connector (Single-Ended)	N No Connector (Single-Ended)	N Receptacle Cable		Z1 Stainless Steel / Passivated				

Dimensions in inches (millimeters) and are subject to change without notice.

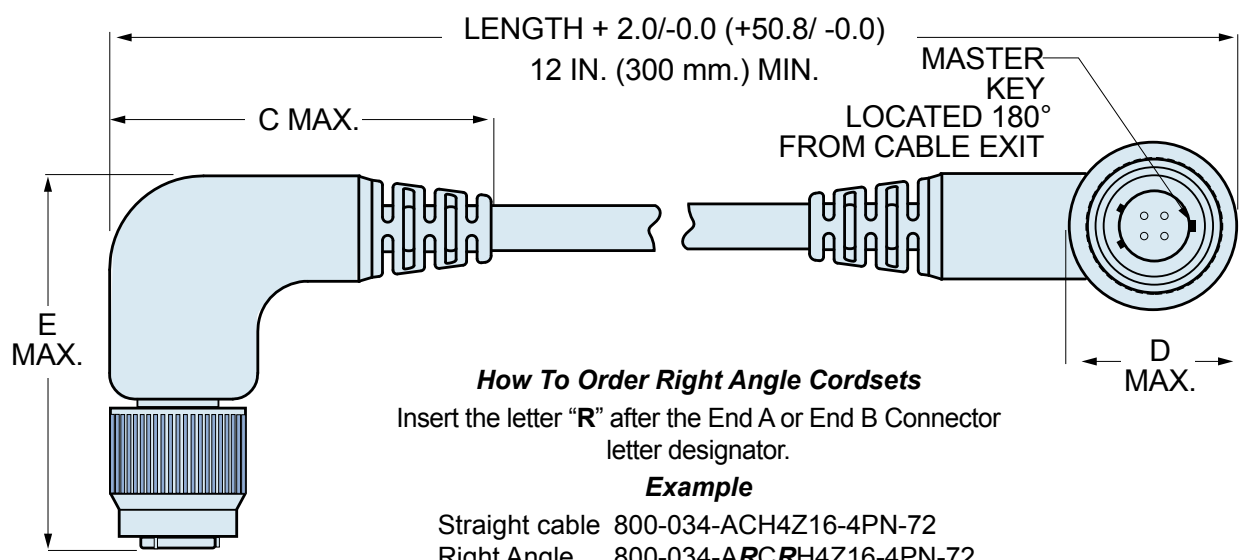


Series 800 Mighty Mouse with UN Mating Thread Overmolded Cordsets

Dimensions



RIGHT ANGLE CORDSETS



How To Order Right Angle Cordsets
 Insert the letter "R" after the End A or End B Connector letter designator.
Example
 Straight cable 800-034-ACH4Z16-4PN-72
 Right Angle 800-034-ARCRH4Z16-4PN-72

DIMENSIONS										
Shell Size	A Max.		B Max.		C Max.		D Max.		E Max.	
	In.	mm.	In.	mm.	In.	mm.	In.	mm.	In.	mm.
5	2.15	54.61	0.6	15.24	1.5	38.1	0.6	15.24	1.85	46.99
6	2.15	54.61	0.6	15.24	1.5	38.1	0.6	15.24	1.85	46.99
7	2.15	54.61	0.7	17.78	1.5	38.1	0.7	17.78	2.05	52.07
8	2.25	57.15	0.75	19.05	1.6	40.64	0.75	19.05	2.15	54.61
9	2.55	64.77	0.85	21.59	1.9	48.26	0.85	21.59	2.35	59.69
10	2.55	64.77	0.85	21.59	1.9	48.26	0.85	21.59	2.35	59.69
12	2.85	72.39	1.1	27.94	2.2	55.88	1.1	27.94	2.85	72.39

Dimensions in inches (millimeters) and are subject to change without notice.
 CAGE Code 06324

Printed in U.S.A.

GLENAIR, INC. • 1211 AIR WAY • GLENDALE, CA 91201-2497 • 818-247-6000 • FAX 818-500-9912

www.glenair.com

C-26

E-Mail: sales@glenair.com

Series 800 Mighty Mouse with UN Mating Thread Metal Protective Covers

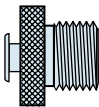
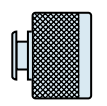

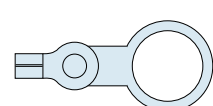
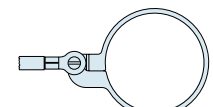
667-184 and 667-185



Receptacle Cover

Protective covers fit Series 800 plug and receptacle connectors. Aluminum or stainless steel. Silicone rubber gasket protects connector from contamination and water ingress. Attach to panel or cable with a variety of lanyards and fittings. Lanyard styles include braided nylon rope, stainless steel wire or sash chain. Stainless steel wire available with flexible, rugged polyurethane coating or Teflon sleeving for high temperature requirements.

HOW TO ORDER SERIES 800 PROTECTIVE COVERS

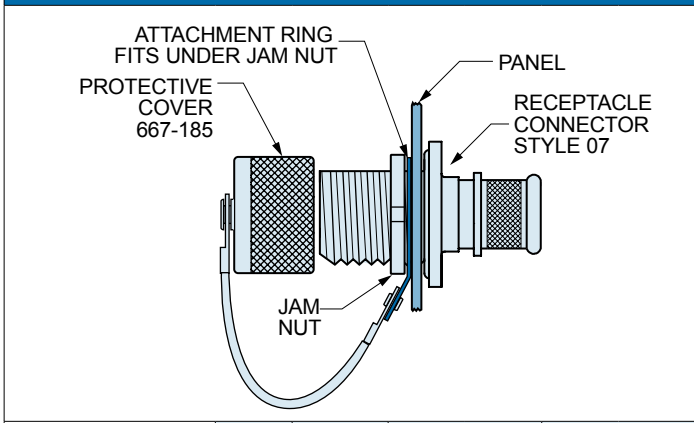
Sample Part Number						
667-184	-M	G	9	04	-6	
Series	Shell Material/ Finish	Attachment Type	Shell Size	Attachment Code	Attachment Length in Inches	
 <p>667-184 Protective Cover for use with Series 800 Plugs</p>  <p>667-185 Protective Cover for use with Series 800 Receptacles</p>	<p>C Aluminum / Black Anodize (Non-Conductive) RoHS Compliant</p> <p>M Aluminum / Electroless Nickel RoHS Compliant</p> <p>NF Aluminum / Cadmium with Olive Drab Chromate</p> <p>ZN Aluminum / Zinc-Nickel with Olive Drab Chromate</p> <p>ZNU Aluminum / Zinc-Nickel with Black Chromate</p> <p>MT Aluminum / Nickel-PTFE RoHS Compliant</p> <p>Z1 Stainless Steel / Passivated RoHS Compliant</p>	<p>G Nylon Rope</p> <p>H SST Wire Rope, Teflon® Jacket</p> <p>N No Attachment</p> <p>S SST Sash Chain</p> <p>SK Nylon Rope With Slip Knot</p> <p>T SST Wire Rope, No Jacket</p> <p>U SST Wire Rope, Polyurethane Jacket</p> <p>"SST" = Stainless Steel</p>	<p>5</p> <p>6</p> <p>7</p> <p>8</p> <p>9</p> <p>10</p> <p>12</p>	<p>Omit for attachment Types N (No Attachment) and SK (Slip Knot)</p>	<p>Omit for attachment Type N (No Attachment)</p> <p>Example "-6" equals six inch length</p>	
				 <p>Small Ring</p>		<p>01 - .126 (3.20) I.D.</p> <p>02 - .145 (3.68) I.D.</p> <p>04 - .188 (4.78) I.D.</p> <p>06 - .197 (5.00) I.D.</p>
				 <p>Large Ring</p>		<p>14 - .385 (9.78) I.D.</p> <p>15 - .445 (11.30) I.D.</p> <p>16 - .570 (14.48) I.D.</p> <p>17 - .635 (16.13) I.D.</p> <p>18 - .695 (17.65) I.D.</p> <p>19 - .885 (22.48) I.D.</p> <p>20 - 1.070 (27.17) I.D.</p>
				 <p>Split Ring</p>		<p>50 - .420 (10.67) I.D.</p> <p>52 - .480 (12.19) I.D.</p> <p>54 - .635 (16.13) I.D.</p> <p>56 - .745 (18.92) I.D.</p> <p>58 - .885 (22.48) I.D.</p> <p>60 - 1.010 (25.65) I.D.</p> <p>64 - 1.125 (28.58) I.D.</p> <p>68 - 1.345 (34.16) I.D.</p>

Dimensions in inches (millimeters) and are subject to change without notice.



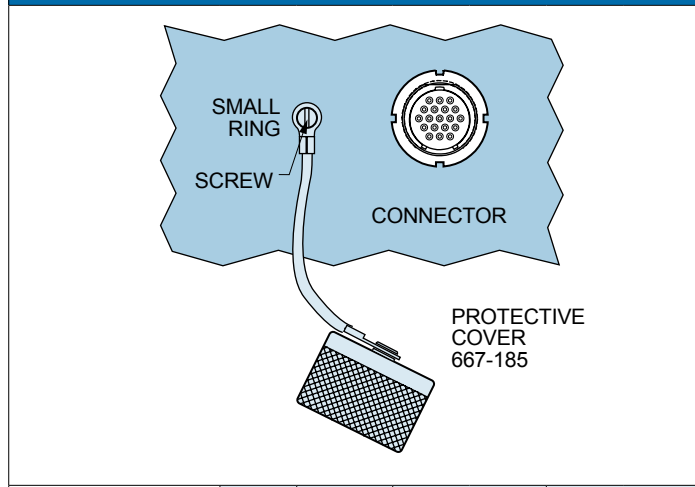
**Series 800 Mighty Mouse with UN Mating Thread
Metal Protective Covers**
667-184 and 667-185

Attaching a 667-185 Receptacle Cover to a Rear Panel Mounted Jam Nut Receptacle



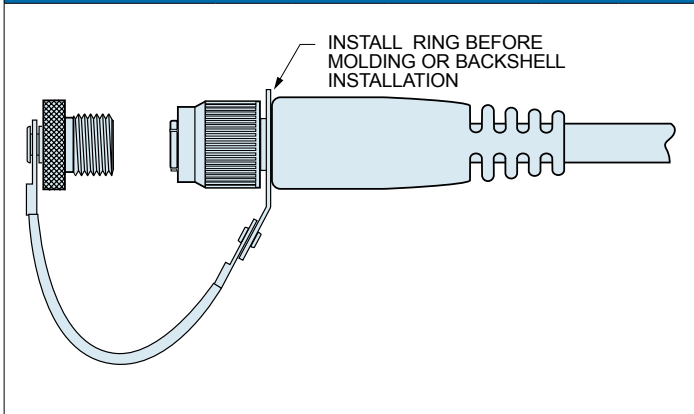
Solid Ring	Dia. Code	Shell Size	Ring I.D.		Ring O.D.	
			In.	mm.	In.	mm.
			± .010	±0.25	± .015	± 0.38
14	5, 6	.385	9.78	.510	12.95	
15	7	.445	11.30	.565	14.35	
16	8	.570	14.48	.685	17.40	
17	9	.635	16.13	.760	19.30	
18	10	.695	17.65	.820	20.82	
19	12	.885	22.48	1.010	25.65	

Attaching a 667-185 Receptacle Cover to a Panel With a Screw



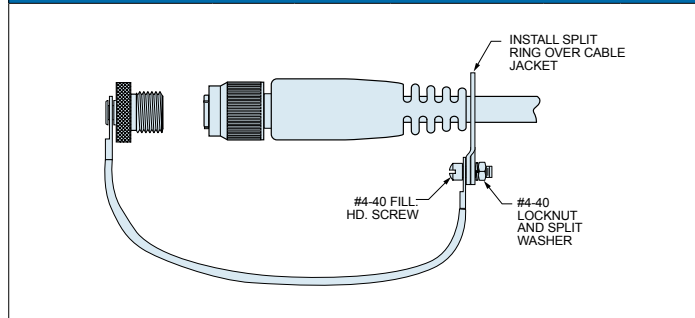
Small Ring for Attaching Receptacle Covers to a Panel with a Screw	Dia. Code	Screw Size	Ring I.D.		Ring O.D.	
			In.	mm.	In.	mm.
			±.005	±0.13	Max.	Max.
01	#4, M3	.126	3.20	.31	7.9	
02	#6	.145	3.68	.31	7.9	
04	#8, M4	.188	4.78	.31	7.9	
06	#10	.197	5.00	.31	7.9	

Attaching a Cover to a Cable Assembly With a Solid Ring



Solid Ring	Dia. Code	Shell Size	Ring I.D.		Ring O.D.	
			In.	mm.	In.	mm.
			± .010	±0.25	± .015	± 0.38
14	5,6	.385	9.78	.510	12.95	
15	7	.445	11.30	.565	14.35	
16	8, 9	.570	14.48	.685	17.40	
18	10, 13	.695	17.65	.820	20.82	
20	16, 17	1.070	27.17	1.195	30.35	

Attaching a Cover to a Cable Using a Split Ring or Slip Knot

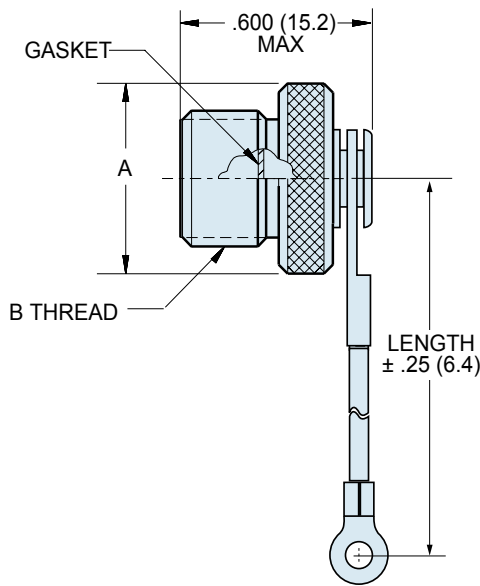


Large Split Ring for Attaching Covers to Cables	Dia. Code	Max. Cable Dia. (in.)	Ring Diameter			
			Min. ID		Max. OD	
			In.	mm.	In.	mm.
50	.410	.420	10.67	.580	14.73	
52	.470	.480	12.19	.640	16.26	
54	.625	.635	16.13	.796	20.22	
56	.735	.745	18.92	.905	22.99	
58	.875	.885	22.48	1.046	26.57	
60	1.000	1.010	25.65	1.171	29.74	
64	1.115	1.125	28.58	1.285	32.64	
68	1.335	1.345	34.16	1.505	38.23	

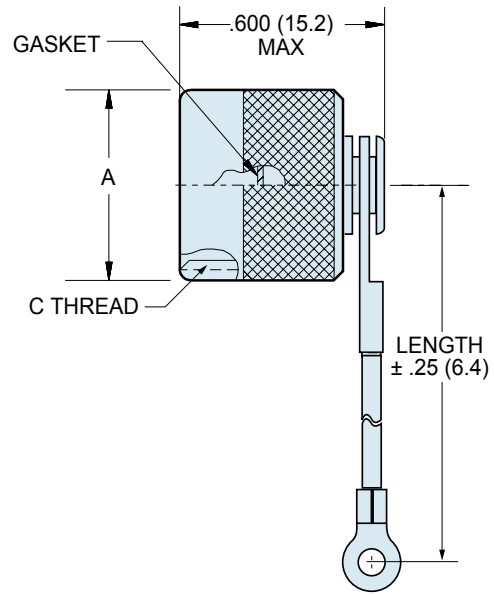
Dimensions in inches (millimeters) and are subject to change without notice.

Series 800 Mighty Mouse with UN Mating Thread Metal Protective Cover Dimensions

667-184 and 667-185



667-184 Plug Cover








667-185 Receptacle Cover

Shell Size	A Max.		B	C
	In.	mm.		
5	.462	11.73	.3125-28 UN-2A	.3125-28 UN-2B
6	.525	10.80	.3750-28 UN-2A	.3750-28 UN-2B
7	.588	14.94	.4375-28 UNEF-2A	.4375-28 UNEF-2B
8	.650	16.51	.5000-32 UN-2A	.5000-32 UN-2B
9	.713	18.11	.5625-32 UN-2A	.5625-32 UN-2B
10	.838	21.29	.6250-32 UN-2A	.6250-32 UN-2B
12	.900	22.86	.7500-28 UN-2A	.7500-28 UN-2B

MATERIALS AND FINISHES

Cover	Aluminum alloy per ASTM B211, or stainless steel per AMS-QQ-S-763
Gasket	Silicone rubber
Wire, Hardware	Stainless steel, passivated

LANYARD OPTIONS

 Nylon Rope	-55° to +100°C., black, very flexible, very good abrasion resistance, good resistance to fuels, .120" (3mm) diameter
 Polyurethane Coated Wire Rope	Black polyurethane over stainless steel rope, -55° to +125°C., very flexible, excellent abrasion resistance, excellent resistance to fuels, .080" (2mm) diameter
 Teflon® Jacketed Wire Rope	Translucent FEP jacket over stainless steel, -55° to +200°C., fair flexibility, good abrasion resistance, .100" diameter
 Sash Chain	Stainless steel, #8 chain, .240" (6mm)
 Slip Knot (SK) for Attaching Covers to Cable	55° to +100°C., black, very flexible, very good abrasion resistance, good resistance to fuels, .120" (3mm) diameter. Length includes .5" (13mm) diameter loop.

Dimensions in inches (millimeters) and are subject to change without notice.

SERIES 80

INTEGRAL BAND PORCH

**Another Series 80 Mighty Mouse
Innovation—the Integral Band Porch—
Reduces Connector Package Size and
Weight and Eliminates the Cost and
Complexity of Add-On Accessories**



Glennair.

**Series 801 Mighty Mouse
Double-Start ACME Threads**
Table of Contents and Product Selection Guide



SERIES 801 DOUBLE-START PRODUCT SELECTION GUIDE

Plugs

Page D-6

801-007, 801-008



Series 801 Plugs

These connectors are supplied with crimp contacts. Two styles are available: integral band platform for direct attachment of the cable shield, or choose accessory threads for attachment of backshells or strain reliefs.

Crimp Receptacles

Page D-8

801-009, 801-010



Series 801 Crimp Receptacles

Jam nut, square flange and in-line versions. Integral shield termination platform or accessory threads. Contacts are crimp-type, and are packaged with the connector.

Solder Cup/PCB Receptacles

Page D-11

800-011, 801-033



Series 801 Receptacles With Solder Cup or PCB Termination

These panel mount connectors feature non-removable contacts. Choose printed circuit terminals solder cup contacts. Connectors are potted with epoxy for general purpose applications, or choose silicone-sealed, leak-tested versions for 1 meter water immersion.

Right Angle PCB Headers

Page D-14

801-023



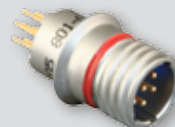
Series 801 Right Angle PCB Receptacles

Supplied with factory-installed, non-removable PC tail contacts for attachment to rigid boards or flex circuits. Epoxy-sealed, stainless steel threaded inserts.

Hermetic Receptacles

Page D-17

801-012



Series 801 Hermetic Receptacles

These stainless steel, glass-sealed connectors are available with solder cup or PC tail contacts. Choose jam nut, square flange or solder mount versions. Contacts are gold plated iron alloy. 100% tested to meet 1 X 10⁻⁶ cc/sec helium leakage. Open face pressure rating 1000 PSI.

Sav-Con®

Page D-21

801-017



Series 801 Sav-Con® Connector Savers

Protect expensive test equipment and cables with Glenair Sav-Con® connector savers. These plug/receptacle adapters feature non-removable contacts and a ratcheting coupling mechanism to prevent loosening under vibration.

Cordsets

Page D-23

801-026, 801-031,
801-032, 801-034



Series 801 Cordsets

Specify overmolded cordsets for optimum convenience and performance. Low smoke/zero halogen polyurethane jackets provide excellent all-weather cable protection.

Metal Covers

Page D-27

667-217, 667-218



Series 801 Metal Protective Covers

Thread-on metal covers provide a watertight seal and prevent damage. Select nylon cord or wire rope lanyards with a range of ring terminal diameters to fit just about any need.

Rubber Covers

Page D-30

809-190, 809-191



Series 801 Rubber Protective Covers

Splashproof rubber covers are ideal for tactical applications. These friction-fit neoprene caps attach to cable or chassis with nylon rope.

Dimensions in inches (millimeters) and are subject to change without notice.



Series 801 Mighty Mouse Double-Start ACME Threads Contact Arrangements

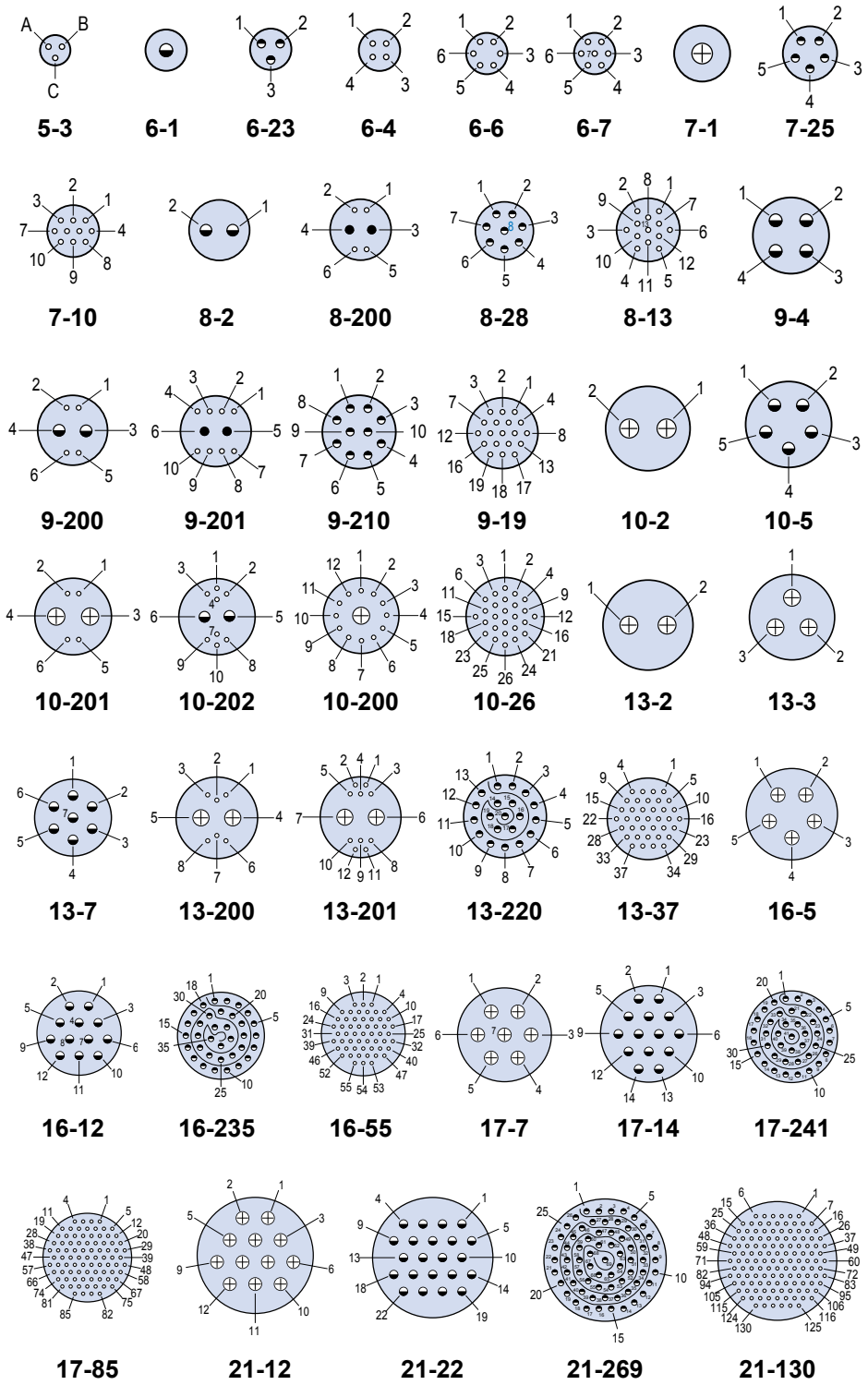
D

CONTACT ARRANGEMENTS

Contact Arr.	No. of Contacts				
	#23	#20	#20HD	#16	#12
5-3	3				
6-1				1	
6-23			3		
6-4	4				
6-6	6				
6-7	7				
7-1					1
7-25			5		
7-10	10				
8-2				2	
8-28			8		
8-13	13				
8-200	4	2			
9-4				4	
9-210			10		
9-19	19				
9-200	4			2	
9-201	8	2			
10-2					2
10-5				5	
10-26	26				
10-200	12				1
10-201	4				2
10-202	8			2	
13-2					2
13-3					3
13-7				7	
13-220			20		
13-37	37				
13-200	6				2
13-201	10				2
16-5					5
16-12				12	
16-235			35		
16-55	55				
17-7					7
17-14				14	
17-241			41		
17-85	85				
21-12					12
21-22				22	
21-269			69		
21-130	130				

Mating Face View of Pin Connector
(socket connector numbers are reversed)

Contact Legend
#23⊕ #20HD⊕ #20● #16⊕ #12⊕



Dimensions in inches (millimeters) and are subject to change without notice.

© 2010 Glenair, Inc.

CAGE Code 06324

Printed in U.S.A.

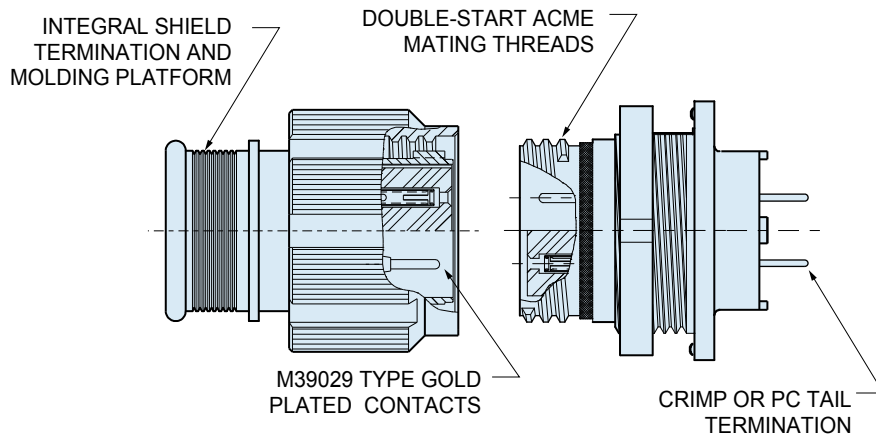
GLENAIR, INC. • 1211 AIR WAY • GLENDALE, CA 91201-2497 • 818-247-6000 • FAX 818-500-9912

www.glenair.com

D-2

E-Mail: sales@glenair.com

**Series 801 Mighty Mouse
Double-Start ACME Threads**
General information



- **Double-Start ACME Thread with anti-decoupling spring or ratchet**
- **Crimp Rear Release Contacts**
- **Integral Band Platform**
- **Available with Size #12, #16, #20, #20HD and #23 Contacts**
- **Environmentally Sealed**

Glenair's Series 801 Mighty Mouse Offers Mil-Spec Performance in a Lightweight, Ultraminiature Package

The 801 Series Mighty Mouse is ideal for use in high-density packaging applications where traditional military circular connectors are too large or too heavy. The double-start threads provide full mating in 1½ turns, and the plug features an anti-decoupling spring for vibration resistance. The unique integral molding/band platform allows direct shield attachment and cable overmolding. Receptacles are available with printed circuit board contacts. Plugs have anti-decoupling wave spring, or specify ratchet mechanism for added security.



SPECIFICATIONS	
Current Rating	#23 5 AMPS, #20HD 7.5 A., #16 13 A., #12 23 A.
Dielectric Withstanding Voltage	#23 500 VAC RMS, #20HD 750 VAC, #12 and #16 1800 VAC
Insulation Resistance	5000 megohms minimum
Operating Temperature	-65° C. to +150° C.
Shock	300 g.
Vibration	37 g.
Shielding Effectiveness	55 dB minimum from 100MHz to 1000MHz.
Durability	2000 mating cycles
See Series 80 General Information for complete performance specs.	

MATERIALS AND FINISHES	
Shells, Jam Nuts	Aluminum alloy or stainless steel
Contacts	Copper alloy, 50 µInch gold plated
Insulators	Liquid crystal polymer (LCP)
Contact Retention Clip	Beryllium copper alloy
Interfacial Seal, O-rings, Wire Sealing Grommet	Fluorosilicone rubber
See Series 80 General Information for complete material and finish specs.	

Dimensions in inches (millimeters) and are subject to change without notice.



Series 801

D38999

Series 801 Connectors Offer Up To 71% Weight Savings and 52% Size Reduction When Compared to D38999 Series III Connectors.

The [Comparison Tables](#) on this page show the actual weight and size reductions that can be achieved by using Glenair Series 801 connectors instead of MIL-DTL-38999 Series III.

WEIGHT COMPARISON: SERIES 801 VS. D38999 SERIES III

Series 801 Layout	Number of Contacts	D38999 Layout	Number of Contacts	Series 801	D38999 Aluminum	% Weight Savings	D38999 Composite	% Weight Savings
5-3	3	9-98	3	7.8	27.2	71%	21.7	64%
6-7	7	9-35	6	9.5	25.6	63%	19.9	52%
9-19	19	13-35	22	18.0	45.9	61%	38.5	53%
13-37	37	15-35	37	32.5	65.3	50%	57.4	43%
16-55	55	17-35	55	47.1	78.5	40%	65.6	28%
17-85	85	21-35	79	51.3	112.4	54%	99.1	48%
21-130	130	25-35	128	75.6	159.3	53%	136.6	45%

Weights shown include contacts and represent a mated pair of plug and jam nut receptacle. Weights are in grams. D38999 weights are based on published data from a leading manufacturer.

SIZE COMPARISON: SERIES 801 VS. D38999 SERIES III

Series 801 Layout	Number of Contacts	D38999 Layout	Number of Contacts	Cable Plug Diameter					Jam Nut Receptacle Diameter				
				Series 801		D38999		% Reduction	Series 801		D38999		% Reduction
				In.	mm.	In.	mm.		In.	mm.	In.	mm.	
5-3	3	9-98	3	.540	13.72	.859	21.82	37%	.575	14.61	1.204	30.58	52%
6-7	7	9-35	6	.600	15.24	.859	21.82	30%	.635	16.13	1.204	30.58	47%
9-19	19	13-35	22	.810	20.57	1.156	29.36	30%	.830	21.08	1.516	38.51	45%
13-37	37	15-35	37	1.050	26.67	1.281	32.54	18%	1.078	27.38	1.641	41.68	34%
16-55	55	17-35	55	1.240	31.50	1.406	35.71	12%	1.264	32.11	1.766	44.86	28%
17-85	85	21-35	79	1.300	33.02	1.641	41.68	21%	1.325	33.66	2.078	52.78	36%
21-130	130	25-35	128	1.550	39.37	1.890	48.01	18%	1.625	41.28	2.323	59.00	30%

Dimensions in inches (millimeters) and are subject to change without notice.

**Series 801 Mighty Mouse
Double-Start ACME Threads
Connector Weights**



SERIES 801 CONNECTOR WEIGHTS

Contact Arr.	Cable Plug	J/N Recep Crimp	J/N Recep PCB	Sq. Flange Recep Crimp	Sq. Flange Recep PCB
5-3P	4.8	3.7	4.0	2.2	2.4
5-3S	5.0	3.9	4.1	2.2	2.6
6-1P	6.2	4.7	5.1	3.0	3.2
6-1S	6.5	5.1	5.4	3.3	3.5
6-4P	6.2	4.7	5.1	3.0	3.2
6-4S	6.4	5.0	5.2	3.1	3.3
6-7P	5.9	4.5	5.1	3.2	3.7
6-7S	6.2	4.8	5.2	3.5	3.9
7-1P	8.6	7.2	7.9	5.0	5.7
7-1S	9.1	7.7	8.5	5.5	6.3
7-10P	8.4	6.9	7.7	4.7	5.5
7-10S	8.8	7.4	7.9	5.2	5.7
8-2P	9.8	8.5	9.6	6.2	7.5
8-2S	10.6	9.2	10.3	6.9	8.3
8-13P	9.1	7.8	8.9	5.5	6.8
8-13S	9.8	8.4	9.4	6.2	7.2
8-200P	10.1	8.8	9.9	6.5	7.8
8-200S	10.8	9.5	10.6	7.2	8.5
9-4P	12.0	9.6	11.8	8.4	9.5
9-4S	13.0	11.7	12.8	9.4	10.5
9-19P	11.1	8.7	10.1	6.4	7.8
9-19S	12.0	9.6	10.7	7.3	8.4
9-200P	11.4	10.1	11.2	7.8	8.9
9-200S	12.5	11.2	12.3	8.9	10.0
9-201P	10.6	9.2	10.3	7.3	8.4
9-201S	12.7	11.3	12.4	9.0	10.1
10-5P	17.4	13.9	14.9	15.5	14.1
10-5S	18.8	15.3	16.3	16.9	15.5
10-26P	15.6	12.1	13.1	13.8	9.6
10-26S	16.8	13.3	13.8	18.4	10.1
10-200	16.5	13.0	14.0	14.6	11.0
10-200	17.9	14.4	15.4	16.1	12.4
10-201P	16.8	13.3	14.3	15.0	11.3

Contact Arr.	Cable Plug	J/N Recep Crimp	J/N Recep PCB	Sq. Flange Recep Crimp	Sq. Flange Recep PCB
10-201S	18.4	14.9	15.8	16.5	12.9
10-202P	16.4	12.9	13.9	14.5	10.9
10-202S	17.9	14.4	15.4	16.1	12.4
13-2P	20.8	18.9	18.9	18.9	16.6
13-2S	22.4	20.6	20.6	20.6	18.3
13-3P	21.8	19.9	19.9	19.9	17.6
13-3S	23.5	21.7	21.7	21.7	19.4
13-7P	22.0	20.1	20.1	20.1	17.8
13-7S	24.6	22.8	22.8	22.8	20.5
13-37P	20.2	18.4	18.4	18.4	16.1
13-37S	21.9	19.4	19.4	19.4	17.1
13-200P	20.9	19.0	19.0	19.0	16.7
13-200S	23.2	21.3	21.3	21.3	19.0
13-201P	21.0	19.1	19.1	19.1	16.8
13-201S	23.4	21.6	21.6	21.6	19.3
16-5P	31.4	24.9	27.9	27.9	25.3
16-5S	34.3	27.8	30.9	30.9	28.3
16-12P	32.1	25.6	28.7	28.7	26.1
16-12S	35.8	29.3	32.3	32.3	29.7
16-55P	29.2	22.7	26.7	26.7	24.1
16-55S	32.1	25.6	28.7	28.7	26.1
17-7P	32.8	29.7	32.3	32.3	27.7
17-7S	36.3	33.2	35.9	35.9	31.2
17-14P	35.9	32.8	35.4	35.4	30.8
17-14S	35.5	32.5	35.1	35.1	30.5
17-85P	30.9	25.5	31.9	31.9	27.8
17-85S	34.1	28.8	33.7	33.7	29.0
21-12P	38.5	34.5	37.8	29.0	34.5
21-12S	43.6	39.6	42.9	34.1	39.6
21-22P	41.0	37.1	40.4	31.6	37.1
21-22S	48.0	44.0	47.3	38.5	44.0
21-130P	36.2	32.2	35.5	26.7	32.2
21-130S	43.3	39.4	42.7	33.9	39.4

Maximum connector weight in grams.

Dimensions in inches (millimeters) and are subject to change without notice.



Series 801 Mighty Mouse Double-Start ACME Threads Plug Connector Ordering Information

801-007 and 801-008



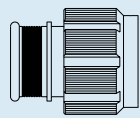
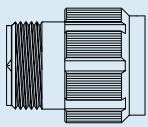
Series 801 Plug Connector

Glenair's Series 801 Mighty Mouse connector features a double-start modified stub ACME mating thread for improved protection against cross-mating and thread damage. Connector shells are machined aluminum or stainless steel. Supplied with crimp contacts, packaged separately. Terminate contacts with standard M22520 tools. Metal clips inside the connector body lock contact into place. Contacts are removable. Fluorosilicone seals and rear grommet protect connector from water ingress. Choose hex or knurled coupling nut. Terminate cable shield directly to connector body with BAND-IT strap, or choose rear accessory thread to attach optional cable clamp or backshell. Available in shell sizes 5 through 21 in 43 contact arrangements.

D

HOW TO ORDER

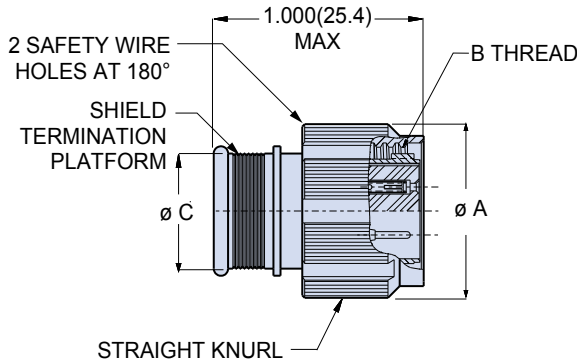
Sample Part Number

801-007	-16	M	7-10	P	A
Series	Shell Style	Shell Material / Finish	Shell Size- Insert Arrangement	Contact Type	Shell Key Position
 <p>801-007 Banding Platform</p>  <p>801-008 Rear Accessory Thread</p>	<p style="text-align: center;">-16 Plug with Anti-Decoupling Spring</p> <p style="text-align: center;">-26 Self-Locking Plug with Ratchet Mechanism (the "Clicker")</p>	<p style="text-align: center;">C Aluminum / Black Anodize (Non-Conductive) RoHS Compliant</p> <p style="text-align: center;">M Aluminum / Electroless Nickel RoHS Compliant</p> <p style="text-align: center;">NF Aluminum / Cadmium with Olive Drab Chromate</p> <p style="text-align: center;">ZN Aluminum / Zinc-Nickel with Olive Drab Chromate</p> <p style="text-align: center;">ZNU Aluminum / Zinc-Nickel with Black Chromate</p> <p style="text-align: center;">MT Aluminum / Nickel-PTFE RoHS Compliant</p> <p style="text-align: center;">Z1 Stainless Steel / Passivated RoHS Compliant</p>	<p>SEE CONTACT ARRANGEMENTS PAGE D-2</p>	<p>Connector supplied with contacts</p> <p style="text-align: center;">P Pin</p> <p style="text-align: center;">S Socket</p> <p>Connector supplied without contacts</p> <p style="text-align: center;">A Pin</p> <p style="text-align: center;">B Socket Connector</p> <p>Connectors with contacts are supplied with signal and/or power crimp contacts. These contacts are not installed.</p> <p>Coaxial contacts and non-standard signal contacts are ordered separately.</p>	<p style="text-align: center;">A Normal</p> <p>Alternate Key Positions:</p> <p style="text-align: center;">B C D E F</p>

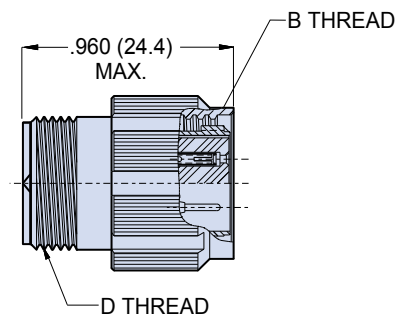
Dimensions in inches (millimeters) and are subject to change without notice.

Series 801 Mighty Mouse Double-Start ACME Threads Plug Connector Dimensions

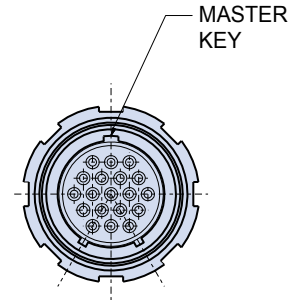
801-007 and 801-008



Integral Band Platform
801-007



Accessory Thread
801-008



DIMENSIONS									
Shell Size	Style 16		Style 26		B Thread	Ø C		D Thread UNEF-2A	
	Ø A		Ø A			In.	mm.		
	In.	mm.	In.	mm.					
5	.540	13.72	.640	16.26	.3125-.05P-1L-2B	.245	6.22	.250-32	
6	.600	15.24	.700	17.78	.375-.05P-1L-2B	.290	7.37	.3125-32	
7	.680	17.27	.780	19.81	.4375-.05P-1L-2B	.390	9.91	.4375-28	
8	.750	19.05	.850	21.59	.5000-.05P-.1L-2B	.445	11.30	.5000-28	
9	.810	20.57	.910	23.11	.5625-.05P-.1L-2B	.500	12.70	.5625-24	
10	.880	22.35	.980	24.89	.6250-.05P-1L-2B	.560	14.22	.6250-24	
13	1.050	26.67	1.150	29.21	.8125-.1P-.2L-2B	.650	16.51	.6875-24	
16	1.240	31.50	1.340	34.04	1.000-.1P-.2L-2B	.805	20.45	.9375-20	
17	1.300	33.02	1.400	35.56	1.062-.1P-.2L-2B	.850	21.59	.9375-20	
21	1.550	39.37	1.650	41.91	1.3125-.1P-.2L-2B	1.110	28.19	1.1875-18	

PLUG KEY POSITIONS			
	A°	B°	
A	150°	210°	
B	75°	210°	
C	95°	230°	
D	140°	275°	
E	75°	275°	
F	95°	210°	

Dimensions in inches (millimeters) and are subject to change without notice.



**Series 801 Mighty Mouse Double-Start ACME Threads
Crimp Receptacle Connector Ordering Information
801-009 and 801-010**



In-Line
Shell Style 01



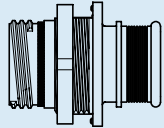
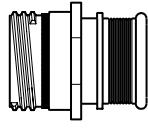
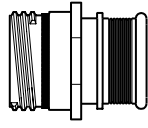
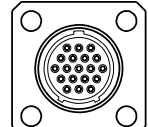
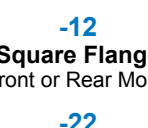
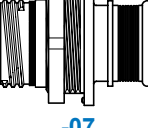

Rear Panel Jam Nut Mount
Shell Style 07



Square Flange Mount
Shell Style 02

HOW TO ORDER

Sample Part Number

801-010	-02	Z1	16-55	S	A
Series	Shell Style	Shell Material / Finish	Shell Size- Insert Arrangement	Contact Type	Shell Key Position
 801-009 Receptacle with Banding Platform  801-010 Receptacle with Accessory Thread	 -01 In-Line For Free-Hanging Cables  -02 Square Flange Rear Mount Non-Locking Clinch Nuts  -12 Square Flange Front or Rear Mount  -22 Square Flange Rear Mount Locking Clinch Nuts  -07 Jam Nut For Rear Panel Mounting	C Aluminum / Black Anodize (Non-Conductive) RoHS Compliant M Aluminum / Electroless Nickel RoHS Compliant MT Aluminum / Nickel-PTFE RoHS Compliant NF Aluminum / Cadmium with Olive Drab Chromate ZN Aluminum / Zinc-Nickel with Olive Drab Chromate ZNU Aluminum / Zinc-Nickel with Black Chromate Z1 Stainless Steel / Passivated RoHS Compliant ZB Stainless Steel / Olive Drab Chromate over Cadmium ZC Stainless Steel / Zinc Cobalt Alloy/Black Chromate	SEE CONTACT ARRANGEMENTS PAGE D-2	Connector supplied with contacts P Pin Connector S Socket Connector G #23 Pin with 30 AWG Crimp Barrel H #23 Socket with 30 AWG Crimp Barrel Connector supplied without contacts A Pin Connector B Socket Connector Connectors with contacts are supplied with signal and/or power crimp contacts. These contacts are not installed. Coaxial contacts and non-standard signal contacts are ordered separately.	A Normal Alternate Key Positions: B C D E F

Dimensions in inches (millimeters) and are subject to change without notice.

© 2010 Glenair, Inc.

CAGE Code 06324

Printed in U.S.A.

GLENAIR, INC. • 1211 AIR WAY • GLENDALE, CA 91201-2497 • 818-247-6000 • FAX 818-500-9912

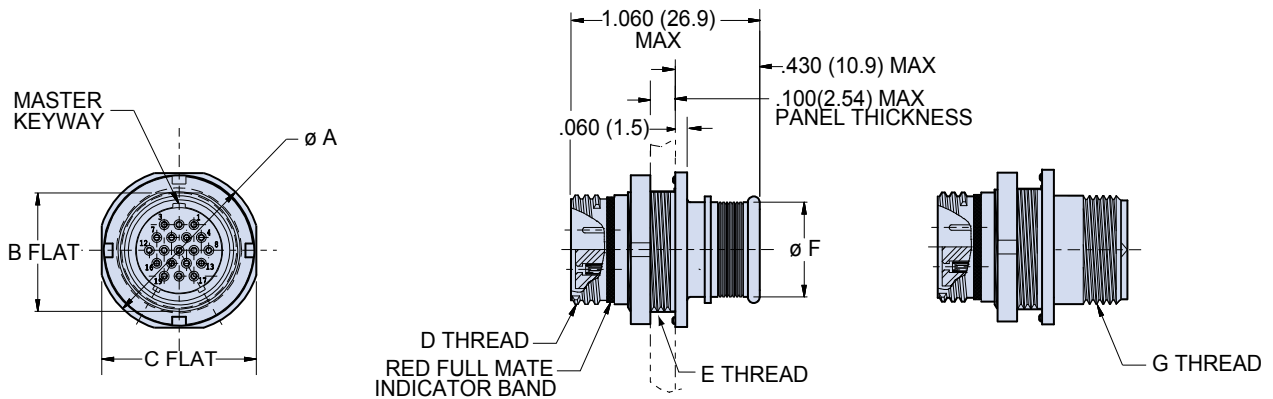
www.glenair.com

D-8

E-Mail: sales@glenair.com

Series 801 Mighty Mouse Double-Start ACME Threads Jam Nut Receptacle Connector Dimensions

801-009-07 and 801-010-07



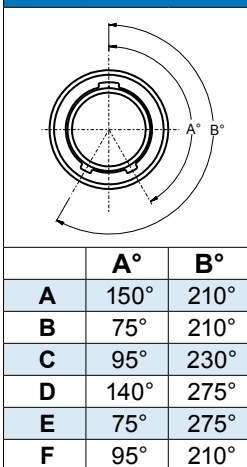
Integral Band Platform
801-009-07

Accessory Thread
801-010-07

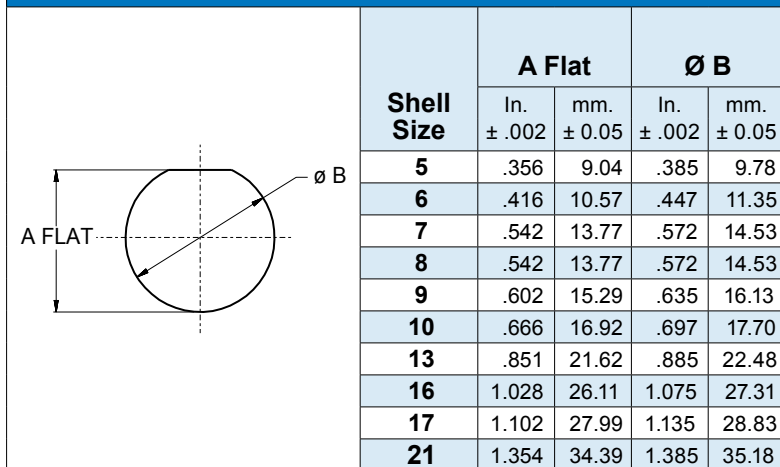
D

DIMENSIONS											
Shell Size	Ø A		B Flat		C Flat		D Thread	E Thread UN-2A	Ø F		G Thread UN-2A
	In.	mm.	In.	mm.	In.	mm.			In.	mm.	
5	.575	14.61	.350	8.89	.545	13.84	.3125-.05P-.1L-2A	.375-28	.245	6.22	.250-32
6	.635	16.13	.410	10.41	.595	15.11	.375-.05P-.1L-2A	.4375-28	.290	7.37	.3125-32
7	.755	19.18	.536	13.61	.723	18.36	.4375-.05P-.1L-2A	.5625-32	.390	9.91	.4375-28
8	.755	19.18	.536	13.61	.723	18.36	.5000-.05P-.1L-2A	.5625-32	.445	11.30	.5000-28
9	.830	21.08	.596	15.14	.790	20.07	.5625-.05P-.1L-2A	.625-28	.500	12.70	.5625-24
10	.890	22.61	.658	16.71	.855	21.72	.6250-.05P-.1L-2A	.6875-28	.560	14.22	.6250-24
13	1.078	27.38	.845	21.46	1.044	26.52	.8125-.1P-.2L-2A	.875-28	.650	16.51	.6875-24
16	1.264	32.11	1.022	25.96	1.230	31.24	1.000-.1P-.2L-2A	1.0625-20	.805	20.45	.9375-20
17	1.325	33.66	1.096	27.84	1.290	32.77	1.062-.1P-.2L-2A	1.125-28	.850	21.59	.9375-20
21	1.625	41.28	1.345	34.16	1.577	40.06	1.3125-.1P-.2L-2A	1.375-28	1.110	28.19	1.1875-18

KEY POSITIONS



SERIES 801 JAM NUT PANEL CUTOUT

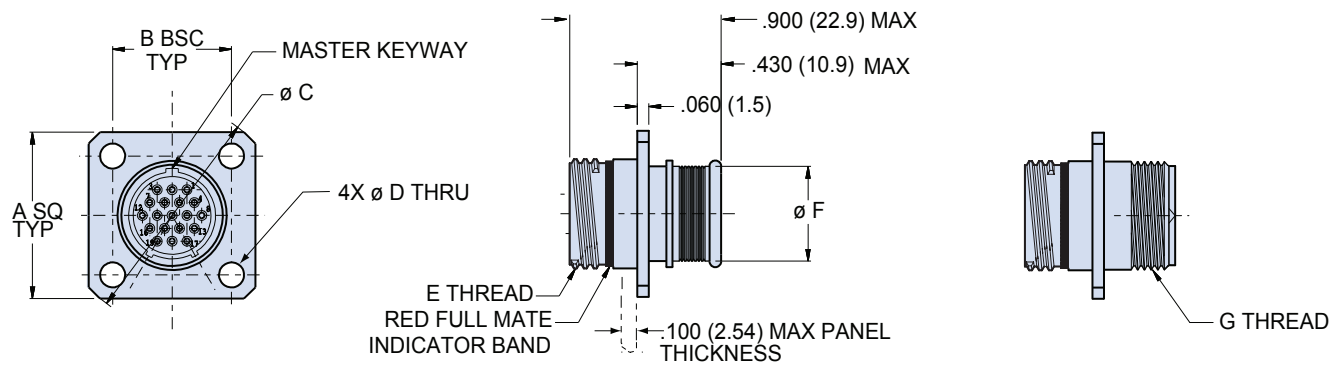


Dimensions in inches (millimeters) and are subject to change without notice.



Series 801 Mighty Mouse Double-Start ACME Threads Square Flange Receptacle Connector Dimensions

801-009-02 and 801-010-02



Integral Band Platform
801-009-02

Accessory Thread
801-010-02

DIMENSIONS

Shell Size	A SQ		B BSC		Ø C		Ø D		E Thread	Ø F		G Thread UNEF-2A
	In.	mm.	In.	mm.	In.	mm.	In.	mm.		In.	mm.	
5	.530	13.46	.363	9.22	.680	17.27	.096 .091	2.44 2.31	.3125-.05P-.1L-DS-2A	.328	8.33	.2500-32
6	.590	14.99	.423	10.74	.750	19.05			.3750-.05P-.1L-DS-2A	.390	9.91	.3125-32
7	.650	16.51	.483	12.27	.850	21.59	.130 .126	3.30 3.20	.4375-.05P-.1L-DS-2A	.453	11.51	.4375-28
8	.712	18.08	.545	13.84	.938	23.83			.5000-.05P-.1L-DS-2A	.515	13.08	.5000-28
9	.850	21.59	.607	15.42	1.125	28.58	.130 .126	3.30 3.20	.5625-.05P-.1L-DS-2A	.578	14.68	.5625-24
10	.890	22.61	.670	17.02	1.188	30.18			.6250-.05P-.1L-DS-2A	.640	16.26	.6250-24
11	.935	23.75	.715	18.16	1.250	31.75	.130 .126	3.30 3.20	.6875-.05P-.1L-DS-2A	.703	17.86	.6875-24
13	1.030	26.16	.812	20.62	1.375	34.93			.8125-.1P-.2L-DS-2A	.828	21.03	.6875-24
16	1.219	30.96	.981	24.92	1.625	41.28	.130 .126	3.30 3.20	1.0000-.1P-.2L-DS-2A	1.015	25.78	.9375-20
17	1.280	32.51	1.060	26.92	1.700	43.18			1.0625-.1P-.2L-DS-2A	1.078	27.38	.9375-20
19	1.432	36.37	1.191	30.25	1.900	48.26	.130 .126	3.30 3.20	1.1875-.1P-.2L-DS-2A	1.203	30.56	1.0625-18
21	1.565	39.75	1.322	33.58	2.100	53.34			1.3125-.1P-.2L-DS-2A	1.328	33.73	1.1875-18

SERIES 801 PANEL CUTOUT

Shell Size	Ø A		B BSC		Ø C	
	In.	mm.	In.	mm.	In.	mm.
5	.328	8.33	.363	9.22	.096 .091	2.44 2.31
6	.390	9.91	.423	10.74		
7	.453	11.51	.483	12.27	.130 .126	3.30 3.20
8	.515	13.08	.545	13.84		
9	.578	14.68	.607	15.42	.130 .126	3.30 3.20
10	.640	16.26	.670	17.02		
11	.703	17.86	.715	18.16	.130 .126	3.30 3.20
13	.828	21.03	.812	20.62		
16	1.015	25.78	.981	24.92	.130 .126	3.30 3.20
17	1.078	27.38	1.060	26.92		
19	1.203	30.56	1.191	30.25	.130 .126	3.30 3.20
21	1.328	33.73	1.322	33.58		

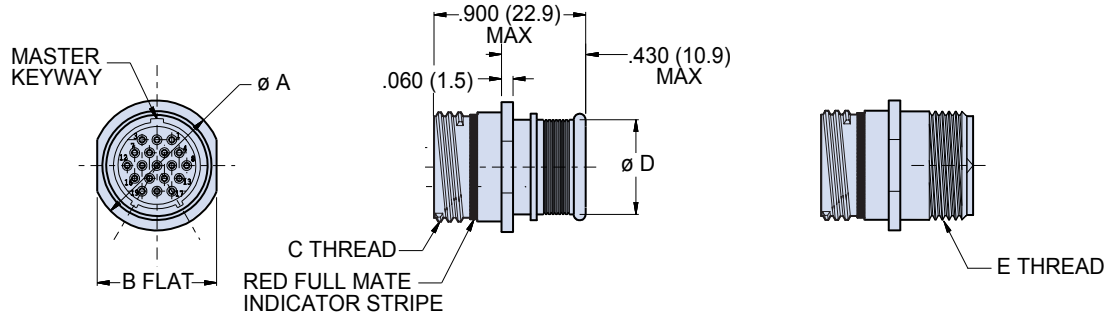
KEY POSITIONS

	A°	B°
A	150°	210°
B	75°	210°
C	95°	230°
D	140°	275°
E	75°	275°
F	95°	210°

Dimensions in inches (millimeters) and are subject to change without notice.

Series 801 Mighty Mouse Double-Start ACME Threads In-Line Receptacle Connector Dimensions

801-009-01 and 801-010-01



Integral Band Platform
801-009-01

Accessory Thread
801-010-01

DIMENSIONS

Shell Size	Ø A		B Flat		C Thread	Ø D		E Thread UNEF-2A
	In.	mm.	In.	mm.		In.	mm.	
5	.355	9.02	.325	8.13	.3125-.05P-.1L-2A	.245	6.22	.250-32
6	.415	10.54	.385	9.78	.375-.05P-.1L-2A	.290	7.37	.3125-32
7	.480	12.19	.445	11.30	.4375-.05P-1L2A	.390	9.91	.4375-28
8	.540	13.72	.510	12.95	.5000-.05P-1L2A	.445	11.30	.5000-28
9	.605	15.37	.575	14.61	.5625-.05P-.1L-2A	.500	12.70	.5625-24
10	.665	16.89	.635	16.13	.6250-.05P-1L2A	.560	14.22	.6250-24
13	.855	21.72	.825	20.96	.8125-.1P-.2L-2a	.650	16.51	.6875-24
16	1.040	26.42	1.010	25.65	1.000-.1P-.2L-2A	.805	20.44	.9375-20
17	1.110	28.19	1.070	27.18	1.062-.1P-.2L-2A	.850	21.59	.9375-20
21	1.405	35.69	1.385	35.18	1.3125-.1P-.2L-2A	1.110	28.19	1.1875-18

KEY POSITIONS

	A°	B°
A	150°	210°
B	75°	210°
C	95°	230°
D	140°	275°
E	75°	275°
F	95°	210°

Dimensions in inches (millimeters) and are subject to change without notice.



Series 801 Mighty Mouse Double-Start ACME Threads PCB Receptacle Ordering Information

801-011 and 801-033



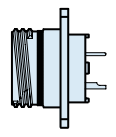
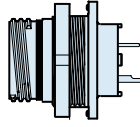
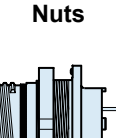
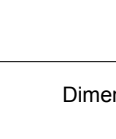
**Series 801 Printed
Circuit Board Receptacle**

Printed Circuit Board Receptacles feature low profile shells for minimum protrusion inside enclosures and integral standoffs for board washout. Contacts are non-removable.

Water Immersion, Unmated

Specify **801-011** connectors for applications where open face water immersion is not a requirement. For MIL-STD-810 Method 512G immersion requirements, specify **801-033** watertight connectors. These 801-033 connectors are specially sealed ("MOD-518") and are 100% tested to maintain a helium leak rate of 1×10^{-4} cc/second at one atmosphere pressure differential from -40C to +70C.

D

HOW TO ORDER					
Sample Part Number					
801-011	-07	M	7-10	P	A
Series	Shell Style	Shell Material / Finish	Shell Size- Insert Arrangement	Contact Type	Key Position
<p>801-011 Receptacle for Solder Cup or PCB Termination, with Standard Epoxy Potting</p> <p>801-033 Receptacle for Solder Cup or PCB Termination, With Special "MOD-518" Sealing For Open Face (unmated) Water Immersion Requirements. 100% Leak Tested.</p>	 <p>-02 Square Flange Front or Rear Mount</p>  <p>-12 Square Flange Rear Mount Non-Locking Clinch Nuts</p>  <p>-22 Square Flange Rear Mount Locking Clinch Nuts</p>  <p>-07 Jam Nut</p>	<p style="text-align: center;">C Aluminum / Black Anodize (Non-Conductive) RoHS Compliant</p> <p style="text-align: center;">M Aluminum / Electroless Nickel RoHS Compliant</p> <p style="text-align: center;">MT Aluminum / Nickel-PTFE RoHS Compliant</p> <p style="text-align: center;">NF Aluminum / Cadmium with Olive Drab Chromate</p> <p style="text-align: center;">ZN Aluminum / Zinc-Nickel with Olive Drab Chromate</p> <p style="text-align: center;">ZNU Aluminum / Zinc-Nickel with Black Chromate</p> <p style="text-align: center;">Z1 Stainless Steel / Passivated RoHS Compliant</p> <p style="text-align: center;">ZB Stainless Steel / Olive Drab Chromate over Cadmium</p> <p style="text-align: center;">ZC Stainless Steel / Zinc Cobalt Alloy/Black Chromate</p>	<p>SEE CONTACT ARRANGEMENTS PAGE D-2</p>	<p style="text-align: center;">P Pin, PC Tail</p> <p style="text-align: center;">S Socket, PC Tail</p> <p style="text-align: center;">E Pin, Solder Cup</p> <p style="text-align: center;">F Socket, Solder Cup</p>	<p style="text-align: center;">A Normal</p> <p>Alternate Key Positions:</p> <p style="text-align: center;">B C D E F</p>

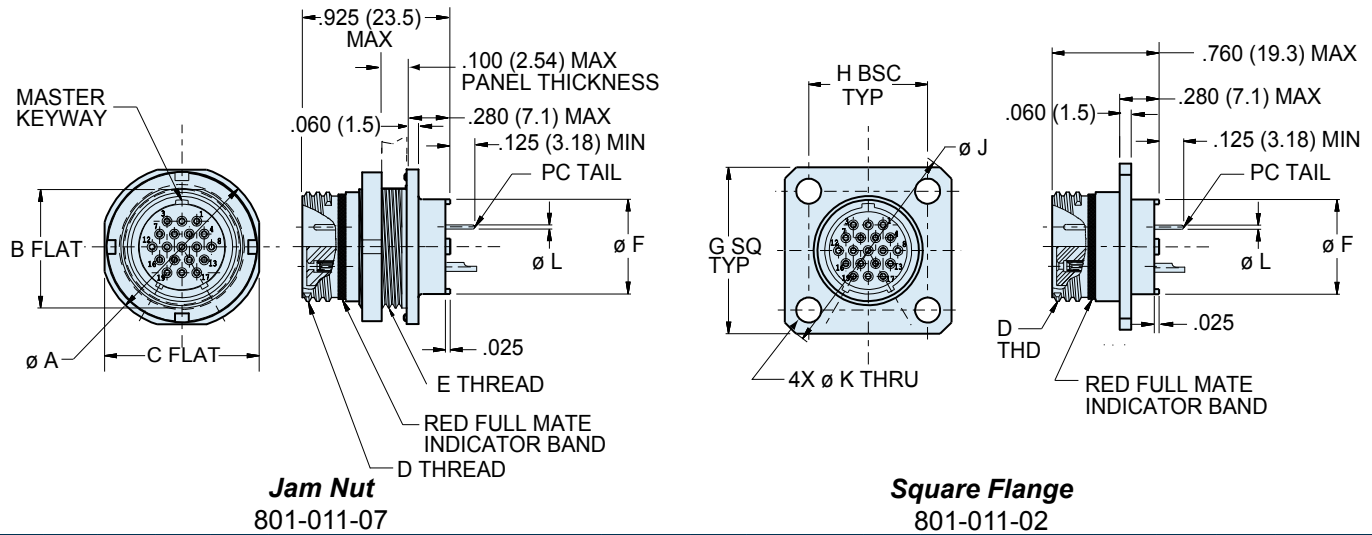
Dimensions in inches (millimeters) and are subject to change without notice.

Series 801 Mighty Mouse Double-Start ACME Threads Jam Nut and Square Flange Connector Dimensions

801-011 and 801-033



Series 801



Jam Nut
801-011-07

Square Flange
801-011-02

DIMENSIONS																		
Shell Size	Ø A		B Flat		C Flat		D Thread	E Thread UN-2A	Ø F		G Sq.		H BSC		Ø J		Ø D	Ø L Tail Dia.
	In.	mm.	In.	mm.	In.	mm.			In.	mm.	In.	mm.	In.	mm.	In.	mm.		
5	.575	14.61	.350	8.89	.545	13.84	.3125-.05P-.1L-DS-2A	.3750-28	.244	6.20	.530	13.46	.363	9.22	.680	17.27	.096/.091 (2.44/2.31)	#23 .018/.022 (0.46/0.56)
6	.635	16.13	.410	10.41	.595	15.11	.3750-.05P-.1L-DS-2A	.4375-28	.330	8.38	.590	14.99	.423	10.74	.750	19.05		
7	.755	19.18	.536	13.61	.723	18.36	.4375-.05P-.1L-DS-2A	.5625-32	.432	10.97	.650	16.51	.483	12.27	.850	21.59		
8	.755	19.18	.563	14.30	.723	18.36	.5000-.05P-.1L-DS-2A	.5625-32	.493	12.52	.712	18.08	.545	13.84	.938	23.83	.130/.126 (3.30/3.20)	#16 .060/.064 (1.52/1.63)
9	.830	21.08	.596	15.14	.790	20.07	.5625-.05P-.1L-DS-2A	.6250-28	.551	14.00	.850	21.59	.607	15.42	1.125	28.58		
10	.890	22.61	.658	16.71	.855	21.72	.6250-.05P-.1L-DS-2A	.6875-28	.620	15.75	.890	22.61	.670	17.02	1.188	30.18		
11	.960	24.38	.718	18.24	.925	23.50	.6875-.05P-.1L-DS-2A	.7500-28	.662	16.81	.935	23.75	.607	15.42	1.250	31.75	#12 .092/.096 (2.34/2.44)	
13	1.078	27.38	.845	21.46	1.044	26.52	.8125-.1P-.2L-DS-2A	.8750-28	.703	17.86	1.030	26.16	.715	18.16	1.375	34.93		
16	1.264	32.11	1.022	25.96	1.230	31.24	1.0000-.1P-.2L-DS-2A	1.0625-20	.863	21.92	1.219	30.96	.981	24.92	1.625	41.28		
17	1.325	33.66	1.096	27.84	1.290	32.77	1.0625-.1P-.2L-DS-2A	1.1250-28	.912	23.16	1.280	32.51	1.060	26.92	1.700	43.18		
19	1.450	36.83	1.225	31.12	1.415	35.94	1.1875-.1P-.2L-DS-2A	1.2500-28	1.018	25.86	1.432	36.37	1.191	30.25	1.900	48.26		
21	1.625	41.28	1.345	34.16	1.577	40.06	1.3125-.1P-.2L-DS-2A	1.3750-28	1.170	29.72	1.565	39.75	1.322	33.58	2.100	53.34		

PANEL CUTOUT												
Shell Style	Shell Size	Ø A		Ø B		Ø C		D Flat		Ø E		
		In.	mm.	In.	mm.	In.	mm.	± .002	± 0.05	± .002	± 0.05	
Shell Style 02 Square Flange	5	.330	8.38	.363	9.22	.096/.091 (2.44/2.31)		.362/.358	9.19/9.09	.385	9.78	
	6	.390	9.91	.423	10.74			.422/.418	10.72/10.62	.448	11.38	
	7	.450	11.43	.483	12.27			.553/.549	14.05/13.94	.573	14.55	
	Shell Style 07 Jam Nut	8	.510	12.95	.545	13.84	.130/.126 (3.30/3.20)		.553/.549	14.05/13.94	.573	14.55
		9	.575	14.61	.607	15.42			.611/.607	15.52/15.42	.635	16.13
		10	.640	16.26	.670	17.02			.673/.669	17.09/16.99	.698	17.73
		11	.700	17.78	.715	18.16	.728/.724	18.49/18.39	.760	19.30		
		13	.825	20.96	.812	20.65	.861/.857	21.87/21.77	.885	22.48		
		16	1.015	25.78	.981	24.92	1.040/1.036	26.42/26.31	1.075	27.31		
		17	1.075	27.31	1.060	26.92	1.113/1.109	28.29/28.17	1.135	28.83		
19		1.200	30.48	1.191	30.25	1.235/1.231	31.37/31.29	1.260	32.00			
21		1.330	33.78	1.322	33.58	1.356/1.352	34.44/34.35	1.385	35.18			

Dimensions in inches (millimeters) and are subject to change without notice.

© 2010 Glenair, Inc. CAGE Code 06324 Printed in U.S.A.

GLENAIR, INC. • 1211 AIR WAY • GLENDALE, CA 91201-2497 • 818-247-6000 • FAX 818-500-9912

www.glenair.com

D-13

E-Mail: sales@glenair.com

19 - MARCH - 2013



Glenair's right angle 801-023 connectors offer military grade performance in a small, lightweight package. These connectors are rated for MIL-STD-810 Method 512 immersion. High temperature thermoplastic housing withstands soldering temperatures. Stainless steel threaded inserts simplify attachment to printed circuit board.

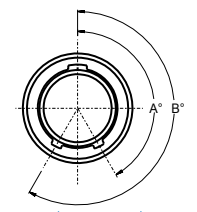
- **Double-Start ACME Thread**
- **Right Angle Contacts**
- **High Temperature Housing**
- **Threaded Inserts**
- **Environmentally Sealed**

Series 801 Right Angle PCB Receptacle

HOW TO ORDER

Sample Part Number

801-023	-07	M	7-10	P	A
Series	Shell Style	Shell Material / Finish	Shell Size- Insert Arrangement	Contact Type	Shell Key Position
801-023 PCB Receptacle for Right Angle PC Board	-07 Jam Nut	C Aluminum / Black Anodize (Non-Conductive) RoHS Compliant	5-3 3 6-4 4 6-7 7 7-10 10 8-13 13 9-19 19	P Pin S Socket	A Normal B Pos. B C Pos. C D Pos. D E Pos. E F Pos. F
		M Aluminum / Electroless Nickel RoHS Compliant			
		NF Aluminum / Cadmium with Olive Drab Chromate			
		ZN Aluminum / Zinc-Nickel with Olive Drab Chromate			
		ZNU Aluminum / Zinc-Nickel with Black Chromate			
		MT Aluminum / Nickel-PTFE RoHS Compliant			
		Z1 Stainless Steel / Passivated			



	A°	B°
A	150°	210°
B	75°	210°
C	95°	230°
D	140°	275°
E	75°	275°
F	95°	210°

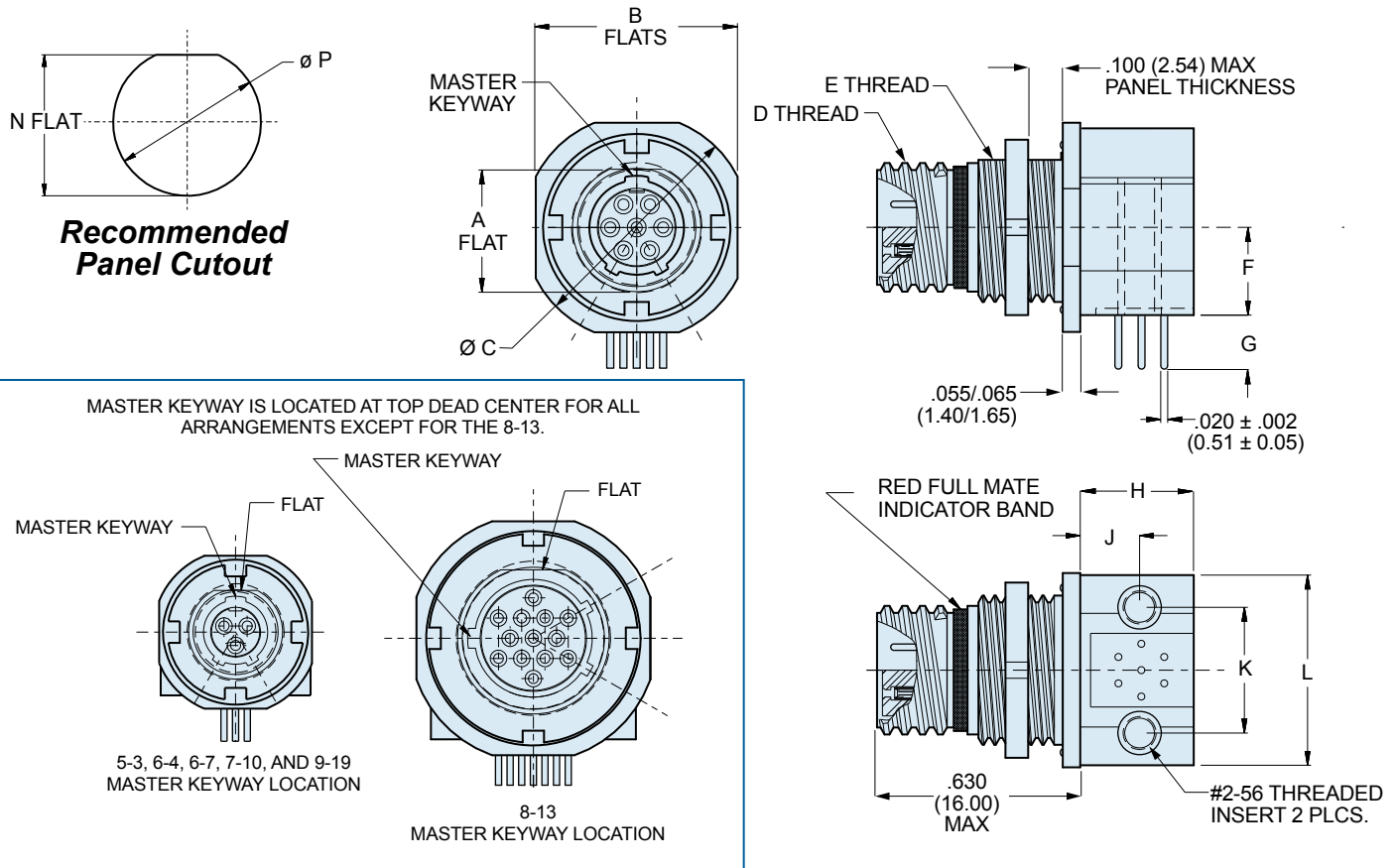
Dimensions in inches (millimeters) and are subject to change without notice.

Series 801 Mighty Mouse Double-Start ACME Threads Jam Nut Connector Dimensions

801-023-07



Series 801



DIMENSIONS

Shell Size/ Contact Arr.	A		B		Ø C		D Thread	E Thread	F		G	
	In.	mm.	In.	mm.	In.	mm.			In.	mm.	In.	mm.
	±.005	±0.13							±.035	±0.89		
5-3	.350	8.89	.545	13.84	.580	14.73	.3125-.05P-.1L-2A	.375-28 UN-2A	.225	5.72	.275	6.99
6-4	.410	10.41	.602	15.29	.635	16.13	.3750-.05P-.1L-DS-2A	.4375-28 UNEF-2A	.225	5.72	.292	7.42
6-7	.410	10.41	.602	15.29	.635	16.13	.3750-.05P-.1L-DS-2A	.4375-28 UNEF-2A	.225	5.72	.265	6.73
7-10	.536	13.61	.723	18.36	.755	19.18	.4375-.05P-.1L-DS-2A	.5625-32 UN-2A	.296	7.52	.273	6.93
8-13	.536	13.61	.723	18.36	.755	19.18	.5000-.05P-.1L-DS-2A	.5625-32 UN-2A	.319	8.10	.316	8.03
9-19	.595	15.11	.790	20.01	.830	21.08	.5625-.05P-.1L-DS-2A	.6250-28 UN-2A	.360	9.14	.275	6.99
Shell Size/ Contact Arr.	H		J		K		L		N		P	
	In.	mm.	In.	mm.	In.	mm.	In.	mm.	In.	mm.	In.	mm.
									±.002	±0.05	±.005	±0.13
5-3	.260	6.60	.165	4.19	.310	7.87	.490	14.45	.357	9.07	.385	9.78
6-4	.345	8.76	.224	5.69	.385	9.78	.589	15.19	.418	10.62	.448	11.37
6-7	.345	8.76	.187	4.75	.408	10.36	.589	15.19	.418	10.62	.448	11.37
7-10	.345	8.76	.170	4.32	.452	11.48	.710	18.03	.544	13.82	.573	14.55
8-13	.490	12.45	.230	5.84	.490	12.45	.710	18.03	.544	13.82	.573	14.55
9-19	.490	12.45	.342	8.69	.600	15.24	.800	20.32	.603	15.32	.635	16.13

Dimensions in inches (millimeters) and are subject to change without notice.

© 2010 Glenair, Inc.

CAGE Code 06324

Printed in U.S.A.

GLENAIR, INC. • 1211 AIR WAY • GLENDALE, CA 91201-2497 • 818-247-6000 • FAX 818-500-9912

www.glenair.com

D-15

E-Mail: sales@glenair.com

13 - FEBRUARY - 2013



**Series 801 Mighty Mouse Double-Start ACME Threads
Jam Nut Mount • Heli-Coil Inserts • Fixed Contacts
Shell Sizes 5-21 • Ordering Information
801-075**



Series 801 Jam Nut

This Series 801 Backpotted Receptacle features a choice of 304L stainless steel or aluminum alloy shells, fused vitreous glass insulators and gold plated copper alloy non-removable contacts.

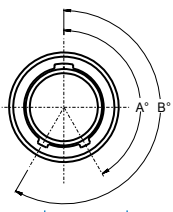
Popular Jam Nut Mount Style Mates with all quick coupling high density plug connectors with the same

polarization and opposite contact gender (801-001, 801-002, 801-007 and 801-008).

Pin/PC Tail, Socket/PC Tail, Pin/Solder Cup or *Socket/Solder Cup Contacts* for attachment to flexible or rigid circuits or rigid boards.

HOW TO ORDER

Sample Part Number

801-075	-07	Z1	7-10	P	A																					
Series	Shell Style	Shell Material / Finish	Shell Size/Insert Arrangement	Contact Type	Shell Key Position																					
801-075 Receptacle with Printed Circuit Board Contacts or Solder Cup Contacts	-07 Jam Nut	C Aluminum / Black Anodize (Non-Conductive) RoHS Compliant M Aluminum / Electroless Nickel RoHS Compliant MT Aluminum / Nickel-PTFE RoHS Compliant NF Aluminum / Cadmium with Olive Drab Chromate ZN Aluminum / Zinc-Nickel with Olive Drab Chromate ZNU Aluminum / Zinc-Nickel with Black Chromate Z1 Stainless Steel / Passivated RoHS Compliant ZB Stainless Steel / Olive Drab Chromate over Cadmium ZC Stainless Steel / Zinc Cobalt Alloy/Black Chromate	SEE CONTACT ARRANGEMENTS PAGE D-2	P Pin, PC Tail S Socket, PC Tail E Pin, Solder Cup F Socket, Solder Cup	A Normal B Pos. B C Pos. C D Pos. D E Pos. E F Pos. F  <table border="1"> <thead> <tr> <th></th> <th>A°</th> <th>B°</th> </tr> </thead> <tbody> <tr> <td>A</td> <td>150°</td> <td>210°</td> </tr> <tr> <td>B</td> <td>75°</td> <td>210°</td> </tr> <tr> <td>C</td> <td>95°</td> <td>230°</td> </tr> <tr> <td>D</td> <td>140°</td> <td>275°</td> </tr> <tr> <td>E</td> <td>75°</td> <td>275°</td> </tr> <tr> <td>F</td> <td>95°</td> <td>210°</td> </tr> </tbody> </table>		A°	B°	A	150°	210°	B	75°	210°	C	95°	230°	D	140°	275°	E	75°	275°	F	95°	210°
	A°	B°																								
A	150°	210°																								
B	75°	210°																								
C	95°	230°																								
D	140°	275°																								
E	75°	275°																								
F	95°	210°																								

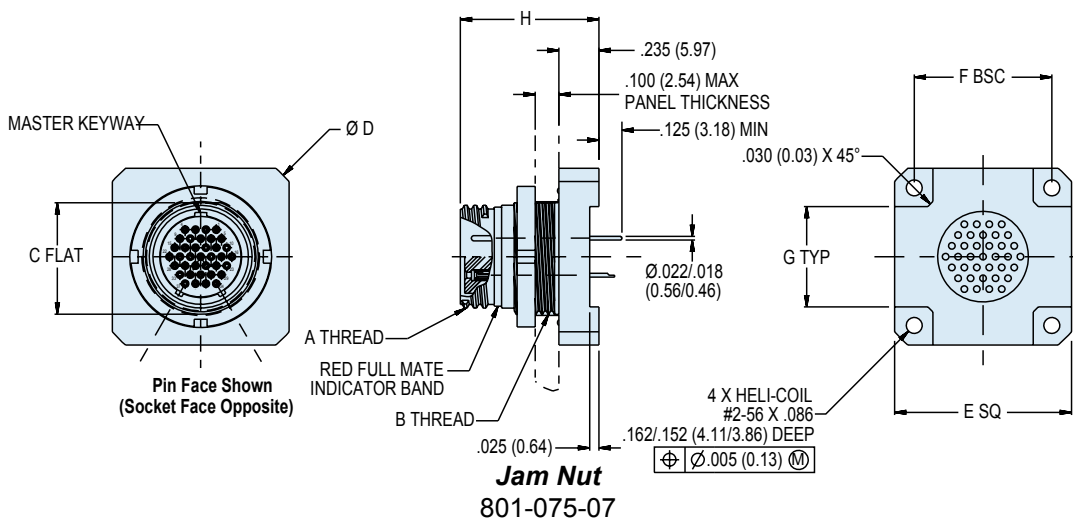
Dimensions in inches (millimeters) and are subject to change without notice.

Series 801 Mighty Mouse Double-Start ACME Threads Jam Nut Mount • Heli-Coil Inserts Fixed Contacts • Shell Sizes 5-21

801-075-07



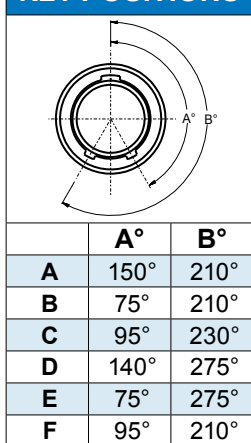
Series 801



DIMENSIONS

Shell Size	A Thread	B Thread	C Flat		Ø D		E SQ		F BSC		G Typ		H	
			In.	mm.	In.	mm.	In.	mm.	In.	mm.	In.	mm.	In.	mm.
5	.3125-.05P-.1L-2A	.3750-28 UN-2A	.348	8.84	.720	18.29	.545	13.84	.363	9.22	.143	3.63	.772	19.61
6	.375-.05P-.1L-2A	.4375-28 UNEF-2A	.408	10.36	.800	20.32	.595	15.11	.423	10.74	.203	3.63	.772	19.61
7	.4375-.05P-1L2A	.5625-32 UN-2A	.534	13.56	.900	22.86	.723	18.36	.483	12.27	.263	3.63	.772	19.61
8	.5000-.05P-1L-2A	.5625-32 UN-2A	.534	13.56	.980	24.89	.723	18.36	.545	13.84	.325	3.63	.772	19.61
9	.5625-.05P-.1L-2A	.6250-28 UN-2A	.594	15.09	1.080	27.43	.790	20.06	.607	15.42	.387	3.63	.772	19.61
10	.6250-.05P-1L-2A	.6875-28 UN-2A	.656	16.66	1.160	29.46	.855	21.72	.670	17.02	.450	11.43	.772	19.61
11	.6875-.05P-1L-2A	.7500-28 UN-2A	.716	18.19	1.220	30.99	.925	21.72	.715	18.16	.495	12.57	.772	19.61
13	.8125-.1P-.2L-2A	.8750-28 UN-2A	.843	21.41	1.370	34.80	1.044	26.52	.812	20.62	.592	15.04	.881	22.38
16	1.0000-.1P-.2L-2A	1.0625-20 UN-2A	1.020	25.91	1.620	41.15	1.230	31.24	.981	24.92	.751	19.08	.881	22.38
17	1.0625-.1P-.2L-2A	1.2500-28 UN-2A	1.094	27.79	1.720	43.69	1.290	32.77	1.060	26.92	.840	21.34	.881	22.38
19	1.1875-.1P-.2L-2A	1.2500-28 UN-2A	1.225	31.16	1.920	48.77	1.415	35.94	1.191	30.25	.971	24.66	.881	22.38
21	1.3125-.1P-.2L-2A	1.3750-28 UN-2A	1.345	34.16	1.100	27.94	1.577	40.06	1.322	33.58	1.102	27.99	.881	22.38

KEY POSITIONS



SERIES 801 JAM NUT PANEL CUTOUT

Shell Size	J Flat		Ø K	
	In.	mm.	In.	mm.
5	.358/.354	9.09/8.99	.385	9.78
6	.418/.414	10.62/10.52	.448	11.38
7	.544/.540	13.82/13.72	.573	14.55
8	.544/.540	13.82/13.72	.573	14.55
9	.604/.600	15.34/15.24	.635	16.13
10	.666/.662	16.92/16.81	.698	17.73
11	.726/.722	18.44/18.34	.760	19.30
13	.853/.849	21.67/21.56	.885	22.48
16	1.030/1.026	26.16/26.06	1.073	27.25
17	1.104/1.100	28.04/27.94	1.135	28.83
19	1.235/1.231	31.37/31.27	1.260	32.00
21	1.355/1.351	34.42/34.32	1.385	35.18

Dimensions in inches (millimeters) and are subject to change without notice.

© 2010 Glenair, Inc.

CAGE Code 06324

Printed in U.S.A.

GLENAIR, INC. • 1211 AIR WAY • GLENDALE, CA 91201-2497 • 818-247-6000 • FAX 818-500-9912

www.glenair.com

D-17

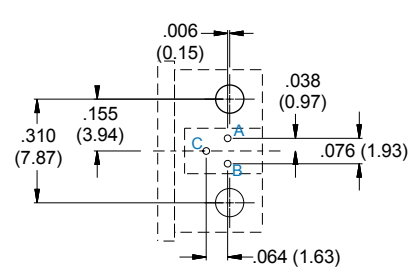
E-Mail: sales@glenair.com



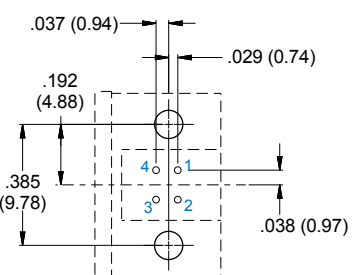
Series 801 Mighty Mouse Double-Start ACME Threads Right Angle PCB Receptacles 801-023 PCB Footprints

RIGHT ANGLE PCB FOOTPRINTS: PIN CONNECTORS

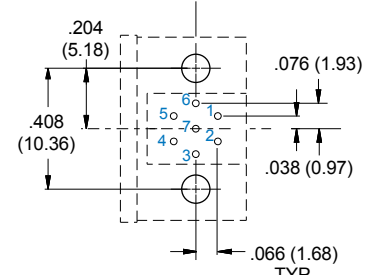
Patterns shown are for component mounting side of PCB.
Contacts are .022 (0.56) max. diameter, mounting holes are .093 (2.36) diameter



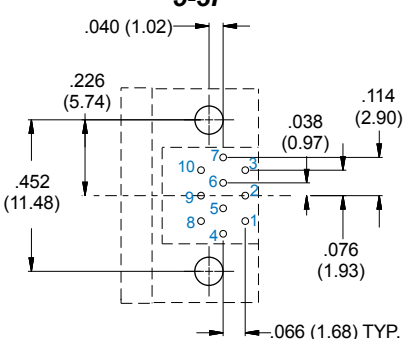
5-3P



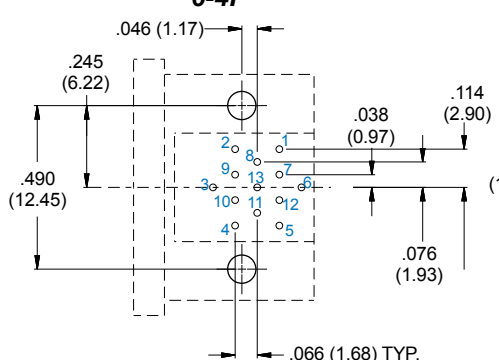
6-4P



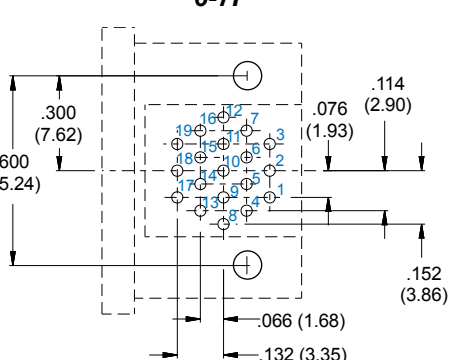
6-7P



7-10P



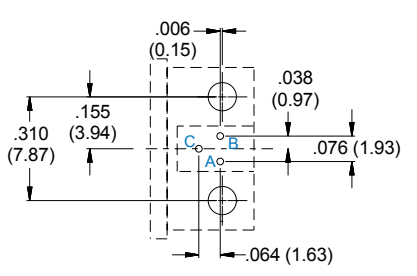
8-13P



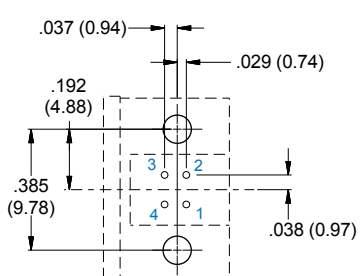
9-19P

RIGHT ANGLE PCB FOOTPRINTS: SOCKET CONNECTORS

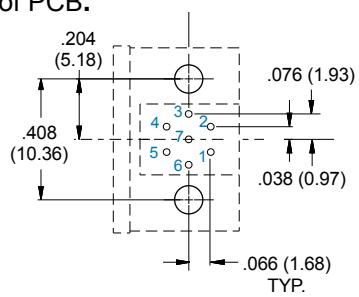
Patterns shown are for component mounting side of PCB.



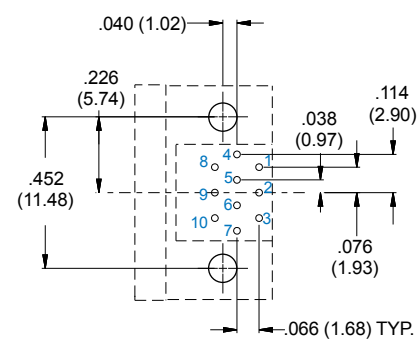
5-3S



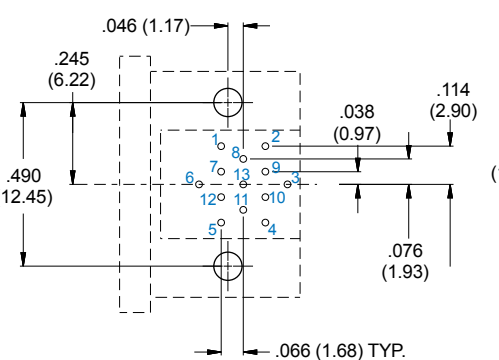
6-4S



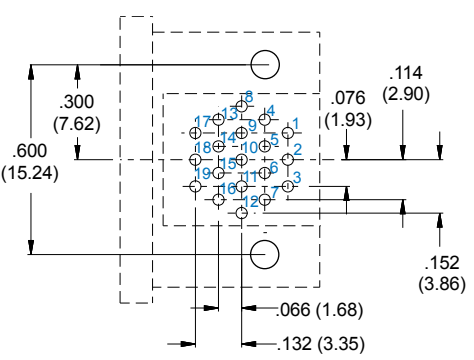
6-7S



7-10S



8-13S



9-19S

Dimensions in inches (millimeters) and are subject to change without notice.

Series 801 Mighty Mouse Double-Start ACME Threads Hermetic Receptacle Ordering Information

801-012



Series 801



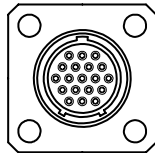
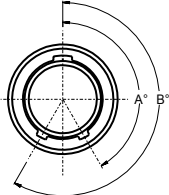
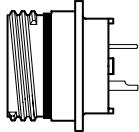
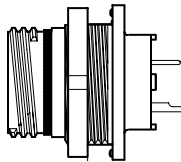
Series 801 Solder Mount Hermetic

Series 801 Hermetic Receptacles feature 304L stainless steel shells, fused vitreous glass insulators and Alloy 52 iron alloy contacts.

1 X 10⁻⁷ cc/second maximum helium leak rate.

Three Shell Styles: solder mount, jam nut or square flange.

Solder Cup Contacts or **PC Tail Contacts** for attachment to flexible or rigid circuits or rigid boards.

HOW TO ORDER																										
Sample Part Number																										
801-012	-03	Z1	7-10	P	A																					
Series	Shell Style	Shell Material / Finish	Shell Size/Insert Arrangement	Contact Type	Shell Key Position																					
801-012 Hermetic Receptacles with Printed Circuit Board Contacts or Solder Cup Contacts	 -02 Square Flange	Z1 Stainless Steel / Passivated ZB Stainless Steel with Olive Drab Cadmium Finish	SEE CONTACT ARRANGEMENTS PAGE D-2	P Pin, Solder Cup C Pin, PC Tail S Socket, Solder Cup D Socket, PC Tail	A Normal B Pos. B C Pos. C D Pos. D E Pos. E F Pos. F  <table border="1"> <thead> <tr> <th></th> <th>A°</th> <th>B°</th> </tr> </thead> <tbody> <tr> <td>A</td> <td>150°</td> <td>210°</td> </tr> <tr> <td>B</td> <td>75°</td> <td>210°</td> </tr> <tr> <td>C</td> <td>95°</td> <td>230°</td> </tr> <tr> <td>D</td> <td>140°</td> <td>275°</td> </tr> <tr> <td>E</td> <td>75°</td> <td>275°</td> </tr> <tr> <td>F</td> <td>95°</td> <td>210°</td> </tr> </tbody> </table>		A°	B°	A	150°	210°	B	75°	210°	C	95°	230°	D	140°	275°	E	75°	275°	F	95°	210°
						A°	B°																			
	A					150°	210°																			
B	75°	210°																								
C	95°	230°																								
D	140°	275°																								
E	75°	275°																								
F	95°	210°																								
-03 Solder Mount 	-07 Jam Nut 																									

Dimensions in inches (millimeters) and are subject to change without notice.

© 2010 Glenair, Inc.

CAGE Code 06324

Printed in U.S.A.

GLENAIR, INC. • 1211 AIR WAY • GLENDALE, CA 91201-2497 • 818-247-6000 • FAX 818-500-9912

www.glenair.com

D-19

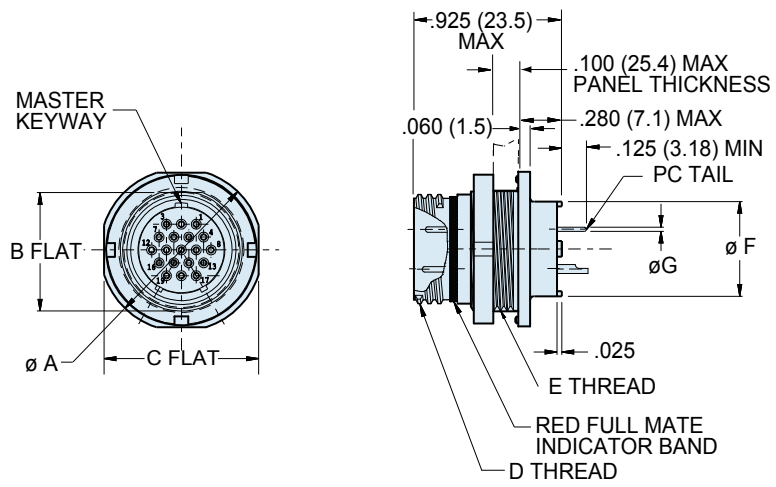
E-Mail: sales@glenair.com



Series 801 Mighty Mouse Double-Start ACME Threads Hermetic Jam Nut Connector Dimensions

801-012-07

D



DIMENSIONS

Shell Size	Ø A		B Flat		C Flat		D Thread	E Thread UN-2A	Ø F		Ø G Tail Dia.
	In.	mm.	In.	mm.	In.	mm.			In.	mm.	
5	.575	14.61	.350	8.89	.545	13.84	.3125-.05P-.1L-2A	.375-28	.244	6.20	#23
6	.635	16.13	.410	10.41	.595	15.11	.375-.05P-.1L-2A	.4375-28	.330	8.38	.018/.022 (0.46/0.56)
7	.755	19.18	.536	13.61	.723	18.36	.4375-.05P-1L2A	.5625-32	.432	10.97	#20
8	.755	19.18	.536	13.61	.723	18.36	.5000-.05P-1L-2A	.5625-32	.493	12.52	.024/.028 (0.61/0.71)
9	.830	21.08	.596	15.14	.790	20.07	.5625-.05P-.1L-2A	.625-28	.551	14.00	#16
10	.890	22.61	.658	16.71	.855	21.72	.6250-.05P-1L-2A	.6875-28	.620	15.75	.060/.064 (1.52/1.63)
13	1.078	27.38	.845	21.46	1.044	26.52	.8125-.1P-.2L-2a	.875-28	.703	17.86	#12
16	1.264	32.11	1.022	25.96	1.230	31.24	1.000-.1P-.2L-2A	1.0625-20	.863	21.92	.092/.096 (2.34/2.44)
17	1.325	33.66	1.096	27.84	1.290	32.77	1.062-.1P-.2L-2A	1.125-28	.912	23.16	
21	1.625	41.28	1.345	34.16	1.577	40.06	1.3125-.1P-.2L-2A	1.375-28	1.170	29.72	

KEY POSITIONS

	A°	B°
A	150°	210°
B	75°	210°
C	95°	230°
D	140°	275°
E	75°	275°
F	95°	210°

SERIES 801 JAM NUT PANEL CUTOUT

Shell Size	A Flat		Ø B	
	In. ± .002	mm. ± 0.05	In. ± .002	mm. ± 0.05
5	.356	9.04	.385	9.78
6	.416	10.57	.447	11.35
7	.542	13.77	.572	14.53
8	.542	13.77	.572	14.53
9	.602	15.29	.635	16.13
10	.666	16.92	.697	17.70
13	.851	21.62	.885	22.48
16	1.028	26.11	1.075	27.31
17	1.102	27.99	1.135	28.83
21	1.354	34.39	1.385	35.18

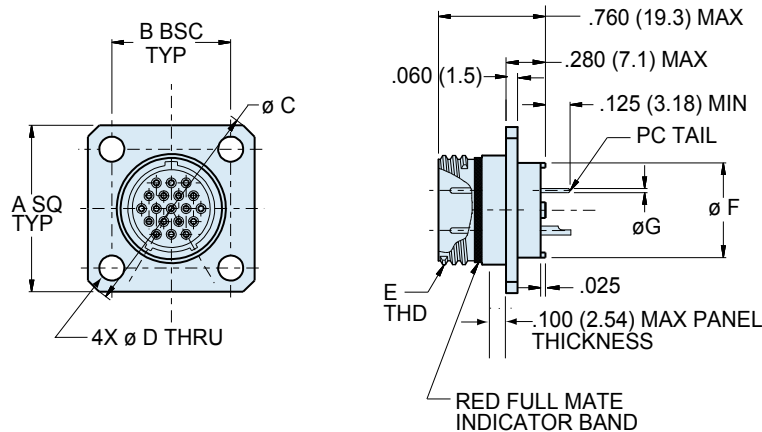
Dimensions in inches (millimeters) and are subject to change without notice.

Series 801 Mighty Mouse Double-Start ACME Threads Hermetic Square Flange Connector Dimensions

801-012-02



Series 801



DIMENSIONS

Shell Size	A		B BSC		Ø C		Ø D		E Thread	Ø F		Ø G Tail Dia
	In.	mm.	In.	mm.	In.	mm.	In. ±.003	mm. ± 0.08		In.	mm.	
5	.530	13.46	.363	9.22	.680	17.27	.093	2.36	.3125-.05P-1L-2A	.244	6.20	#23
6	.590	14.99	.423	10.74	.750	19.05	.093	2.36	.375-.05P-1L-2A	.330	8.38	.018/.022 (0.46/0.56)
7	.650	16.51	.483	12.27	.850	21.59	.093	2.36	.4375-.05P-1L2A	.432	10.97	#20
8	.712	18.08	.545	13.84	.938	23.83	.093	2.36	.5000-.05P-1L2A	.493	12.52	.024/.028 (0.61/0.71)
9	.850	21.59	.607	15.42	1.125	28.58	.128	3.25	.5625-.05P-1L-2A	.551	14.00	#16
10	.890	22.61	.670	17.02	1.188	30.18	.128	3.25	.6250-.05P-1L2A	.620	15.75	.060/.064 (1.52/1.63)
13	1.030	26.16	.812	20.62	1.375	34.93	.128	3.25	.8125-.1P-.2L-2A	.703	17.86	#12
16	1.219	31.96	.981	24.92	1.625	41.28	.128	3.25	1.000-.1P-.2L-2A	.863	21.92	.092/.096 (2.34/2.44)
17	1.280	32.51	1.060	26.92	1.700	43.18	.128	3.25	1.062-.1P-.2L-2A	.912	23.16	
21	1.430	36.32	1.205	30.61	1.938	49.23	.128	3.25	1.3125-.1P-.2L-2A	1.170	29.72	

SERIES 801 PANEL CUTOUT

Shell Size	Ø A		Ø B		Ø C	
	In.	mm.	In.	mm.	In.	mm.
5	.330	8.38	.363	9.22	.093	2.36
6	.390	9.91	.423	10.74	.093	2.36
7	.450	11.43	.483	12.27	.093	2.36
8	.510	12.95	.545	13.84	.093	2.36
9	.575	14.61	.607	15.42	.128	3.25
10	.640	16.26	.670	17.02	.128	3.25
13	.825	20.96	.812	20.65	.128	3.25
16	1.015	25.78	.981	24.92	.128	3.25
17	1.075	27.31	1.060	26.92	.128	3.25
21	1.325	33.66	1.205	30.61	.128	3.25

KEY POSITIONS

	A°	B°
A	150°	210°
B	75°	210°
C	95°	230°
D	140°	275°
E	75°	275°
F	95°	210°

Dimensions in inches (millimeters) and are subject to change without notice.

© 2010 Glenair, Inc.

CAGE Code 06324

Printed in U.S.A.

GLENAIR, INC. • 1211 AIR WAY • GLENDALE, CA 91201-2497 • 818-247-6000 • FAX 818-500-9912

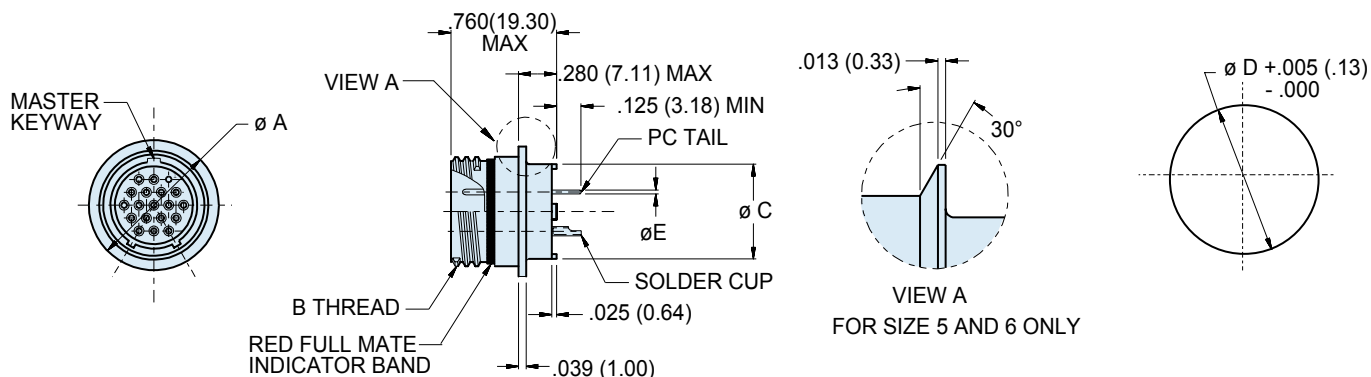
www.glenair.com

D-21

E-Mail: sales@glenair.com

Series 801 Mighty Mouse Double-Start ACME Threads Hermetic Solder Mount Connector Dimensions

801-012-03



Solder Mount Hermetic

801-012-03

DIMENSIONS

Shell Size	Ø A		B Thread	Ø C		Ø D Panel Cutout		Ø E Tail Dia.
	In.	mm.		In.	mm.	In.	mm.	
5	.395	10.03	.3125-.05P-.1L-2A	.244	6.20	.319	8.10	#23
6	.455	11.56	.375-.05P-.1L-2A	.330	8.38	.376	9.55	.018/.022 (0.46/0.56)
7	.520	13.21	.4375-.05P-1L-2A	.432	11.97	.438	11.13	#20
8	.580	14.73	.5000-.05P-1L-2A	.493	12.52	.438	11.13	.024/.028 (0.61/0.71)
9	.645	16.38	.5625-.05P-.1L-2A	.551	14.00	.563	14.30	#16
10	.705	18.01	.6250-.05P-1L-2A	.620	15.75	.438	11.13	.060/.064 (1.52/1.63)
13	.895	22.73	.8125-.1P-.2L-2A	.703	17.86	.814	20.68	#12
16	1.080	27.43	1.000-.1P-.2L-2A	.863	21.92	1.007	25.58	.092/.096 (2.34/2.44)
17	1.145	29.08	1.062-.1P-.2L-2A	.912	23.16	1.067	27.10	
21	1.395	35.43	1.3125-.1P-.2L-2A	1.170	29.72	1.320	33.53	

KEY POSITIONS

	A°	B°
A	150°	210°
B	75°	210°
C	95°	230°
D	140°	275°
E	75°	275°
F	95°	210°

Dimensions in inches (millimeters) and are subject to change without notice.

CAGE Code 06324

Printed in U.S.A.

© 2010 Glenair, Inc.

GLENAIR, INC. • 1211 AIR WAY • GLENDALE, CA 91201-2497 • 818-247-6000 • FAX 818-500-9912

www.glenair.com

D-22

E-Mail: sales@glenair.com

Series 801 Mighty Mouse Double-Start ACME Threads Sav-Con® Connector Saver Ordering Information

801-017



Series 801



801-017 Sav-Con®

Glenair Sav-Con® Connector Savers are designed to protect connectors that are subject to repeated mating and unmating cycles. Sav-Con® Connector Savers prevent costly repair or replacement of expensive connectors while preserving the quality and integrity of the connector by absorbing connect and disconnect abuse.

Protect Equipment

Equipment connectors that are mated frequently during manufacturing, test, check-out phases and environmental test programs can be protected by Glenair Sav-Con® Connector Savers.

Prolong the Service Life of Test Cables

Glenair Sav-Con® Connector Savers mated to test-cable connectors take the punishment of repetitive matings and unmatings.

HOW TO ORDER SERIES 801 SAV-CON® CONNECTORS

Sample Part Number

801-017	Z1	13-37	P	A
Series	Shell Material / Finish	Shell Size- Insert Arrangement	Contact Type	Shell Key Position
801-017 Series 801 Connector Saver	<p>C Aluminum / Black Anodize (Non-Conductive) RoHS Compliant</p> <p>M Aluminum / Electroless Nickel RoHS Compliant</p> <p>NF Aluminum / Cadmium with Olive Drab Chromate</p> <p>ZN Aluminum / Zinc-Nickel with Olive Drab Chromate</p> <p>ZNU Aluminum / Zinc-Nickel with Black Chromate</p> <p>MT Aluminum / Nickel-PTFE RoHS Compliant</p> <p>Z1 Stainless Steel / Passivated RoHS Compliant</p>	SEE CONTACT ARRANGEMENTS PAGE D-2	<p>P Pin Contact on Plug Side, Socket Contact on Receptacle Side</p> <p>S Socket Contact on Plug Side, Pin Contact on Receptacle Side</p>	<p>A Position A (Normal)</p> <p>B Position B</p> <p>C Position C</p> <p>D Position D</p>

Dimensions in inches (millimeters) and are subject to change without notice.

© 2010 Glenair, Inc.

CAGE Code 06324

Printed in U.S.A.

GLENAIR, INC. • 1211 AIR WAY • GLENDALE, CA 91201-2497 • 818-247-6000 • FAX 818-500-9912

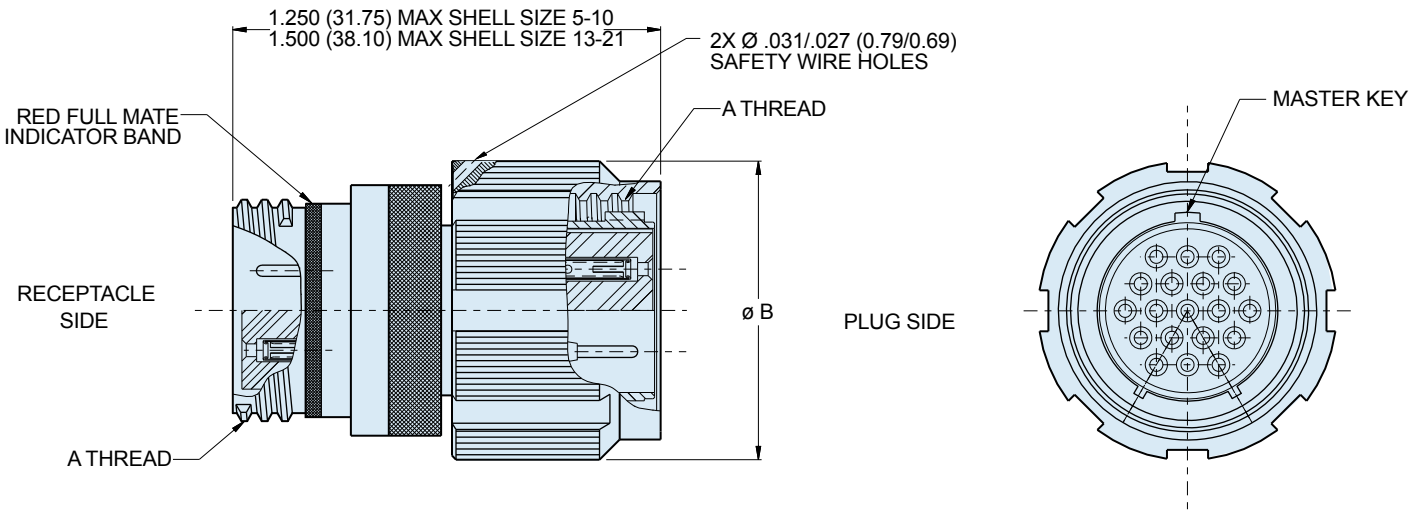
www.glenair.com

D-23

E-Mail: sales@glenair.com



**Series 801 Mighty Mouse Double-Start ACME Threads
Sav-Con® Connector Saver
801-017**



DIMENSIONS

Shell Size	A Threads	Ø B	
		In.	mm.
5	.3125-.05P-.1L-2	.540	13.72
6	.375-.05P-.1L-2	.600	15.24
7	.4375-.05P-.1L-2	.680	17.27
8	.5000-.05P-.1L-2	.750	19.05
9	.5625-.05P-.1L-2	.810	20.57
10	.6250-.05P-.1L-2	.880	22.35
13	.8125-.1P-.2L-2	1.050	26.67
16	1.000-.1P-.2L-2	1.240	31.50
17	1.062-.1P-.2L-2	1.300	33.02
21	1.3125-.1P-.2L-2	1.550	39.37

SPECIFICATIONS

Current Rating	#23 5 AMPS, #20HD 7.5 A., #16 13 A., #12 23 A.
Dielectric Withstanding Voltage	#23 500 VAC RMS, #20HD 750 VAC, #12 and #16 1800 VAC
Insulation Resistance	5000 megohms minimum
Operating Temperature	-55° C. to +150° C.
Shock	300 g.
Vibration	37 g.
Shielding Effectiveness	55 dB minimum from 100MHz to 1000MHz.
Magnetic Permeability	2.0 µ maximum
Durability	2000 mating cycles

MATERIALS AND FINISHES

Shells, Jam Nuts	Aluminum alloy or stainless steel
Contacts	Copper alloy, 50 µInch gold plated
Insulators	Liquid crystal polymer (LCP)
Seal	Fluorosilicone rubber
See Series 80 General Information for complete material and finish specs.	

SERIES 801 KEY POSITIONS

	PLUG		RECEPTACLE	
Key Position	Key Rotation			
	A	B	A	B
Normal (A)	150°	210°	150°	210°
B	75°	210°	75°	210°
C	95°	230°	95°	230°
D	140°	275°	140°	275°

Dimensions in inches (millimeters) and are subject to change without notice.

Series 801 Mighty Mouse Double-Start ACME Threads Overmolded Cordset Ordering Information

801-026



Overmolded Cordset

Abrasion-Resistant Polyurethane Jacket provides cold temperature flexibility and high strength. Low smoke/zero halogen material meets requirements for low toxicity.

90% Tinned Copper Braid is terminated directly to connector with stainless steel **BAND-IT®** strap.

Watertight Overmold provides strain relief and protection.

Series 801 Harsh Environment Shielded Cordsets

These overmolded cordsets withstand abrasion and chemical exposure. Low smoke zero halogen jacket reduces the amount of toxic and corrosive gasses emitted during combustion. Cable construction features silver coated stranded conductors with TFE insulation, tinned copper braid shield and extruded polyurethane jacket. Choose single-ended pigtails or double-ended "back-to-back" versions. Braid shield is attached directly to connector with **BAND-IT®** straps. Semi-rigid polyamide overmold provides strain relief and environmental sealing.

Series 801 cordsets are now available with size #20HD, #16 and #12 contacts. Ordering information is found on the following pages.

HARSH ENVIRONMENT CORDSET SPECIFICATIONS

Cable Jacket Material	Thermoplastic Polyurethane, Black, Low-Smoke, Zero-Halogen
Cable Shield	Tin-Coated Copper Braid, 90% Minimum Coverage
Conductors	Silver Coated Stranded Wire, TFE Insulated, Per M22759/11
BAND-IT® Shield Termination Band	Stainless Steel
Current Rating	#23 5 Amps, #20HD 7.5 Amps, #16 13 Amps, #12 23 Amps
Test Voltage (Dielectric Withstanding Voltage)	#23 500 VAC, #20HD 750 VAC, #16 and #12 1800 VAC Sea Level
Insulation Resistance	200 megohms minimum
Operating Temperature	-30° C. to +105° C.
Solvent Resistance, Polyamide Overmold	Excellent Resistance to Most Solvents, Fuels, and Oils; Poor Resistance to Strong Acids and Bipolar Solvents (Alcohol)
Shielding Effectiveness	50 dB minimum from 100MHz to 1000MHz.
Cable jacket Flammability and Toxicity	Toxicity Index 3.9 per NES 713 Oxygen Index 28% per ASTM D-2863 Smoke Index 24 per NES 711

Dimensions in inches (millimeters) and are subject to change without notice.



Series 801 Mighty Mouse Double-Start ACME Threads Overmolded Cordset Ordering Information

801-026 and 801-034

SERIES 801 CORDSETS WITH #23 SIGNAL CONTACTS

Sample Part Number								
801-026	-A	C	4	M	7-10	N	A	-36
Series	End A Connector	End B Connector	Wire Size	Shell Material / Finish	Insert Arr.	Protective Cover	Shell Key Pos.	Length
801-026 Overmolded Cordset, with size #23 Contacts	-A Plug, with Male Pin Contacts	A Plug, with Male Pin Contacts	#22 AWG	M Aluminum / Electroless Nickel	5-3	P Metal Protective Covers Included	A Normal	Overall Length In Inches 12 Inch Min.
	-B Plug, with Female Socket Contacts	B Plug, with Female Socket Contacts	4 #24 AWG	NF Aluminum / Cadmium with Olive Drab Chromate	6-4 6-7 7-10	N No Covers Supplied	B Pos. B	
	-C Receptacle, with Male Pin Contacts	C Receptacle, with Male Pin Contacts		ZNU Aluminum / Zinc-Nickel with Black Chromate	8-13 9-19		C Pos. C	
	-D Receptacle, with Female Socket Contacts	D Receptacle, with Female Socket Contacts		MT Aluminum / Nickel-PTFE	10-26 13-37		D Pos. D	
				Z1 Stainless Steel / Passivated	16-55 17-85		E Pos. E	
			N No Connector (Single-Ended)				F Pos. F	

SERIES 801 CORDSETS WITH #20HD SIGNAL CONTACTS

Sample Part Number								
801-034	-A	C	0	M	7-25	N	A	-36
Series	End A Connector	End B Connector	Wire Size	Shell Material / Finish	Insert Arr.	Protective Cover	Shell Key Pos.	Length
801-034 Overmolded Cordset, with size #20HD Contacts	-A Plug, with Male Pin Contacts	A Plug, with Male Pin Contacts	#20 AWG	M Aluminum / Electroless Nickel	6-23	P Metal Protective Covers Included	A Normal	Overall Length In Inches 12 Inch Min.
	-B Plug, with Female Socket Contacts	B Plug, with Female Socket Contacts	2 #22 AWG	NF Aluminum / Cadmium with Olive Drab Chromate	7-25 8-28 9-210	N No Covers Supplied	B Pos. B	
	-C Receptacle, with Male Pin Contacts	C Receptacle, with Male Pin Contacts		ZNU Aluminum / Zinc-Nickel with Black Chromate	13-220 16-235		C Pos. C	
	-D Receptacle, with Female Socket Contacts	D Receptacle, with Female Socket Contacts		MT Aluminum / Nickel-PTFE	17-241		D Pos. D	
				Z1 Stainless Steel / Passivated			E Pos. E	
			N No Connector (Single-Ended)				F Pos. F	

Dimensions in inches (millimeters) and are subject to change without notice.

© 2010 Glenair, Inc.

CAGE Code 06324

Printed in U.S.A.

GLENAIR, INC. • 1211 AIR WAY • GLENDALE, CA 91201-2497 • 818-247-6000 • FAX 818-500-9912

www.glenair.com

D-26

E-Mail: sales@glenair.com

**Series 801 Mighty Mouse Double-Start ACME Threads
Overmolded Cordset Ordering Information
801-031 and 801-032**



SERIES 801 CORDSETS WITH #16 POWER CONTACTS

Sample Part Number								
801-031	-C	D	6	Z1	13-7	P	A	-72
Series	End A Connector	End B Connector	Wire Size	Shell Material / Finish	Insert Arr.	Protective Cover	Shell Key Pos.	Length
801-031 Overmolded Cordset, with Size #16 Contacts	-A Plug, with Male Pin Contacts	A Plug, with Male Pin Contacts	6 #16 AWG	M Aluminum / Electroless Nickel	6-1	P Metal Protective Covers Included	A Normal	Overall Length In Inches 12 Inch Min.
	-B Plug, with Female Socket Contacts	B Plug, with Female Socket Contacts	8 #18 AWG	NF Aluminum / Cadmium with Olive Drab Chromate	8-2 9-4 10-5 13-7 16-12 17-14	N No Covers Supplied	B Pos. B	
	-C Receptacle, with Male Pin Contacts	C Receptacle, with Male Pin Contacts		ZNU Aluminum / Zinc-Nickel with Black Chromate			C Pos. C	
	-D Receptacle, with Female Socket Contacts	D Receptacle, with Female Socket Contacts		MT Aluminum / Nickel-PTFE			D Pos. D	
			N No Connector (Single-Ended)	Z1 Stainless Steel / Passivated			E Pos. E F Pos. F	

SERIES 801 CORDSETS WITH #12 POWER CONTACTS

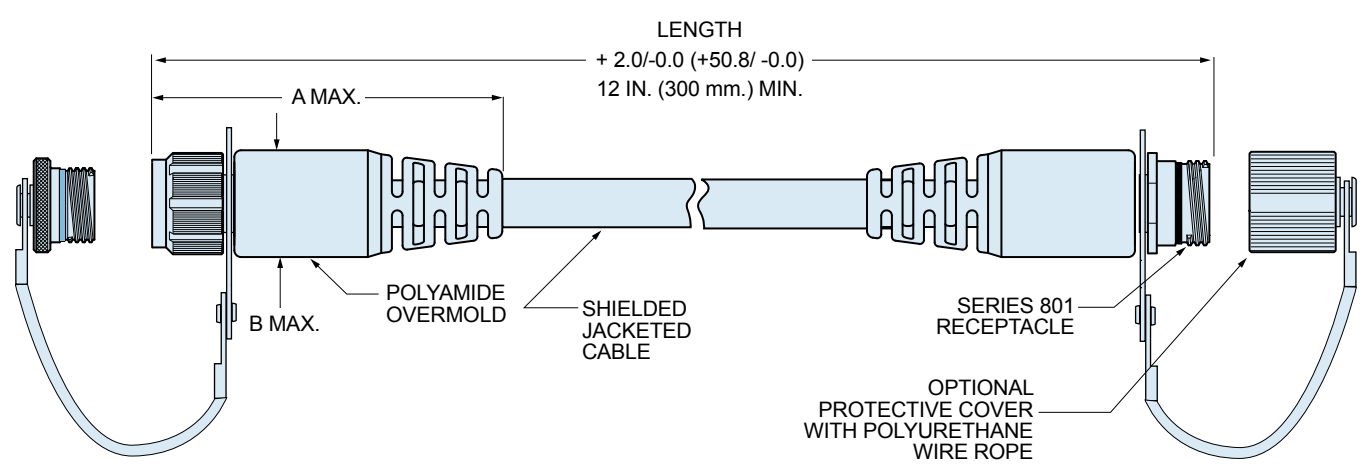
Sample Part Number								
801-032	-B	N	2	NF	17-7	N	A	-48
Series	End A Connector	End B Connector	Wire Size	Shell Material / Finish	Insert Arr.	Protective Cover	Shell Key Pos.	Length
801-032 Overmolded Cordset, with Size #12 Contacts	-A Plug, with Male Pin Contacts	A Plug, with Male Pin Contacts	2 #12 AWG	M Aluminum / Electroless Nickel	7-1	P Metal Protective Covers Included	A Normal	Overall Length In Inches 12 Inch Min.
	-B Plug, with Female Socket Contacts	B Plug, with Female Socket Contacts	4 #14 AWG	NF Aluminum / Cadmium with Olive Drab Chromate	10-2 13-2 13-3 16-5 17-7	N No Covers Supplied	B Pos. B	
	-C Receptacle, with Male Pin Contacts	C Receptacle, with Male Pin Contacts		ZNU Aluminum / Zinc-Nickel with Black Chromate			C Pos. C	
	-D Receptacle, with Female Socket Contacts	D Receptacle, with Female Socket Contacts		MT Aluminum / Nickel-PTFE			D Pos. D	
			N No Connector (Single-Ended)	Z1 Stainless Steel / Passivated			E Pos. E F Pos. F	

Dimensions in inches (millimeters) and are subject to change without notice.

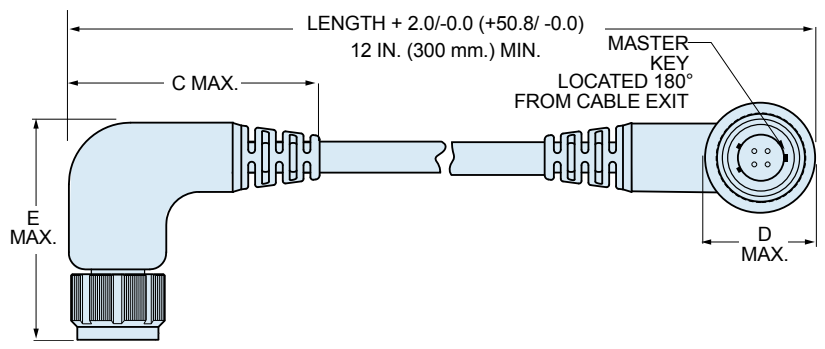


Series 801 Mighty Mouse Double-Start ACME Threads Overmolded Cordset Dimensions

D



RIGHT ANGLE CORDSETS



How To Order Right Angle Cordsets
 Insert the letter "R" after the End A or End B Connector letter designator.

Example

- Straight cable 801-026-AC4Z16-4PA-72
- Right Angle 801-026-ARCR4Z16-4PA-72

DIMENSIONS										
Shell Size	A Max.		B Max.		C Max.		D Max.		E Max.	
	In.	mm.	In.	mm.	In.	mm.	In.	mm.	In.	mm.
5	2.2	55.88	0.6	15.24	1.5	38.1	0.6	15.24	1.9	48.26
6	2.2	55.88	0.6	15.24	1.5	38.1	0.6	15.24	1.9	48.26
7	2.2	55.88	0.7	17.78	1.5	38.1	0.7	17.78	2.1	53.34
8	2.3	58.42	0.75	19.05	1.6	40.64	0.75	19.05	2.2	55.88
9	2.6	66.04	0.85	21.59	1.9	48.26	0.85	21.59	2.4	60.96
10	2.6	66.04	0.85	21.59	1.9	48.26	0.85	21.59	2.4	60.96
13	2.9	73.66	1.1	27.94	2.2	55.88	1.1	27.94	2.9	73.66
16	3.2	81.28	1.3	33.02	2.5	63.5	1.3	33.02	3.3	83.82
17	3.7	93.98	1.4	35.56	3.0	76.2	1.4	35.56	3.5	88.90

Dimensions in inches (millimeters) and are subject to change without notice.

Series 801 Mighty Mouse Double-Start ACME Threads Metal Protective Cover Ordering Information

667-217 and 667-218



Series 801



Protect Connectors From Damage

Machined aluminum covers have rubber gaskets for a watertight fit.

Stainless Steel Fittings and Rings Choose small diameter eye fittings for panel attachment. Larger rings fit under the jam nut or over cable jackets. Split rings can be installed on fully assembled cables.

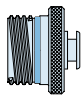
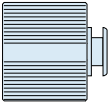

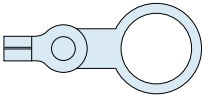
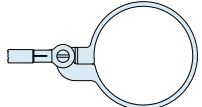
Polyurethane-Coated SST Wire Rope

offers high strength, excellent abrasion resistance and good flexibility. Or, choose Teflon® jacket for high temperature exposure.

Braided Nylon Rope provides excellent flexibility and good abrasion resistance, and can be ordered with slip knot fittings for easy installation on any size cable.

HOW TO ORDER

Sample Part Number

667-217	-M	-G	9	04	-6	
Series	Shell Material / Finish	Attachment Type	Shell Size	Attachment Code	Attachment Length in Inches	
 <p>667-217 Protective Cover for use with Series 801 Plugs</p>  <p>667-218 Protective Cover for use with Series 801 Receptacles</p>	<p>C Aluminum / Black Anodize (Non-Conductive) RoHS Compliant</p> <p>M Aluminum / Electroless Nickel RoHS Compliant</p> <p>NF Aluminum / Cadmium with Olive Drab Chromate</p> <p>ZN Aluminum / Zinc-Nickel with Olive Drab Chromate</p> <p>ZNU Aluminum / Zinc-Nickel with Black Chromate</p> <p>MT Aluminum / Nickel-PTFE RoHS Compliant</p> <p>Z1 Stainless Steel / Passivated RoHS Compliant</p>	<p>-G Nylon Rope</p> <p>-H SST Wire Rope, Teflon® Jacket</p> <p>-N No Attachment</p> <p>-S SST Sash Chain</p> <p>-SK Nylon Rope With Slip Knot</p> <p>-T SST Wire Rope, No Jacket</p> <p>-U SST Wire Rope, Polyurethane Jacket</p> <p>"SST" = Stainless Steel</p>	<p>5</p> <p>6</p> <p>7</p> <p>8</p> <p>9</p> <p>10</p> <p>13</p> <p>16</p> <p>17</p> <p>21</p>	<p>Omit for attachment Types N (No Attachment) and SK (Slip Knot)</p>	<p>Omit for attachment Type N (No Attachment) Example "-6" equals six inch length</p>	
				 <p>Small Ring</p>		<p>01 - .126 (3.20) I.D.</p> <p>02 - .145 (3.68) I.D.</p> <p>04 - .188 (4.78) I.D.</p> <p>06 - .197 (5.00) I.D.</p>
				 <p>Large Ring</p>		<p>14 - .385 (9.78) I.D.</p> <p>15 - .445 (11.30) I.D.</p> <p>16 - .570 (14.48) I.D.</p> <p>17 - .635 (16.13) I.D.</p> <p>18 - .695 (17.65) I.D.</p> <p>19 - .885 (22.48) I.D.</p> <p>20 - 1.070 (27.17) I.D.</p> <p>21 - 1.135 (28.83) I.D.</p> <p>22 - 1.210 (30.73) I.D.</p> <p>23 - 1.275 (32.39) I.D.</p> <p>24 - 1.375 (34.94) I.D.</p>
				 <p>Split Ring</p>		<p>50 - .420 (10.67) I.D.</p> <p>52 - .480 (12.19) I.D.</p> <p>54 - .635 (16.13) I.D.</p> <p>56 - .745 (18.92) I.D.</p> <p>58 - .885 (22.48) I.D.</p> <p>60 - 1.010 (25.65) I.D.</p> <p>64 - 1.125 (28.58) I.D.</p> <p>68 - 1.345 (34.16) I.D.</p>

Dimensions in inches (millimeters) and are subject to change without notice.

© 2010 Glenair, Inc.

CAGE Code 06324

Printed in U.S.A.

GLENAIR, INC. • 1211 AIR WAY • GLENDALE, CA 91201-2497 • 818-247-6000 • FAX 818-500-9912

www.glenair.com

D-29

E-Mail: sales@glenair.com

13 - FEBRUARY - 2013

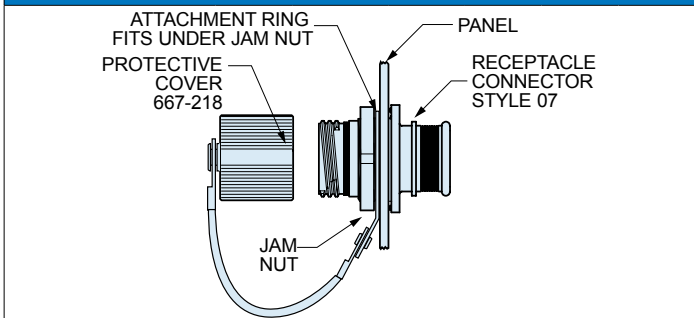


Series 801 Mighty Mouse Double-Start ACME Threads Metal Protective Cover Dimensions

667-217 and 667-218

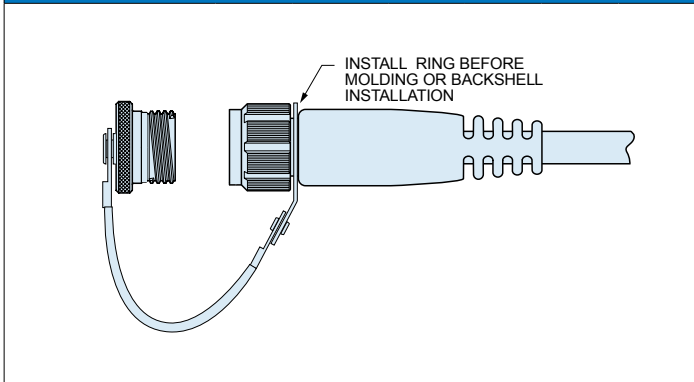
D

Attaching a 667-218 Receptacle Cover to a Rear Panel Mounted Jam Nut Receptacle



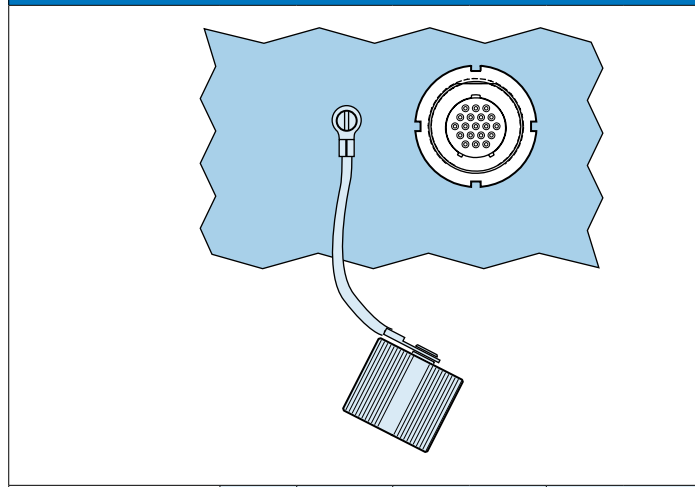
Dia. Code	Shell Size	Ring I.D.		Ring O.D.	
		In.	mm.	In.	mm.
		± .010	±0.25	± .015	± 0.38
14	5	.385	9.78	.510	12.95
15	6	.445	11.30	.565	14.35
16	7, 8	.570	14.48	.685	17.40
17	9	.635	16.13	.760	19.30
18	10	.695	17.65	.820	20.82
19	13	.885	22.48	1.010	25.65
20	16	1.070	27.17	1.195	30.35
21	17	1.135	28.83	1.250	31.75
24	21	1.375	34.93	1.490	37.85

Attaching a Cover to a Cable Assembly With a Solid Ring



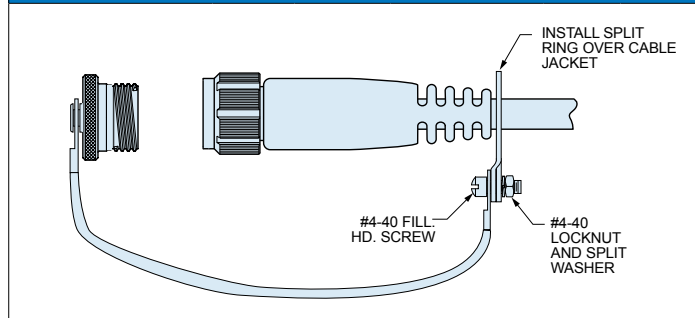
Dia. Code	Shell Size	Ring I.D.		Ring O.D.	
		In.	mm.	In.	mm.
		± .010	±0.25	± .015	± 0.38
14	5,6	.385	9.78	.510	12.95
15	7	.445	11.30	.565	14.35
16	8, 9	.570	14.48	.685	17.40
18	10, 13	.695	17.65	.820	20.82
20	16, 17	1.070	27.17	1.195	30.35
22	21	1.210	30.73	1.312	33.32

Attaching a Cover to a Panel With a Screw



Dia. Code	Screw Size	Ring I.D.		Ring O.D.	
		In.	mm.	In.	mm.
		±.005	±0.13	Max.	Max.
01	#4, M3	.126	3.20	.31	7.9
02	#6	.145	3.68	.31	7.9
04	#8, M4	.188	4.78	.31	7.9
06	#10	.197	5.00	.31	7.9

Attaching a Cover to a Cable Using a Split Ring



Dia. Code	Max. Cable Dia. (in.)	Ring Diameter			
		Min. ID		Max. OD	
		In.	mm.	In.	mm.
50	.410	.420	10.67	.580	14.73
52	.470	.480	12.19	.640	16.26
54	.625	.635	16.13	.796	20.22
56	.735	.745	18.92	.905	22.99
58	.875	.885	22.48	1.046	26.57
60	1.000	1.010	25.65	1.171	29.74
64	1.115	1.125	28.58	1.285	32.64
68	1.335	1.345	34.16	1.505	38.23

Dimensions in inches (millimeters) and are subject to change without notice.

© 2010 Glenair, Inc.

CAGE Code 06324

Printed in U.S.A.

GLENAIR, INC. • 1211 AIR WAY • GLENDALE, CA 91201-2497 • 818-247-6000 • FAX 818-500-9912

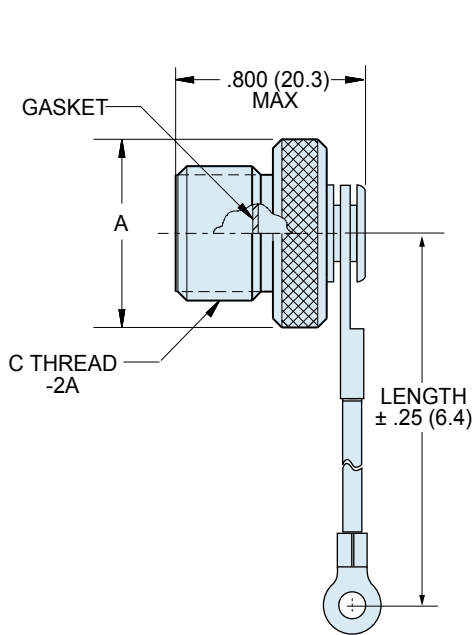
www.glenair.com

D-30

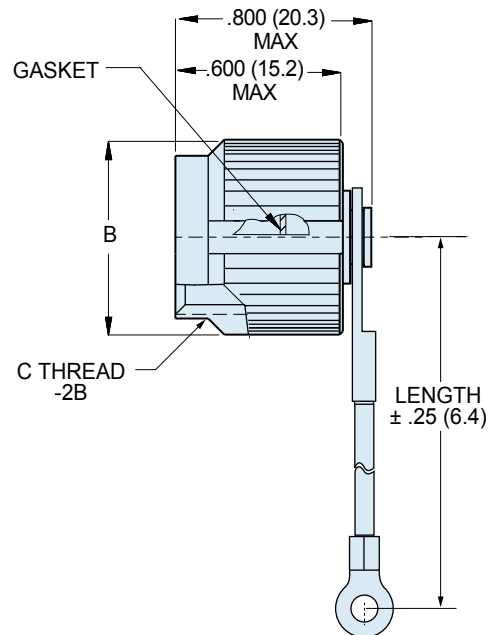
E-Mail: sales@glenair.com

Series 801 Mighty Mouse Double-Start ACME Threads Metal Protective Cover Dimensions

667-217 and 667-218





667-217 Plug Cover



667-218 Receptacle Cover

Shell Size	A Max.		B Max.		C
	In.	mm.	In.	mm.	
5	.465	11.81	.488	12.40	.3125-.05P-1L
6	.525	13.34	.555	14.10	.375-.05P-1L
7	.590	14.99	.615	15.62	.4375-.05P-1L
8	.653	16.59	.675	17.15	.5000-.05-.1L
9	.715	18.16	.840	21.34	.5625-.05P-.1L
10	.778	19.76	.905	22.95	.6250-.05P-1L
13	.965	24.51	.995	25.27	.8125-.1P-.2L
16	1.150	29.21	1.261	32.03	1.000-.1P-.2L
17	1.215	30.86	1.321	33.55	1.062-.1P-.2L
21	1.477	37.52	1.570	39.88	1.3125-.1P-.2L

MATERIALS AND FINISHES	
Cover	Aluminum alloy or stainless steel
Gasket	Silicone rubber
Wire, Hardware	Stainless steel, passivated

LANYARD OPTIONS	
 Nylon Rope	-55° to +100°C., black, very flexible, very good abrasion resistance, good resistance to fuels, .120" (3mm) diameter
 Polyurethane Coated Wire Rope	Black polyurethane over stainless steel rope, -55° to +125°C., very flexible, excellent abrasion resistance, excellent resistance to fuels, .080" (2mm) diameter
 Teflon® Jacketed Wire Rope	Translucent FEP jacket over stainless steel, -55° to +200°C., fair flexibility, good abrasion resistance, .100" diameter
 Sash Chain	Stainless steel, #8 chain, .240" (6mm)
 Slip Knot (SK) for Attaching Covers to Cable	55° to +100°C., black, very flexible, very good abrasion resistance, good resistance to fuels, .120" (3mm) diameter. Length includes .5" (13mm) diameter loop.

Dimensions in inches (millimeters) and are subject to change without notice.



**Series 801 Mighty Mouse Double-Start ACME Threads
Rubber Protective Cover Ordering Information**
809-190 and 809-191

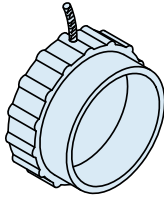
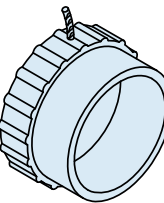

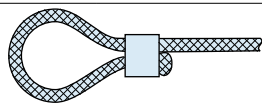

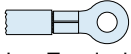
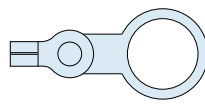


These *splashproof molded rubber covers* fit all Series 801 plugs and receptacles. Braided black nylon lanyard is available with metal rings, cable tie or slipknot for attachment to panel or to cable. -40° to +120° C operating temperature, fungus resistant per MIL-STD-810G Method 508.6.

MATERIALS	
Cover	Neoprene rubber blend, black
Lanyard	.062" (1.57) diameter nylon cord, black
Cable Tie	6/6 nylon, black, SST locking tab
Ring	Stainless steel, black zinc-cobalt finish
Crimp Sleeve	Copper Alloy, black zinc-cobalt finish

D

HOW TO ORDER

Sample Part Number					
809-191	- 05	G	6	- SCS	C
Series	Shell Size	Lanyard Type	Lanyard Length	Attachment Code	Conductive Rubber
 <p>809-190 Protective Cover for use with Series 801 Receptacles</p>  <p>809-191 Protective Cover for use with Series 801 Plugs</p>	<p>-05 -06 -07 -08 -09 -10 -13 -16 -17</p>	<p>-G Nylon Rope (Omit for no lanyard)</p>	<p>Length in Inches</p>	 <p>-WS Nylon Cable Tie, 1.77 Inch (45mm) Maximum Wire Bundle Diameter</p>	<p>Omit for Standard Neoprene C Conductive Rubber</p>
				 <p>-SCS Adjustable Slip Knot with Crimp Sleeve. The sleeve can be crimped with pliers for a permanent attachment.</p>	
				 <p>-00 Lanyard With No Attachment (Fused End)</p>	
				<p>Lug Terminals and Rings</p>	
 <p>Lug Terminal</p>	<p>-01 - .126 (3.20) I.D. -02 - .145 (3.68) I.D. -06 - .188 (4.78) I.D. -07 - .197 (5.00) I.D.</p>				
 <p>Solid Ring</p>	<p>-08 - .385 (9.78) I.D. -09 - .445 (11.30) I.D. -10 - .516 (13.11) I.D. -11 - .570 (14.48) I.D. -12 - .583 (14.81) I.D. -13 - .635 (16.13) I.D. -14 - .695 (17.65) I.D. -15 - .776 (19.71) I.D. -16 - .885 (22.48) I.D. -17 - .896 (25.76) I.D. -18 - 1.015 (25.78) I.D. -19 - 1.070 (27.18) I.D. -20 - 1.135 (28.83) I.D. -21 - 1.141 (28.98) I.D.</p>				

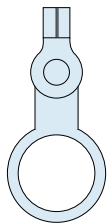
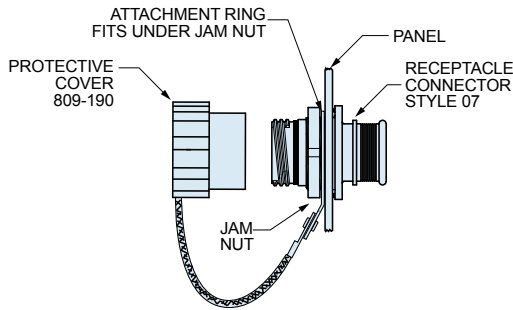
Dimensions in inches (millimeters) and are subject to change without notice.

Series 801 Mighty Mouse Double-Start ACME Threads Rubber Protective Cover Ordering Information

809-190 and 809-191



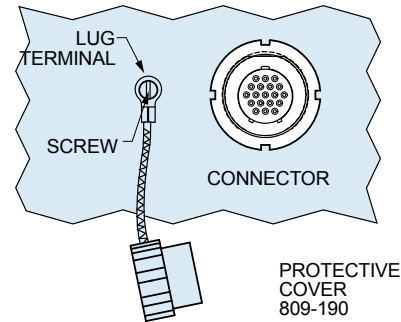
Attaching a 809-190 Receptacle Cover to a Rear Panel Mounted Jam Nut Receptacle



Solid Ring

Dia. Code	Shell Size	Ring I.D.		Ring O.D.	
		In.	mm.	In.	mm.
08	5	±.010	±0.25	±.015	± 0.38
09	6	.385	9.78	.510	12.95
11	7, 8	.445	11.30	.565	14.35
13	9	.570	14.48	.685	17.40
14	10	.635	16.13	.760	19.30
16	13	.695	17.65	.820	20.82
19	16	.885	22.48	1.010	25.65
20	17	1.070	27.17	1.195	30.35
		1.135	28.83	1.250	31.75

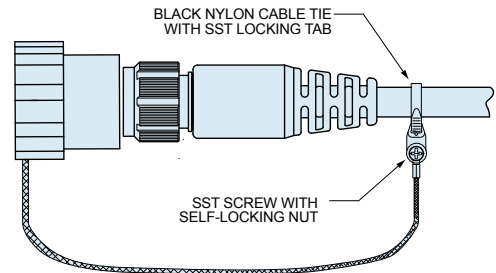
Attaching a Cover to a Panel With a Screw



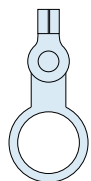
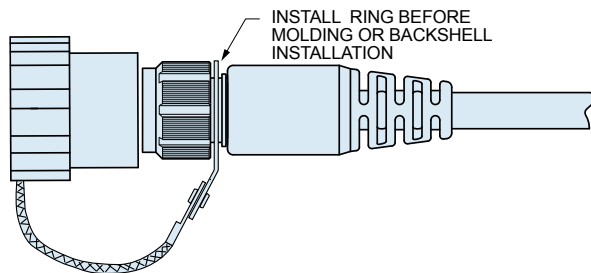
Lug Terminal for Attaching Receptacle Covers to a Panel with a Screw

Dia. Code	Screw Size	Ring I.D.		Ring O.D.	
		In.	mm.	In.	mm.
01	#4, M3	±.005	±0.13	Max.	Max.
02	#6	.126	3.20	.31	7.9
06	#8, M4	.145	3.68	.31	7.9
07	#10	.188	4.78	.31	7.9
		.197	5.00	.31	7.9

Attaching a Cover to a Cable Assembly With Type WS Cable Tie



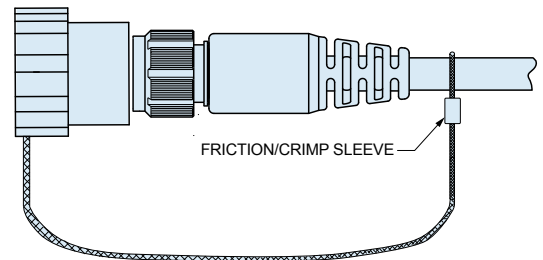
Attaching a Cover to a Cable Assembly With a Solid Ring



Large Ring

Dia. Code	Shell Size	Ring I.D.		Ring O.D.	
		In.	mm.	In.	mm.
08	5,6	±.010	±0.25	±.015	± 0.38
09	7	.385	9.78	.510	12.95
11	8, 9	.445	11.30	.565	14.35
14	10, 13	.570	14.48	.685	17.40
19	16, 17	.695	17.65	.820	20.82
		1.070	27.17	1.195	30.35

Attaching a Cover to a Cable Assembly With Type SCS Slip Knot

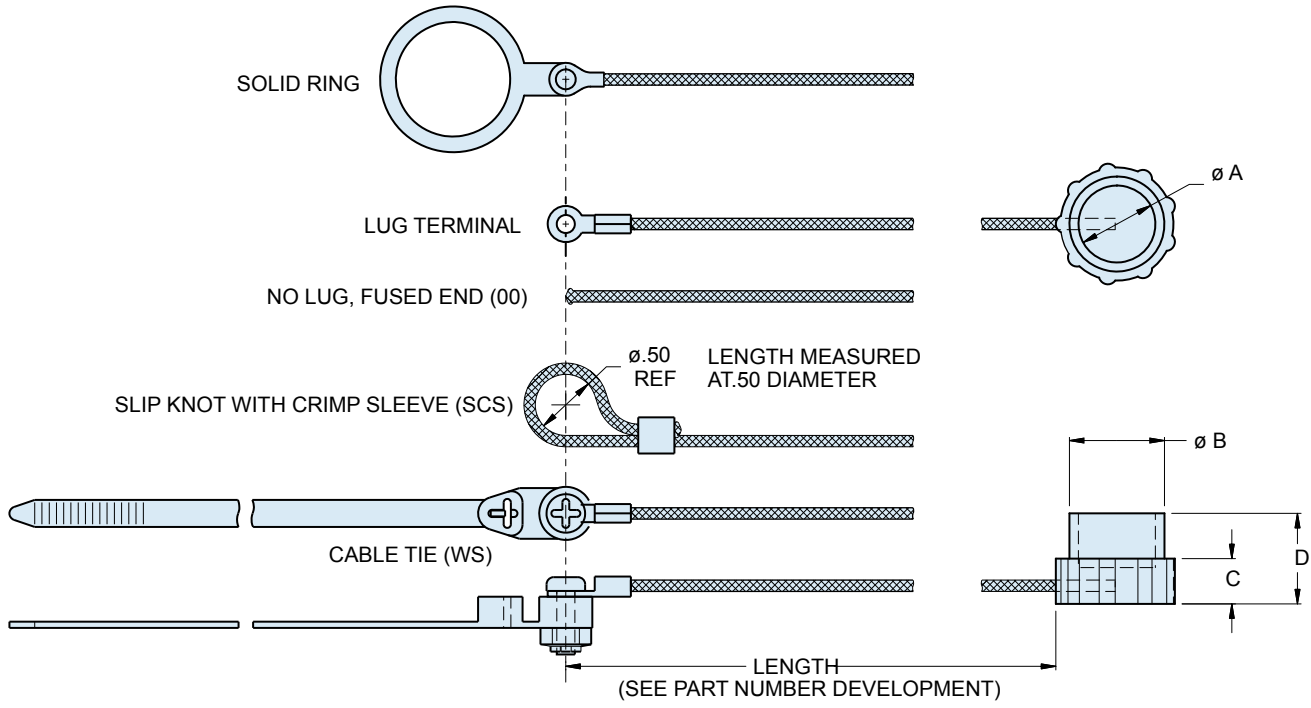


Dimensions in inches (millimeters) and are subject to change without notice.



**Series 801 Mighty Mouse Double-Start ACME Threads
Rubber Protective Cover Ordering Information**
809-190 and 809-191

D



809-190 RECEPTACLE COVER								
Shell Size	Ø A		Ø B		C		D	
	In.	mm.	In.	mm.	In.	mm.	In.	mm.
05	.28	7.1	.41	10.4	.31	7.9	.62	15.7
06	.35	8.9	.47	11.9	.31	7.9	.62	15.7
07	.41	10.4	.53	13.5	.31	7.9	.62	15.7
08	.47	11.9	.60	15.2	.31	7.9	.62	15.7
09	.53	13.5	.66	16.8	.31	7.9	.62	15.7
10	.60	15.2	.72	18.3	.31	7.9	.62	15.7
13	.78	19.8	.91	23.1	.31	7.9	.62	15.7
16	.97	24.6	1.10	27.9	.31	7.9	.62	15.7
17	1.03	26.2	1.16	29.5	.31	7.9	.62	15.7

809-191 PLUG COVER								
Shell Size	Ø A		Ø B		C		D	
	In.	mm.	In.	mm.	In.	mm.	In.	mm.
05	.51	13.0	.70	17.8	.375	9.5	.875	22.2
06	.57	14.5	.76	19.3	.375	9.5	.875	22.2
07	.66	16.8	.85	21.6	.375	9.5	.875	22.2
08	.72	18.3	.91	23.1	.375	9.5	.875	22.2
09	.78	19.8	.97	24.6	.375	9.5	.875	22.2
10	.85	21.6	1.03	26.2	.375	9.5	.875	22.2
13	1.00	25.4	1.21	30.7	.375	9.5	.875	22.2
16	1.21	30.7	1.40	35.6	.375	9.5	.875	22.2
17	1.27	32.3	1.46	37.1	.375	9.5	.875	22.2

Dimensions in inches (millimeters) and are subject to change without notice.

© 2010 Glenair, Inc.

CAGE Code 06324

Printed in U.S.A.

GLENAIR, INC. • 1211 AIR WAY • GLENDALE, CA 91201-2497 • 818-247-6000 • FAX 818-500-9912

www.glenair.com

D-34

E-Mail: sales@glenair.com

SERIES 802 AQUAMOUSE PRODUCT SELECTION GUIDE

Plugs

Page E-4

802-008, 802-009



Series 802 Plugs

"Aqua Mouse" plugs are available in two versions. Select integral molding/banding platform for direct attachment of cable shield and overmolds without the need for an adapter. Or choose plugs with rear accessory thread for attachment of cable sealing backshells. Crimp contacts are packaged with connectors.

Crimp Receptacles

Page E-6

802-010, 802-011



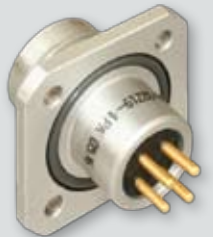
Series 802 Receptacles for Insulated Wire

Jam nut for rear panel mounting, square flange and in-line versions make it easy to find a style for every application. The integral shield termination platform can be used for overmolding, or select accessory threads for use with a variety of strain relief options. Contacts are crimp-type and are packaged with the connector.

Solder Cup/PCB Receptacles

Page E-10

802-012, 802-030



Series 802 Receptacles for PCB or Solder Cup Termination

These panel mount connectors feature gold plated, factory-installed PC tail contacts or solder cup contacts. Contacts are non-removable. Connectors are backfilled with epoxy potting compound.

Hermetic Receptacles

Page E-14

802-013



Series 802 Hermetic Receptacles

Need a miniaturized hermetic for a sealed box or instrument? These stainless steel, glass-sealed connectors are available with solder cup or PC tail contacts. Choose jam nut, square flange or weld mount versions. Contacts are gold plated iron alloy. 100% tested to meet 1×10^{-6} cc/sec helium leakage. Open face pressure rating 1000 PSI.

Cordsets

Page E-19

802-019, 802-022,
802-026, 802-027,
802-028, 802-029,
802-032, 802-033



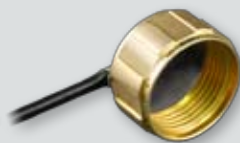
Series 802 Cordsets

Specify overmolded cordsets for optimum convenience and performance. Low smoke zero-halogen polyurethane offers excellent abrasion and chemical resistance. Choose polyamide overmold for medium duty low pressure applications, or select thermoset polyurethane overmold for maximum performance and 2500 PSI rating.

Protective Covers

Page E-23

800-034, 800-041,
800-038, 800-039



Series 802 Protective Covers

Thread-on metal covers provide a watertight seal and prevent damage. Plug covers are 316 stainless steel, and receptacle covers are marine bronze.

Dimensions in inches (millimeters) and are subject to change without notice.

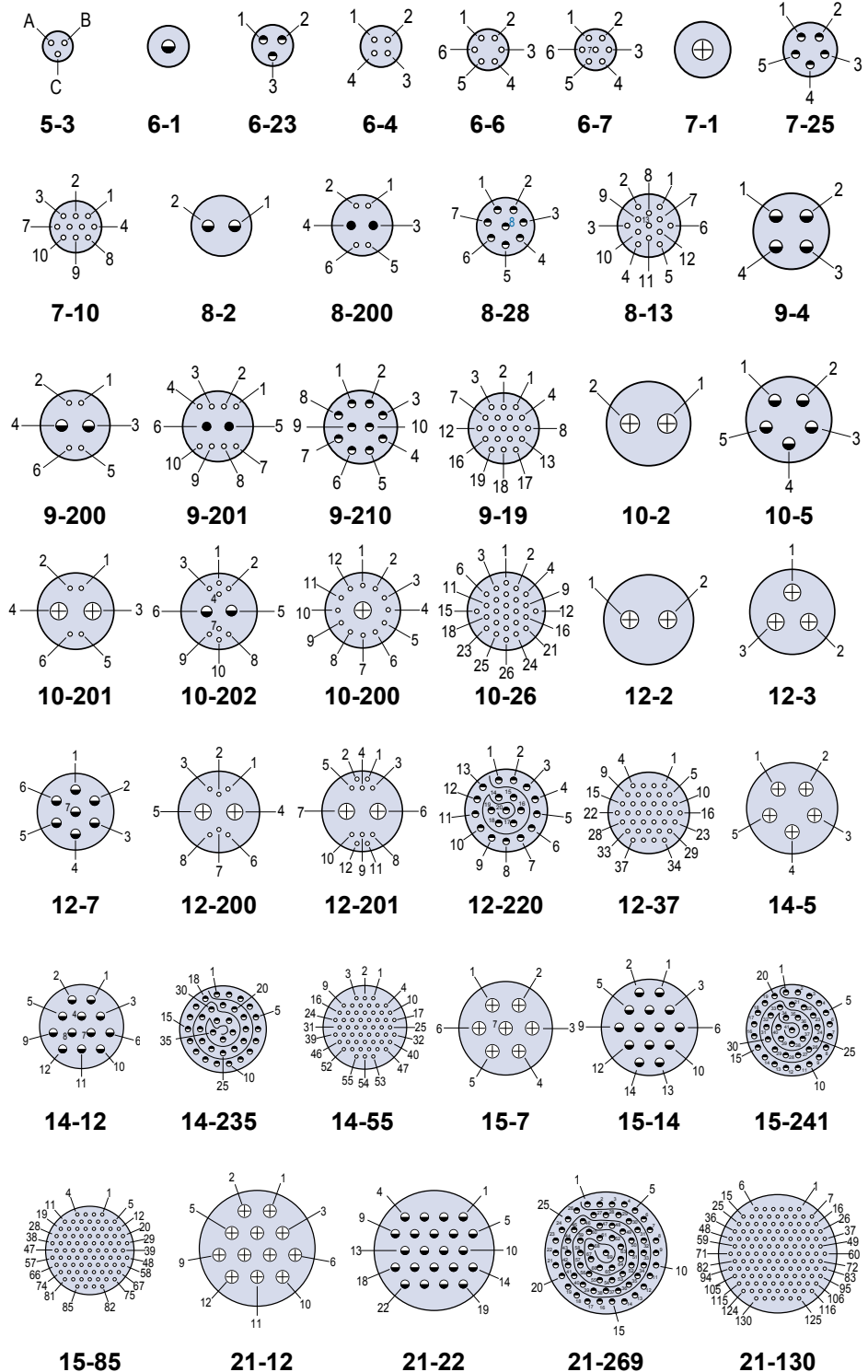
Series 802 "Aqua Mouse" 3500 PSI Submersible Connectors Contact Arrangements

CONTACT ARRANGEMENTS

Contact Arr.	No. of Contacts				
	#23	#20	#20HD	#16	#12
5-3	3				
6-1				1	
6-23			3		
6-4	4				
6-6	6				
6-7	7				
7-1					1
7-25			5		
7-10	10				
8-2				2	
8-28			8		
8-13	13				
8-200	4	2			
9-4				4	
9-210			10		
9-19	19				
9-200	4			2	
9-201	8	2			
10-2					2
10-5				5	
10-26	26				
10-200	12				1
10-201	4				2
10-202	8				2
12-2					2
12-3					3
12-7					7
12-220			20		
12-37	37				
12-200	6				2
12-201	10				2
14-5					5
14-12				12	
14-235			35		
14-55	55				
15-7					7
15-14				14	
15-241			41		
15-85	85				
21-12					12
21-22				22	
21-269			69		
21-130	130				

Mating Face View of Pin Connector (socket connector numbers are reversed)

Contact Legend
#23 ⊕ #20HD ⊕ #20 ● #16 ⊕ #12 ⊕



Dimensions in inches (millimeters) and are subject to change without notice.

CAGE Code 06324

Printed in U.S.A.

© 2010 Glenair, Inc. **GLENAIR, INC. • 1211 AIR WAY • GLENDALE, CA 91201-2497 • 818-247-6000 • FAX 818-500-9912**

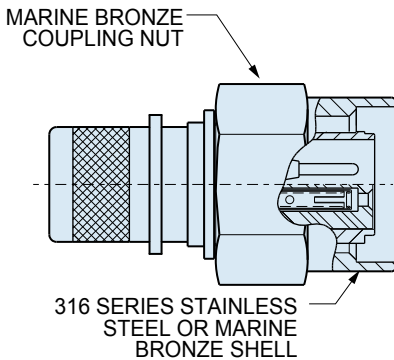
www.glenair.com

E-2

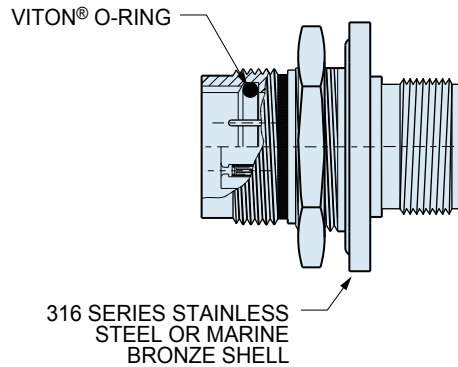
E-Mail: sales@glenair.com

Rev. 09-January-2013

**Series 802 Aqua Mouse
3500 PSI Submersible Connectors
General Information**



Series 802 Plug



Series 802 Receptacle

Stainless Steel or Marine Bronze

Available in ten sizes from 1 to 130 contacts, Series 802 connectors feature 316 stainless steel or marine bronze shells. Viton® o-rings resist high temperature and corrosive chemicals.

3500 psi

These connectors withstand up to 3500 PSI hydrostatic pressure in a mated condition. Hermetic versions withstand 1000 PSI open face pressure.

Glenair's Series 802 Aqua Mouse Delivers High-Pressure Sealing and Rugged Design in a Miniature Package

Originally developed for petroleum pipeline inspection equipment, Series 802 connectors withstand exposure to corrosive environments and high pressure. These connectors feature high density crimp Mighty Mouse inserts, 316 stainless steel or marine bronze shells and a "piston" o-ring for hydrostatic sealing. Gold-plated contacts accept #12-30 AWG wire. Printed circuit board receptacles are available, along with hermetic receptacles.



SPECIFICATIONS

Current Rating	#23 5 AMPS, #16 13 A., #12 23 A.
Dielectric Withstanding Voltage	#23 500 VAC RMS, #16 and #12 1800 VAC RMS
Insulation Resistance	5000 megohms minimum
Operating Temperature	-55° C. to +150° C.
Hydrostatic Pressure	3500 PSI mated, 1000 PSI open face (hermetic)
Shock	300 g.
Vibration	37 g.
Durability	2000 mating cycles

MATERIALS AND FINISHES

Shells, Jam Nuts	316 stainless steel or marine bronze
Coupling Nuts	Marine bronze, unplated
Contacts	Copper alloy, 50 µinch gold plated. Socket hood: stainless steel, passivated. Hermetic pin contacts: Nickel-Iron alloy per ASTM-F-30, 50 µinch gold plated.
Insulators	Liquid crystal polymer (LCP) , 30% glass-filled
Contact Retention Clip	Beryllium copper alloy
Interfacial Seal, O-rings	Viton Rubber
Interfacial seal, rear grommet	Fluorosilicone rubber, blue
O-rings	Viton®

Dimensions in inches (millimeters) and are subject to change without notice.



Series 802 Aqua Mouse Submersible Plug Connector Ordering Information

802-008 and 802-009



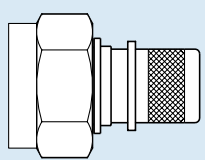
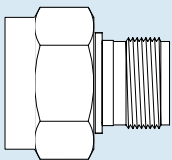
Series 802 Plug

Stainless Steel or **Marine Bronze Shell** with **Marine Bronze Coupling Nut** withstand corrosion in the most hostile environments. Rated for 3500 PSI when mated, these connectors are suitable for the most demanding geophysical and underwater applications.

Gold-Plated Contacts attach to wire with standard mil spec crimp tools. Contacts are packaged with connectors.

Two Shell Styles: Integral platform for direct shield attachment using **BAND-IT** termination system, or accessory thread for attaching accessories.

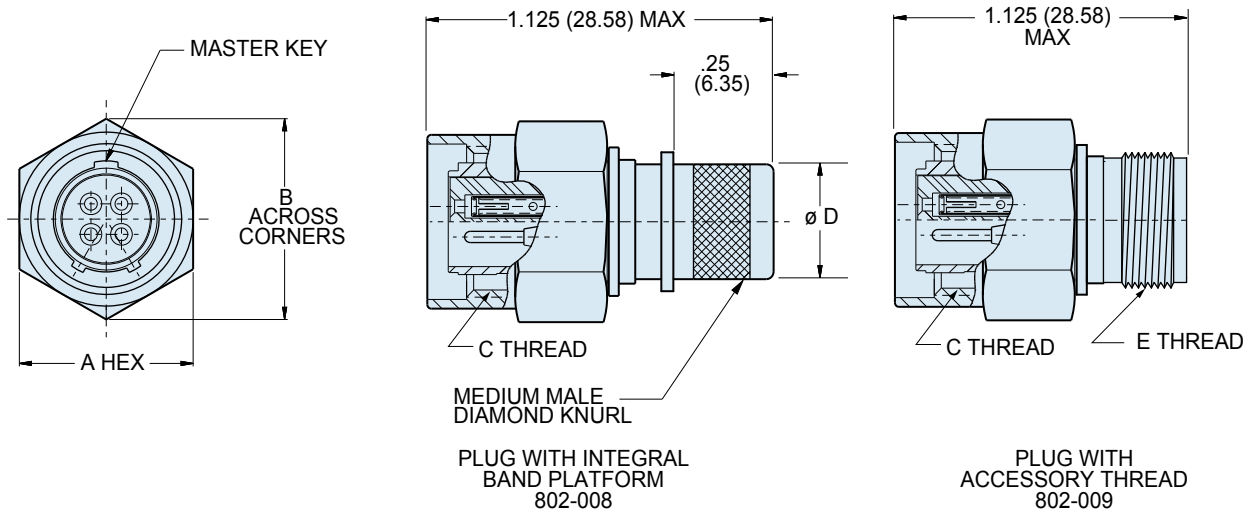
HOW TO ORDER SERIES 802 PLUGS

Sample Part Number					
802-009	-06	Z1	9-19	S	A
Series	Shell Style	Shell Material / Finish	Shell Size- Insert Arrangement	Contact Type	Shell Key Position
 <p>802-008 Plug with Banding/ Molding Platform</p>  <p>802-009 Plug with Accessory Thread</p>	<p>-06 Plug</p>	<p>Z1 Stainless Steel Shell / Passivated, with Marine Bronze Coupling Nut</p> <p>ZM Stainless Steel Shell / Electroless Nickel Plated, with Marine Bronze Coupling Nut</p> <p>AB Marine Bronze Shell and Coupling Nut / Unplated</p>	<p>SEE CONTACT ARRANGEMENTS PAGE E-2</p>	<p>Connector supplied with contacts</p> <p>P Pin</p> <p>S Socket</p> <p>Connector supplied without contacts</p> <p>A Pin Connector, less contacts</p> <p>B Socket Connector, less contacts</p> <p>Connectors with contacts are supplied with signal and/or power crimp contacts. These contacts are not installed.</p> <p>Coaxial contacts and non-standard signal contacts are ordered separately.</p>	<p>A Normal</p> <p>B Pos. B</p> <p>C Pos. C</p> <p>D Pos. D</p>

Dimensions in inches (millimeters) and are subject to change without notice.

Series 802 Aqua Mouse Submersible Plug Connector Dimensions

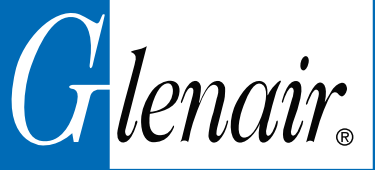
802-008-06 and 802-009-06



DIMENSIONS								
Shell Size	A Hex		B Max.		C Mating Threads	Ø D		E Threads Accessory
	In.	mm.	In.	mm.		In.	mm.	
5	.500	12.70	.560	14.22	.438-28 UNEF	.232	5.90	.2500-32 UNEF-2A
6	.625	15.88	.720	18.29	.562-20 UN	.312	7.92	.3125-32 UNEF-2A
7	.688	17.48	.780	19.81	.625-20 UN	.375	9.53	.4375-28 UNEF-2A
8	.750	19.05	.860	21.84	.687-20 UN	.438	11.13	.5000-28 UNEF-2A
9	.812	20.62	.930	23.62	.750-20 UNEF	.500	12.70	.5625-24 UNEF-2A
10	.875	22.23	1.000	25.40	.812-20 UNEF	.562	14.27	.6250-24 UNEF-2A
12	.938	23.83	1.060	26.92	.875-20 UNEF	.656	16.66	.6875-24 UNEF-2A
14	1.125	28.58	1.250	31.75	1.062-20 UN	.812	20.62	.8750-20 UNEF-2A
15	1.188	30.18	1.320	33.53	1.125-20 UN	.885	22.40	.9375-20 UNEF-2A
21	1.562	39.67	1.700	43.18	1.437-20 UN	1.188	30.18	1.2500-18 UNEF-2A

SERIES 802 PLUG KEY POSITIONS		
Key Position	Key Rotation	
	A°	B°
Normal (A)	150°	210°
B	75°	210°
C	95°	230°
D	140°	275°

Dimensions in inches (millimeters) and are subject to change without notice.



Series 802 Aqua Mouse Submersible Receptacle Ordering Information
802-010 and 802-011



Jam Nut, Rear Mount

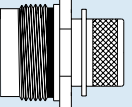
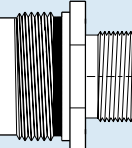
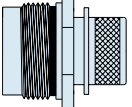
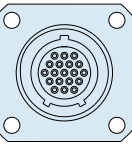
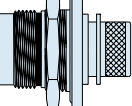


Square Flange

Three Shell Mounting Options: Jam nut with o-ring for rear panel mounting, square flange for front panel mounting, or in-line receptacles for free-hanging cables.

Two Shell Styles: Choose the integral band platform for direct attachment of a cable shield. Install a boot, or overmold a boot over the band platform. An accessory thread is available for attaching strain reliefs and backshells.

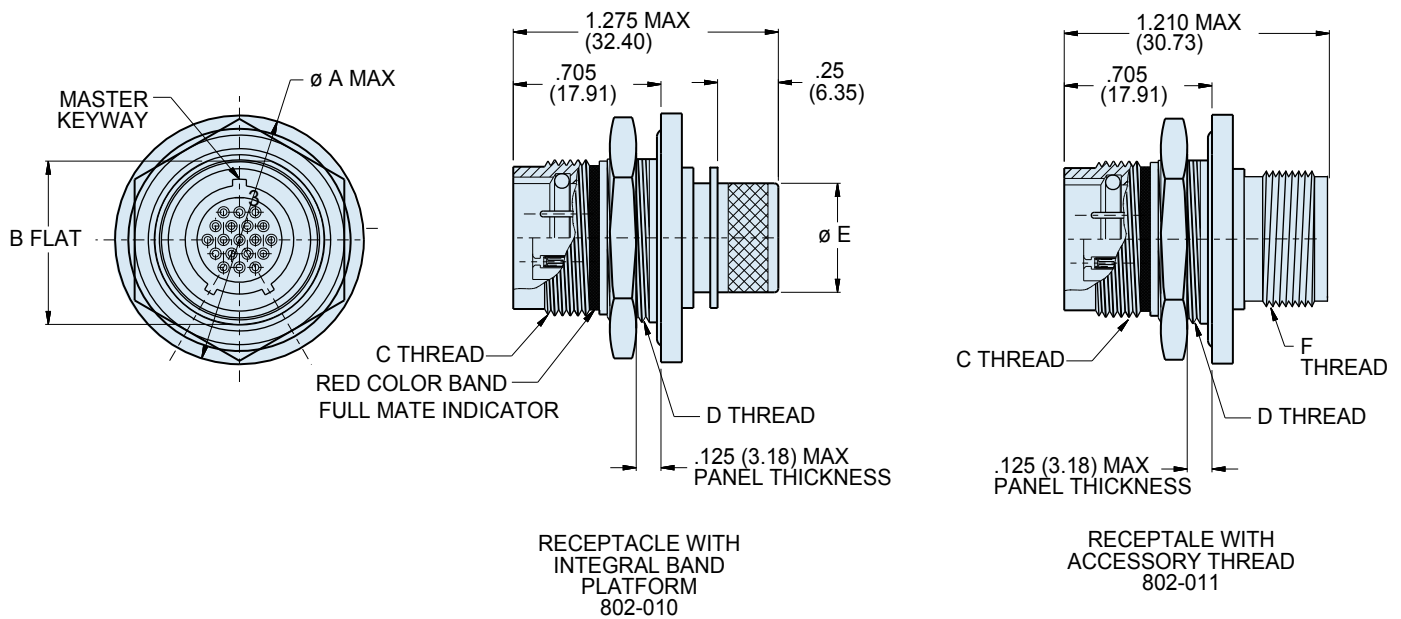
HOW TO ORDER SERIES 802 CRIMP RECEPTACLES

Sample Part Number					
802-011	-02	Z1	10-26	P	B
Series	Shell Style	Shell Material / Finish	Shell Size- Insert Arrangement	Contact Type	Shell Key Position
 802-010 Receptacle with Banding Platform  802-011 Receptacle with Accessory Thread	 -01 In-Line  -02 Square Flange  -07 Jam Nut for Rear Panel Mounting	Z1 Stainless Steel / Passivated ZM Stainless Steel / Electroless Nickel Plated AB Marine Bronze / Unplated	SEE CONTACT ARRANGEMENTS PAGE E-2	Connector supplied with contacts P Pin S Socket Connector supplied without contacts A Pin Connector, less contacts B Socket Connector, less contacts Connectors with contacts are supplied with signal and/or power crimp contacts. These contacts are not installed. Coaxial contacts and non-standard signal contacts are ordered separately.	A Normal B Pos. B C Pos. C D Pos. D

Dimensions in inches (millimeters) and are subject to change without notice.

Series 802 Aqua Mouse Submersible Jam Nut Receptacle Connector Dimensions

802-010-07 and 802-011-07

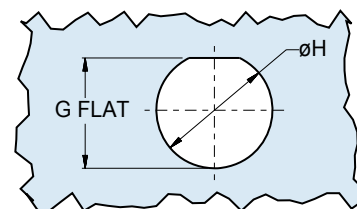


DIMENSIONS

Shell Size	A Max.		B Flat		C Mating Threads	D Jam Nut Threads	Ø E		F Accessory Threads	G Flat		Ø H	
			In.	mm.						In.	mm.	In.	mm.
	±.003	±0.08	±.002	±0.05			±.005	±0.13					
5	.885	22.48	.466	11.84	.438-28 UNEF	.500-32 UN-2A	.232	5.90	.2500-32 UNEF-2A	.473	12.01	.510	12.95
6	1.010	25.65	.591	15.01	.562-20 UN	.625-28 UN-2A	.312	7.92	.3125-32 UNEF-2A	.603	15.32	.635	16.13
7	1.072	27.23	.653	16.59	.625-20 UN	.687-28 UN-2A	.375	9.53	.4375-28 UNEF-2A	.662	16.81	.698	17.73
8	1.135	28.83	.716	18.19	.687-20 UN	.750-28 UN-2A	.438	11.13	.5000-28 UNEF-2A	.714	18.14	.760	19.30
9	1.195	30.35	.778	19.76	.750-20 UNEF	.812-28 UN-2A	.500	12.70	.5625-24 UNEF-2A	.785	19.94	.822	20.88
10	1.260	32.00	.827	21.01	.812-20 UNEF	.875-28 UN-2A	.562	14.27	.6250-24 UNEF-2A	.835	21.21	.885	22.48
12	1.322	33.58	.890	22.61	.875-20 UNEF	.938-28 UN-2A	.656	16.66	.6875-24 UNEF-2A	.899	22.83	.948	24.08
14	1.510	38.25	1.077	27.36	1.062-20 UN	1.125-28 UN-2A	.812	20.62	.8750-20 UNEF-2A	1.085	27.56	1.135	28.83
15	1.572	39.93	1.140	28.96	1.125-20 UN	1.188-28 UN-2A	.885	22.40	.9375-20 UNEF-2A	1.155	29.34	1.198	30.43
21	1.940	49.28	1.464	37.19	1.4375-20 UN	1.500-28 UN-2A	1.188	30.18	1.2500-20 UNEF-2A	1.473	37.41	1.510	39.12

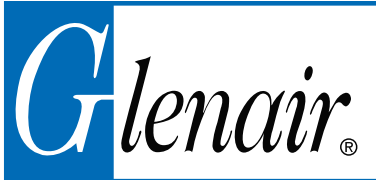
SERIES 802 RECEPTACLE KEY POSITIONS

Key Position	Key Rotation	
	A°	B°
Normal (A)	150°	210°
B	75°	210°
C	95°	230°
D	140°	275°

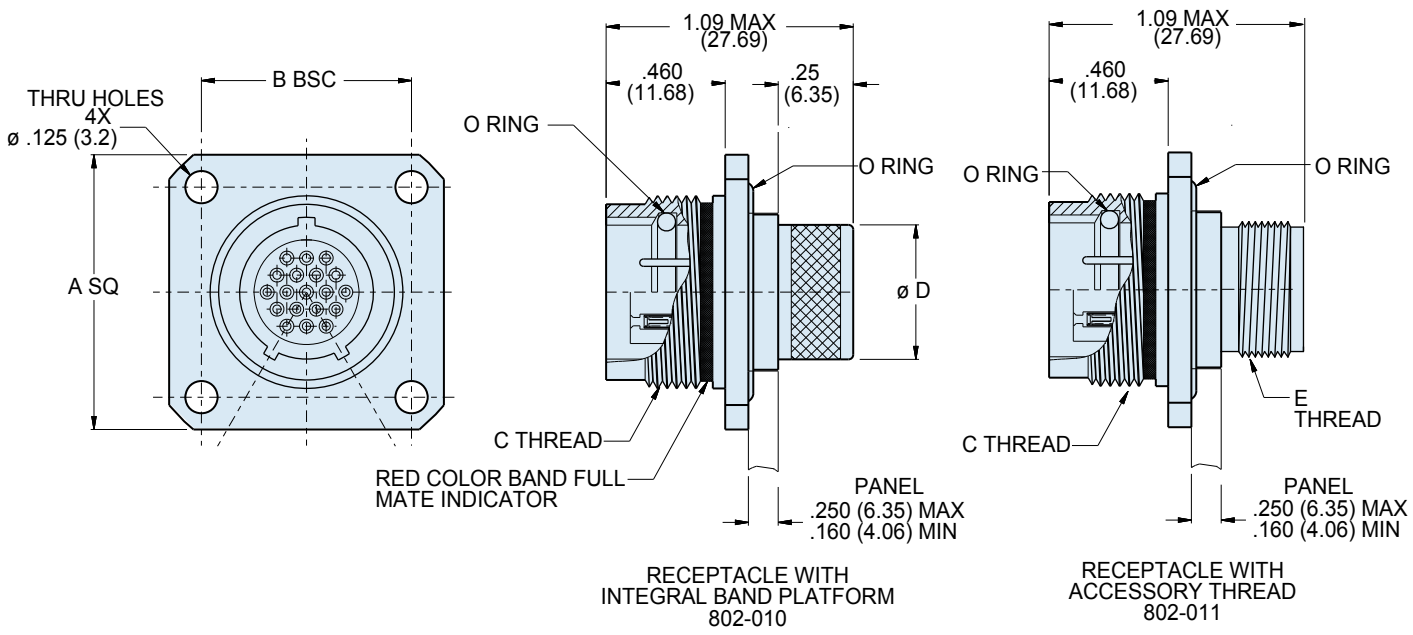


RECOMMENDED PANEL CUTOUT

Dimensions in inches (millimeters) and are subject to change without notice.

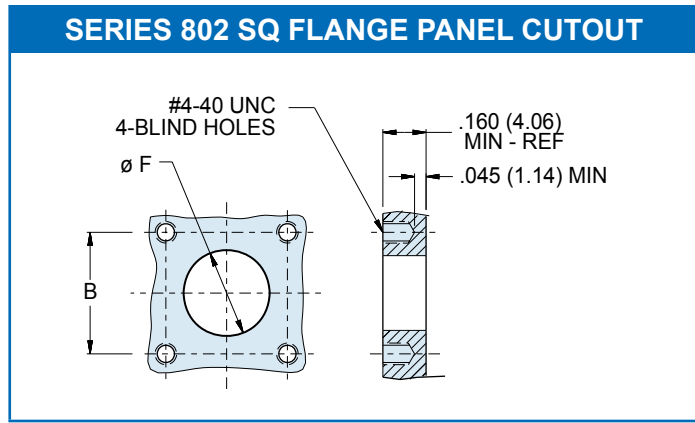


Series 802 Aqua Mouse Submersible Square Flange Receptacle Connector Dimensions 802-010-02 and 802-011-02



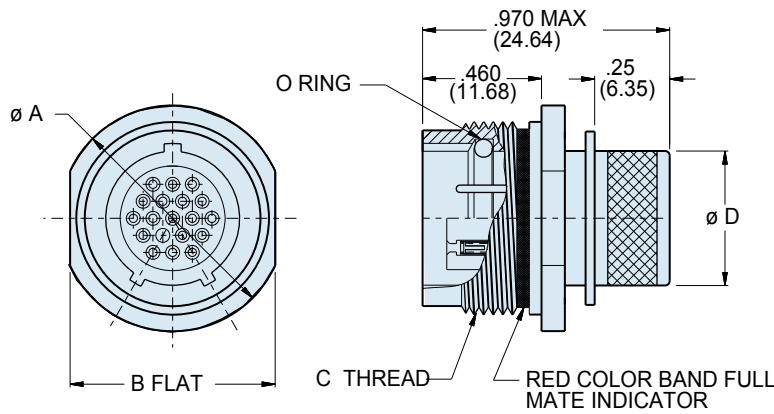
DIMENSIONS										
Shell Size	A Square		B Bsc.		C Mating Threads	Ø D		E Accessory Threads	Ø F	
	In.	mm.	In.	mm.		In.	mm.		In.	mm.
5	.885	22.48	.500	12.70	.438-28 UNEF	.232	5.90	.2500-32 UNEF-2A	.327	8.31
6	1.010	25.65	.625	15.88	.562-20 UN	.312	7.92	.3125-32 UNEF-2A	.390	9.91
7	1.072	27.23	.688	17.48	.625-20 UN	.375	9.53	.4375-28 UNEF-2A	.515	13.08
8	1.135	28.83	.750	19.05	.687-20 UN	.438	11.13	.5000-28 UNEF-2A	.577	14.66
9	1.195	30.35	.812	20.62	.750-20 UNEF	.500	12.70	.5625-24 UNEF-2A	.640	16.26
10	1.260	32.00	.875	22.23	.812-20 UNEF	.562	14.27	.6250-24 UNEF-2A	.702	17.83
12	1.322	33.58	.938	23.83	.875-20 UNEF	.656	16.66	.6875-24 UNEF-2A	.765	19.43
14	1.510	38.25	1.125	28.58	1.062-20 UN	.812	20.62	.8750-20 UNEF-2A	.953	24.21
15	1.573	39.95	1.188	30.18	1.125-20 UN	.885	22.40	.9375-20 UNEF-2A	1.015	25.78
21	1.750	44.45	1.375	34.93	1.4375-20 UN	1.188	30.18	1.2500-20 UNEF-2A	1.312	33.32

SERIES 802 RECEPTACLE KEY POSITIONS		
Key Position	Key Rotation	
	A°	B°
Normal (A)	150°	210°
B	75°	210°
C	95°	230°
D	140°	275°

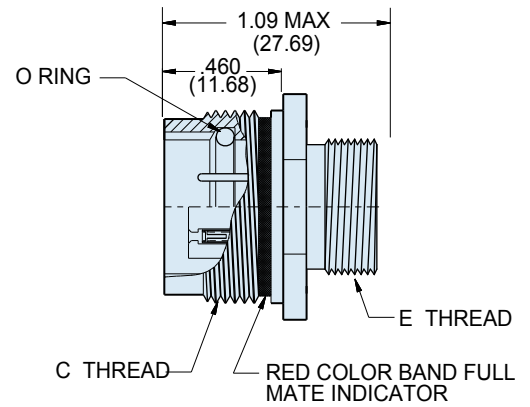


Dimensions in inches (millimeters) and are subject to change without notice.

Series 802 Aqua Mouse Submersible In-Line Receptacle Connector Dimensions 802-010-01 and 802-011-01



IN-LINE RECEPTACLE WITH
INTEGRAL BAND PLATFORM
802-010



IN-LINE RECEPTACLE WITH
ACCESSORY THREAD
802-011

DIMENSIONS								
Shell Size	Ø A		B Flats		C Mating Threads	Ø D		E Accessory Threads
	In.	mm.	In.	mm.		In.	mm.	
5	.560	14.22	.500	12.70	.438-28 UNEF	.232	5.90	.2500-32 UNEF-2A
6	.720	18.29	.625	15.88	.562-20 UN	.312	7.92	.3125-32 UNEF-2A
7	.780	19.81	.688	17.48	.625-20 UN	.375	9.53	.4375-28 UNEF-2A
8	.860	21.84	.750	19.05	.687-20 UN	.438	11.13	.5000-28 UNEF-2A
9	.930	23.62	.812	20.62	.750-20 UNEF	.500	12.70	.5625-24 UNEF-2A
10	1.000	25.40	.875	22.23	.812-20 UNEF	.562	14.27	.6250-24 UNEF-2A
12	1.060	26.92	.938	23.83	.875-20 UNEF	.656	16.66	.6875-24 UNEF-2A
14	1.250	31.75	1.125	28.58	1.062-20 UN	.812	20.62	.8750-20 UNEF-2A
15	1.320	33.53	1.188	30.18	1.125-20 UN	.885	22.40	.9375-20 UNEF-2A
21	1.690	42.93	1.562	39.67	1.4375-20 UN	1.188	30.18	1.2500-20 UNEF-2A

SERIES 802 RECEPTACLE KEY POSITIONS		
Key Position	Key Rotation	
	A°	B°
Normal (A)	150°	210°
B	75°	210°
C	95°	230°
D	140°	275°

Dimensions in inches (millimeters) and are subject to change without notice.



**Square Flange Receptacle
with PCB Contacts**

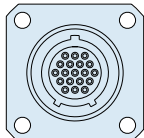
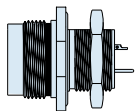
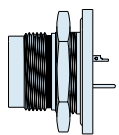
Printed Circuit Board/Solder Cup Receptacles feature low profile shells for minimum protrusion inside enclosures and integral standoffs for board washout. Contacts are non-removable.

Water Immersion, Unmated

Specify **802-012** connectors for applications where open face water immersion is not a requirement. For MIL-STD-810 Method 512G immersion requirements, specify **802-030** watertight connectors. These 802-030 connectors are specially sealed ("MOD-518") and are 100% tested to maintain a helium leak rate of 1×10^{-4} cc/second at one atmosphere pressure differential from -40C to +70C.

HOW TO ORDER SERIES 802 PCB / SOLDER CUP RECEPTACLES

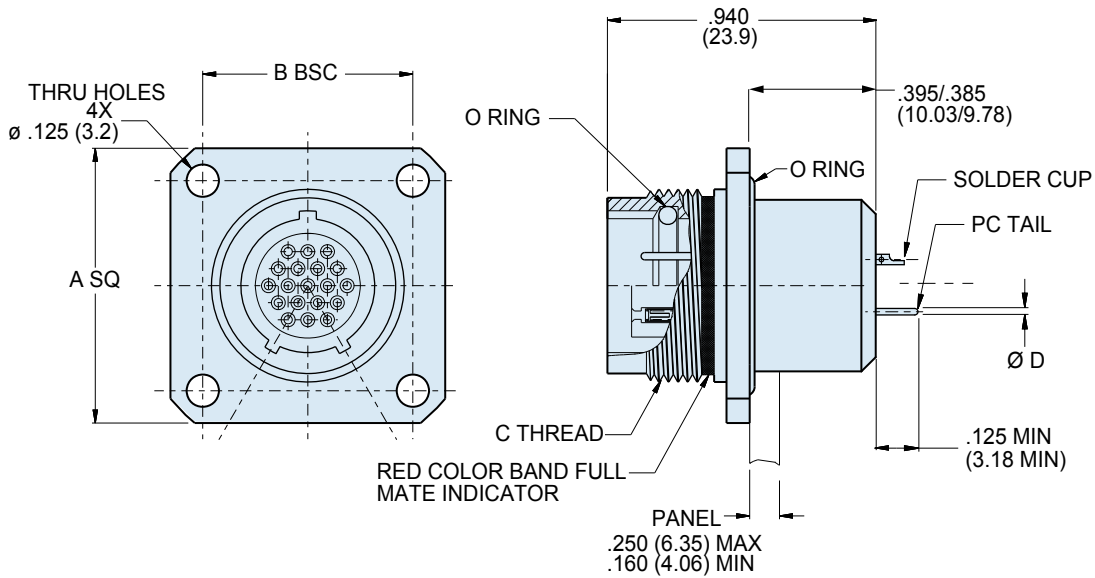
Sample Part Number

802-012	-00	Z1	9-200	P	A
Series	Shell Style	Shell Material / Finish	Shell Size- Insert Arrangement	Contact Type	Shell Key Position
<p>802-012 Receptacle for Solder Cup or PCB Termination, with Standard Epoxy Potting</p>	 -02 Square Flange	<p>Z1 Stainless Steel / Passivated</p> <p>ZM Stainless Steel / Electroless Nickel Plated</p> <p>AB Marine Bronze / Unplated</p>	<p>SEE CONTACT ARRANGEMENTS PAGE E-2</p>	<p>P Pin, PC Tail</p> <p>S Socket, PC Tail</p> <p>E Pin, Solder Cup</p> <p>F Socket, Solder Cup</p>	<p>A Normal</p> <p>B Pos. B</p> <p>C Pos. C</p> <p>D Pos. D</p>
<p>802-030 Receptacle for Solder Cup or PCB Termination, With Special "MOD-518" Sealing For Open Face (unmated) Water Immersion Requirements. 100% Leak Tested.</p>	 -00 Jam Nut for Front Panel Mounting  -07 Jam Nut for Rear Panel Mounting				

Dimensions in inches (millimeters) and are subject to change without notice.

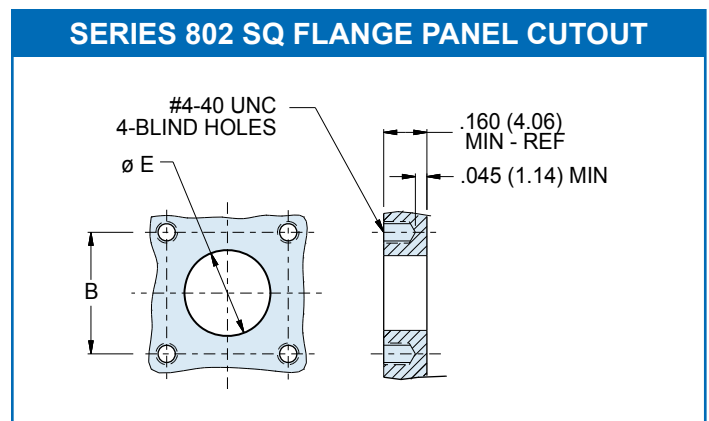
Series 802 Aqua Mouse Submersible Square Flange Receptacle Connector Dimensions

802-012-02, 802-030-02



DIMENSIONS								
Shell Size	A Square		B Bsc.		C Mating Threads	Ø D Tail Dia.	Ø E	
	In.	mm.	In.	mm.			In.	mm.
5	.885	22.48	.500	12.70	.438-28 UNEF	#23	.327	8.31
6	1.010	25.65	.625	15.88	.562-20 UN	.018/.022 (0.46/0.56)	.390	9.91
7	1.072	27.23	.688	17.48	.625-20 UN	#20	.515	13.08
8	1.135	28.83	.750	19.05	.687-20 UN	.024/.028 (0.61/0.71)	.577	14.66
9	1.195	30.35	.812	20.62	.750-20 UNEF	#16	.640	16.26
10	1.260	32.00	.875	22.23	.812-20 UNEF	.060/.064 (1.52/1.63)	.702	17.83
12	1.322	33.58	.938	23.83	.875-20 UNEF	#12	.765	19.43
14	1.510	38.25	1.125	28.58	1.062-20 UN	.092/.096 (2.34/2.44)	.953	24.21
15	1.572	39.93	1.188	30.18	1.125-20 UN		1.015	25.78
21	1.750	44.45	1.375	34.93	1.4375-20 UN		1.312	33.32

SERIES 802 RECEPTACLE KEY POSITIONS		
Key Position	Key Rotation	
	A°	B°
Normal (A)	150°	210°
B	75°	210°
C	95°	230°
D	140°	275°

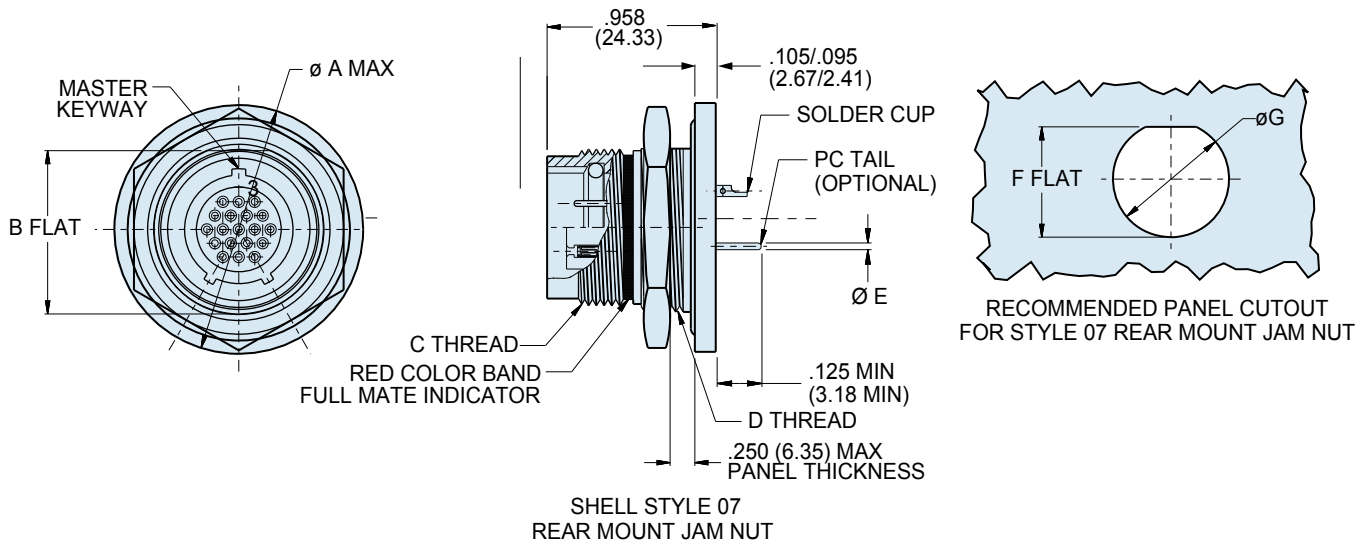


Dimensions in inches (millimeters) and are subject to change without notice.



Series 802 Aqua Mouse Submersible Rear Mount Jam Nut Receptacle Connector Dimensions

802-012-07, 802-012-030



DIMENSIONS

Shell Size	A Max.		B Flat		C Mating Threads	D Threads	Ø E Tail Dia.	F Flat		Ø G	
	In.	mm.	In. ±.003	mm. ±0.08				In. ±.002	mm. ±0.05	In. ±.005	mm. ±0.13
5	.885	22.48	.466	11.84	.438-28 UNEF	.500-32 UN-2A	#23	.473	12.01	.510	12.95
6	1.010	25.65	.591	15.01	.562-20 UN	.625-28 UN-2A	.018/.022 (0.46/0.56)	.603	15.32	.635	16.13
7	1.072	27.23	.653	16.59	.625-20 UN	.687-28 UN-2A	#20	.662	16.81	.698	17.73
8	1.135	28.83	.716	18.19	.687-20 UN	.750-28 UN-2A	.024/.028 (0.61/0.71)	.714	18.14	.760	19.30
9	1.195	30.35	.778	19.76	.750-20 UNEF	.812-28 UN-2A	#16	.785	19.94	.822	20.88
10	1.260	32.00	.827	21.01	.812-20 UNEF	.875-28 UN-2A	.060/.064 (1.52/1.63)	.835	21.21	.885	22.48
12	1.322	33.58	.890	22.61	.875-20 UNEF	.938-28 UN-2A	#12	.899	22.83	.948	24.08
14	1.510	38.25	1.077	27.36	1.062-20 UN	1.125-28 UN-2A	.092/.096 (2.34/2.44)	1.085	27.56	1.135	28.83
15	1.572	39.93	1.140	28.96	1.125-20 UN	1.188-28 UN-2A		1.155	29.34	1.198	30.43
21	1.940	49.28	1.464	37.19	1.4375-20 UN	1.500-28 UN-2A		1.473	37.41	1.510	39.12

SERIES 802 RECEPTACLE KEY POSITIONS

Key Position	Key Rotation	
	A°	B°
Normal (A)	150°	210°
B	75°	210°
C	95°	230°
D	140°	275°

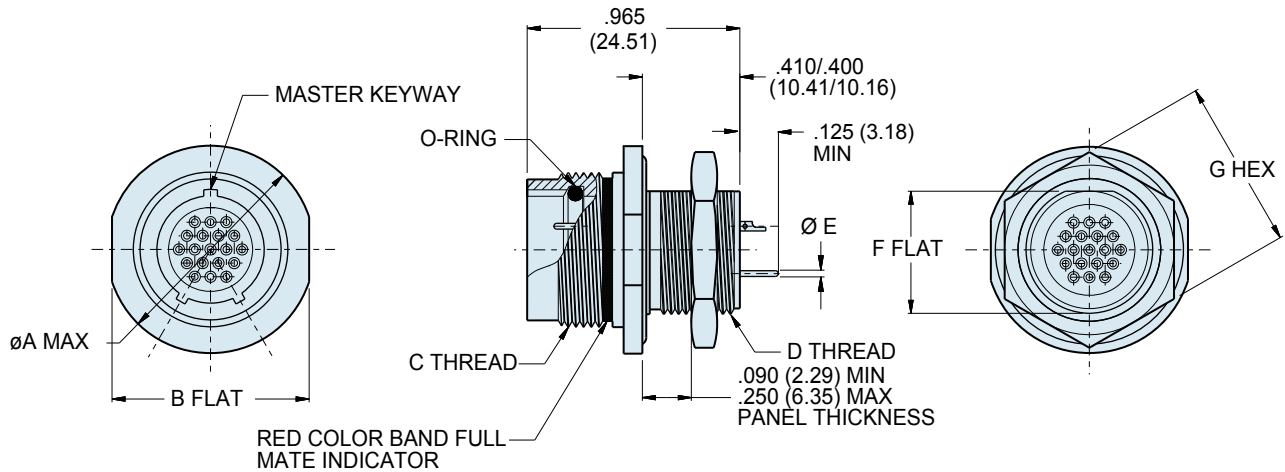
Dimensions in inches (millimeters) and are subject to change without notice.
CAGE Code 06324

Series 802 "Aqua Mouse" Submersible Front Mount Jam Nut Receptacle Connector Dimensions

802-012-00 and 802-030-00



Series 802



SHELL STYLE 00
FRONT MOUNT JAM NUT

DIMENSIONS											
Shell Size	A Max.		B Flat		C Mating Threads	D Threads	Ø E Tail Dia.	F Flat		G Hex	
	In.	mm.	In.	mm.				In.	mm.	In.	mm.
5	.720	18.29	.625	15.88	.438-28 UNEF-2A	.312-28 UN-2A	#23 .018/.022 (0.46/0.56)	.281	7.14	.500	12.70
6	.780	19.81	.750	19.05	.562-20 UN-2A	.438-28 UN-2A		.344	8.74	.625	15.88
7	.910	23.11	.812	20.62	.625-20 UN-2A	.500-32 UN-2A	#20 .024/.028 (0.61/0.71)	.469	11.91	.688	17.48
8	.960	24.38	.875	22.23	.687-20 UN-2A	.562-28 UN-2A		.531	13.49	.750	19.05
9	1.030	26.16	.937	23.80	.750-20 UNEF-2A	.625-28 UN-2A	#16 .060/.064 (1.52/1.63)	.594	15.09	.812	20.62
10	1.090	27.69	1.000	25.40	.812-20 UNEF-2A	.687-28 UN-2A		.656	16.66	.875	22.23
12	1.160	29.46	1.062	26.97	.875-20 UNEF-2A	.750-28 UN-2A	#12 .092/.096 (2.34/2.44)	.719	18.26	.938	23.83
14	1.340	34.04	1.250	31.75	1.062-20 UN-2A	.938-28 UN-2A		.893	22.68	1.125	28.58
15	1.410	35.18	1.312	33.32	1.125-20 UN-2A	1.000-28 UN-2A	.955	24.26	1.188	30.18	
21	1.700	43.18	1.562	39.67	1.4375-20 UN-2A	1.312-28 UN	1.257	31.93	1.500	38.10	

RECEPTACLE KEY POSITIONS

Key Position	Rotation	
	A°	B°
Normal (A)	150°	210°
B	75°	210°
C	95°	230°
D	140°	275°

CUTOUT DIMENSIONS

Shell Size	H Flat		Ø J	
	In.	mm.	In.	mm.
5	.291/.286	7.4/7.3	.322	8.2
6	.417/.412	10.6/10.5	.448	11.4
7	.479/.474	12.2/12.0	.510	13.0
8	.541/.536	13.7/13.6	.572	14.5
9	.604/.599	15.3/15.2	.635	16.1
10	.666/.661	16.9/16.8	.697	17.7
12	.729/.724	18.5/18.4	.760	19.3
14	.903/.898	22.9/22.8	.948	24.1
15	.965/.960	24.5/24.4	1.010	25.7
21	1.267/1.263	32.2/32.1	1.322	33.6

RECOMMENDED PANEL CUTOUT
FOR STYLE 00
FRONT MOUNT JAM NUT

Dimensions in inches (millimeters) and are subject to change without notice.

Series 802 "Aqua Mouse" Submersible Hermetic Receptacle Ordering Information

802-013



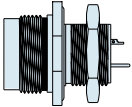
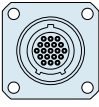
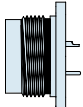
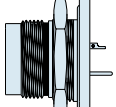
Style 00 Front Mount

Series 802 Hermetic Receptacles feature gold plated iron alloy contacts and compression glass dielectric material. The 316 series stainless steel connector shell provides excellent corrosion protection and is suitable for e-beam welding. Viton® o-rings offer improved resistance to high temperature and harsh chemicals.

1 x 10⁻⁷ cc/Second Maximum Helium Leak Rate. Open face (unmated) pressure rating is 1000 PSI. When mated, Series 802 connectors withstand 3500 PSI hydrostatic pressure.

HOW TO ORDER SERIES 802 HERMETIC RECEPTACLES

Sample Part Number

802-013	-00	Z1	6-7	P	A
Series	Shell Style	Shell Material / Finish	Shell Size- Insert Arrangement	Contact Type	Shell Key Position
802-013 Series 802 Hermetic Receptacle with Solder Cup or PCB Contacts	 -00 Jam Nut for Front Panel Mounting  -02 Square Flange for Front Panel Mounting  -03 Weld Mount  -07 Square Flange for Rear Panel Mounting	Z1 Stainless Steel / Passivated ZL Stainless Steel / Nickel Plated	SEE CONTACT ARRANGEMENTS PAGE E-2	P Pin, PC Tail E Pin, Solder Cup S Socket, Solder Cup D Socket, PC Tail	A Normal B Pos. B C Pos. C D Pos. D

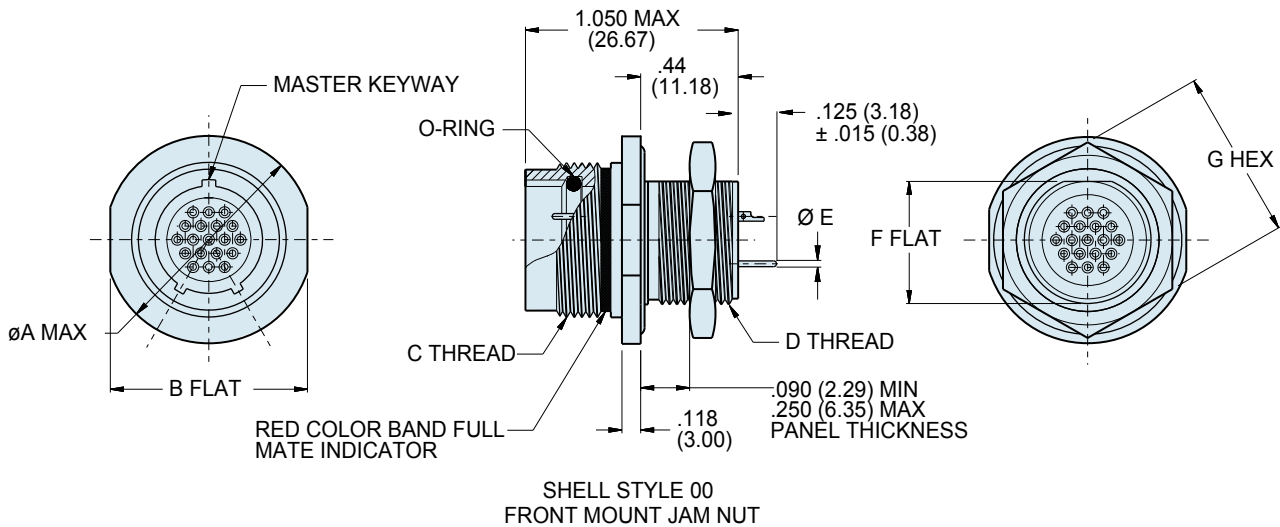
Dimensions in inches (millimeters) and are subject to change without notice.

Series 802 "Aqua Mouse" Submersible Front Mount Jam Nut Receptacle Connector Dimensions

Jam Nut Front Mount Hermetic 802-013-00



Series 802



DIMENSIONS

Shell Size	A Max.		B Flat		C Mating Threads	D Threads	Ø E Tail Dia.	F Flat		G Hex	
	In.	mm.	In.	mm.				In.	mm.	In.	mm.
5	.720	18.29	.625	15.88	.438-28 UNEF-2A	.312-28 UN-2A	#23 .018/.022 (0.46/0.56)	.281	7.14	.500	12.70
6	.780	19.81	.750	19.05	.562-20 UN-2A	.438-28 UN-2A		.344	8.74	.625	15.88
7	.910	23.11	.812	20.62	.625-20 UN-2A	.500-32 UN-2A		.469	11.91	.688	17.48
8	.960	24.38	.875	22.23	.687-20 UN-2A	.562-28 UN-2A	#20 .024/.028 (0.61/0.71)	.531	13.49	.750	19.05
9	1.030	26.16	.937	23.80	.750-20 UNEF-2A	.625-20 UN-2A		.594	15.09	.812	20.62
10	1.090	27.69	1.000	25.40	.812-20 UNEF-2A	.687-28 UN-2A		.656	16.66	.875	22.23
12	1.160	29.46	1.062	26.97	.875-20 UNEF-2A	.750-28 UN-2A	#16 .060/.064 (1.52/1.63)	.719	18.26	.938	23.83
14	1.340	34.04	1.250	31.75	1.062-20 UN-2A	.938-28 UN-2A		.893	22.68	1.125	28.58
15	1.410	35.18	1.312	33.32	1.125-20 UN-2A	1.000-28 UN-2A		.955	24.26	1.188	30.18
21	1.700	43.18	1.562	39.67	1.4375-20 UN-2A	1.312-28 UN-2A	#12 .092/.096 (2.34/2.44)	1.257	31.93	1.500	38.10

RECEPTACLE KEY POSITIONS

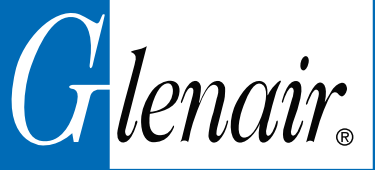
Key Position	Rotation	
	A°	B°
Normal (A)	150°	210°
B	75°	210°
C	95°	230°
D	140°	275°

CUTOUT DIMENSIONS

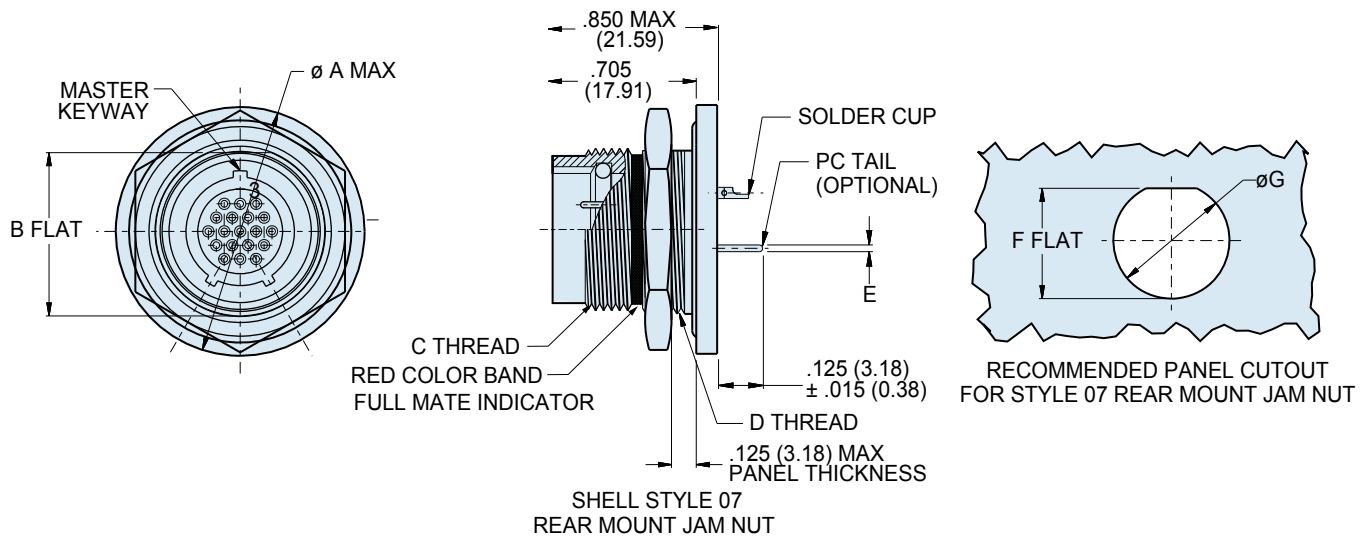
Shell Size	H Flat		Ø J	
	In.	mm.	In.	mm.
5	.291/.286	7.4/7.3	.322	8.2
6	.417/.412	10.6/10.5	.448	11.4
7	.479/.474	12.2/12.0	.510	13.0
8	.541/.536	13.7/13.6	.572	14.5
9	.604/.599	15.3/15.2	.635	16.1
10	.666/.661	16.9/16.8	.697	17.7
12	.729/.724	18.5/18.4	.760	19.3
14	.903/.898	22.9/22.8	.948	24.1
15	.965/.960	24.5/24.4	1.010	25.7
21	1.267/1.263	32.2/32.1	1.322	33.6

RECOMMENDED PANEL CUTOUT
FOR STYLE 00
FRONT MOUNT JAM NUT

Dimensions in inches (millimeters) and are subject to change without notice.



Series 802 Aqua Mouse Submersible Rear Mount Jam Nut Receptacle Connector Dimensions Jam Nut rear Mount Hermetic 802-013-07



DIMENSIONS

Shell Size	A Max.		B Flat		C Mating Threads	D Threads	Ø E Tail Dia.	F Flat		Ø G	
	In.	mm.	In. ± .003	mm. ± 0.08				In. ± .002	mm. ± 0.05	In. ± .005	mm. ± 0.13
5	.885	22.48	.466	11.84	.438-28 UNEF	.500-32 UN-2A	#23 .018/.022 (0.46/0.56)	.473	12.01	.510	12.95
6	1.010	25.65	.591	15.01	.562-20 UN	.625-20 UN-2A		.603	15.32	.635	16.13
7	1.072	27.23	.653	16.59	.625-20 UN	.687-28 UN-2A		.662	16.81	.698	17.73
8	1.135	28.83	.716	18.19	.687-20 UN	.750-28 UN-2A	#20 .024/.028 (0.61/0.71)	.714	18.14	.760	19.30
9	1.195	30.35	.778	19.76	.750-20 UNEF	.812-28 UN-2A		.785	19.94	.822	20.88
10	1.260	32.00	.827	21.01	.812-20 UNEF	.875-28 UN-2A		.835	21.21	.885	22.48
12	1.322	33.58	.890	22.61	.875-20 UNEF	.938-28 UN-2A	#16 .060/.064 (1.52/1.63)	.899	22.83	.948	24.08
14	1.510	38.25	1.077	27.36	1.062-20 UN	1.125-28 UN-2A		1.085	27.56	1.135	28.83
15	1.572	39.93	1.140	28.96	1.125-20 UN	1.188-28 UN-2A		1.155	29.34	1.198	30.43
21	1.940	49.28	1.464	37.19	1.4375-20 UN	1.500-28 UN-2A	#12 .092/.096 (2.34/2.44)	1.473	37.41	1.510	39.12

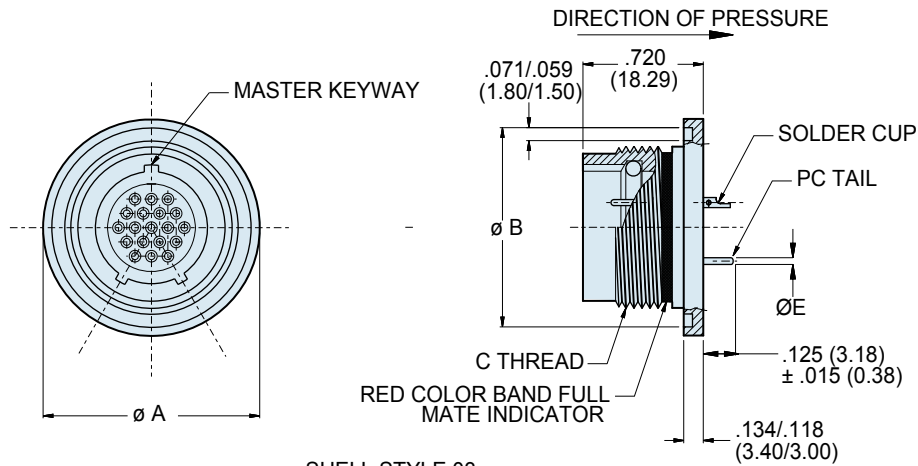
RECEPTACLE KEY POSITIONS

Key Position	Rotation	
	A°	B°
Normal (A)	150°	210°
B	75°	210°
C	95°	230°
D	140°	275°

Dimensions in inches (millimeters) and are subject to change without notice.

Series 802 "Aqua Mouse" Submersible Weld Mount Receptacle Connector Dimensions

Weld Mount Hermetic 802-013-03



SHELL STYLE 03
WELD MOUNT

DIMENSIONS

Shell Size	Ø A		Ø B		C Mating Threads	Ø E Tail Dia.
	In. ± .006	mm. ± 0.15	In. ± .006	mm. ± 0.15		
5	.788	20.02	.745	18.92	.438-28 UNEF	#23 .018/.022 (0.46/0.56)
6	.912	23.16	.869	22.07	.562-20 UN	
7	.975	24.77	.933	23.70	.625-20 UN	
8	1.038	26.37	.995	25.27	.687-20 UN	#20 .024/.028 (0.61/0.71)
9	1.100	27.94	1.057	26.85	.750-20 UNEF	
10	1.162	29.53	1.119	28.42	.812-20 UNEF	#16 .060/.064 (1.52/1.63)
12	1.225	31.12	1.182	30.02	.875-20 UNEF	
14	1.412	35.86	1.369	34.77	1.062-20 UN	#12 .092/.096 (2.34/2.44)
15	1.475	37.47	1.432	36.37	1.125-20 UN	
21	1.795	45.59	1.747	44.38	1.4375-20 UN	

RECEPTACLE KEY POSITIONS

Key Position	Rotation	
	A°	B°
Normal (A)	150°	210°
B	75°	210°
C	95°	230°
D	140°	275°

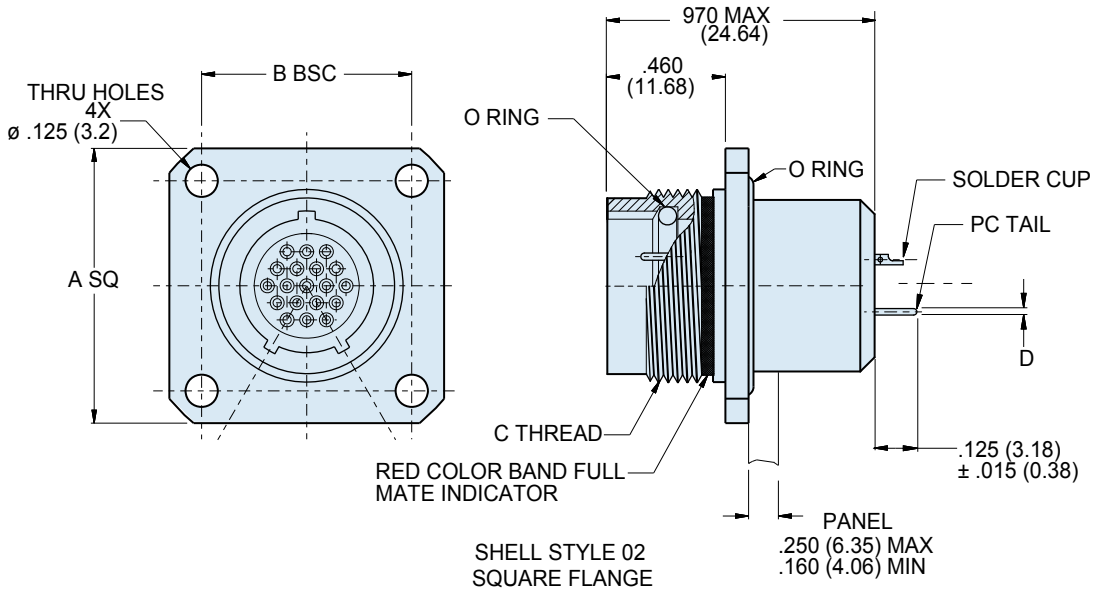
Dimensions in inches (millimeters) and are subject to change without notice.

CAGE Code 06324

Printed in U.S.A.

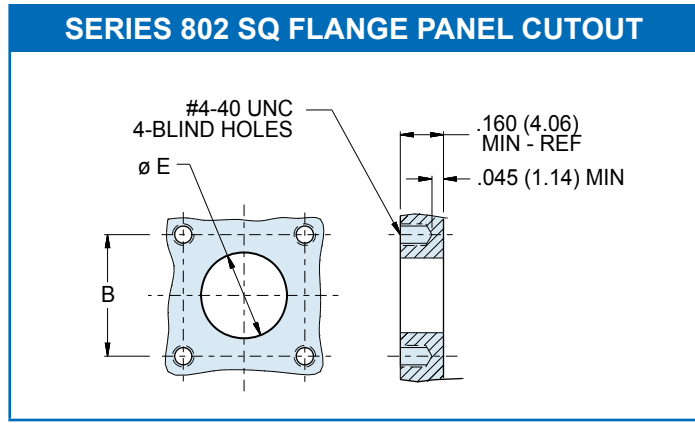


Series 802 Aqua Mouse Submersible Flange Mount Receptacle Connector Dimensions Flange Mount Hermetic 802-013-02



DIMENSIONS								
Shell Size	A Square		B Bsc.		C Mating Threads	\varnothing D Tail Dia.	\varnothing E	
	In.	mm.	In.	mm.			In.	mm.
5	.885	22.48	.500	12.70	.438-28 UNEF	#23 .018/.022 (0.46/0.56)	.327	8.31
6	1.010	25.65	.625	15.88	.562-20 UN		.390	9.91
7	1.072	27.23	.688	17.48	.625-20 UN		.515	13.08
8	1.135	28.83	.750	19.05	.687-20 UN	#20 .024/.028 (0.61/0.71)	.577	14.66
9	1.195	30.35	.812	20.62	.750-20 UNEF		.640	16.26
10	1.260	32.00	.875	22.23	.812-20 UNEF	#16 .060/.064 (1.52/1.63)	.702	17.83
12	1.323	33.60	.938	23.83	.875-20 UNEF		.765	19.43
14	1.510	38.25	1.125	28.58	1.062-20 UN	#12 .092/.096 (2.34/2.44)	.953	24.21
15	1.573	39.95	1.188	30.18	1.125-20 UN		1.015	25.78
21	1.750	44.45	1.375	34.93	1.4375-20 UN		1.312	33.32

RECEPTACLE KEY POSITIONS		
Key Position	Rotation	
	A°	B°
Normal (A)	150°	210°
B	75°	210°
C	95°	230°
D	140°	275°



Dimensions in inches (millimeters) and are subject to change without notice.

Series 802 Aqua Mouse Submersible Overmolded Cordset Ordering Information

802-019, 802-022

Glenair[®]

Series 802



**Series 802 Overmolded
Cordset**

Abrasion-Resistant Polyurethane Jacket provides cold temperature flexibility and high strength. Low smoke/zero halogen material meets requirements for low toxicity.

90% Tinned Copper Braid is terminated directly to connector with stainless steel **BAND-IT**[®] strap.

Two Cable Types – Cordsets with polyamide overmolds offer good chemical resistance and are rated for one meter immersion. For maximum chemical resistance and 2500 PSI rating, choose thermoset polyurethane overmolding.

Series 802 Harsh Environment Shielded Cordsets

These overmolded cordsets withstand abrasion and chemical exposure. Low smoke zero halogen jacket reduces the amount of toxic and corrosive gasses emitted during combustion. Cable construction features silver coated stranded conductors with TFE insulation, tinned copper braid shield and extruded polyurethane jacket. Choose single-ended pigtails or double-ended "back-to-back" versions. Braid shield is attached directly to connector with **BAND-IT**[®] straps. Semi-rigid polyamide overmold provides strain relief and environmental sealing, or choose thermoset polyurethane overmold for superior strength, chemical resistance, and 2500 PSI pressure rating.

Series 802 cordsets are now available with size #20HD, #16 and #12 contacts. Ordering information is found on the following

HARSH ENVIRONMENT CORDSET SPECIFICATIONS

Cable Jacket Material	Thermoplastic Polyurethane, Black, UL 94 V-0 Rated
Cable Shield	Tin-Coated Copper Braid, 90% Minimum Coverage
Conductors	Silver Coated Stranded Wire, TFE Insulated, Per M22759/11
BAND-IT [®] Shield Termination Band	Stainless Steel
Insulation Resistance	200 megohms minimum
Operating Temperature	-30° C. to +105° C.
Immersion, Polyamide Overmold	1 meter water immersion for 1 Hour per MIL-STD-810 Method 512
Solvent Resistance, Polyamide Overmold	Excellent resistance to most solvents, fuels, and oils; poor resistance to Strong acids and bipolar solvents (alcohol)
Immersion, Polyurethane Overmold	2500 psi
Solvent Resistance, Polyurethane Overmold	Excellent
Shielding Effectiveness	50 dB minimum from 100MHz to 1000MHz.
Cable jacket Flammability and Toxicity	Toxicity Index 3.9 per NES 713 Oxygen Index 28% per ASTM D-2863 Smoke Index 24 per NES 711

Dimensions in inches (millimeters) and are subject to change without notice.

© 2010 Glenair, Inc.

CAGE Code 06324

Printed in U.S.A.

GLENAIR, INC. • 1211 AIR WAY • GLENDALE, CA 91201-2497 • 818-247-6000 • FAX 818-500-9912

www.glenair.com

E-19

E-Mail: sales@glenair.com

Rev. 01-JANUARY-2010

E



Series 802 "Aqua Mouse" Submersible Overmolded Cordset Ordering Information

802-019, 802-022, 802-032, 802-033

SERIES 802 CORDSETS WITH SIZE #23 CONTACTS

Sample Part Number								
802-019	-A	N	2	Z1	9-19	N	A	-48
Series	End A Connector	End B Connector	Wire Size	Shell Material / Finish	Insert Arr.	Protective Cover	Shell Key Pos.	Length
802-019 Overmolded Cordset, Size #23 Contacts, Shielded, with Polyamide Overmold , 1 Meter Immersion	-A Plug, with Male Pin Contacts	A Plug, with Male Pin Contacts	2 #22 AWG	Z1 Stainless Steel Shell / Passivated, with marine bronze coupling nut ZM Stainless Steel Shell / Electroless Nickel Plated, with marine bronze coupling nut AB Marine Bronze Shell and Coupling Nut / Unplated	5-3	P Metal Protective Covers Included N No Covers Supplied	A Pos. A (Normal)	Overall Length In Inches 12 Inch Min.
	-B Plug, with Female Socket Contacts	B Plug, with Female Socket Contacts	4 #24 AWG		6-4 6-7 6-6 7-10 8-13 9-19 10-26 12-37 14-55 15-85		B Pos. B	
802-022 Overmolded Cordset, Size #23 Contacts, Shielded, with Thermoset Polyurethane Overmold , 2500 PSI Rated	-C Receptacle, with Male Pin Contacts	C Receptacle, with Male Pin Contacts					C Pos. C	
	-D Receptacle, with Female Socket Contacts	D Receptacle, with Female Socket Contacts					D Pos. D	
		N No Connector (Single-Ended)						

SERIES 802 CORDSETS WITH SIZE #20HDCONTACTS

Sample Part Number								
802-032	-A	N	0	Z1	9-210	N	A	-48
Series	End A Connector	End B Connector	Wire Size	Shell Material / Finish	Insert Arr.	Protective Cover	Shell Key Pos.	Length
802-032 Overmolded Cordset, Size #23 Contacts, Shielded, with Polyamide Overmold , 1 Meter Immersion	-A Plug, with Male Pin Contacts	A Plug, with Male Pin Contacts	0 #20 AWG	Z1 Stainless Steel Shell / Passivated, with marine bronze coupling nut ZM Stainless Steel Shell / Electroless Nickel Plated, with marine bronze coupling nut AB Marine Bronze Shell and Coupling Nut / Unplated	6-23	P Metal Protective Covers Included N No Covers Supplied	A Pos. A (Normal)	Overall Length In Inches 12 Inch Min.
	-B Plug, with Female Socket Contacts	B Plug, with Female Socket Contacts	2 #22 AWG		7-25 8-28 9-210 12-220 14-235 15-241		B Pos. B	
802-033 Overmolded Cordset, Size #23 Contacts, Shielded, with Thermoset Polyurethane Overmold , 2500 PSI Rated	-C Receptacle, with Male Pin Contacts	C Receptacle, with Male Pin Contacts					C Pos. C	
	-D Receptacle, with Female Socket Contacts	D Receptacle, with Female Socket Contacts					D Pos. D	
		N No Connector (Single-Ended)						

Dimensions in inches (millimeters) and are subject to change without notice.

Series 802 Aqua Mouse Submersible Overmolded Cordset Ordering Information

802-026, 802-027, 802-028, 802-029



SERIES 802 CORDSETS WITH SIZE #16 CONTACTS

Sample Part Number

802-028	-A	N	6	Z1	9-4	N	A	-48
Series	End A Connector	End B Connector	Wire Size	Shell Material / Finish	Insert Arr.	Protective Cover	Shell Key Pos.	Length
802-026 Overmolded Cordset, Size #16 Contacts, Shielded, with Polyamide Overmold , 1 Meter Immersion	-A Plug, with Male Pin Contacts	A Plug, with Male Pin Contacts	6 #16 AWG	Z1 Stainless Steel Shell / Passivated, with marine bronze coupling nut	6-1 8-2 9-4 10-5 12-7 14-12 15-14	P Metal Protective Covers Included	A Pos. A (Normal)	Overall Length In Inches 12 Inch Min.
	-B Plug, with Female Socket Contacts	B Plug, with Female Socket Contacts	8 #18 AWG	ZM Stainless Steel Shell / Electroless Nickel Plated, with marine bronze coupling nut	N No Covers Supplied	B Pos. B		
802-028 Overmolded Cordset, Size #16 Contacts, Shielded, with Thermoset Polyurethane Overmold , 2500 PSI Rated	-C Receptacle, with Male Pin Contacts	C Receptacle, with Male Pin Contacts		AB Marine Bronze Shell and Coupling Nut / Unplated			C Pos. C	
	-D Receptacle, with Female Socket Contacts	D Receptacle, with Female Socket Contacts	N No Connector (Single-Ended)				D Pos. D	

SERIES 802 CORDSETS WITH SIZE #12 CONTACTS

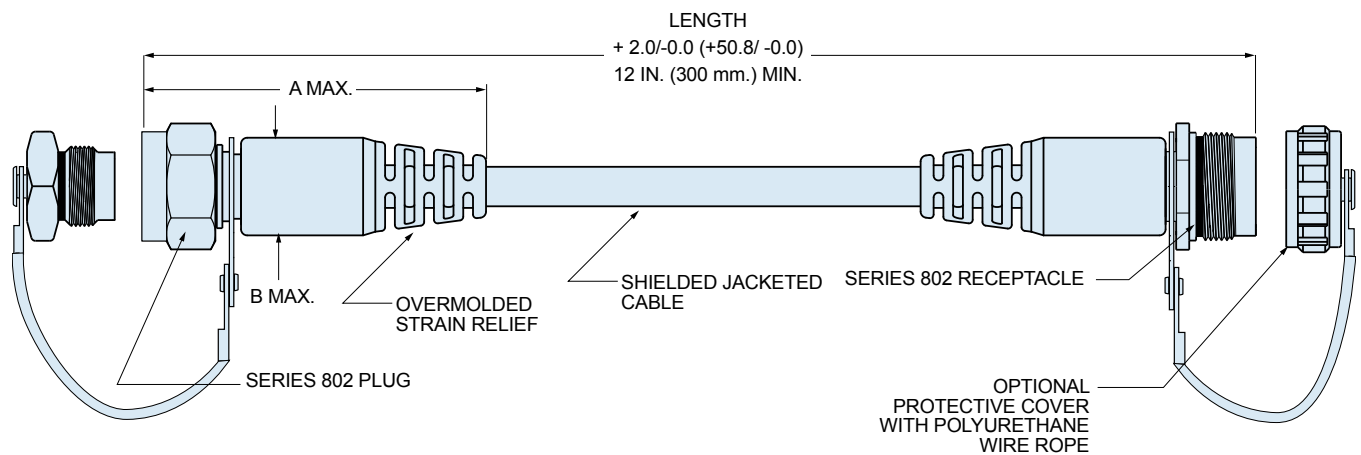
Sample Part Number

802-027	-A	C	2	Z1	10-2	N	A	-48
Series	End A Connector	End B Connector	Wire Size	Shell Material / Finish	Insert Arr.	Protective Cover	Shell Key Pos.	Length
802-027 Overmolded Cordset, Size #12 Contacts, Shielded, with Polyamide Overmold , 1 Meter Immersion	-A Plug, with Male Pin Contacts	A Plug, with Male Pin Contacts	2 #12 AWG	Z1 Stainless Steel Shell / Passivated, with marine bronze coupling nut	7-1 10-2 12-2 12-3 14-5 15-7	P Metal Protective Covers Included	A Pos. A (Normal)	Overall Length In Inches 12 Inch Min.
	-B Plug, with Female Socket Contacts	B Plug, with Female Socket Contacts	4 #14 AWG	ZM Stainless Steel Shell / Electroless Nickel Plated, with marine bronze coupling nut	N No Covers Supplied	B Pos. B		
802-029 Overmolded Cordset, Size #12 Contacts, Shielded, with Thermoset Polyurethane Overmold , 2500 PSI Rated	-C Receptacle, with Male Pin Contacts	C Receptacle, with Male Pin Contacts		AB Marine Bronze Shell and Coupling Nut / Unplated			C Pos. C	
	-D Receptacle, with Female Socket Contacts	D Receptacle, with Female Socket Contacts	N No Connector (Single-Ended)				D Pos. D	

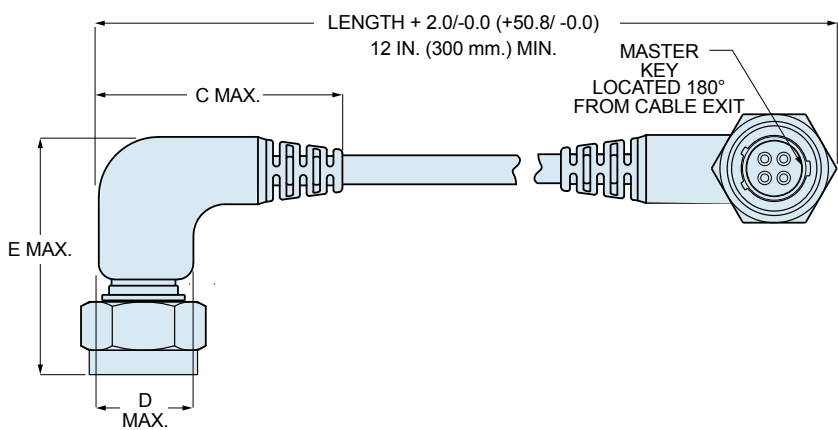
Dimensions in inches (millimeters) and are subject to change without notice.



Series 802 Aqua Mouse Submersible Overmolded Cordset Dimensions



RIGHT ANGLE CORDSETS



How To Order Right Angle Cordsets
 Insert the letter "R" after the End A or End B Connector letter designator.
Example
 Straight cable 802-019-AC4Z16-4PA-72
 Right Angle 802-019-ARCR4Z16-4PA-72

DIMENSIONS										
Shell Size	A Max.		B Max.		C Max.		D Max.		E Max.	
	In.	mm.	In.	mm.	In.	mm.	In.	mm.	In.	mm.
5	2.38	60.33	0.6	15.24	1.5	38.1	0.6	15.24	2.1	52.71
6	2.38	60.33	0.6	15.24	1.5	38.1	0.6	15.24	2.1	52.71
7	2.38	60.33	0.7	17.78	1.5	38.1	0.7	17.78	2.28	57.79
8	2.48	62.87	0.75	19.05	1.6	40.64	0.75	19.05	2.38	60.33
9	2.78	70.49	0.85	21.59	1.9	48.26	0.85	21.59	2.58	65.41
10	2.78	70.49	0.85	21.59	1.9	48.26	0.85	21.59	2.58	65.41
12	3.1	78.11	1.1	27.94	2.2	55.88	1.1	27.94	3.1	78.11
14	3.4	85.73	1.3	33.02	2.5	63.5	1.3	33.02	3.48	88.27
15	3.9	98.43	1.4	35.56	3	76.2	1.4	35.56	3.7	93.35

Dimensions in inches (millimeters) and are subject to change without notice.

Series 802 Aqua Mouse Submersible Protective Cover Ordering Information

660-087 and 660-088



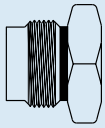
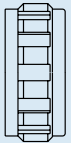

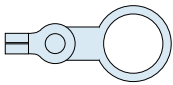
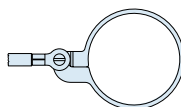
Receptacle Cover

Protect Connectors From Damage – These covers prevent ingress of water and contamination. Stainless steel plug covers feature Viton® O-rings for 3500 PSI sealing. Receptacle covers have a Viton® gasket and are made from marine bronze to minimize galling.

Three Types of Attachment Rings – Choose small diameter eye fittings for panel attachment. Larger rings fit under the jam nut or over cable jackets. Split rings can be installed on fully assembled cables.

Polyurethane-Coated SST Wire Rope offers high strength, excellent abrasion resistance and good flexibility. Or, choose Teflon® jacket for high temperature exposure.

Braided Nylon Rope provides excellent flexibility and good abrasion resistance, and can be ordered with slip knot fittings for easy installation on any size cable.

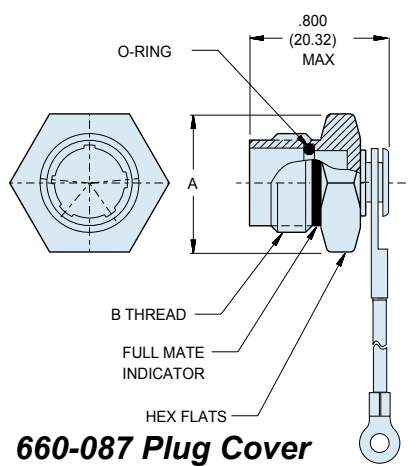
HOW TO ORDER SERIES 802 PROTECTIVE COVERS					
Sample Part Number					
660-087	- 9	U	04	- 6	
Series	Shell Size	Attachment Type	Attachment Code	Attachment Length in Inches	Alternate Key Position
 <p>660-087 Protective Cover for use with Series 802 Plugs</p>  <p>660-088 Protective Cover for use with Series 802 Receptacles</p>	-5	G Nylon Rope	Omit for attachment Types N (No Attachment) and SK (Slip Knot)	Omit for attachment Type N (No Attachment) Example "-6" equals six inch length	Omit for 660-088 receptacle covers Omit for plug connectors with standard "A" key position B C D
	-6	H			
	-7	SST Wire Rope, Teflon® Jacket	 <p>Small Ring</p>	01 – .126 (3.20) I.D.	
	-8			02 – .145 (3.68) I.D.	
	-9	N No Attachment	 <p>Large Ring</p>	04 – .188 (4.78) I.D.	
	-10	S		06 – .197 (5.00) I.D.	
	-12	SST Sash Chain		14 – .385 (9.78) I.D.	
	-14	SK Nylon Rope With Slip Knot		15 – .445 (11.30) I.D.	
	-15	T SST Wire Rope, No Jacket		16 – .570 (14.48) I.D.	
	-21	U SST Wire Rope, Polyurethane Jacket		17 – .635 (16.13) I.D.	
	"SST" = Stainless Steel	18 – .695 (17.65) I.D.			
		19 – .885 (22.48) I.D.			
		20 – 1.070 (27.17) I.D.			
		21 – 1.135 (28.83) I.D.			
		22 – 1.210 (30.73) I.D.			
		23 – 1.275 (32.39) I.D.			
		24 – 1.520 (38.61) I.D.			
		 <p>Split Ring</p>	50 – .420 (10.67) I.D.		
			52 – .480 (12.19) I.D.		
			54 – .635 (16.13) I.D.		
			56 – .745 (18.92) I.D.		
			58 – .885 (22.48) I.D.		
			60 – 1.010 (25.65) I.D.		
			64 – 1.125 (28.58) I.D.		
			68 – 1.345 (34.16) I.D.		
		72 – 1.438 (36.53) I.D.			

Dimensions in inches (millimeters) and are subject to change without notice.

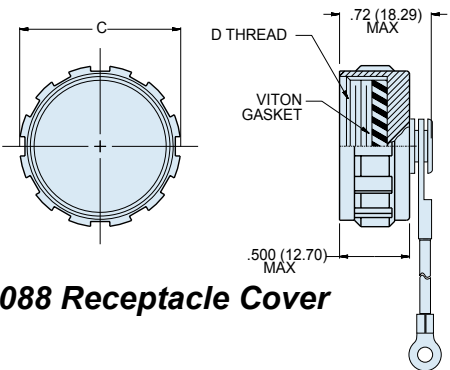


Series 802 Aqua Mouse Submersible Protective Cover Dimensions

660-087 and 660-088



660-087 Plug Cover



660-088 Receptacle Cover

660-087 & -088 DIMENSIONS

Shell Size	A Hex		B	C Max.		D
	In.	mm.		In.	mm.	
5	.500	12.70	.438-28 UNEF-2A	.590	14.99	.438-28 UNEF-2B
6	.625	15.88	.562-20 UN-2A	.720	18.29	.562-20 UN-2B
7	.688	17.48	.625-20 UN-2A	.780	19.81	.625-20 UN-2B
8	.750	19.05	.687-20 UN-2A	.840	21.34	.687-20 UN-2B
9	.812	20.62	.750-20 UNEF-2A	.900	22.86	.750-20 UNEF-2B
10	.875	22.23	.812-20 UNEF-2A	.970	24.89	.812-20 UNEF-2B
12	.938	23.83	.875-20 UNEF-2A	1.030	26.16	.875-20 UNEF-2B
14	1.125	28.58	1.062-20 UN-2A	1.220	30.99	1.062-20 UN-2B
15	1.188	30.18	1.125-20 UN-2A	1.280	32.51	1.125-20 UN-2B
21	1.562	39.67	1.438-20 UN-2A	1.610	40.89	1.438-20 UN-2B

MATERIALS AND FINISHES

Plug Cover	316 stainless steel, passivated
Receptacle Cover	marine bronze, unplated
O-Ring	Viton rubber
Gasket	Viton rubber
Wire, Hardware	Stainless steel, passivated

ATTACHMENT OPTIONS

Small Ring for Attaching Receptacle Covers to a Panel with a Screw	Dia. Code	Screw Size	Ring I.D.		Ring O.D.	
			In.	mm.	In.	mm.
			±.005	±0.13	Max.	Max.
01	#4, M3	.126	3.20	.31	7.9	
02	#6	.145	3.68	.31	7.9	
04	#8, M4	.188	4.78	.31	7.9	
06	#10	.197	5.00	.31	7.9	

Large Solid Ring for Attaching Receptacle Covers to a Jam Nut Receptacle	Dia. Code	Style 07 Jam Nut Shell Size	Style 00 Jam Nut Shell Size	Ring I.D.		Ring O.D.	
				In.	mm.	In.	mm.
				±.005	±0.13	Max.	Max.
14		5,6	.385	9.78	.510	12.95	
16	5	7,8	.570	14.48	.685	17.40	
17	6	9	.635	16.13	.760	19.30	
18	7	10	.695	17.65	.820	20.82	
19	8,9,10	12	.885	22.48	1.010	25.65	
20	12	14,15	1.070	27.17	1.195	30.35	
21	14		1.135	28.83	1.270	32.26	
22	15		1.210	30.73	1.312	33.32	
24	21	21	1.520	38.61	1.522	41.20	

Large Split Ring for Attaching Covers to Cables	Dia. Code	Max. Cable Dia.	Min. ID		Max. OD	
			In.	mm.	In.	mm.
50		.410	.420	10.67	.510	12.95
52		.470	.480	12.19	.570	14.48
54		.625	.635	16.13	.726	18.44
56		.735	.745	18.92	.835	21.21
58		.875	.885	22.48	.976	24.79
60		1.000	1.010	25.65	1.101	27.97
64		1.115	1.125	28.58	1.215	30.86
68		1.335	1.345	34.16	1.435	36.45
72		1.416	1.426	36.22	1.526	38.76

Slip Knot (SK) for Attaching Covers to Cable

-55° to +100°C., black, very flexible, very good abrasion resistance, good resistance to fuels, .120" (3mm) diameter. Length includes .5" (13mm) diameter loop.

LANYARD OPTIONS

	Nylon Rope	-55° to +100°C., black, very flexible, very good abrasion resistance, good resistance to fuels, .120" (3mm) diameter
	Polyurethane Coated Wire Rope	Black polyurethane over stainless steel rope, -55° to +125°C., very flexible, excellent abrasion resistance, excellent resistance to fuels, .080" (2mm) diameter
	Teflon Jacketed Wire Rope	Translucent FEP jacket over stainless steel rope, -55° to +200°C., fair flexibility, good abrasion resistance, .100" diameter
	Sash Chain	Stainless steel, #8 chain, .240" (6mm)

Dimensions in inches (millimeters) and are subject to change without notice.

Series 803 Mighty Mouse
¼ Turn Bayonet Coupling Connectors
Product Selection Guide



SERIES 803 BAYONET PRODUCT SELECTION GUIDE

Plugs

Page F-4

803-001, 803-002



Series 803 Bayonet Plugs

Available in aluminum or stainless steel. The integral shield termination platform accepts heat-shrink boots, or select accessory threads for use with a variety of strain relief and backshell accessory options.

Crimp Receptacles

Page F-6

803-003, 803-004



Series 803 Receptacles for Insulated Wire

Jam nut, square flange and in-line versions make it easy to find a style for every application. The integral shield termination platform accepts heat-shrink boots (ordered separately), or select accessory threads for use with a variety of strain relief and backshell accessory options. Contacts are crimp-type and are packaged with the connector.

Solder Cup/PCB Receptacles

Page F-11

803-005, 803-015



Series 803 Receptacles With Solder Cup or PCB Termination

These panel mount connectors feature gold plated, factory-installed non-removeable contacts. Choose printed circuit terminals, or choose solder cup contacts. Connectors are potted with epoxy for general purpose applications, or choose silicone-sealed, leak-tested versions for 1 meter water immersion in unmated condition.

Hermetic Receptacles

Page F-13

803-006



Series 803 Hermetic Receptacles

Need a miniaturized hermetic for a sealed box or instrument? These stainless steel, glass-sealed connectors are available with solder cup or PC tail contacts. Choose jam nut or flange mount versions. Contacts are gold plated iron alloy. 100% tested to meet 1×10^{-6} cc/sec helium leakage. Open face pressure rating 1000 PSI.

Cordsets

Page F-15

803-009, 803-013,
803-014, 803-016



Series 803 Shielded Overmolded Cordsets

Overmolded cordsets offer optimum convenience and performance. Low-smoke, zero halogen polyurethane jackets withstand abrasion and harsh environments.

Protective Covers

Page F-19

800-034, 800-041,
800-038, 800-039



Series 803 Protective Covers

Available in aluminum or stainless steel, these covers prevent damage to exposed connectors. Rubber gasket keeps out dust and moisture. Wide selection of lanyard types and attachment rings.

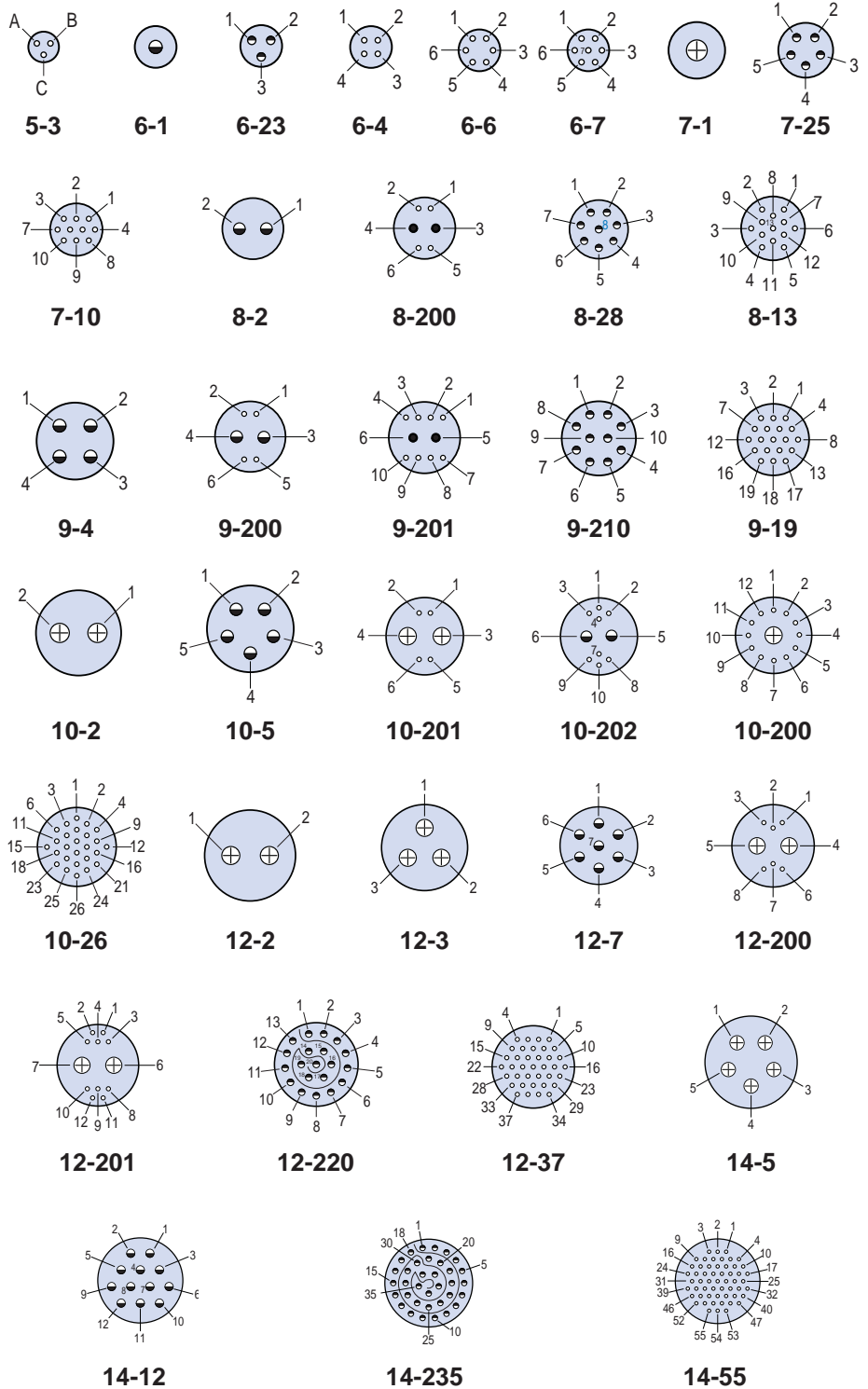
Dimensions in inches (millimeters) and are subject to change without notice.



Series 803 Mighty Mouse 1/4 Turn Bayonet Coupling Connectors Contact Arrangements

Mating Face View of Pin Connector
(socket connector numbers are reversed)

CONTACT ARRANGEMENTS					
Contact Arr.	No. of Contacts				
	#23	#20	#20HD	#16	#12
5-3	3				
6-1				1	
6-23			3		
6-4	4				
6-6	6				
6-7	7				
7-1					1
7-25			5		
7-10	10				
8-2				2	
8-28			8		
8-13	13				
8-200	4	2			
9-4				4	
9-210			10		
9-19	19				
9-200	4			2	
9-201	8	2			
10-2					2
10-5				5	
10-26	26				
10-200	12				1
10-201	4				2
10-202	8			2	
12-2					2
12-3					3
12-7				7	
12-220			20		
12-37	37				
12-200	6				2
12-201	10				2
14-5					5
14-12				12	
14-235			35		
14-55	55				



Contact Legend
#23 ◦ #20HD ◦ #20 ● #16 ◐ #12 ⊕

Dimensions in inches (millimeters) and are subject to change without notice.

CAGE Code 06324

Printed in U.S.A.

GLENAIR, INC. • 1211 AIR WAY • GLENDALE, CA 91201-2497 • 818-247-6000 • FAX 818-500-9912

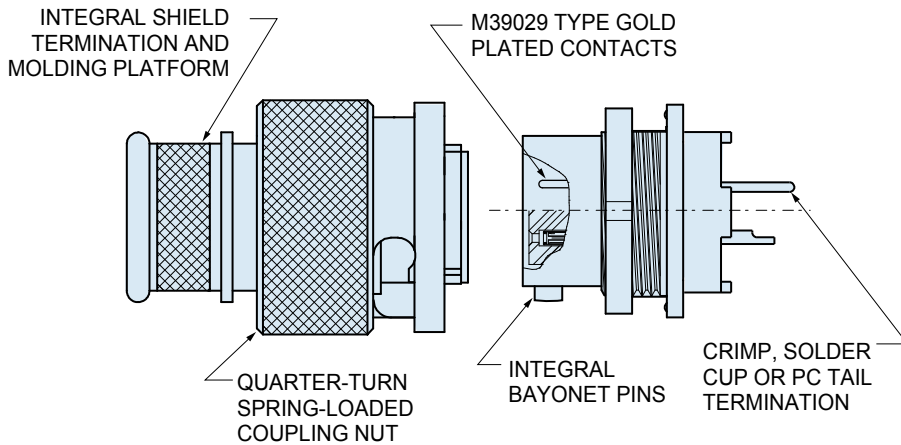
www.glenair.com

F-2

E-Mail: sales@glenair.com

01-JANUARY-2010

Series 803 Mighty Mouse ¼ Turn Bayonet Coupling Connectors General Information



Bayonet Coupling Mechanism

Push-To-Mate, ¼ turn for locking.

1 through 55 contacts

available in crimp, solder cup or printed circuit board versions. Aluminum or stainless steel shell.

Now with Power Contacts.

Choose any one of 35 contact arrangements with size #23, size #20HD, size #16 or size #12 contacts.

Glenair's Bayonet Mighty Mouse Offers ¼ Turn Locking, Rugged Design and Ultraminiature Size

Ideal for tactical handheld radios, sensors, test equipment and autosport equipment, the Series 803 connector adds quick bayonet coupling to the Glenair Series 80 product line. Key features are small size, light weight, environmental protection, and crimp-and-poke contacts. These features make the Series 803 Bayonet connector suitable for a wide range of quick-disconnect applications. Fluorosilicone seals resist most chemicals and provide splash protection. **Not rated for water immersion.**



SPECIFICATIONS	
Current Rating	#23 5 AMPS, #20 7.5 A., #16 13 A., #12 23 A.
Dielectric Withstanding Voltage	#23 500 VAC RMS, #20HD 750 VAC RMS, #12 and #16 1800 VAC RMS
Insulation Resistance	5000 megohms minimum
Operating Temperature	-65° C. to +150° C.
Shock	300 g.
Vibration	37 g.
Shielding Effectiveness	40 dB minimum from 100MHz to 1000MHz.
Durability	250 mating cycles (aluminum), 2000 mating cycles (stainless steel)
See Series 80 General Information for complete performance specs.	
MATERIALS AND FINISHES	
Shells, Jam Nuts	Aluminum alloy or stainless steel
Contacts	Copper alloy, 50 µinch gold plated
Insulators	Liquid crystal polymer (LCP)
Contact Retention Clip	Beryllium copper alloy
Interfacial Seal, O-rings, Wire Sealing Grommet	Fluorosilicone rubber
See Series 80 General Information for complete material and finish specs.	

Dimensions in inches (millimeters) and are subject to change without notice.

Series 803 Mighty Mouse ¼ Turn Bayonet Coupling Connectors Weights

SERIES 803 MAXIMUM CONNECTOR WEIGHT IN GRAMS

Contact Arr.	Cable Plug	J/N Recep Crimp	J/N Recep PCB	Flange Recep Crimp	Flange Recep PCB
5-3P	3.6	3.6	3.9	2.9	3.3
5-3S	3.7	3.7	4.0	3.1	3.4
6-1P	4.4	4.4	4.6	3.1	3.5
6-1S	4.5	4.5	4.7	3.2	3.6
6-4P	4.7	3.7	4.1	3.1	3.6
6-4S	4.7	4.0	4.2	3.2	3.7
6-7P	5.1	4.8	5.3	3.3	4.4
6-7S	5.1	5.1	5.5	3.6	4.4
7-1P	5.7	5.9	5.8	4.4	4.7
7-1S	5.9	6.2	5.9	4.7	5.1
7-10P	6.9	7.4	8.1	5.0	6.5
7-10S	7.4	7.8	8.4	5.4	6.6
8-2P	8.6	8.9	9.9	6.6	8.6
8-2S	9.4	9.7	10.7	7.4	9.4
8-13P	7.9	8.3	9.2	5.9	7.9
8-13S	8.7	8.9	9.7	6.6	8.1
8-200P	8.9	9.2	10.2	6.9	8.9
8-200S	9.6	9.9	10.9	6.9	9.6
9-4P	9.2	9.6	10.6	6.6	9.2
9-4S	9.6	9.9	10.9	6.9	9.6
9-19P	9.2	9.1	10.6	7.0	9.9
9-19S	10.2	10.1	11.2	8.1	10.2
9-200P	9.1	9.5	10.5	7.2	9.1
9-200S	10.2	10.6	11.6	8.3	10.2
9-201P	9.2	9.6	10.6	7.3	10.3
9-201S	9.8	10.1	11.7	8.4	10.3
10-5P	13.4	14.1	15.0	10.6	13.9
10-5S	14.9	15.5	17.5	12.0	15.3
10-26P	11.7	12.3	14.3	8.8	12.8
10-26S	13.4	13.6	15.1	10.1	13.1
10-200	12.5	13.2	15.2	9.7	13.0
10-200	14.0	14.6	16.6	11.1	14.4
10-201P	12.9	13.5	15.5	10.0	13.3
10-201S	14.4	15.1	17.1	11.6	14.9
10-202P	12.4	13.1	15.1	9.6	11.8
10-202S	14.0	14.6	16.6	11.1	14.4
12-2P	15.5	16.4	19.1	11.4	16.9
12-2S	17.2	18.0	20.8	13.1	18.6
12-3P	16.5	17.4	20.1	12.4	17.9
12-3S	18.3	19.1	21.9	14.2	19.7
12-7P	16.7	17.6	20.4	12.7	18.2
12-7S	19.4	20.2	23.0	15.3	20.8
12-37P	15.0	15.8	18.6	10.9	16.4
12-37S	16.6	17.5	19.6	12.4	16.7
12-200P	15.6	16.5	19.3	11.6	17.1
12-200S	17.9	18.8	21.6	13.9	19.4
12-201P	15.7	16.6	19.4	11.7	17.2
12-201S	18.2	19.0	21.8	14.1	19.6
14-5P	22.2	23.5	27.7	17.3	25.5
14-5S	24.8	26.1	29.3	19.8	25.1
14-55P	19.6	20.9	25.1	14.6	22.9
14-55S	22.6	23.9	27.1	17.6	23.9

Dimensions in inches (millimeters) and are subject to change without notice.

Series 803 Mighty Mouse ¼ Turn Bayonet Coupling Plug Connector Ordering Information

803-001 and 803-002



Series 803 Plugs

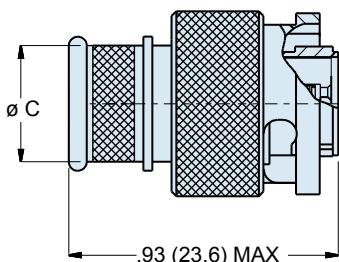
Series 803 connectors have compact size and rugged design and are suitable for light-to-medium duty applications where water immersion is not a consideration. Splashproof design withstands exposure to rain and condensation. Bayonet coupling mechanism uses a rotating coupling nut on the plug and three integral bayonet pins on the receptacle. Push to mate, then rotate the coupling nut 90° to lock. Connector shells are machined aluminum or stainless steel. Supplied with crimp contacts, packaged separately. Terminate contacts with standard M22520 tools. Metal clips inside the connector body lock contact into place. Contacts are removable. Fluorosilicone seals and rear grommet protect connector from water ingress. Terminate cable shield directly to connector body with BAND-IT® strap, or choose rear accessory thread to attach optional cable clamp or backshell. Available in shell sizes 5 through 14 in 35 contact arrangements.

HOW TO ORDER					
Sample Part Number					
803-001	-06	NF	9-19	P	N
Series	Shell Style	Shell Material / Finish	Shell Size- Insert Arrangement	Contact Type	Shell Key Position
<p>803-001 Crimp Contact, Banding Platform for Direct Attachment of Cable Shield and Overmold</p>	-06 Plug	<p>C Aluminum / Black Anodize (Non-Conductive) RoHS Compliant</p>	SEE CONTACT ARRANGEMENTS PAGE F-2	<p>Connector supplied with contacts</p>	<p>N Normal</p> <p>Alternate Key Positions:</p> <p>X Y Z</p>
		<p>M Aluminum / Electroless Nickel RoHS Compliant</p>		<p>P Pin</p>	
<p>803-002 Crimp Contact, Rear Accessory Thread</p>		<p>NF Aluminum / Cadmium with Olive Drab Chromate</p>		<p>S Socket</p>	
		<p>ZN Aluminum / Zinc-Nickel with Olive Drab Chromate</p>		<p>Connector supplied without contacts</p>	
		<p>ZNU Aluminum / Zinc-Nickel with Black Chromate</p>		<p>A Pin Connector, less contacts</p>	
		<p>MT Aluminum / Nickel-PTFE RoHS Compliant</p>		<p>B Socket Connector, less contacts</p>	
		<p>Z1 Stainless Steel / Passivated RoHS Compliant</p>		<p>Connectors with contacts are supplied with signal and/or power crimp contacts. These contacts are not installed.</p> <p>Coaxial contacts and non-standard signal contacts are ordered separately.</p>	

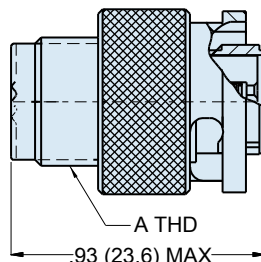
Dimensions in inches (millimeters) and are subject to change without notice.

Series 803 Mighty Mouse ¼ Turn Bayonet Coupling Plug Connector Dimensions

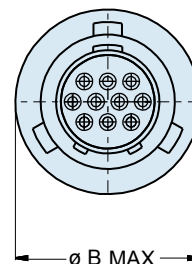
803-001-06 and 803-002-06



Intergral Band Platform
803-001



Accessory Thread
803-002



DIMENSIONS					
Shell Size	A Thread UNEF-2A	Ø B Max		Ø C	
		In.	mm.	In.	mm.
5	.2500-32	.500	12.70	.245	6.22
6	.3125-32	.565	14.35	.290	7.37
7	.4375-28	.650	16.51	.390	9.91
8	.5000-28	.750	19.05	.440	11.18
9	.5625-24	.790	20.07	.500	12.70
10	.6250-24	.875	22.23	.562	14.27
12	.6875-24	.944	23.98	.650	16.51
14	.9375-20	1.095	27.81	.805	20.45

SERIES 803 PLUG KEY POSITIONS			
Pos.	A°	B°	
N	150°	210°	
X	75°	210°	
Y	95°	230°	
Z	140°	275°	

Dimensions in inches (millimeters) and are subject to change without notice.

Series 803 Mighty Mouse ¼ Turn Bayonet Coupling Connector Ordering Information

803-003 and 803-004 Crimp Receptacles



In-Line



Jam Nut



Flange Mount

Push-To-Mate, ¼ Turn to Lock.

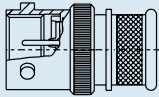
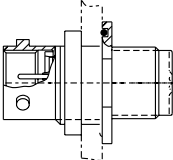
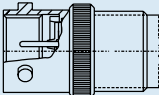

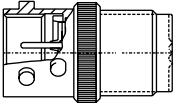
These quick-mating connectors feature bayonet pins on the receptacle. Simply push the connectors together, then rotate the plug coupling nut 90° to lock the connectors together.

Three Shell Mounting Options:

Jam nut with O-ring for rear panel mounting, elliptical flange for front or rear panel mounting, or in-line receptacles for free-hanging cables.

Two Shell Styles:

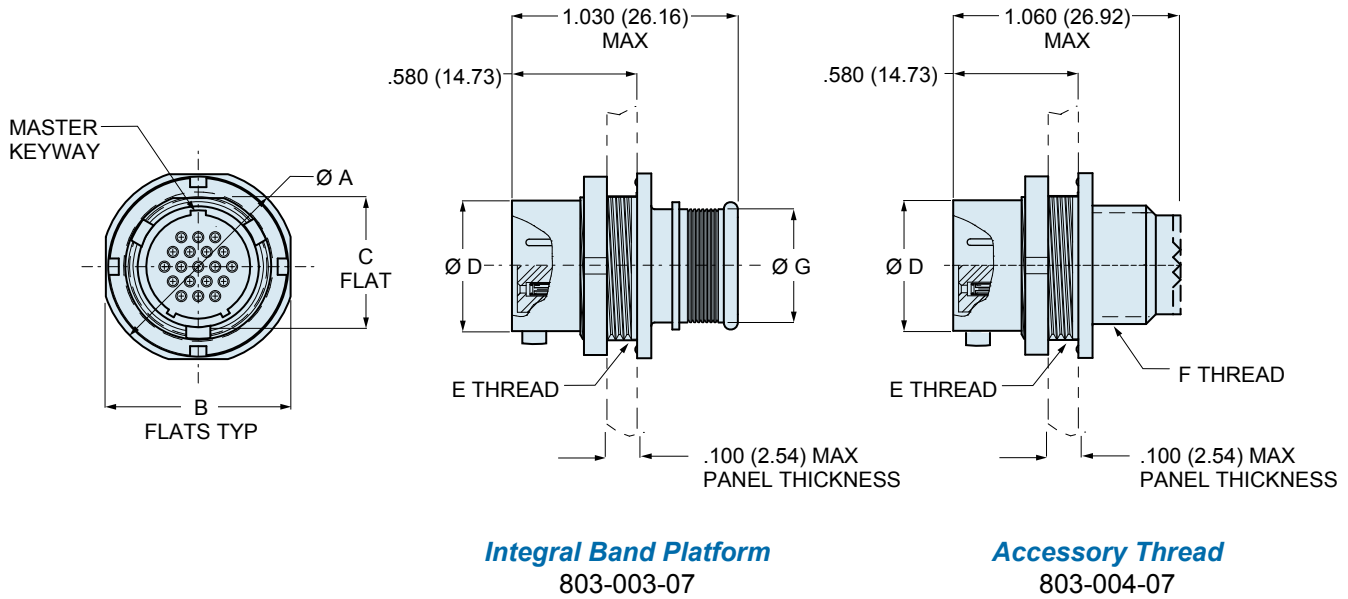
Choose the integral band platform for direct attachment of a cable shield. Install a heat-shrink boot, or overmold directly onto the band platform. An accessory thread is available for attaching strain reliefs and backshells.

HOW TO ORDER					
Sample Part Number					
803-003	-07	NF	6-7	S	N
Series	Shell Style	Shell Material / Finish	Shell Size- Insert Arrangement	Contact Type	Shell Key Position
 <p>803-003 Receptacle with Banding Platform for Direct Attachment of Cable Shield and Overmold</p>	 <p>-07 Jam Nut</p>	<p>C Aluminum / Black Anodize (Non-Conductive) RoHS Compliant</p>	<p>SEE CONTACT ARRANGEMENTS PAGE F-2</p>	<p>Connector supplied with contacts</p>	<p>N Normal</p> <p>Alternate Key Positions:</p> <p>X Y Z</p>
		<p>M Aluminum / Electroless Nickel RoHS Compliant</p>		<p>P Pin</p>	
		<p>NF Aluminum / Cadmium with Olive Drab Chromate</p>		<p>S Socket</p>	
 <p>803-004 Receptacle with Rear Accessory Thread</p>	 <p>-02 Flange Mount</p>	<p>ZN Aluminum / Zinc-Nickel with Olive Drab Chromate</p>	<p>Connector supplied without contacts</p>	<p>A Pin Connector, less contacts</p>	
		<p>ZNU Aluminum / Zinc-Nickel with Black Chromate</p>		<p>B Socket Connector, less contacts</p>	
		<p>MT Aluminum / Nickel-PTFE RoHS Compliant</p>		<p>Connectors with contacts are supplied with signal and/or power crimp contacts. These contacts are not installed.</p>	
 <p>-01 In-Line</p>		<p>Z1 Stainless Steel / Passivated RoHS Compliant</p>	<p>Coaxial contacts and non-standard signal contacts are ordered separately.</p>		

Dimensions in inches (millimeters) and are subject to change without notice.

Series 803 Mighty Mouse ¼ Turn Bayonet Coupling Jam Nut Receptacle Dimensions

803-004-07 and 803-003-07



DIMENSIONS

Shell Size	Ø A		B Flats		C Flat		Ø D		E Thread	F Thread	Ø G	
	In.	mm.	In.	mm.	In.	mm.	In.	mm.			In.	mm.
5	.575	14.61	.545	13.84	.350	8.89	.300	7.62	.3750-32 UNEF-2A	.2500-32 UNEF-2A	.230	5.84
6	.635	16.13	.595	15.11	.410	10.41	.362	9.19	.4375-28 UNEF-2A	.3125-32 UNEF-2A	.286	7.26
7	.755	19.18	.723	18.36	.536	13.61	.436	11.07	.5625-32 UN-2A	.4375-28 UNEF-2A	.390	9.91
8	.755	19.18	.790	20.11	.593	15.10	.508	12.91	.6250-28 UN-2A	.5000-28 UNEF-2A	.440	11.18
9	.830	21.08	.790	20.07	.596	15.14	.561	14.25	.6250-28 UN-2A	.5625-24 UNEF-2A	.500	12.70
10	.890	22.61	.925	23.51	.721	18.31	.635	16.13	.7500-28 UN-2A	.6250-24 UNEF-2A	.562	14.27
12	1.078	27.38	1.044	26.52	.845	21.46	.714	18.14	.8750-28 UN-2A	.6875-24 UNEF-2A	.650	16.51
14	1.264	32.11	1.230	31.24	1.022	25.96	.865	21.97	1.0625-20 UN-2A	.9375-20 UNEF-2A	.805	20.45

ALTERNATE KEY POSITIONS

Pos.	A°	B°
N	150°	210°
X	75°	210°
Y	95°	230°
Z	140°	275°

JAM NUT PANEL CUTOUT

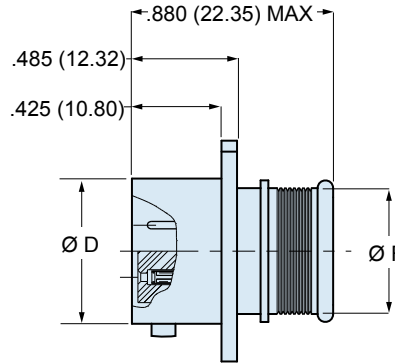
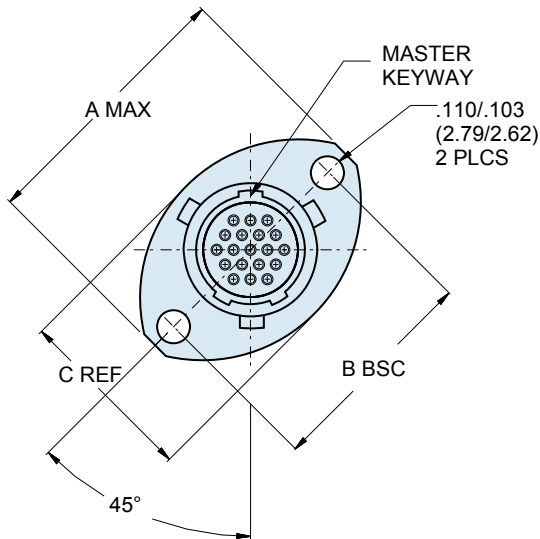
Shell Size	A Flat		Ø B	
	In. ± .002	mm. ± 0.05	In.	mm.
5	.355	9.02	.382	9.70
6	.415	10.54	.445	11.30
7	.541	13.74	.572	14.53
8	.603 .599	15.32 15.21	.635	16.13
9	.601	15.27	.643	16.33
10	.731 .727	18.57 18.47	.760	18.29
12	.850	21.59	.885	22.48
14	1.031	26.19	1.072	27.23

Dimensions in inches (millimeters) and are subject to change without notice.

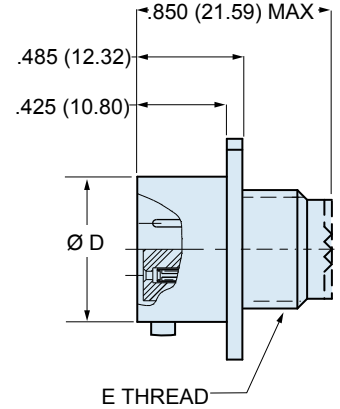
Series 803 Mighty Mouse ¼ Turn Bayonet Coupling Flange Mount Receptacle Dimensions 803-004-02 and 803-003-02 Crimp Receptacles



Series 803



Integral Band Platform
803-003-02



Accessory Thread
803-004-02

DIMENSIONS

Shell Size	A Max.		B Bsc.		C Ref.		Ø D		E Thread	Ø F	
	In.	mm.	In.	mm.	In.	mm.	In.	mm.		In.	mm.
5	.703	17.86	.513	13.03	.460	11.68	.300	7.62	.2500-32 UNEF-2A	.230	5.84
6	.788	20.02	.598	15.19	.522	13.26	.362	9.19	.3125-32 UNEF-2A	.286	7.26
7	.890	22.61	.708	17.98	.590	14.99	.436	11.07	.4375-28 UNEF-2A	.390	9.91
8	1.154	29.31	.964	24.49	.668	16.97	.508	12.91	.5000-28 UNEF-2A	.440	11.18
9	1.207	30.66	1.017	25.83	.721	18.31	.561	14.25	.5625-24 UNEF-2A	.500	12.70
10	1.291	32.79	1.101	27.97	.795	20.19	.635	16.13	.6250-24 UNEF-2A	.562	14.27
12	1.394	35.41	1.204	30.58	.874	22.20	.714	18.14	.6875-24 UNEF-2A	.650	16.51
14	1.545	39.24	1.280	32.51	1.050	26.67	.865	21.97	.9375-20 UNEF-2A	.805	20.45

ALTERNATE KEY POSITIONS

Pos.	A°	B°
N	150°	210°
X	75°	210°
Y	95°	230°
Z	140°	275°

FLANGE MOUNT PANEL CUTOUTS

Shell Size	A		Ø B	
	In.	mm.	In.	mm.
5	.513	13.03	.365	9.25
6	.598	15.19	.430	10.92
7	.708	17.98	.520	13.21
8	.964	17.98	.592	15.04
9	1.017	25.83	.645	16.38
10	1.101	27.97	.726	18.44
12	1.204	30.58	.832	21.13
14	1.280	32.51	.945	24.00

Dimensions in inches (millimeters) and are subject to change without notice.

© 2010 Glenair, Inc.

CAGE Code 06324

Printed in U.S.A.

GLENAIR, INC. • 1211 AIR WAY • GLENDALE, CA 91201-2497 • 818-247-6000 • FAX 818-500-9912

www.glenair.com

F-9

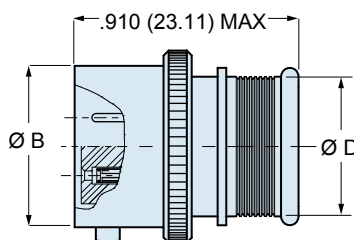
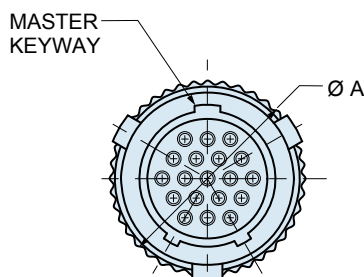
E-Mail: sales@glenair.com

01-JANUARY-2010

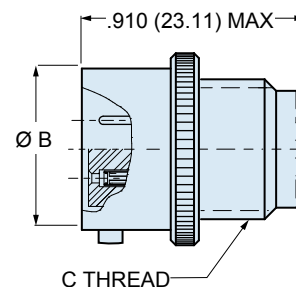
Series 803 Mighty Mouse ¼ Turn Bayonet Coupling

In-Line Receptacle Dimensions

803-004-01 and 803-003-01 Crimp Receptacles



Integral Band Platform
803-003-01



Accessory Thread
803-004-01

DIMENSIONS

Shell Size	A Max.		Ø B		C Thread	Ø D	
	In.	mm.	In.	mm.		In.	mm.
5	.402	10.21	.300	7.62	.2500-32 UNEF-2A	.230	5.84
6	.465	11.81	.362	9.19	.3125-32 UNEF-2A	.286	7.26
7	.500	12.70	.436	11.07	.4375-28 UNEF-2A	.390	9.91
8	.570	14.48	.508	12.90	.5000-28 UNEF-2A	.440	11.18
9	.652	16.56	.561	14.25	.5625-24 UNEF-2A	.500	12.70
10	.715	18.15	.635	16.13	.6250-24 UNEF-2A	.562	14.27
12	.805	20.45	.714	18.14	.6875-24 UNEF-2A	.650	16.51
14	.915	23.24	.865	21.97	.9375-20 UNEF-2A	.805	20.45

ALTERNATE KEY POSITIONS

Pos.	A°	B°
N	150°	210°
X	75°	210°
Y	95°	230°
Z	140°	275°

Dimensions in inches (millimeters) and are subject to change without notice.

Series 803 Mighty Mouse ¼ Turn Bayonet Coupling PCB Connector Ordering Information

803-005, 803-015



Series 803




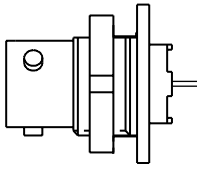
Series 803 Printed Circuit Board Receptacle

Printed Circuit Board/Solder Cup Receptacles feature low profile shells for minimum protrusion inside enclosures and integral standoffs for board washout. Contacts are non-removable.

Water Immersion, Unmated

Specify **803-005** connectors for applications where open face water immersion is not a requirement. For MIL-STD-810 Method 512G immersion requirements, specify **803-015** watertight connectors. These 803-015 connectors are specially sealed ("MOD-518") and are 100% tested to maintain a helium leak rate of 1×10^{-4} cc/second at one atmosphere pressure differential from -40C to +70C. **NOTE: mated connectors are not submersible.**

HOW TO ORDER SERIES 803 PRINTED CIRCUIT BOARD RECEPTACLES

Sample Part Number					
803-005	-07	ZN	6-7	S	N
Series	Shell Style	Shell Material / Finish	Shell Size- Insert Arrangement	Contact Type	Shell Key Position
<p>803-005 Receptacle for Solder Cup or PCB Termination, with Standard Epoxy Potting</p>  <p>- 02 Flange Mount</p>	<p>803-015 Receptacle for Solder Cup or PCB Termination, With Resilient Silicone Potting For Watertight Seal from -40° to +70°C (15 PSI Pressure Differential)</p>  <p>- 07 Jam Nut</p>	<p>C Aluminum / Black Anodize (Non-Conductive) RoHS Compliant</p> <p>M Aluminum / Electroless Nickel RoHS Compliant</p> <p>NF Aluminum / Cadmium with Olive Drab Chromate</p> <p>ZN Aluminum / Zinc-Nickel with Olive Drab Chromate</p> <p>ZNU Aluminum / Zinc-Nickel with Black Chromate</p> <p>MT Aluminum / Nickel-PTFE RoHS Compliant</p> <p>Z1 Stainless Steel / Passivated RoHS Compliant</p>	<p>SEE CONTACT ARRANGEMENTS PAGE F-2</p>	<p>P Pin, PC Tail</p> <p>S Socket, PC Tail</p> <p>E Pin, Solder Cup</p> <p>F Socket, Solder Cup</p>	<p>N Normal Alternative Key Positions:</p> <p>X</p> <p>Y</p> <p>Z</p>

Dimensions in inches (millimeters) and are subject to change without notice.

© 2010 Glenair, Inc.

CAGE Code 06324

Printed in U.S.A.

GLENAIR, INC. • 1211 AIR WAY • GLENDALE, CA 91201-2497 • 818-247-6000 • FAX 818-500-9912

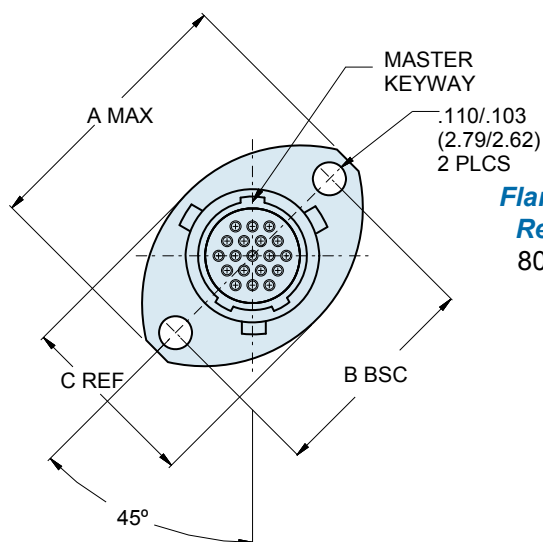
www.glenair.com

F-11

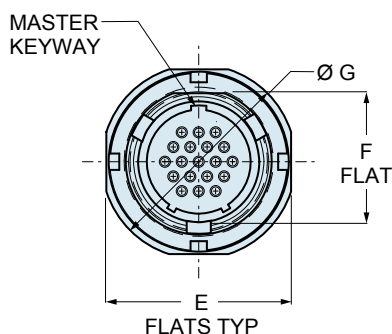
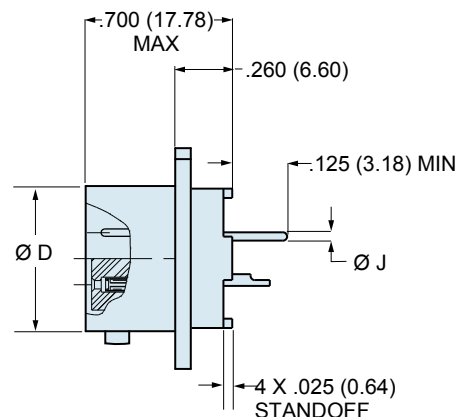
E-Mail: sales@glenair.com

01-JANUARY-2010

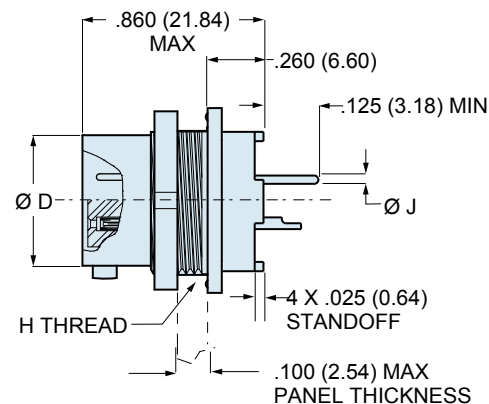
F



**Flange Mount
Receptacle**
803-005-02



**Jam Nut
Receptacle**
803-005-07



DIMENSIONS

Shell Size	A Max.		B Bsc.		C Ref.		Ø D		E Flats		F Flat		Ø G		H Thread	Ø J Tail Dia.
	In.	mm.	In.	mm.	In.	mm.	In.	mm.	In.	mm.	In.	mm.	In.	mm.		
5	.703	17.86	.513	13.03	.460	11.68	.300	7.62	.545	13.84	.350	8.89	.575	14.61	.3750-32 UNEF-2A	#23 (0.46/0.56)
6	.788	20.02	.598	15.19	.522	13.26	.362	9.19	.595	15.11	.410	10.42	.635	16.13	.4375-28 UNEF-2A	#20 (0.61/0.71)
7	.890	22.61	.708	17.98	.590	14.99	.436	11.07	.723	18.36	.536	13.61	.755	19.18	.5625-32 UN-2A	#16 (1.52/1.63)
8	1.154	29.31	.964	24.49	.668	16.97	.508	12.91	.790	18.36	.593	14.53	.755	19.18	.6250-28 UN-2A	#12 (.92/0.96)
9	1.207	30.66	1.017	25.83	.721	18.31	.561	14.25	.790	20.07	.596	15.14	.830	21.08	.6250-28 UN-2A	#12 (2.34/2.44)
10	1.291	32.79	1.101	27.97	.795	20.19	.635	16.13	.925	21.72	.721	18.31	.890	22.61	.7500-28 UN-2A	
12	1.394	35.41	1.204	30.58	.874	22.20	.714	18.14	1.044	26.52	.845	21.46	1.078	27.38	.8750-28 UN-2A	
14	1.545	39.24	1.280	32.51	1.050	26.67	.865	21.97	1.230	31.24	1.022	25.96	1.264	32.11	1.0625-20 UN-2A	

Dimensions in inches (millimeters) and are subject to change without notice.

Series 803 Mighty Mouse ¼ Turn Bayonet Coupling Hermetic Receptacle Connector Ordering Information

803-006



Series 803



Series 803 Hermetic Jam Nut Mount

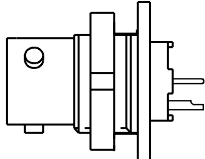

Series 803 Hermetic Receptacles feature 304L stainless steel shells, fused vitreous glass insulators and gold-plated Alloy 52 iron alloy contacts.

1000 PSI Pressure Rating in open face (unmated) condition.

Solder Cup Or PCB Contacts

1 X 10⁻⁷ cc/second maximum helium leak rate when tested at 1 atmosphere vacuum.

Two Shell Styles are available: Jam Nut and Flange Mount.

HOW TO ORDER					
Sample Part Number					
803-006	-07	Z1	9-19	P	N
Series	Shell Style	Shell Material / Finish	Shell Size/Insert	Contact Type	Shell Key Position
803-006 Hermetic Receptacles with Printed Circuit Board Contacts or Solder Cup Contacts	 - 07 Jam Nut	Z1 Stainless Steel / Passivated ZL Stainless Steel/ Nickel Plated	SEE CONTACT ARRANGEMENTS PAGE F-2	P Pin, Solder Cup C Pin, PC Tail S Socket, Solder Cup D Socket, PC Tail	N Normal Alternate Key Positions: X Y Z
	 - 02 Flange Mount				

Dimensions in inches (millimeters) and are subject to change without notice.

© 2010 Glenair, Inc.

CAGE Code 06324

Printed in U.S.A.

GLENAIR, INC. • 1211 AIR WAY • GLENDALE, CA 91201-2497 • 818-247-6000 • FAX 818-500-9912

www.glenair.com

F-13

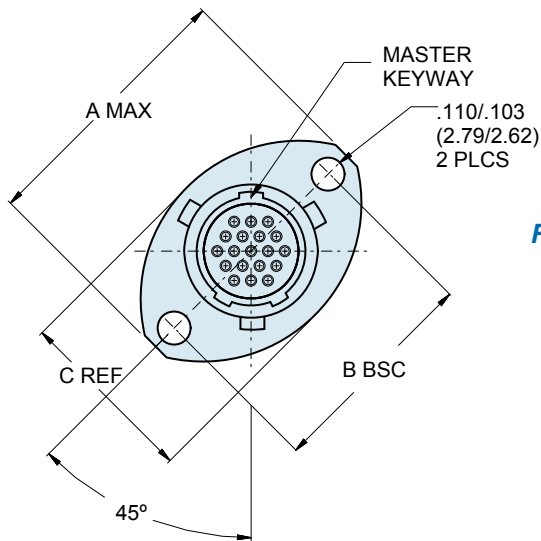
E-Mail: sales@glenair.com

14-SEPTEMBER-2011

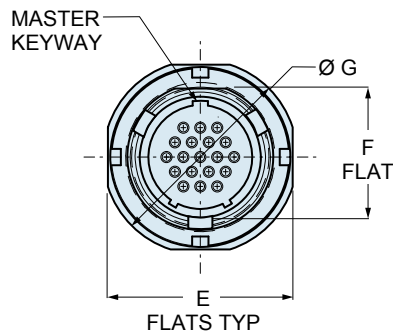
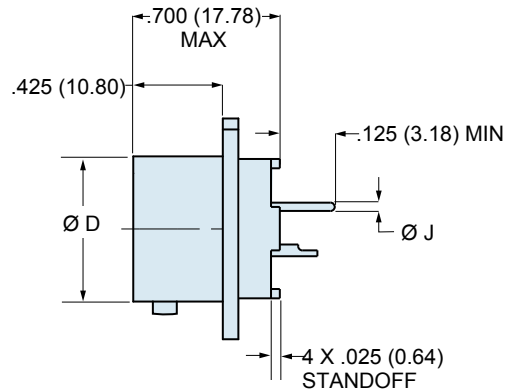
F

Series 803 Mighty Mouse ¼ Turn Bayonet Coupling Flange Mount and Jam Nut Receptacle Dimensions

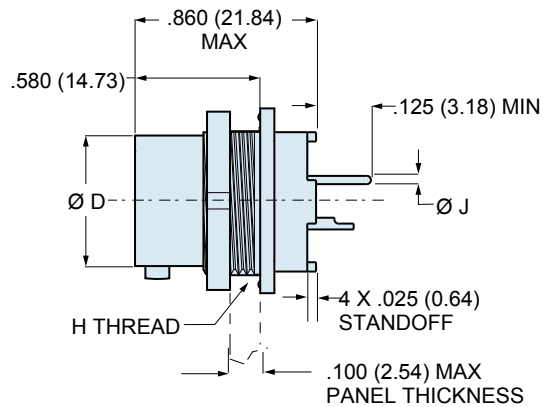
803-006-02 and 803-006-07



**Flange Mount
Receptacle**
803-006-02



**Jam Nut
Receptacle**
803-006-07



DIMENSIONS

Shell Size	A Max.		B Bsc.		C Ref.		Ø D		E Flats		F Flat		Ø G		H Thread	Ø J Tail Dia.
	In.	mm.	In.	mm.	In.	mm.	In.	mm.	In.	mm.	In.	mm.	In.	mm.		
5	.703	17.86	.513	13.03	.460	11.68	.300	7.62	.545	13.84	.350	8.89	.575	14.61	.3750-32 UNEF-2A	#23
6	.788	20.02	.598	15.19	.522	13.26	.362	9.19	.595	15.11	.410	10.42	.635	16.13	.4375-28 UNEF-2A	.018/.022 (0.46/0.56)
7	.890	22.61	.708	17.98	.590	14.99	.436	11.07	.723	18.36	.536	13.61	.755	19.18	.5625-32 UN-2A	#20
8	1.154	29.31	.964	24.49	.668	16.97	.508	12.91	.790	20.07	.593	15.10	.755	19.18	.6250-32 UN-2A	.024/.028 (0.61/0.71)
9	1.207	30.66	1.017	25.83	.721	18.31	.561	14.25	.790	20.07	.596	15.14	.830	21.08	.6250-28 UN-2A	#16
10	1.291	32.79	1.101	27.97	.795	20.19	.635	16.13	.925	23.51	.925	.721	.890	22.61	.7500-28 UN-2A	.060/.064 (1.52/1.63)
12	1.394	35.41	1.204	30.58	.874	22.20	.714	18.14	1.044	26.52	.845	21.46	1.078	27.38	.8750-28 UN-2A	#12
14	1.545	39.24	1.280	32.51	1.050	26.67	.865	21.97	1.230	31.24	1.022	25.96	1.264	32.11	1.0625-20 UN-2A	.092/.096 (2.34/2.44)

Dimensions in inches (millimeters) and are subject to change without notice.



Overmolded Cordset

Abrasion-Resistant Polyurethane Jacket provides cold temperature flexibility and high strength. Low smoke/zero halogen material meets requirements for low toxicity.

90% Tinned Copper Braid is terminated directly to connector with stainless steel **BAND-IT®** strap.

Watertight Overmold provides strain relief and protection.

Series 803 Harsh Environment Shielded Cordsets

These overmolded cordsets withstand abrasion and chemical exposure. Low smoke zero halogen jacket reduces the amount of toxic and corrosive gasses emitted during combustion. Cable construction features silver coated stranded conductors with TFE insulation, tinned copper braid shield and extruded polyurethane jacket. Choose single-ended pigtails or double-ended "back-to-back" versions. Braid shield is attached directly to connector with **BAND-IT®** straps. Semi-rigid polyamide overmold provides strain relief and environmental sealing.

Series 801 cordsets are now available with size #20HD, #16 and #12 contacts. Ordering information is found on the following pages.

HARSH ENVIRONMENT CORDSET SPECIFICATIONS

Cable Jacket Material	Thermoplastic Polyurethane, Black, Low-Smoke, Zero-Halogen
Cable Shield	Tin-Coated Copper Braid, 90% Minimum Coverage
Conductors	Silver Coated Stranded Wire, TFE Insulated, Per M22759/11
BAND-IT® Shield Termination Band	Stainless Steel
Current Rating	#23 5 Amps, #20HD 7.5 Amps, #16 13 Amps, #12 23 Amps
Test Voltage (Dielectric Withstanding Voltage)	#23 500 VAC, #20HD 700 VAC, #16 and #12 1800 VAC Sea Level
Insulation Resistance	200 megohms minimum
Operating Temperature	-30° C. to +105° C.
Solvent Resistance, Polyamide Overmold	Excellent Resistance to Most Solvents, Fuels, and Oils; Poor Resistance to Strong Acids and Bipolar Solvents (Alcohol)
Shielding Effectiveness	50 dB minimum from 100MHz to 1000MHz.
Cable jacket Flammability and Toxicity	Toxicity Index 3.9 per NES 713 Oxygen Index 28% per ASTM D-2863 Smoke Index 24 per NES 711

Dimensions in inches (millimeters) and are subject to change without notice.



Series 803 Mighty Mouse ¼ Turn Bayonet Coupling Overmolded ASAP Cordset Dimensions

803-009, 803-016

SERIES 803 CORDSETS WITH SIZE #23 CONTACTS

Sample Part Number								
803-009	-A	C	2	M	9-19	P	N	-72
Series	End A Connector	End B Connector	Wire Size	Shell Material / Finish	Insert Arr.	Protective Cover	Shell Key Pos.	Length
803-009 Overmolded Cordset, Shielded, with Low Smoke/Zero Halogen Polyurethane Jacket, Size #23 Contacts	- A	A	2	M	5-3	P	N	Overall Length In Inches 12 Inch Min.
	Plug, with Male Pin Contacts	Plug, with Male Pin Contacts	#22 AWG	Aluminum / Electroless Nickel	6-4	Metal Protective Covers Included	Normal	
	- B	B	4	NF	6-6		X	
	Plug, with Female Socket Contacts	Plug, with Female Socket Contacts	#24 AWG	Aluminum / Cadmium with Olive Drab Chromate	6-7	No Covers Supplied	Pos. X	
	- C	C		ZNU	7-10		Y	
Receptacle, with Male Pin Contacts	Receptacle, with Male Pin Contacts		Aluminum / Zinc-Nickel with Black Chromate	8-13	Pos. Y			
- D	D		MT	9-19	Z	Pos. Z		
Receptacle, with Female Socket Contacts	Receptacle, with Female Socket Contacts		Aluminum / Nickel-PTFE	10-26				
		N	Z1	12-37				
		No Connector (Single-Ended)	Stainless Steel / Passivated	14-55				

SERIES 803 CORDSETS WITH SIZE #20HD CONTACTS

Sample Part Number								
803-016	-A	C	2	M	7-25	P	N	-72
Series	End A Connector	End B Connector	Wire Size	Shell Material / Finish	Insert Arr.	Protective Cover	Shell Key Pos.	Length
803-016 Overmolded Cordset, Shielded, with Low Smoke/Zero Halogen Polyurethane Jacket, Size #20HD Contacts	- A	A	0	M	6-23	P	N	Overall Length In Inches 12 Inch Min.
	Plug, with Male Pin Contacts	Plug, with Male Pin Contacts	#20 AWG	Aluminum / Electroless Nickel	7-25	Metal Protective Covers Included	Normal	
	- B	B	2	NF	8-28		X	
	Plug, with Female Socket Contacts	Plug, with Female Socket Contacts	#22 AWG	Aluminum / Cadmium with Olive Drab Chromate	9-210	No Covers Supplied	Pos. X	
	- C	C		ZNU	12-220		Y	
Receptacle, with Male Pin Contacts	Receptacle, with Male Pin Contacts		Aluminum / Zinc-Nickel with Black Chromate	14-235	Pos. Y			
- D	D		MT		Z	Pos. Z		
Receptacle, with Female Socket Contacts	Receptacle, with Female Socket Contacts		Aluminum / Nickel-PTFE					
		N	Z1					
		No Connector (Single-Ended)	Stainless Steel / Passivated					

Dimensions in inches (millimeters) and are subject to change without notice.

**Series 803 Mighty Mouse ¼ Turn Bayonet Coupling
Overmolded ASAP Cordset Dimensions
803-013, 803-014**



Series 803

SERIES 803 CORDSETS WITH SIZE #16 CONTACTS

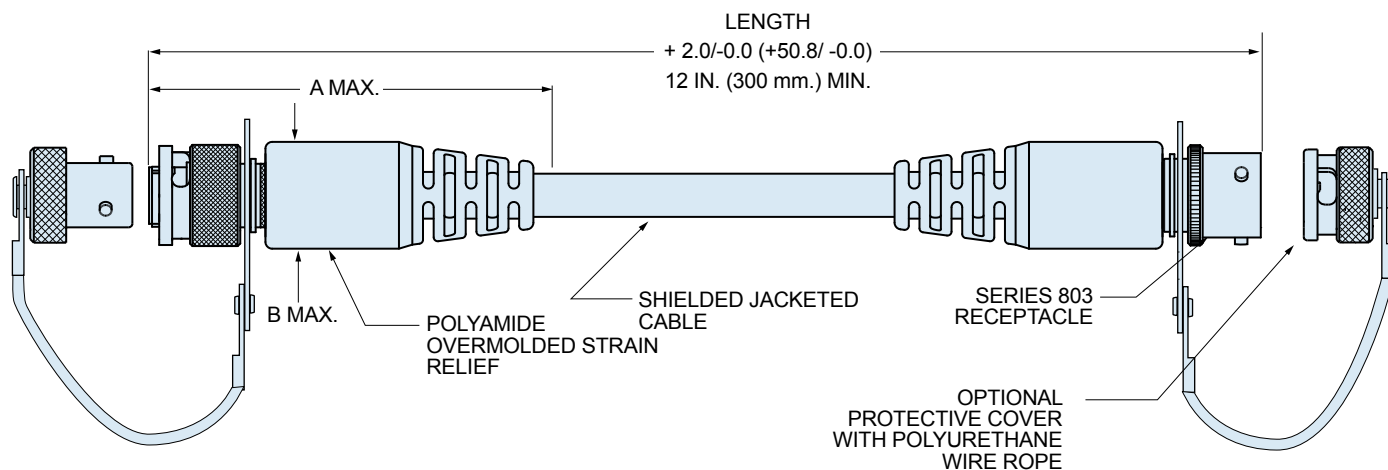
Sample Part Number								
803-013	-A	C	6	M	9-4	P	N	-72
Series	End A Connector	End B Connector	Wire Size	Shell Material / Finish	Insert Arr.	Protective Cover	Shell Key Pos.	Length
803-013 Overmolded Cordset, Shielded, with Low Smoke/ Zero Halogen Polyurethane Jacket, Size #16 Contacts	-A Plug, with Male Pin Contacts	A Plug, with Male Pin Contacts	6 #16 AWG	M Aluminum / Electroless Nickel	6-1 8-2 9-4	P Metal Protective Covers Included	N Normal	Overall Length In Inches 12 Inch Min.
	-B Plug, with Female Socket Contacts	B Plug, with Female Socket Contacts	8 #18 AWG	NF Aluminum / Cadmium with Olive Drab Chromate	10-5 12-7 14-12	N No Covers Supplied	X Pos. X	
	-C Receptacle, with Male Pin Contacts	C Receptacle, with Male Pin Contacts		ZNU Aluminum / Zinc-Nickel with Black Chromate			Y Pos. Y	
	-D Receptacle, with Female Socket Contacts	D Receptacle, with Female Socket Contacts		MT Aluminum / Nickel-PTFE			Z Pos. Z	
		N No Connector (Single-Ended)		Z1 Stainless Steel / Passivated				

F

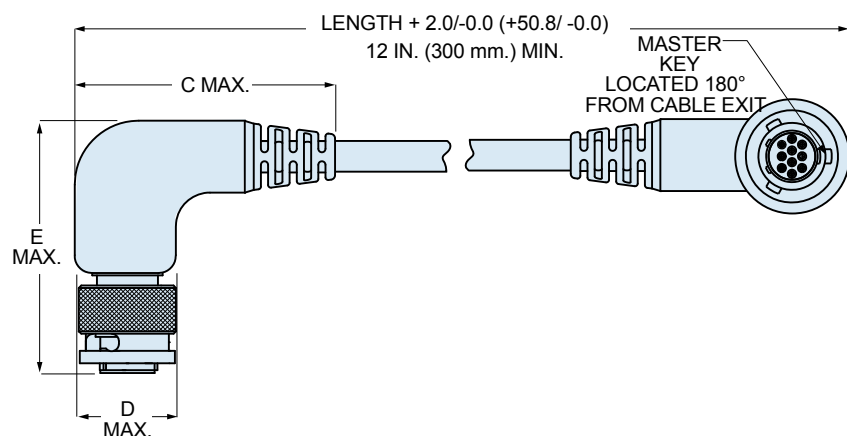
SERIES 803 CORDSETS WITH SIZE #12 CONTACTS

Sample Part Number								
803-014	-A	C	2	M	10-2	N	N	-72
Series	End A Connector	End B Connector	Wire Size	Shell Material / Finish	Insert Arr.	Protective Cover	Shell Key Pos.	Length
803-014 Overmolded Cordset, Shielded, with Low Smoke/ Zero Halogen Polyurethane Jacket, Size #12 Contacts	-A Plug, with Male Pin Contacts	A Plug, with Male Pin Contacts	2 #12 AWG	M Aluminum / Electroless Nickel	7-1 10-2 12-2	P Metal Protective Covers Included	N Normal	Overall Length In Inches 12 Inch Min.
	-B Plug, with Female Socket Contacts	B Plug, with Female Socket Contacts	4 #14 AWG	NF Aluminum / Cadmium with Olive Drab Chromate	12-3 14-5	N No Covers Supplied	X Pos. X	
	-C Receptacle, with Male Pin Contacts	C Receptacle, with Male Pin Contacts		ZNU Aluminum / Zinc-Nickel with Black Chromate			Y Pos. Y	
	-D Receptacle, with Female Socket Contacts	D Receptacle, with Female Socket Contacts		MT Aluminum / Nickel-PTFE			Z Pos. Z	
		N No Connector (Single-Ended)		Z1 Stainless Steel / Passivated				

Dimensions in inches (millimeters) and are subject to change without notice.



RIGHT ANGLE CORDSETS



How To Order Right Angle Cordsets
Insert the letter "R" after the End A or End B Connector letter designator.

Example

Straight cable 803-009-AC4M6-4PN-72
Right Angle 803-009-ARCR4M6-4PN-72

DIMENSIONS

Shell Size	A Max.		B Max.		C Max.		D Max.		E Max.	
	In.	mm.	In.	mm.	In.	mm.	In.	mm.	In.	mm.
5	2.15	54.61	0.6	15.24	1.5	38.1	0.6	15.24	1.85	46.99
6	2.15	54.61	0.6	15.24	1.5	38.1	0.6	15.24	1.85	46.99
7	2.15	54.61	0.7	17.78	1.5	38.1	0.7	17.78	2.05	52.07
8	2.25	57.15	0.8	19.05	1.6	40.64	0.8	19.05	2.15	54.61
9	2.55	64.77	0.9	21.59	1.9	48.26	0.9	21.59	2.35	59.69
10	2.55	64.77	0.9	21.59	1.9	48.26	0.9	21.59	2.35	59.69
12	2.85	72.39	1.1	27.94	2.2	55.88	1.1	27.94	2.85	72.39
14	3.15	80.01	1.3	33.02	2.5	63.5	1.3	33.02	3.25	82.55

Dimensions in inches (millimeters) and are subject to change without notice.

Series 803 Mighty Mouse ¼ Turn Bayonet Coupling Protective Cover Ordering Information

660-082 and 660-083



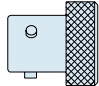
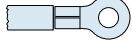
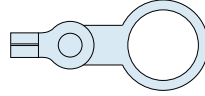
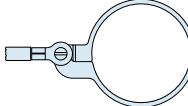
Protect Connectors From Damage – Machined aluminum covers prevent ingress of contamination and water.

Stainless Steel Fittings and Rings – Choose small diameter eye fittings for panel attachment. Larger rings fit under the jam nut or over cable jackets. Split rings can be installed on fully assembled cables.

Polyurethane-Coated SST Wire Rope offers high strength, excellent abrasion resistance and good flexibility. Or, choose Teflon® jacket for high temperature exposure.

Braided Nylon Rope provides excellent flexibility and good abrasion resistance, and can be ordered with slip knot fittings for easy installation on any size cable.

HOW TO ORDER SERIES 803 BAYONET PROTECTIVE COVERS

Sample Part Number						
660-082	-M	H	9	06	-6	
Series	Shell Material / Finish	Attachment Type	Shell Size	Attachment Code	Attachment Length in Inches	
 660-082 Protective Cover for use with Bayonet Plug Connectors	C Aluminum / Black Anodize (Non-Conductive) RoHS Compliant M Aluminum / Electroless Nickel RoHS Compliant NF Aluminum / Cadmium with Olive Drab Chromate ZN Aluminum / Zinc-Nickel with Olive Drab Chromate ZNU Aluminum / Zinc-Nickel with Black Chromate MT Aluminum / Nickel-PTFE RoHS Compliant Z1 Stainless Steel / Passivated RoHS Compliant	G Nylon Rope	5 6 7 8 9 10 12 14	Omit for attachment Types N (No Attachment) and SK (Slip Knot)	Omit for attachment Type N (No Attachment) Example "-6" equals six inch length	
		H SST Wire Rope, Teflon® Jacket	N No Attachment	 Small Ring		01 – .126 (3.20) I.D. 02 – .145 (3.68) I.D. 04 – .188 (4.78) I.D. 06 – .197 (5.00) I.D.
		S SST Sash Chain	SK Nylon Rope With Slip Knot	 Large Ring		14 – .385 (9.78) I.D. 15 – .445 (11.30) I.D. 16 – .570 (14.48) I.D. 17 – .635 (16.13) I.D. 18 – .695 (17.65) I.D. 19 – .885 (22.48) I.D. 20 – 1.070 (27.17) I.D.
		T SST Wire Rope, No Jacket	U SST Wire Rope, Polyurethane Jacket	 Split Ring		50 – .420 (10.67) I.D. 52 – .480 (12.19) I.D. 54 – .635 (16.13) I.D. 56 – .745 (18.92) I.D. 58 – .885 (22.48) I.D. 60 – 1.010 (25.65) I.D. 64 – 1.125 (28.58) I.D. 68 – 1.345 (34.16) I.D.

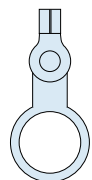
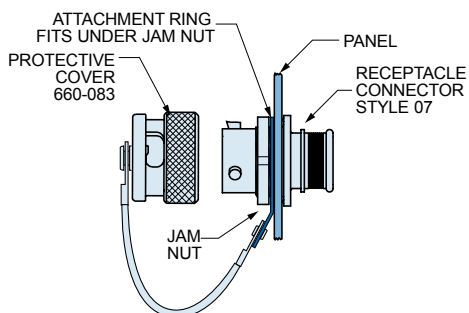
Dimensions in inches (millimeters) and are subject to change without notice.



Series 803 Mighty Mouse 1/4 Turn Bayonet Coupling Protective Cover Dimensions

660-082 and 660-083

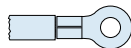
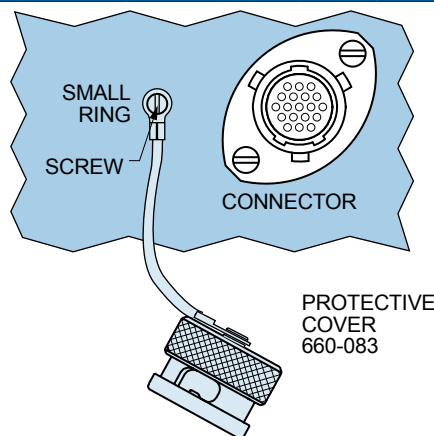
Attaching a 660-083 Receptacle Cover to a Rear Panel Mounted Jam Nut Receptacle



Solid Ring

Dia. Code	Shell Size	Ring I.D.		Ring O.D.	
		In.	mm.	In.	mm.
14	5	±.010	±0.25	±.015	± 0.38
15	6	.385	9.78	.510	12.95
16	7, 8	.445	11.30	.685	17.40
17	9	.570	14.48	.760	19.30
18	10	.635	16.13	.820	20.82
19	12	.695	17.65	1.010	25.65
20	14	.885	22.48	1.195	30.35

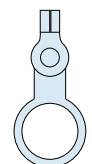
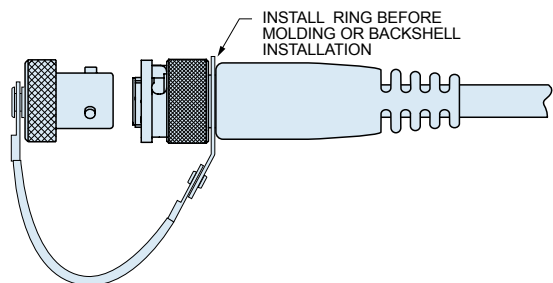
Attaching a Cover to a Panel With a Screw



Small Ring for Attaching Receptacle Covers to a Panel with a Screw

Dia. Code	Screw Size	Ring I.D.		Ring O.D.	
		In.	mm.	In.	mm.
01	#4, M3	±.005	±0.13	Max.	Max.
02	#6	.126	3.20	.31	7.9
04	#8, M4	.145	3.68	.31	7.9
06	#10	.188	4.78	.31	7.9

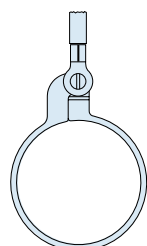
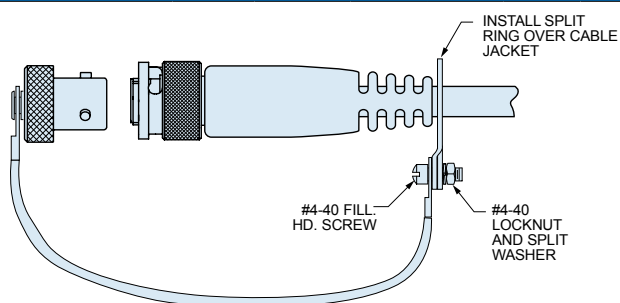
Attaching a Cover to a Cable Assembly With a Solid Ring



Solid Ring

Dia. Code	Shell Size	Ring I.D.		Ring O.D.	
		In.	mm.	In.	mm.
14	5,6	±.010	±0.25	±.015	± 0.38
15	7	.385	9.78	.510	12.95
16	8, 9	.445	11.30	.685	17.40
18	10, 12	.570	14.48	.760	19.30
20	14	.635	16.13	.820	20.82
		.695	17.65	1.010	25.65
		.885	22.48	1.195	30.35

Attaching a Cover to a Cable Using a Split Ring or Slip Knot



Large Split Ring for Attaching Covers to Cables

Dia. Code	Max. Cable Dia. (in.)	Ring Diameter			
		Min. ID		Max. OD	
		In.	mm.	In.	mm.
50	.410	.420	10.67	.580	14.73
52	.470	.480	12.19	.640	16.26
54	.625	.635	16.13	.796	20.22
56	.735	.745	18.92	.905	22.99
58	.875	.885	22.48	1.046	26.57
60	1.000	1.010	25.65	1.171	29.74
64	1.115	1.125	28.58	1.285	32.64
68	1.335	1.345	34.16	1.505	38.23

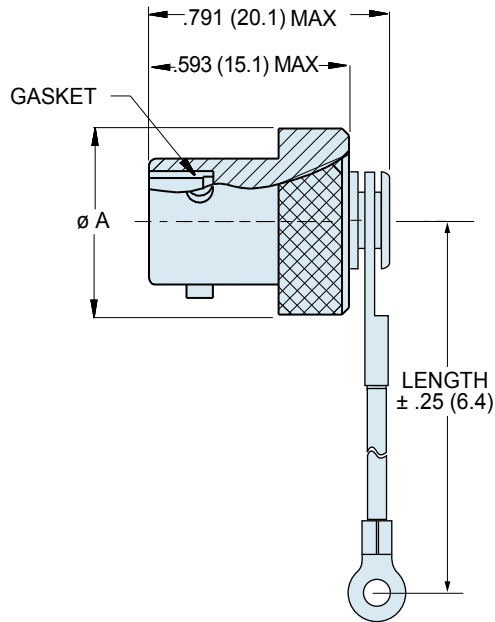
Dimensions in inches (millimeters) and are subject to change without notice.

Series 803 Mighty Mouse ¼ Turn Bayonet Coupling Protective Cover Dimensions

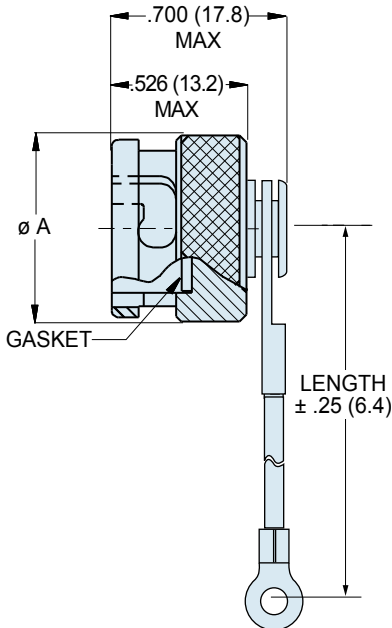
660-082 and 660-083



Series 803



Plug Cover
660-082



Receptacle Cover
660-083

Shell Size	Ø A Max.	
	In.	mm.
5	.620	15.7
6	.620	15.7
7	.620	15.7
8	.690	17.5
9	.760	19.3
10	.850	21.6
12	.940	23.8
14	1.170	29.7

MATERIALS AND FINISHES

Cover	Aluminum alloy or stainless steel
Gasket	Fluorosilicone rubber
Wire, Hardware	Stainless steel, passivated

LANYARD OPTIONS

Nylon Rope (G)	-55° to +100°C., black, very flexible, very good abrasion resistance, good resistance to fuels, .120" (3mm) diameter
Polyurethane Coated Wire Rope (U)	Black polyurethane over stainless steel rope, -55° to +125°C., very flexible, excellent abrasion resistance, excellent resistance to fuels, .080" (2mm) diameter
Teflon® Jacketed Wire Rope (H)	Translucent FEP jacket over stainless steel, -55° to +200°C., fair flexibility, good abrasion resistance, .100" diameter
Sash Chain (S)	Stainless steel, #8 chain, .240" (6mm)
Slip Knot (SK) for Attaching Covers to Cable	55° to +100°C., black, very flexible, very good abrasion resistance, good resistance to fuels, .120" (3mm) diameter. Length includes .5" (13mm) diameter loop.

Dimensions in inches (millimeters) and are subject to change without notice.

© 2010 Glenair, Inc.

CAGE Code 06324

Printed in U.S.A.

GLENAIR, INC. • 1211 AIR WAY • GLENDALE, CA 91201-2497 • 818-247-6000 • FAX 818-500-9912

www.glenair.com

F-21

E-Mail: sales@glenair.com

09-MARCH-2010

SERIES 80

MADE TO ORDER CABLE ASSEMBLIES



Nothing quite says "turnkey" like a factory-terminated and -tested Mighty Mouse Cordset. From simple point-to-point assemblies like the Mighty Mouse/USB cable shown above, to complex multi-branch cable harnesses, junction-box assemblies, shielded, overmolded designs and more—Glenair delivers true "turnkey" service on our entire Series 80 product line. And at Glenair, the bid-process for custom Mighty Mouse cables is streamlined. We TRULY pride ourselves on FAST delivery. In fact, because we manufacture all our component parts in-house—including connectors, cables, backshells and other accessories—we can usually quote, build, test and ship our cables faster than many cable shops can complete their bid-file paperwork. So, after you've made the decision to choose Mighty Mouse for your mission-critical application, we invite you to leverage our cable assembly service for added speed and convenience.



**Series 804 Push-Pull Mighty Mouse
Quick-Disconnect Connectors
Product Selection Guide**



SECTION G SERIES 804 PUSH-PULL PRODUCT SELECTION GUIDE

Cable Plugs

Page G-5

804-001, 804-002



Series 804 Cable Plugs

Cable plugs are available with an integral shield termination platform for use with **BAND-IT**® microbands sold separately, or with accessory threads for backshell attachment. Contacts are crimp-type, and are packaged with the connector.

Crimp Receptacles

Page G-7

804-003, 804-004



Series 804 Receptacles, Crimp Termination

Choose in-line version for free-hanging cables, or choose jam nut versions for panel mounting. Crimp receptacles are available with an integral shield termination platform or with accessory threads for backshell attachment. Contacts are crimp-type, and are packaged with the connector.

Solder Cup/PCB Receptacles

Page G-11

804-005, 804-020



Series 804 Receptacles with PCB or Solder Cup Terminals

These panel mount connectors feature gold plated, factory-installed contacts. Connector bodies are sealed with epoxy to assure a water-tight open face seal.

Panel Mount Plugs

Page G-14

804-009, 804-021



Series 804 Panel Mount Plugs with PCB or Solder Cup Terminals

These panel mount plugs offer reduced profiles inside the box compared to panel mount receptacles. Connector bodies are sealed with epoxy to assure a water-tight open face seal.

Hermetic Receptacles

page G-18



Series 804 Hermetic Receptacles

Need a miniaturized hermetic for a sealed box or instrument? These stainless steel, glass-sealed connectors are available with solder cup or PC tail contacts. 100% tested to meet 1 X 10⁻⁶ cc/sec helium leakage. Open face pressure rating 1000 PSI.

Cordsets

page G-21

804-015, 804-018,
804-019, 804-022



Series 804 Cordsets

Specify overmolded cordsets for optimum convenience and performance. Select standard polyurethane cable for general purpose applications, or specify low smoke/zero halogen polyurethane for applications where low toxicity is mandated.

Metal Covers

Page G-25

667-202, 809-198



Series 804 Metal Protective Covers

These metal covers provide a watertight seal and prevent damage. Select nylon cord or wire rope lanyards with a range of ring terminal diameters to fit just about any need.

Rubber Covers

page G-30

809-083, 809-087



Series 804 Rubber Covers

These splashproof neoprene covers are ideal for tactical equipment where metal covers are not preferred.

Flop Lids

Page G-33

667-282



Series 804 Metal Flop Lid Covers

These metal covers fit rear panel jam nut receptacles. Spring-loaded cover snaps shut when mating plug is pulled free.

Dimensions in inches (millimeters) and are subject to change without notice.

CAGE Code 06324

Printed in U.S.A.

© 2010 Glenair, Inc.

GLENAIR, INC. • 1211 AIR WAY • GLENDALE, CA 91201-2497 • 818-247-6000 • FAX 818-500-9912

www.glenair.com

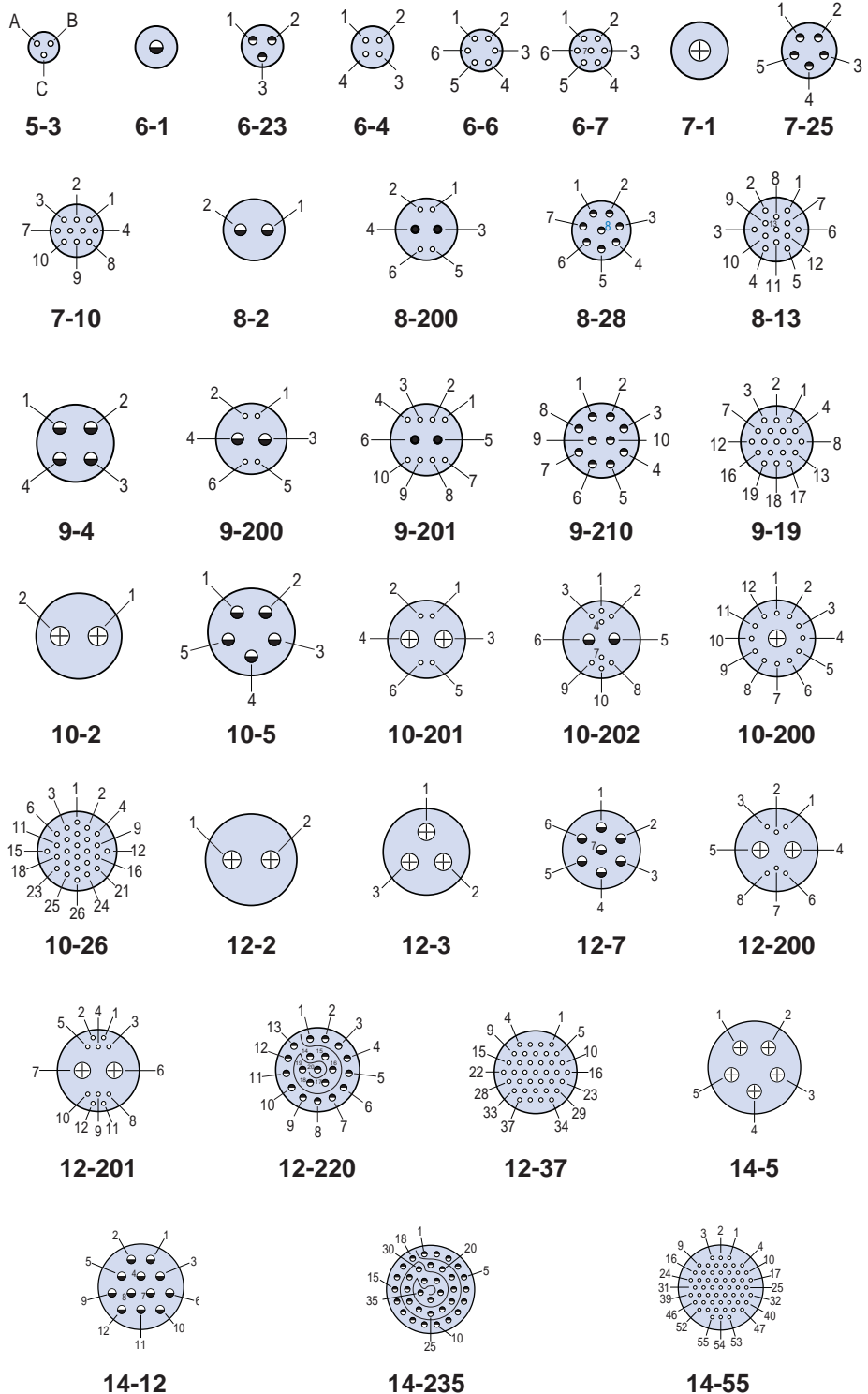
G-1

E-Mail: sales@glenair.com

Rev. 01-JANUARY-2010

Mating Face View of Pin Connector (socket connector numbers are reversed)

CONTACT ARRANGEMENTS					
Contact Arr.	No. of Contacts				
	#23	#20	#20HD	#16	#12
5-3	3				
6-1				1	
6-23			3		
6-4	4				
6-6	6				
6-7	7				
7-1					1
7-25			5		
7-10	10				
8-2				2	
8-28			8		
8-13	13				
8-200	4	2			
9-4				4	
9-210			10		
9-19	19				
9-200	4			2	
9-201	8	2			
10-2					2
10-5				5	
10-26	26				
10-200	12				1
10-201	4				2
10-202	8			2	
12-2					2
12-3					3
12-7				7	
12-220			20		
12-37	37				
12-200	6				2
12-201	10				2
14-5					5
14-12				12	
14-235			35		
14-55	55				



Contact Legend
 #23 ◯ #20HD ◐ #20 ● #16 ⊕ #12 ⊕

Dimensions in inches (millimeters) and are subject to change without notice.

© 2010 Glenair, Inc.

CAGE Code 06324

Printed in U.S.A.

GLENAIR, INC. • 1211 AIR WAY • GLENDALE, CA 91201-2497 • 818-247-6000 • FAX 818-500-9912

www.glenair.com

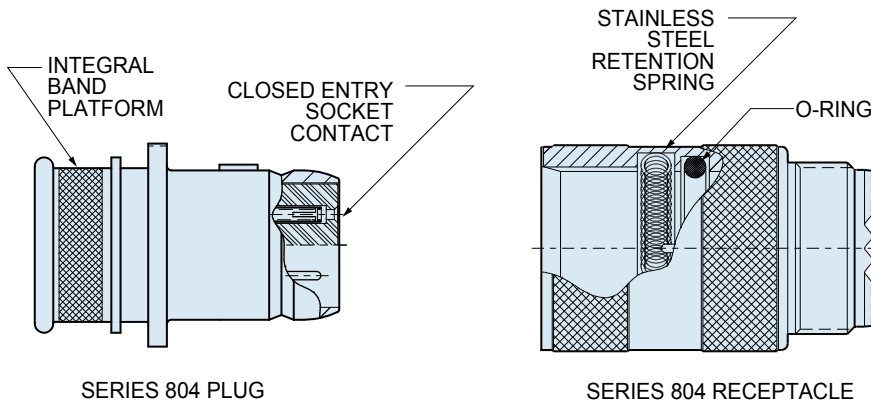
G-2

E-Mail: sales@glenair.com

Rev. 09-JULY-2010

Series 804 Push-Pull Mighty Mouse Quick-Disconnect Connectors

General Information



- Push-to-Mate, Pull-to-Unmate
- Gold-Plated tainless Steel Spring
- Crimp Rear Release Contacts
- Integral Band Platform
- Available with Size #12, #16, #20, #20HD and #23 Contacts
- Environmentally Sealed

Series 804 Quick-Disconnect Offers Environmental Sealing and Rugged Design in a Lightweight, Push-Pull Package

Ideal for breakaway connections, the Series 804 QDC connector features a stainless steel spring in the receptacle and a detent on the plug body. Used for headsets, radios, weapons and other applications, the QDC Mighty Mouse meets immersion requirements and provides excellent durability. The gold-plated spring provides low shell-to-shell resistance for excellent EMI shielding. A fluorosilicone o-ring provides a watertight seal when mated.



SPECIFICATIONS

Current Rating	#23 5 AMPS, #16 13 A., #12 23 A.
Dielectric Withstanding Voltage	#23 500 VAC RMS, #12 and #16 1800 VAC RMS
Insulation Resistance	5000 megohms minimum
Operating Temperature	-65° C. to +150° C.
Shock	300 g.
Vibration	37 g.
Shielding Effectiveness ⁽¹⁾	60 dB minimum from 100MHz to 1000MHz.
Durability	2000 mating cycles
(1) Tested with electroless nickel plating	
See Series 80 General Information for complete performance specs.	

MATERIALS AND FINISHES

Shells, Jam Nuts	Aluminum alloy or stainless steel
Contacts	Copper alloy, 50 µInch gold plated
Insulators	Liquid crystal polymer (LCP)
Contact Retention Clip	Beryllium copper alloy
Seal, O-rings, Grommet	Fluorosilicone rubber
Spring	Gold plated stainless steel
See Series 80 General Information for complete material and finish specs.	

Dimensions in inches (millimeters) and are subject to change without notice.



Series 804 Push-Pull Mighty Mouse Quick-Disconnect Connectors General Information

SERIES 804 WEIGHTS

Maximum Weight In Grams				
Layout	Plug	Jam Nut Receptacle		In-Line Recep.
		Rear Mount	Front Mount	
5-3P	2.2	8.0	9.7	4.0
5-3S	2.4	8.3	9.8	4.1
6-1P	3.1	7.2	11.8	5.2
6-1S	3.4	7.5	12.1	5.5
6-4P	2.8	8.8	11.4	4.8
6-4S	3.0	9.0	11.6	5.1
6-7P	3.0	9.1	11.7	5.3
6-7S	3.2	9.5	12.0	5.5
7-1P	3.7	11.1	16.4	10.1
7-1S	4.3	11.7	16.9	10.7
7-10P	3.7	10.9	16.2	10.0
7-10S	4.2	11.3	16.5	10.3
8-2P	5.0	10.9	13.5	8.0
8-2S	5.7	5.7	11.7	9.0
8-13P	4.3	10.6	12.4	7.4
8-13S	4.8	11.0	13.0	8.1
8-200P	5.3	11.2	13.9	8.4
8-200S	6.1	12.0	14.6	9.1
9-4P	5.7	15.2	21.1	11.0
9-4S	6.7	16.2	22.1	12.0
9-19P	4.6	14.1	20.0	9.9
9-19S	4.8	14.9	21.1	9.8
9-200P	5.2	14.6	20.6	10.5
9-200S	6.3	15.7	21.7	11.6
9-201P	5.8	15.3	21.2	11.1
9-201S	6.9	16.4	22.3	12.2
10-5P	7.3	15.5	23.3	11.9
10-5S	8.7	16.9	24.8	13.3
10-26P	5.4	13.6	20.5	10.1
10-26S	6.2	13.9	21.1	10.5
10-200P	6.2	14.4	22.2	10.8
10-200S	7.6	15.8	23.7	12.2
10-201P	6.3	14.5	22.3	10.9
10-201S	7.7	16.0	23.8	12.3
10-202P	6.3	14.5	22.3	10.9
10-202S	7.8	16.1	23.9	12.4
12-2P	10.7	21.5	26.1	20.8
12-2S	12.3	23.1	27.7	22.4
12-3P	11.7	22.4	27.1	21.8
12-3S	13.4	24.2	28.8	23.4
12-7P	11.9	22.7	27.3	22.0

SERIES 804 WEIGHTS

Maximum Weight In Grams				
Layout	Plug	Jam Nut Receptacle		In-Line Recep.
		Rear Mount	Front Mount	
12-7S	14.5	25.3	29.9	24.6
12-37P	10.1	21.5	25.5	22.4
12-37S	11.8	23.1	27.2	22.1
12-200P	10.3	21.1	25.7	20.5
12-200S	12.5	23.3	27.9	22.7
12-201P	10.7	21.5	26.1	22.8
12-201S	13.0	23.8	28.4	23.1
14-5P	15.4	28.3	33.6	26.3
14-5S	18.4	31.2	36.5	29.3
14-12P	16.2	29.0	34.3	27.1
14-12S	19.8	32.7	38.0	30.7
14-55P	12.8	25.6	30.9	23.7
14-55S	15.6	28.3	33.8	26.5

SERIES 804 UNMATE FORCE

Layout	Average Force	
	Pounds	Newtons
5-3	10.6	47.1
6-4	10.8	48.0
6-7	11.4	50.7
7-10	12.0	53.4
8-13	12.6	56.0
9-19	13.8	61.4
10-26	15.2	67.6
12-37	17.4	77.4
14-55	21.0	93.4

Dimensions in inches (millimeters) and are subject to change without notice.

Series 804 Push-Pull Mighty Mouse Plug Connector Ordering Information

804-001 & 804-002



Quick Disconnect

These plugs snap securely into receptacle housings and release with a simple pull.

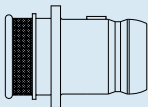
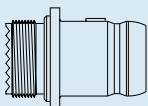
Two Keying Styles

A single master key provides fast mating in low-light situations, or specify three keys for more polarizing options.

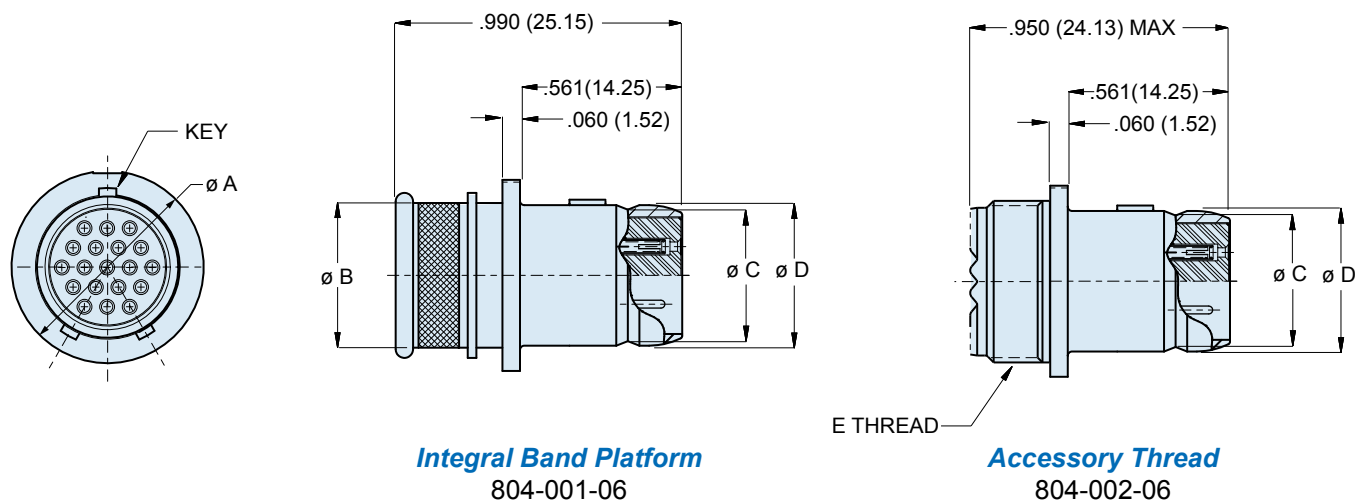
Two Shell Styles

Integral platform for direct shield attachment using the *BAND-IT*® termination system, or an accessory thread for attaching a strain relief.

Series 804 Plug Connector

HOW TO ORDER					
Sample Part Number					
804-001	-06	M	9-19	S	
Series	Shell Style	Shell Material / Finish	Shell Size- Insert Arrangement	Contact Type	Shell Key Position
 <p>804-001 Plug with Banding Platform</p>  <p>804-002 Plug with Accessory Thread</p>	<p>-06 Plug</p>	<p>C Aluminum / Black Anodize (Non-Conductive) RoHS Compliant</p>	<p>SEE CONTACT ARRANGEMENTS PAGE G-2</p>	<p>Connector supplied with contacts</p> <p>P Pin</p>	<p>Omit for Single Master Key</p>
		<p>M Aluminum / Electroless Nickel RoHS Compliant</p>		<p>S Socket</p>	
		<p>NF Aluminum / Cadmium with Olive Drab Chromate</p>		<p>Connector supplied without contacts</p> <p>A Pin Connector, less contacts</p>	<p>B Pos. B</p>
		<p>ZN Aluminum / Zinc-Nickel with Olive Drab Chromate</p>		<p>B Socket Connector, less contacts</p>	<p>C Pos. C</p>
		<p>ZNU Aluminum / Zinc-Nickel with Black Chromate</p>		<p>Connectors with contacts are supplied with signal and/or power crimp contacts. These contacts are not installed.</p>	<p>D Pos. D</p>
		<p>MT Aluminum / Nickel-PTFE RoHS Compliant</p>		<p>Coaxial contacts and non-standard signal contacts are ordered separately.</p>	
		<p>Z1 Stainless Steel / Passivated RoHS Compliant</p>			

Dimensions in inches (millimeters) and are subject to change without notice.



Integral Band Platform
804-001-06

Accessory Thread
804-002-06

DIMENSIONS

Shell Size	Ø A Max.		Ø B		Ø C		Ø D		E Threads
	In.	mm.	In.	mm.	In.	mm.	In.	mm.	
5	.427	10.85	.246	6.25	.219	5.56	.250	6.35	.2500-32 UNEF-2A
6	.495	12.57	.286	7.26	.282	7.16	.313	7.95	.3125-32 UNEF-2A
7	.575	14.61	.390	9.91	.351	8.92	.383	9.73	.4375-28 UNEF-2A
8	.614	15.60	.442	11.23	.398	10.11	.429	10.90	.5000-28 UNEF-2A
9	.670	17.02	.500	12.70	.454	11.53	.486	12.34	.5625-24 UNEF-2A
10	.745	18.92	.564	14.33	.529	13.44	.563	14.30	.6250-24 UNEF-2A
12	.865	21.97	.650	16.51	.646	16.41	.676	17.17	.6875-24 UNEF-2A
14	.985	25.02	.805	20.45	.768	19.51	.800	20.32	.9375-20 UNEF-2A

SERIES 804 PLUG KEY POSITIONS

	A°	B°
A	150°	210°
B	75°	210°
C	95°	230°
D	140°	275°

Dimensions in inches (millimeters) and are subject to change without notice.

Series 804 Push-Pull Mighty Mouse Crimp Receptacles

804-003 and 804-004



In-Line
804-003-01



**Rear Panel Jam
Nut Mount**
804-003-07

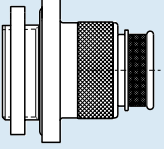
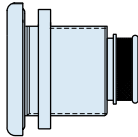
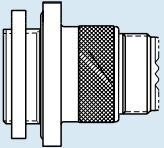
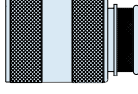
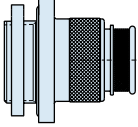


**Front Panel Jam
Nut Mount**
804-003-00

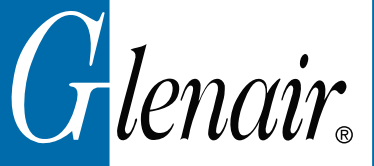
Integral Band Platform for direct attachment of a cable shield. Install a boot, or overmold directly onto the band platform. Or, choose an accessory thread for attaching strain reliefs and backshells.

Three Shell Styles
Jam nut with O-ring for front or rear panel mounting, or in-line receptacles for free-hanging cables.

Watertight, Shielded
O-ring inside the receptacle provides a dynamic seal when mated. Gold-plated spring provides secure mechanical retention and low shell-to-shell resistance for excellent EMI shielding.

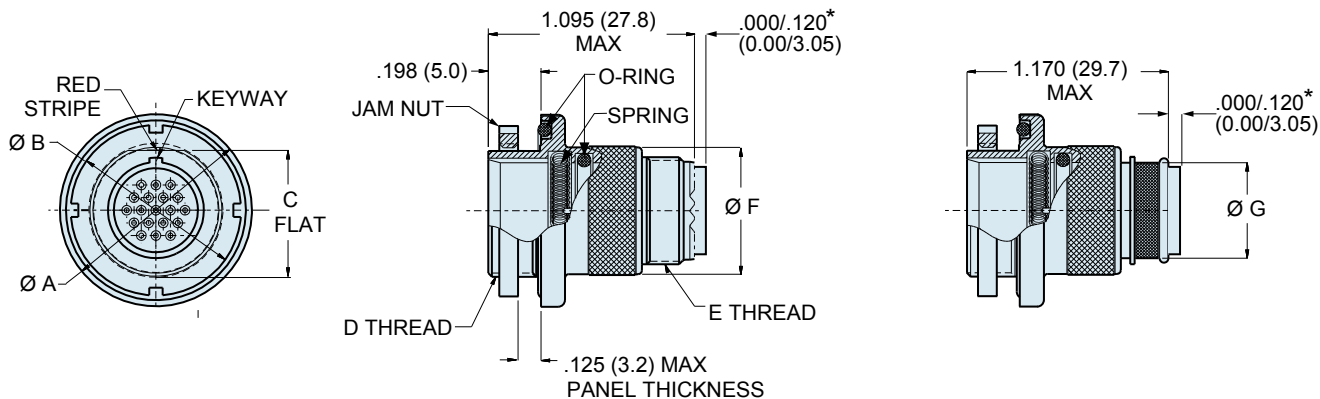
HOW TO ORDER					
Sample Part Number					
804-003	-01	M	7-10	P	
Series	Shell Style	Shell Material / Finish	Shell Size- Insert Arrangement	Contact Type	Shell Key Position
 804-003 Receptacle with Banding Platform	 -00 Jam Nut for Front Panel Mounting	C Aluminum / Black Anodize (Non-Conductive) RoHS Compliant M Aluminum / Electroless Nickel RoHS Compliant NF Aluminum / Cadmium with Olive Drab Chromate ZN Aluminum / Zinc-Nickel with Olive Drab Chromate ZNU Aluminum / Zinc-Nickel with Black Chromate MT Aluminum / Nickel-PTFE RoHS Compliant Z1 Stainless Steel / Passivated RoHS Compliant	SEE CONTACT ARRANGEMENTS PAGE G-2	Connector supplied with contacts P Pin S Socket Connector supplied without contacts A Pin Connector, less contacts B Socket Connector, less contacts Connectors with contacts are supplied with signal and/or power crimp contacts. These contacts are not installed. Coaxial contacts and non-standard signal contacts are ordered separately.	Omit for Single Master Key A Pos. A (Normal) B Pos. B C Pos. C D Pos. D
 804-004 Receptacle with Accessory Thread	 -01 In-Line for Free-Hanging Cable  -07 Jam Nut for Rear Panel Mounting				

Dimensions in inches (millimeters) and are subject to change without notice.



Series 804 Push-Pull Mighty Mouse Jam Nut Rear Panel Receptacle Dimensions

804-004-07 and 804-003-07



*Grommet protrudes for power/combo arrangements

Accessory Thread
804-004-07

Integral Band Platform
804-003-07

DIMENSIONS

Shell Size	Ø A		Ø B		C Flat		D Threads	E Threads	Ø F		Ø G	
	In.	mm.	In.	mm.	In.	mm.			In.	mm.	In.	mm.
5	.790	20.07	.562	14.27	.415	10.54	.4375-32 UN-2A	.2500-32 UNEF-2A	.450	11.43	.246	6.25
6	.830	21.08	.625	15.87	.467	14.40	.5000-32 UN-2A	.3125-32 UNEF-2A	.520	13.21	.286	7.26
7	.910	23.11	.750	19.05	.594	15.09	.6250-28 UN-2A	.4375-28 UNEF-2A	.580	14.73	.390	9.91
8	.955	24.26	.750	19.05	.594	15.09	.6250-28 UN-2A	.5000-28 UNEF-2A	.603	15.32	.442	11.23
9	1.000	25.40	.812	20.62	.655	16.64	.6875-28 UN-2A	.5625-24 UNEF-2A	.695	17.65	.500	12.70
10	1.085	27.48	.875	22.22	.721	18.31	.7500-28 UN-2A	.6250-24 UNEF-2A	.735	18.67	.564	14.33
12	1.180	29.97	1.000	25.40	.843	21.41	.8750-28 UN-2A	.6875-24 UNEF-2A	.880	22.35	.650	16.51
14	1.325	33.66	1.125	28.57	.968	24.59	1.0000-28 UN-2A	.9375-20 UNEF-2A	1.010	25.65	.805	20.45

ALTERNATE KEY POSITIONS

Pos.	A°	B°
A	150°	210°
B	75°	210°
C	95°	230°
D	140°	275°
E	75°	275°
F	95°	210°

JAM NUT PANEL CUTOUT

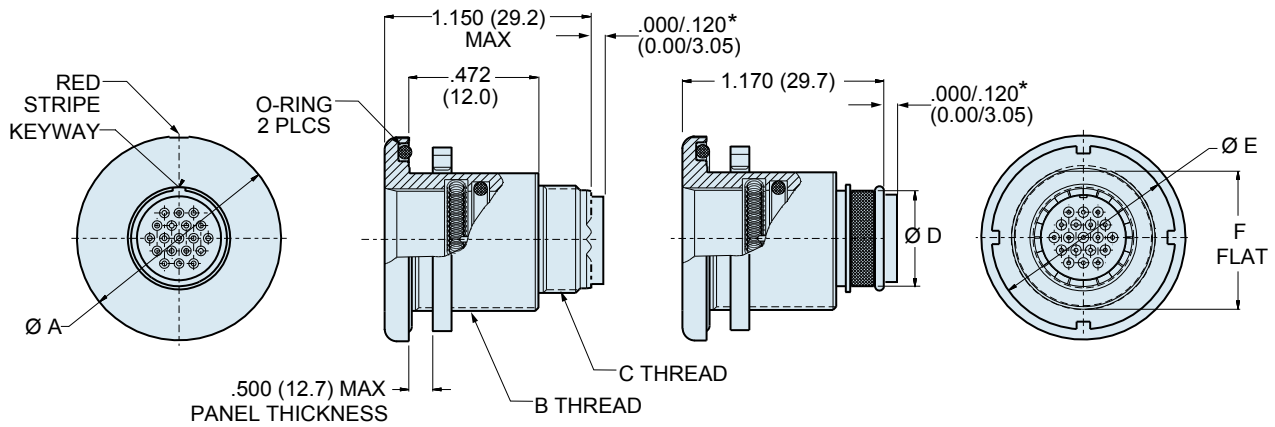
Shell Size	A Flat		Ø B	
	In. ± .002	mm. ± 0.05	In. ± .005	mm. ± 0.13
5	.423	10.74	.448	11.38
6	.475	12.07	.510	12.95
7	.588	14.94	.635	16.13
8	.602	15.29	.635	16.13
9	.663	16.84	.698	17.73
10	.729	18.82	.760	19.30
12	.851	21.62	.885	22.48
14	.976	24.79	1.010	25.65

Dimensions in inches (millimeters) and are subject to change without notice.

Series 804 Push-Pull Mighty Mouse Jam Nut Front Panel Receptacle Dimensions 804-004-00 and 804-003-00



Series 804



*Grommet protrudes for power/combo arrangements

Accessory Thread
804-004-00

Integral Band Platform
804-003-00

DIMENSIONS										
Shell Size	Ø A		B Threads	C Threads	Ø D		Ø E		F Flat	
	In.	mm.			In.	mm.	In.	mm.	In.	mm.
5	.830	21.08	.5000-32 UN-2A	.2500-32 UNEF-2A	.246	6.25	.625	15.87	.470	11.94
6	.885	22.48	.5625-32 UN-2A	.3125-32 UNEF-2A	.286	7.26	.688	17.47	.530	13.46
7	.995	25.27	.6875-28 UN-2A	.4375-28 UNEF-2A	.390	9.91	.812	20.62	.663	16.84
8	.995	25.27	.6875-28 UN-2A	.5000-28 UNEF-2A	.442	11.23	.812	20.62	.663	16.84
9	1.075	27.31	.7500-28 UN-2A	.5625-24 UNEF-2A	.500	12.70	.875	22.22	.720	18.29
10	1.140	28.95	.8125-28 UN-2A	.6250-24 UNEF-2A	.564	14.33	.938	23.82	.788	20.02
12	1.340	34.04	1.0000-28 UN-2A	.6875-24 UNEF-2A	.650	16.51	1.125	28.57	.970	24.64
14	1.390	35.31	1.0625-20 UN-2A	.9375-20 UNEF-2A	.805	20.45	1.188	30.18	1.020	25.91

ALTERNATE KEY POSITIONS

Pos.	A°	B°
A	150°	210°
B	75°	210°
C	95°	230°
D	140°	275°

JAM NUT PANEL CUTOUT

Shell Size	A Flat		Ø B	
	In. ± .002	mm. ± 0.05	In. ± .005	mm. ± 0.13
5	.482/.478	12.24/12.14	.510	12.95
6	.542/.538	13.77/13.67	.575	14.61
7	.676/.671	17.17/17.04	.698	17.73
8	.676/.671	17.17/17.04	.698	17.73
9	.732/.728	18.59/18.49	.760	19.30
10	.801/.796	20.35/20.22	.822	20.88
11	.855/.851	21.72/21.62	.885	22.48
12	.982/.978	24.94/24.84	1.010	25.65
14	1.032/1.028	26.21/26.11	1.075	27.31

Dimensions in inches (millimeters) and are subject to change without notice.

© 2010 Glenair, Inc.

CAGE Code 06324

Printed in U.S.A.

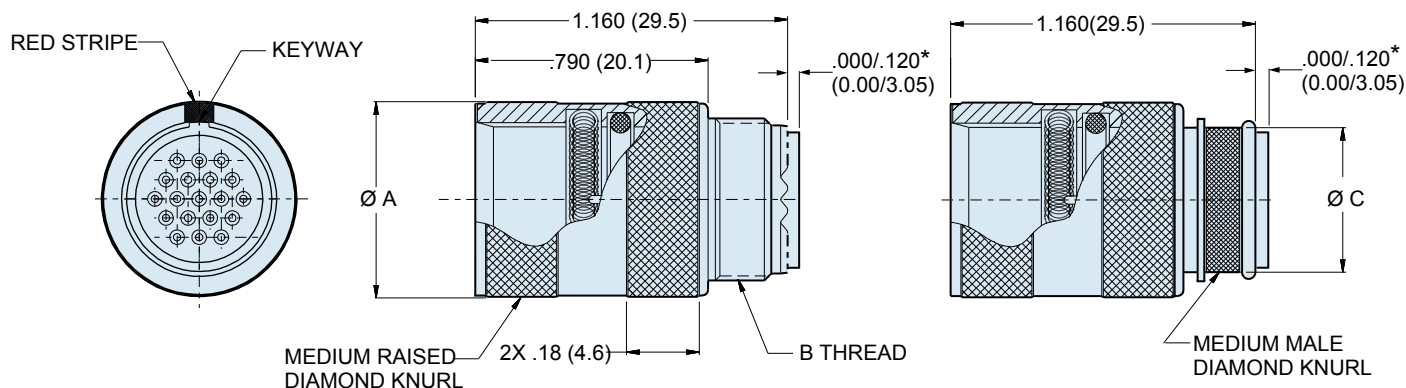
GLENAIR, INC. • 1211 AIR WAY • GLENDALE, CA 91201-2497 • 818-247-6000 • FAX 818-500-9912

www.glenair.com

G-9

E-Mail: sales@glenair.com

Rev. 6-DECEMBER-2012



*Grommet protrudes for power/combo arrangements

Accessory Thread
804-004-01

Integral Band Platform
804-003-01

DIMENSIONS					
Shell Size	Ø A		B Threads	Ø C	
	In.	mm.		In.	mm.
5	.450	11.43	.2500-32 UNEF-2A	.246	6.25
6	.520	13.21	.3125-32 UNEF-2A	.286	7.26
7	.580	14.73	.4375-28 UNEF-2A	.390	9.91
8	.603	15.32	.5000-28 UNEF-2A	.442	11.23
9	.695	17.65	.5625-24 UNEF-2A	.500	12.70
10	.735	18.67	.6250-24 UNEF-2A	.564	14.33
12	.880	22.35	.6875-24 UNEF-2A	.650	16.51
14	1.010	25.65	.9375-20 UNEF-2A	.805	20.45

ALTERNATE KEY POSITIONS			
Pos.	A°	B°	
A	150°	210°	
B	75°	210°	
C	95°	230°	
D	140°	275°	

Dimensions in inches (millimeters) and are subject to change without notice.

**Series 804 Push-Pull Mighty Mouse
PCB or Solder Cup Receptacle Ordering Information**
804-005, 804-020



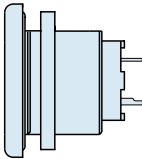
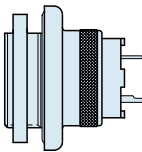
**Series 804 Printed
Circuit Board Receptacle**

Panel Mount Receptacles feature factory-installed non-removable contacts. Choose solder cup or printed circuit board terminals. Available in front or rear panel mount versions.

Water Immersion, Unmated

Specify **8040-005** connectors for applications where open face water immersion is not a requirement. For MIL-STD-810 Method 512G immersion requirements, specify **804-020** watertight connectors. These 804-020 connectors are specially sealed ("MOD-518") and are 100% tested to maintain a helium leak rate of 1×10^{-4} cc/second at one atmosphere pressure differential from -40C to +70C.

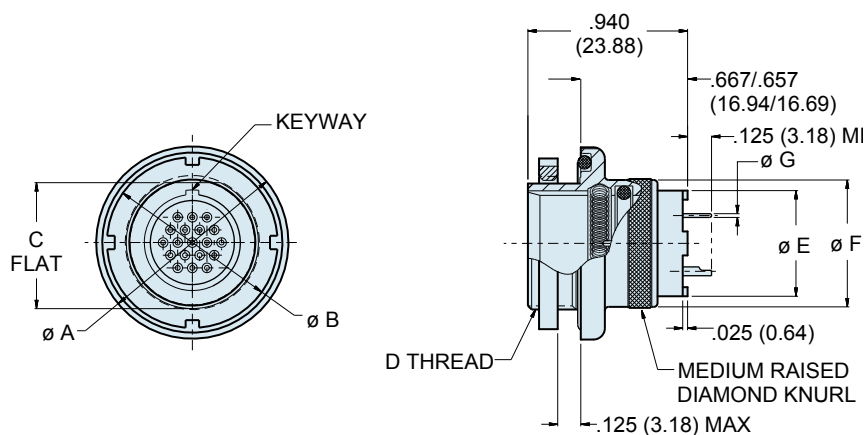
HOW TO ORDER SERIES 804 PRINTED CIRCUIT BOARD RECEPTACLES

Sample Part Number					
804-005	-07	NF	9-4	E	
Series	Shell Style	Shell Material / Finish	Shell Size- Insert Arrangement	Contact Type	Shell Key Position
<p>804-005 Receptacle for Solder Cup or PCB Termination, With Standard Epoxy Potting</p> <p>804-020 Receptacle for Solder Cup or PCB Termination, With Special "MOD-518" Sealing For Open Face (unmated) Water Immersion Requirements. 100% Leak Tested.</p>	 <p align="center">- 00 Jam Nut, Front Panel</p>  <p align="center">- 07 Jam Nut, Rear Panel</p>	<p align="center">C Aluminum / Black Anodize (Non-Conductive) RoHS Compliant</p> <p align="center">M Aluminum / Electroless Nickel RoHS Compliant</p> <p align="center">NF Aluminum / Cadmium with Olive Drab Chromate</p> <p align="center">ZN Aluminum / Zinc-Nickel with Olive Drab Chromate</p> <p align="center">ZNU Aluminum / Zinc-Nickel with Black Chromate</p> <p align="center">MT Aluminum / Nickel-PTFE RoHS Compliant</p> <p align="center">Z1 Stainless Steel / Passivated RoHS Compliant</p>	<p>SEE CONTACT ARRANGEMENTS PAGE G-2</p>	<p align="center">P Pin, PC Tail</p> <p align="center">S Socket, PC Tail</p> <p align="center">E Pin, Solder Cup</p> <p align="center">F Socket, Solder Cup</p>	<p align="center">Omit for Single Master Key</p> <p align="center">A Pos. A (Normal)</p> <p align="center">B Pos. B</p> <p align="center">C Pos. C</p> <p align="center">D Pos. D</p>

Dimensions in inches (millimeters) and are subject to change without notice.

Series 804 Push-Pull Mighty Mouse Rear Panel Jam Nut Receptacle Dimensions

804-005-07, 804-020-007



Rear Panel Jam Nut
804-005-07

DIMENSIONS

Shell Size	Ø A		Ø B		C Flat		D Threads	Ø E		Ø F		Ø G Tail Dia.
	In.	mm.	In.	mm.	In.	mm.		In.	mm.	In.	mm.	
5	.730	18.54	.562	14.27	.415	10.54	.4375-32 UN-2A	.275	6.98	.435	11.05	#23 .018/.022 (0.46/0.56)
6	.730	18.54	.625	15.87	.467	14.40	.5000-32 UN-2A	.330	8.38	.483	12.27	
7	.910	23.11	.750	19.05	.594	15.09	.6250-28 UN-2A	.432	10.97	.570	14.48	#20 .024/.028 (0.61/0.71)
8	.955	24.26	.750	19.05	.594	15.09	.6250-28 UN-2A	.493	12.52	.593	15.06	
9	1.000	25.40	.812	20.62	.655	16.64	.6875-28 UN-2A	.551	14.00	.685	17.40	#16 .060/.064 (1.52/1.63)
10	1.085	27.48	.875	22.22	.721	18.31	.7500-28 UN-2A	.620	15.75	.725	18.42	
12	1.190	30.23	1.000	25.40	.843	21.41	.8750-28 UN-2A	.703	17.86	.850	21.59	#12 .092/.096 (2.34/2.44)
14	1.325	33.66	1.125	28.57	.968	24.59	1.0000-28 UN-2A	.863	21.92	.973	24.71	

ALTERNATE KEY POSITIONS

	Pos.	A°	B°
	A	150°	210°
	B	75°	210°
	C	95°	230°
	D	140°	275°
	E	75°	275°
	F	95°	210°

JAM NUT PANEL CUTOUT

Shell Size	A Flat		Ø B	
	In. ± .002	mm. ± 0.05	In. ± .005	mm. ± 0.13
5	.423	10.74	.448	11.38
6	.475	12.07	.510	12.95
7	.588	14.94	.635	16.13
8	.602	15.29	.635	16.13
9	.663	16.84	.698	17.73
10	.729	18.82	.760	19.30
12	.851	21.62	.885	22.48
14	.976	24.79	1.010	25.65

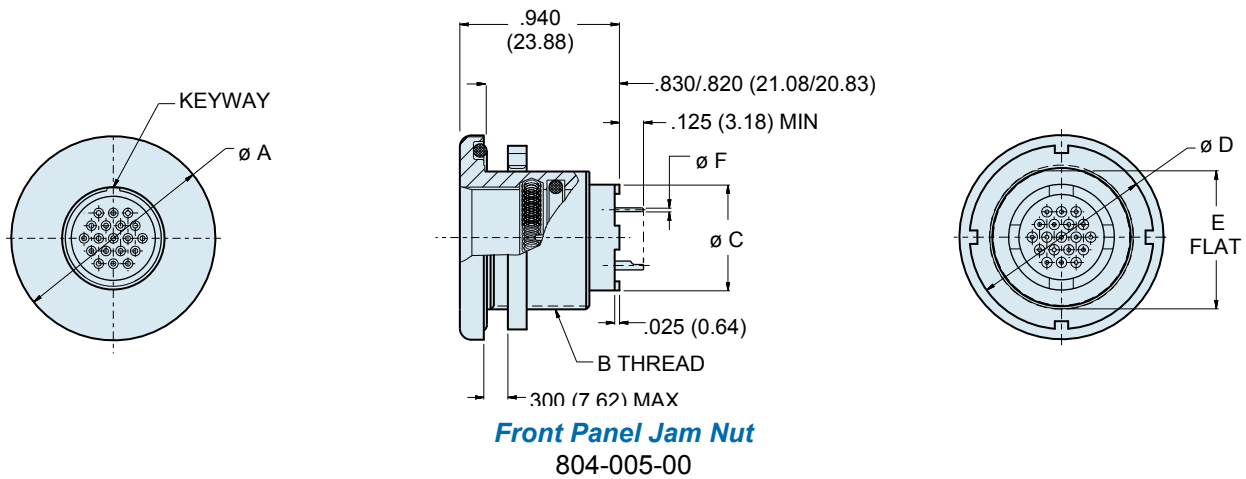
Dimensions in inches (millimeters) and are subject to change without notice.

Series 804 Push-Pull Mighty Mouse Front Panel Jam Nut Receptacle Dimensions

804-005-00, 804-020-00



Series 804



DIMENSIONS										
Shell Size	Ø A		B Threads	Ø C		Ø D		E Flat		Ø F Tail Dia.
	In.	mm.		In.	mm.	In.	mm.	In.	mm.	
5	.830	21.08	.5000-32 UN-2A	.275	6.98	.625	15.87	.470	11.94	#23 .018/.022 (0.46/0.56)
6	.885	22.48	.5625-28 UN-2A	.330	8.38	.688	17.47	.530	13.46	
7	.995	25.27	.6875-28 UN-2A	.432	10.97	.812	20.62	.663	16.84	#20 .024/.028 (0.61/0.71)
8	.995	25.27	.6875-28 UN-2A	.493	12.52	.812	20.62	.663	16.84	
9	1.075	27.31	.7500-28 UN-2A	.551	14.00	.875	22.22	.720	18.29	#16 .060/.064 (1.52/1.63)
10	1.140	28.95	.8125-28 UN-2A	.620	15.75	.938	23.82	.788	20.02	
12	1.340	34.04	1.0000-28 UN-2A	.703	17.86	1.125	28.57	.970	24.64	#12 .092/.096 (2.34/2.44)
14	1.390	35.31	1.0625-20 UN-2A	.863	21.92	1.188	30.18	1.020	25.91	

ALTERNATE KEY POSITIONS

Pos.	A°	B°
A	150°	210°
B	75°	210°
C	95°	230°
D	140°	275°
E	75°	275°
F	95°	210°

JAM NUT PANEL CUTOUT

Shell Size	A Flat		Ø B	
	In. ± .002	mm. ± 0.05	In. ± .005	mm. ± 0.13
5	.423	10.74	.448	11.38
6	.475	12.07	.510	12.95
7	.588	14.94	.635	16.13
8	.602	15.29	.635	16.13
9	.663	16.84	.698	17.73
10	.729	18.82	.760	19.30
12	.851	21.62	.885	22.48
14	.976	24.79	1.010	25.65

Dimensions in inches (millimeters) and are subject to change without notice.

Series 804 Push-Pull Mighty Mouse Panel Mount Plug Ordering Information

804-009, 804-020



**Series 804 Panel Mount Plug
(Style 07 shown)**

Panel Mount Plugs save space inside the box compared to Series 804 receptacles. Factory-installed non-removable contacts. Solder cup or printed circuit board terminals. Available in front or rear panel mount versions.

Ingress Protection, Unmated

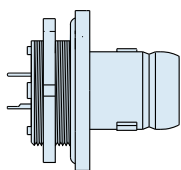
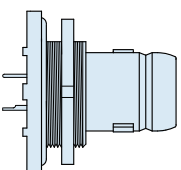
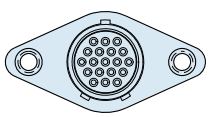
Specify **804-009** connectors for applications where open face water immersion is not a requirement. For IP67 ingress protection and MIL-STD-810 Method 512 immersion requirements, specify **804-021** watertight connectors certified to meet one atmosphere pressure differential in open face condition from -40° to +70°C.

"Push-Pull" Quick-Disconnect

Canted spring securely retains the mating plug.

HOW TO ORDER SERIES 804 PANEL MOUNT PLUGS

Sample Part Number

804-009	-07	NF	10-26	E	
Series	Shell Style	Shell Material / Finish	Shell Size- Insert Arrangement	Contact Type	Shell Key Position
804-009 Panel Mount Plug, Solder Cup or PCB Termination, With Standard Epoxy Potting	 - 00 Jam Nut, Front Panel	C Aluminum / Black Anodize (Non-Conductive) RoHS Compliant M Aluminum / Electroless Nickel RoHS Compliant	SEE CONTACT ARRANGEMENTS PAGE G-2	P Pin, PC Tail S Socket, PC Tail	Omit for Single Master Key A Pos. A (Normal)
804-021 Panel Mount Plug, Solder Cup or PCB Termination, With Resilient Silicone Potting For Watertight Seal from -40° to +70°C (15 PSI Pressure Differential)	 - 07 Jam Nut, Rear Panel  - 02 Flange Mount, Rear Panel	NF Aluminum / Cadmium with Olive Drab Chromate ZN Aluminum / Zinc-Nickel with Olive Drab Chromate ZNU Aluminum / Zinc-Nickel with Black Chromate MT Aluminum / Nickel-PTFE RoHS Compliant Z1 Stainless Steel / Passivated RoHS Compliant		E Pin, Solder Cup F Socket, Solder Cup	B Pos. B C Pos. C D Pos. D

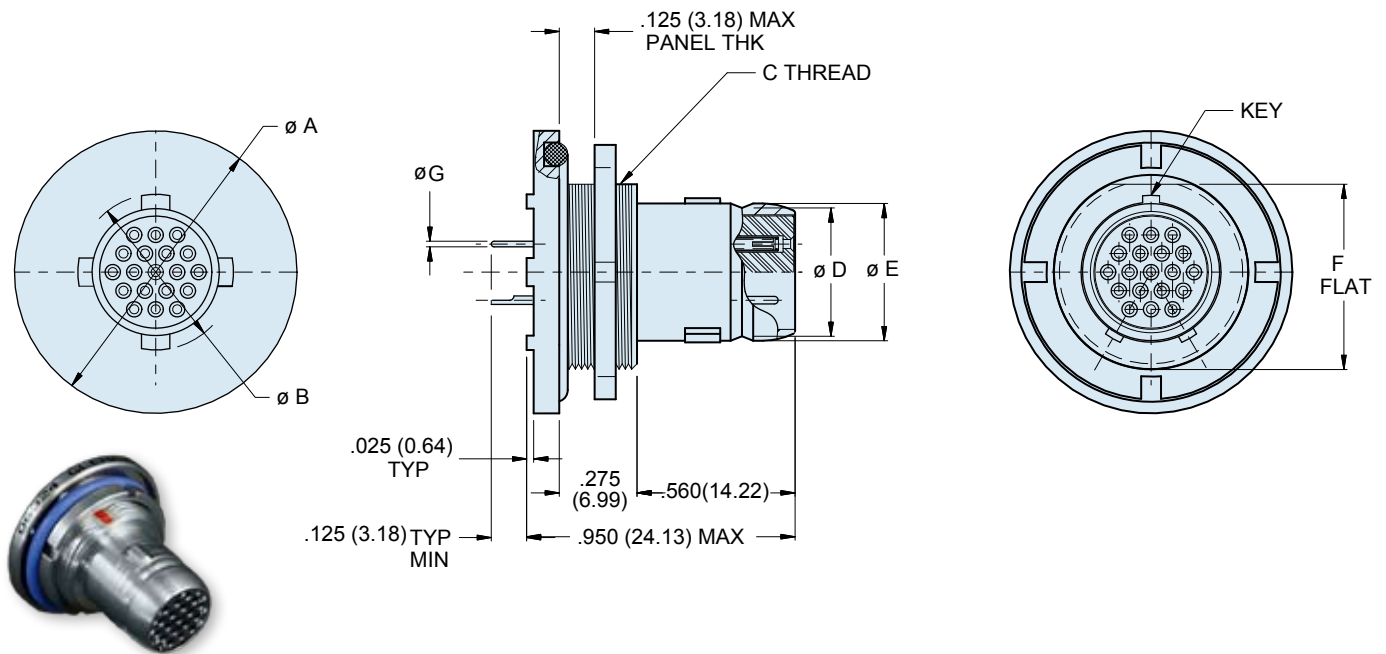
Dimensions in inches (millimeters) and are subject to change without notice.

Series 804 Push-Pull Mighty Mouse Jam Nut Panel Mount Plug Dimensions

804-009-07, 804-021-07



Series 804

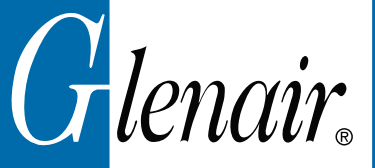


DIMENSIONS												
Shell Size	Ø A		Ø B		C Threads	Ø D		Ø E		F Flat		Ø G Tail Dia.
	In.	mm.	In.	mm.		In.	mm.	In.	mm.	In.	mm.	
5	.790	20.07	.244	6.20	.4375-32 UN-2A	.219	5.56	.250	6.35	.415	10.54	#23 .018/.022 (0.46/0.56)
6	.830	21.08	.330	8.38	.5000-32 UN-2A	.282	7.16	.313	7.95	.467	11.86	
7	.910	23.11	.432	10.97	.6250-28 UN-2A	.351	8.92	.383	9.73	.594	15.09	#20 .024/.028 (0.61/0.71)
8	.955	24.26	.493	12.52	.6250-28 UN-2A	.398	10.11	.429	10.90	.594	15.09	
9	1.000	25.40	.551	14.00	.6875-28 UN-2A	.454	11.53	.486	12.34	.655	16.64	#16 .060/.064 (1.52/1.63)
10	1.085	27.56	.620	15.75	.7500-28 UN-2A	.529	13.44	.563	14.30	.721	18.31	
12	1.180	29.97	.703	17.86	.8750-28 UN-2A	.646	16.41	.676	17.17	.843	21.41	#12 .092/.096 (2.34/2.44)
14	1.325	33.66	.863	21.92	1.0000-28 UN-2A	.768	19.51	.800	20.32	.968	24.59	

JAM NUT PANEL CUTOUT				
Shell Size	A Flat		Ø B	
	In.	mm.	In.	mm.
	± .002	± 0.05	± .005	± 0.13
5	.423	10.74	.448	11.38
6	.475	12.07	.510	12.95
7	.588	14.94	.635	16.13
8	.602	15.29	.635	16.13
9	.663	16.84	.698	17.73
10	.729	18.82	.760	19.30
12	.851	21.62	.885	22.48
14	.976	24.79	1.010	25.65

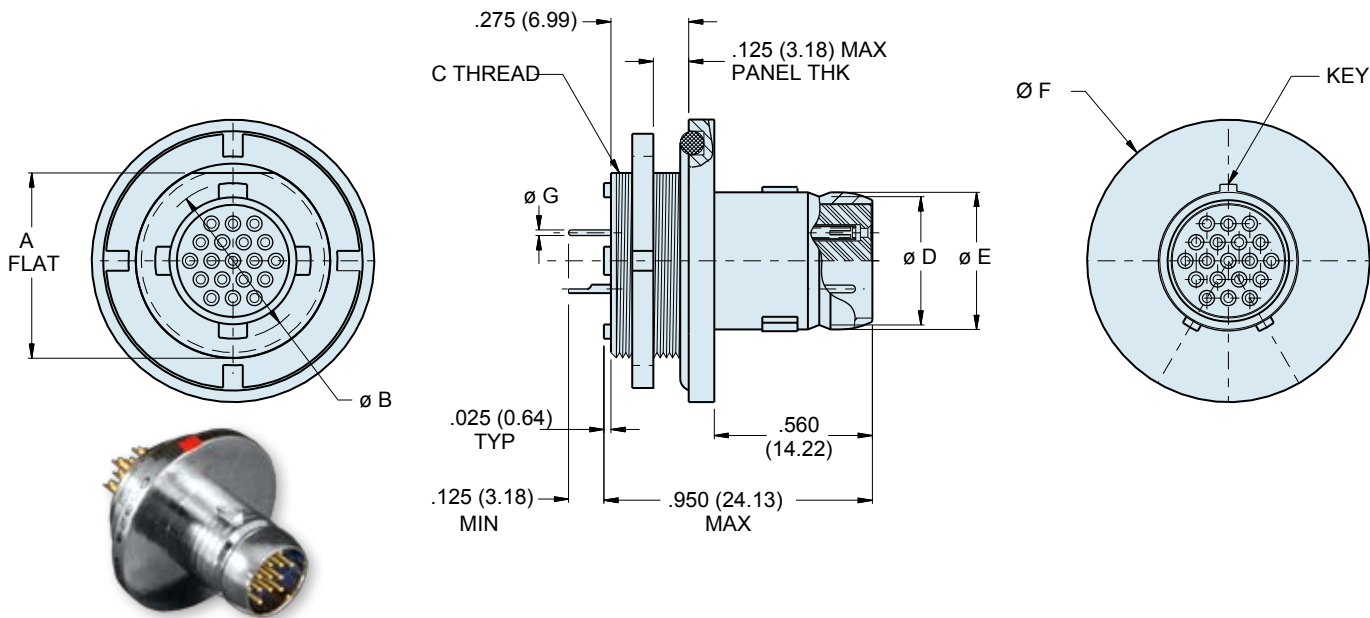
SERIES 804 PLUG KEY POSITIONS			
	A°	B°	
A	150°	210°	
B	75°	210°	
C	95°	230°	
D	140°	275°	

Dimensions in inches (millimeters) and are subject to change without notice.



Series 804 Push-Pull Mighty Mouse Jam Nut Front Panel Mount Plug Dimensions

804-009-00, 804-021-00



DIMENSIONS												
Shell Size	A Flat		Ø B		C Threads	Ø D		Ø E		Ø F		Ø G Tail Dia.
	In.	mm.	In.	mm.		In.	mm.	In.	mm.	In.	mm.	
5	.415	10.54	.244	6.20	.4375-32 UN-2A	.219	5.56	.250	6.35	.790	20.07	#23 .018/.022 (0.46/0.56)
6	.467	11.86	.330	8.38	.5000-32 UN-2A	.282	7.16	.313	7.95	.830	21.08	
7	.594	15.09	.432	10.97	.6250-28 UN-2A	.351	8.92	.383	9.73	.910	23.11	#20 .024/.028 (0.61/0.71)
8	.594	15.09	.493	12.52	.6250-28 UN-2A	.398	10.11	.429	10.90	.955	24.26	
9	.655	16.64	.551	14.00	.6875-28 UN-2A	.454	11.53	.486	12.34	1.000	25.40	#16 .060/.064 (1.52/1.63)
10	.721	18.31	.620	15.75	.7500-28 UN-2A	.529	13.44	.563	14.30	1.085	27.56	
12	.843	21.41	.703	17.86	.8750-28 UN-2A	.646	16.41	.676	17.17	1.180	29.97	#12 .092/.096 (2.34/2.44)
14	.968	24.59	.863	21.92	1.0000-28 UN-2A	.768	19.51	.800	20.32	1.325	33.66	

G

JAM NUT PANEL CUTOUT					
Shell Size	A Flat		Ø B		Shell Size
	In.	mm.	In.	mm.	
5	.423	10.74	.448	11.38	5
6	.475	12.07	.510	12.95	6
7	.588	14.94	.635	16.13	7
8	.602	15.29	.635	16.13	8
9	.663	16.84	.698	17.73	9
10	.729	18.82	.760	19.30	10
12	.851	21.62	.885	22.48	12
14	.976	24.79	1.010	25.65	14

SERIES 804 PLUG KEY POSITIONS			
	A°	B°	
A	150°	210°	
B	75°	210°	
C	95°	230°	
D	140°	275°	
E	75°	275°	
F	95°	210°	

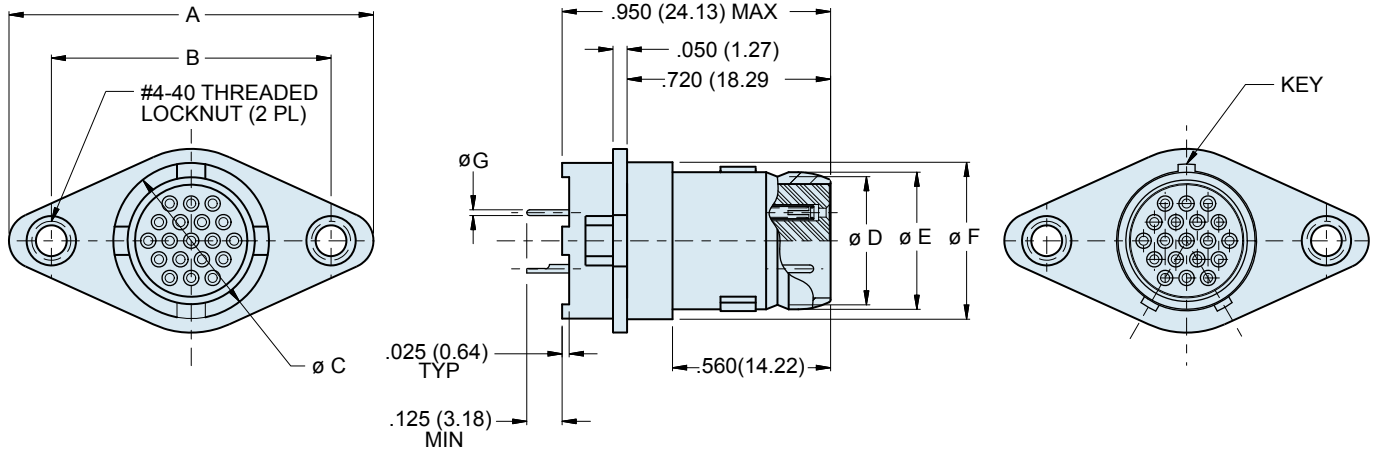
Dimensions in inches (millimeters) and are subject to change without notice.

Series 804 Push-Pull Mighty Mouse Flanged Panel Mount Plug Dimensions

804-009-02, 804-021-02



Series 804



DIMENSIONS

Shell Size	A		B		Ø C		Ø D		Ø E		Ø F		Ø G Tail Dia.
			In.	mm.									
	In.	mm.	±.005	±0.13	In.	mm.	In.	mm.	In.	mm.	In.	mm.	
5	1.055	26.80	.755	19.18	.244	6.20	.219	5.56	.250	6.35	.320	8.13	#23 .018/.022 (0.46/0.56)
6	1.120	28.45	.820	20.83	.330	8.38	.282	7.16	.313	7.95	.385	9.78	
7	1.185	30.10	.885	22.48	.432	10.97	.351	8.92	.383	9.73	.450	11.43	#20 .024/.028 (0.61/0.71)
8	1.230	31.24	.930	23.62	.493	12.52	.398	10.11	.429	10.90	.495	12.57	
9	1.290	32.77	.990	25.15	.551	14.00	.454	11.53	.486	12.34	.555	14.10	#16 .060/.064 (1.52/1.63)
10	1.360	34.54	1.060	26.92	.620	15.75	.529	13.44	.563	14.30	.625	15.88	
12	1.485	37.72	1.185	30.10	.703	17.86	.646	16.41	.676	17.17	.750	19.05	#12 .092/.096 (2.34/2.44)
14	1.600	40.64	1.300	33.02	.863	21.92	.768	19.51	.800	20.32	.865	21.97	

SERIES 804 PLUG KEY POSITIONS



	A°	B°
A	150°	210°
B	75°	210°
C	95°	230°
D	140°	275°

Dimensions in inches (millimeters) and are subject to change without notice.

Series 804 Push-Pull Mighty Mouse Hermetic Receptacle Ordering Information

804-006



**Series 804 Hermetic
Jam Nut Mount**

Series 804 Hermetic Receptacles feature 304L stainless steel shells, fused vitreous glass insulators and gold-plated Alloy 52 iron alloy contacts.

1×10^{-7} cc/second maximum helium leak rate when tested at 1 atmosphere vacuum.

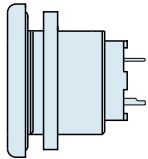
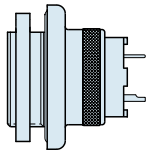
Two Shell Styles are available:
Style 00 for front panel mounting
Style 07 for rear panel mounting.

"Push-Pull" Quick-Disconnect

Canted coil spring securely retains mating plug connector and provides low shell-to-shell resistance for excellent EMI shielding. O-ring inside receptacle shell provides water-tight seal when mated.

HOW TO ORDER

Sample Part Number

804-006	-07	Z1	9-19	P	A
Series	Shell Style	Shell Material / Finish	Shell Size/Insert	Contact Type	Shell Key Position
804-006 Hermetic Receptacle with Printed Circuit Board Contacts or Solder Cup Contacts	 -00 Jam Nut, Front Panel	Z1 Stainless Steel / Passivated ZL Stainless Steel/ Nickel Plated	SEE CONTACT ARRANGEMENTS PAGE G-2	P Pin, Solder Cup C Pin, PC Tail S Socket, Solder Cup D Socket, PC Tail	Omit for Single Master Key A Pos. A (Normal) B Pos. B C Pos. C D Pos. D
	 -07 Jam Nut, Rear Panel				

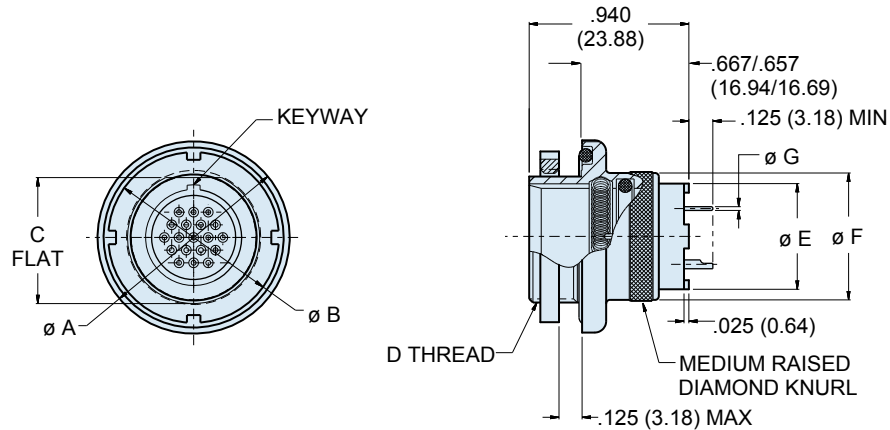
Dimensions in inches (millimeters) and are subject to change without notice.

Series 804 Push-Pull Mighty Mouse Rear Panel Jam Nut Hermetic Receptacle Dimensions

804-006-07



Series 804



Rear Panel Jam Nut
804-006-07

DIMENSIONS												
Shell Size	Ø A		Ø B		C Flat		D Threads	Ø E		Ø F		Ø G Tail Dia.
	In.	mm.	In.	mm.	In.	mm.		In.	mm.	In.	mm.	
5	.790	20.07	.562	14.27	.415	10.54	.4375-32 UN-2A	.244	6.20	.450	11.43	#23 .018/.022 (0.46/0.56)
6	.830	21.08	.625	15.87	.467	14.40	.5000-32 UN-2A	.330	8.38	.520	13.21	
7	.910	23.11	.750	19.05	.594	15.09	.6250-28 UN-2A	.432	10.97	.580	14.73	#20 .024/.028 (0.61/0.71)
8	.955	24.26	.750	19.05	.594	15.09	.6250-28 UN-2A	.493	12.52	.603	15.32	
9	1.000	25.40	.812	20.62	.655	16.64	.6875-28 UN-2A	.551	14.00	.695	17.65	#16 .060/.064 (1.52/1.63)
10	1.085	27.48	.875	22.22	.721	18.31	.7500-28 UN-2A	.620	15.75	.735	18.67	
12	1.180	29.97	1.000	25.40	.843	21.41	.8750-28 UN-2A	.703	17.86	.880	22.35	#12 .092/.096 (2.34/2.44)
14	1.325	33.66	1.125	28.57	.968	24.59	1.0000-28 UN-2A	.863	21.92	1.010	25.65	

ALTERNATE KEY POSITIONS

Pos.	A°	B°
A	150°	210°
B	75°	210°
C	95°	230°
D	140°	275°

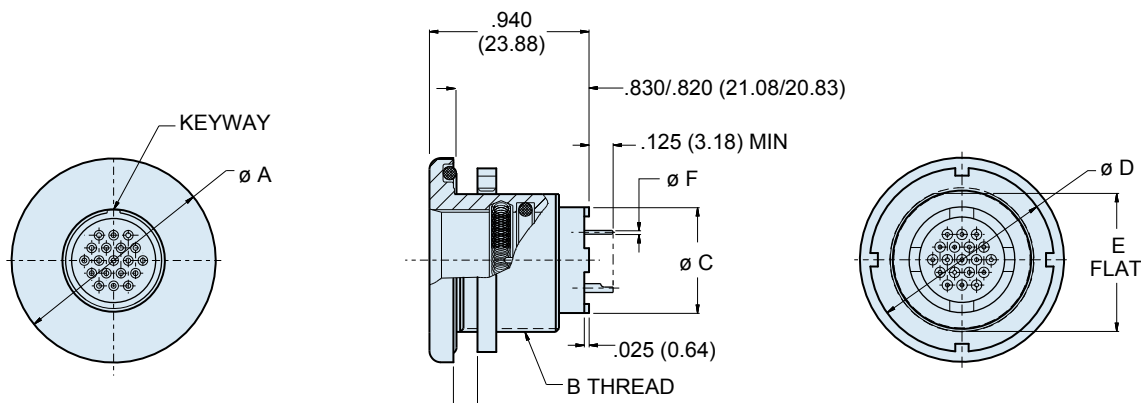
JAM NUT PANEL CUTOUT

Shell Size	A Flat		Ø B	
	In. ± .002	mm. ± 0.05	In. ± .005	mm. ± 0.13
5	.423	10.74	.448	11.38
6	.475	12.07	.510	12.95
7	.588	14.94	.635	16.13
8	.602	15.29	.635	16.13
9	.663	16.84	.698	17.73
10	.729	18.82	.760	19.30
12	.851	21.62	.885	22.48
14	.976	24.79	1.010	25.65

Dimensions in inches (millimeters) and are subject to change without notice.



**Series 804 Push-Pull Mighty Mouse
Front Panel Jam Nut Hermetic Receptacle Dimensions
804-006-00**



Front Panel Jam Nut
804-006-00

DIMENSIONS										
Shell Size	Ø A		B Threads	Ø C		Ø D		E Flat		Ø F Tail Dia.
	In.	mm.		In.	mm.	In.	mm.	In.	mm.	
5	.830	21.08	.5000-32 UN-2A	.244	6.20	.625	15.87	.470	11.94	#23 .018/.022 (0.46/0.56)
6	.885	22.48	.6250-28 UN-2A	.330	8.38	.688	17.47	.530	13.46	
7	.995	25.27	.6875-28 UN-2A	.432	10.97	.812	20.62	.663	16.84	#20 .024/.028 (0.61/0.71)
8	.995	25.27	.6875-28 UN-2A	.493	12.52	.812	20.62	.663	16.84	
9	1.075	27.31	.7500-28 UN-2A	.551	14.00	.875	22.22	.720	18.29	#16 .060/.064 (1.52/1.63)
10	1.140	28.95	.8125-28 UN-2A	.620	15.75	.938	23.82	.788	20.02	
12	1.340	34.04	1.0000-28 UN-2A	.703	17.86	1.125	28.57	.970	24.64	#12 .092/.096 (2.34/2.44)
14	1.390	35.31	1.0625-20 UN-2A	.863	21.92	1.188	30.18	1.020	25.91	

G

ALTERNATE KEY POSITIONS			
Pos.	A°	B°	
A	150°	210°	
B	75°	210°	
C	95°	230°	
D	140°	275°	

JAM NUT PANEL CUTOUT				
Shell Size	A Flat		Ø B	
	In. ± .002	mm. ± 0.05	In. ± .005	mm. ± 0.13
5	.423	10.74	.448	11.38
6	.475	12.07	.510	12.95
7	.588	14.94	.635	16.13
8	.602	15.29	.635	16.13
9	.663	16.84	.698	17.73
10	.729	18.82	.760	19.30
12	.851	21.62	.885	22.48
14	.976	24.79	1.010	25.65

Dimensions in inches (millimeters) and are subject to change without notice.

Series 804 Push-Pull Mighty Mouse Overmolded ASAP Cordset Ordering Information

804-015



Overmolded Cordset

Glenair's ASAP Mighty Mouse Overmolded Cordsets offer environmental protection and excellent cold temperature flexibility. These cables are 100% tested and ready to use. Standard overmolded cables feature low smoke zero halogen polyurethane jackets.

Tired of set-up charges and factory minimums? Glenair's Mighty Mouse ASAP cordsets have no minimum order quantity and no lot charges.

Abrasion-Resistant Polyurethane Jacket provides cold temperature flexibility and high strength. Low smoke/zero halogen material meets requirements for low toxicity.

90% Tinned Copper Braid is terminated directly to connector with stainless steel **BAND-IT®** strap.

Watertight Overmold provides strain relief and protection.

Series 804 Harsh Environment Shielded Cordsets

These overmolded cordsets withstand abrasion and chemical exposure. Low smoke zero halogen jacket reduces the amount of toxic and corrosive gasses emitted during combustion. Cable construction features silver coated stranded conductors with TFE insulation, tinned copper braid shield and extruded polyurethane jacket. Choose single-ended pigtails or double-ended "back-to-back" versions. Braid shield is attached directly to connector with **BAND-IT®** straps. Semi-rigid polyamide overmold provides strain relief and environmental sealing.

Series 801 cordsets are now available with size #20HD, #16 and #12 contacts. Ordering information is found on the following pages.

HARSH ENVIRONMENT CORDSET SPECIFICATIONS

Cable Jacket Material	Thermoplastic Polyurethane, Black, Low-Smoke, Zero-Halogen
Cable Shield	Tin-Coated Copper Braid, 90% Minimum Coverage
Conductors	Silver Coated Stranded Wire, TFE Insulated, Per M22759/11
BAND-IT® Shield Termination Band	Stainless Steel
Current Rating	#23 5 Amps, #20HD 7.5 Amps, #16 13 Amps, #12 23 Amps
Test Voltage (Dielectric Withstanding Voltage)	#23 500 VAC, #20HD 750 VAC, #16 and #12 1800 VAC Sea Level
Insulation Resistance	200 megohms minimum
Operating Temperature	-30° C. to +105° C.
Solvent Resistance, Polyamide Overmold	Excellent Resistance to Most Solvents, Fuels, and Oils; Poor Resistance to Strong Acids and Bipolar Solvents (Alcohol)
Shielding Effectiveness	50 dB minimum from 100MHz to 1000MHz.
Cable jacket Flammability and Toxicity	Toxicity Index 3.9 per NES 713 Oxygen Index 28% per ASTM D-2863 Smoke Index 24 per NES 711

Dimensions in inches (millimeters) and are subject to change without notice.

SERIES 804 CORDSETS WITH SIZE #23 CONTACTS

Sample Part Number								
804-015	-A	C	2	M	7-10	P		-72
Series	End A Connector	End B Connector	Wire Size	Shell Material / Finish	Insert Arr.	Protective Cover	Shell Key Pos.	Length
804-015 Overmolded Cordset, Shielded, with Low Smoke/Zero Halogen Polyurethane Jacket, Size #23 Contacts	- A Plug, with Male Pin Contacts	A Plug, with Male Pin Contacts	2 #22 AWG	M Aluminum / Electroless Nickel	5-3	P Metal Protective Covers Included	Omit for Single Master Key	Overall Length In Inches 12 Inch Min.
	- B Plug, with Female Socket Contacts	B Plug, with Female Socket Contacts	4 #24 AWG	NF Aluminum / Cadmium with Olive Drab Chromate	6-4 6-6 6-7 7-10	N No Covers Supplied	A Pos. A (Normal)	
	- C Receptacle, with Male Pin Contacts	C Receptacle, with Male Pin Contacts		ZNU Aluminum / Zinc-Nickel with Black Chromate	8-13 9-19 10-26 12-37 14-55		B Pos. B	
	- D Receptacle, with Female Socket Contacts	D Receptacle, with Female Socket Contacts		MT Aluminum / Nickel-PTFE			C Pos. C	
		N No Connector (Single-Ended)		Z1 Stainless Steel / Passivated			D Pos. D	

SERIES 804 CORDSETS WITH SIZE #20HD CONTACTS

Sample Part Number								
804-022	-A	C	0	M	8-28	P		-72
Series	End A Connector	End B Connector	Wire Size	Shell Material / Finish	Insert Arr.	Protective Cover	Shell Key Pos.	Length
804-022 Overmolded Cordset, Shielded, with Low Smoke/Zero Halogen Polyurethane Jacket, Size #20HD Contacts	- A Plug, with Male Pin Contacts	A Plug, with Male Pin Contacts	0 #20 AWG	M Aluminum / Electroless Nickel	6-23	P Metal Protective Covers Included	Omit for Single Master Key	Overall Length In Inches 12 Inch Min.
	- B Plug, with Female Socket Contacts	B Plug, with Female Socket Contacts	2 #22 AWG	NF Aluminum / Cadmium with Olive Drab Chromate	7-25 8-28 9-210 12-220 14-235	N No Covers Supplied	A Pos. A (Normal)	
	- C Receptacle, with Male Pin Contacts	C Receptacle, with Male Pin Contacts		ZNU Aluminum / Zinc-Nickel with Black Chromate			B Pos. B	
	- D Receptacle, with Female Socket Contacts	D Receptacle, with Female Socket Contacts		MT Aluminum / Nickel-PTFE			C Pos. C	
		N No Connector (Single-Ended)		Z1 Stainless Steel / Passivated			D Pos. D	

Dimensions in inches (millimeters) and are subject to change without notice.

**Series 804 Push-Pull Mighty Mouse
Overmolded ASAP Cordset Ordering Information**
804-018 and 804-019



Series 804

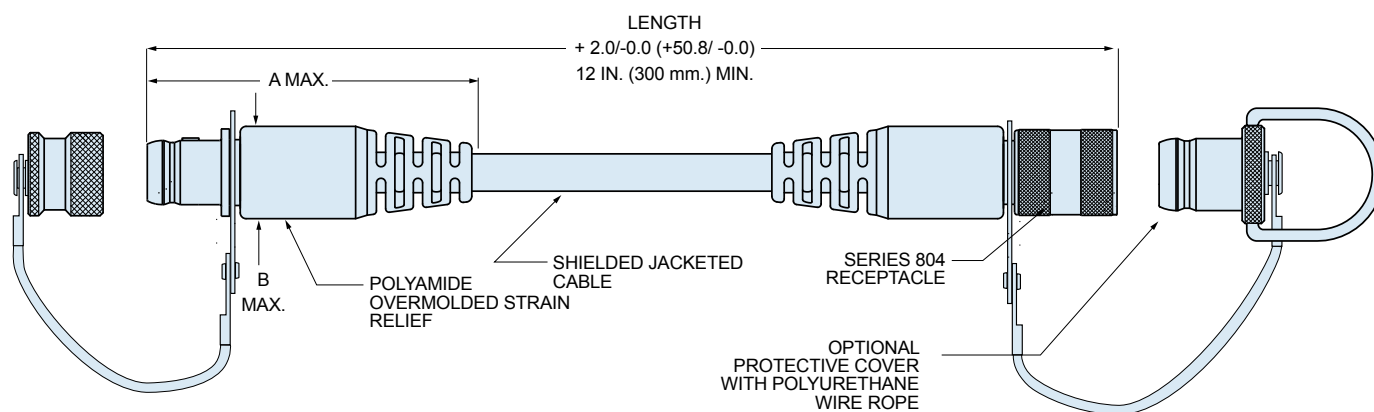
SERIES 804 CORDSETS WITH SIZE #16 CONTACTS								
Sample Part Number								
804-018	-A	C	6	M	9-4	P		-72
Series	End A Connector	End B Connector	Wire Size	Shell Material / Finish	Insert Arr.	Protective Cover	Shell Key Pos.	Length
804-018 Overmolded Cordset, Shielded, with Low Smoke/Zero Halogen Polyurethane Jacket, Size #16 Contacts	-A Plug, with Male Pin Contacts	A Plug, with Male Pin Contacts	6 #16 AWG	M Aluminum / Electroless Nickel	6-1 8-2 9-4	P Metal Protective Covers Included	Omit for Single Master Key	Overall Length In Inches 12 Inch Min.
	-B Plug, with Female Socket Contacts	B Plug, with Female Socket Contacts	8 #18 AWG	NF Aluminum / Cadmium with Olive Drab Chromate	10-5 12-7 14-12	N No Covers Supplied	A Pos. A (Normal)	
	-C Receptacle, with Male Pin Contacts	C Receptacle, with Male Pin Contacts		ZNU Aluminum / Zinc-Nickel with Black Chromate			B Pos. B	
	-D Receptacle, with Female Socket Contacts	D Receptacle, with Female Socket Contacts		MT Aluminum / Nickel-PTFE			C Pos. C	
		N No Connector (Single-Ended)		Z1 Stainless Steel / Passivated			D Pos. D	

SERIES 804 CORDSETS WITH SIZE #12 CONTACTS								
Sample Part Number								
804-019	-A	C	2	M	10-2	N		-72
Series	End A Connector	End B Connector	Wire Size	Shell Material / Finish	Insert Arr.	Protective Cover	Shell Key Pos.	Length
804-019 Overmolded Cordset, Shielded, with Low Smoke/Zero Halogen Polyurethane Jacket, Size #12 Contacts	-A Plug, with Male Pin Contacts	A Plug, with Male Pin Contacts	2 #12 AWG	M Aluminum / Electroless Nickel	7-1 10-2 12-2	P Metal Protective Covers Included	Omit for Single Master Key	Overall Length In Inches 12 Inch Min.
	-B Plug, with Female Socket Contacts	B Plug, with Female Socket Contacts	4 #14 AWG	NF Aluminum / Cadmium with Olive Drab Chromate	12-3 14-5	N No Covers Supplied	A Pos. A (Normal)	
	-C Receptacle, with Male Pin Contacts	C Receptacle, with Male Pin Contacts		ZNU Aluminum / Zinc-Nickel with Black Chromate			B Pos. B	
	-D Receptacle, with Female Socket Contacts	D Receptacle, with Female Socket Contacts		MT Aluminum / Nickel-PTFE			C Pos. C	
		N No Connector (Single-Ended)		Z1 Stainless Steel / Passivated			D Pos. D	

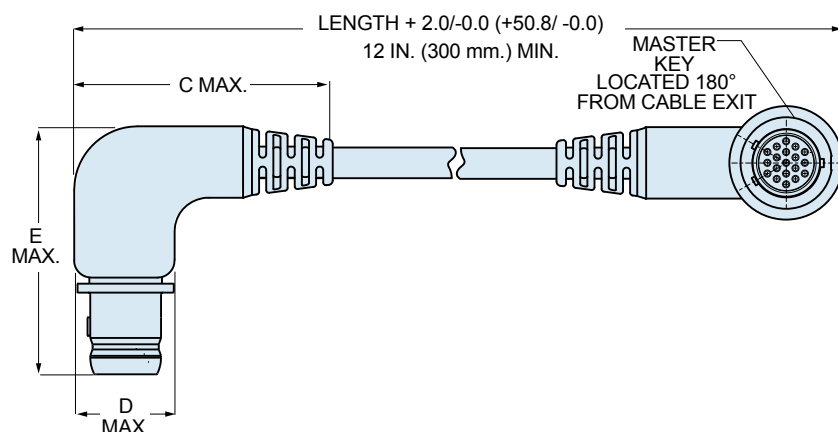
Dimensions in inches (millimeters) and are subject to change without notice.

Series 804 Push-Pull Mighty Mouse Overmolded ASAP Cordset Dimensions

804-015, 804-018, 804-019



RIGHT ANGLE CORDSETS



How To Order Right Angle Cordsets

Insert the letter "R" after the End A or End B Connector letter designator.

Example

Straight cable 804-015-AA4M6-4PN-48
Right Angle 804-015-ARAR4M6-4PN-48

DIMENSIONS

Shell Size	A Max.		B Max.		C Max.		D Max.		E Max.	
	In.	mm.	In.	mm.	In.	mm.	In.	mm.	In.	mm.
5	2.3	55.9	0.6	15.2	1.5	38.1	0.6	15.2	2.0	48.3
6	2.3	55.9	0.6	15.2	1.5	38.1	0.6	15.2	2.0	48.3
7	2.4	55.9	0.7	17.8	1.5	38.1	0.7	17.8	2.2	53.3
8	2.5	58.4	0.8	19.0	1.6	40.6	0.8	19.1	2.3	55.9
9	2.7	66.0	0.9	21.6	1.9	48.3	0.9	21.6	2.6	61.0
10	2.7	66.0	0.9	21.6	1.9	48.3	0.9	21.6	2.6	61.0
12	3.1	73.7	1.1	27.9	2.2	55.9	1.1	27.9	3.0	73.7
14	3.4	81.3	1.3	33.0	2.5	63.5	1.3	33.0	3.5	83.8

Dimensions in inches (millimeters) and are subject to change without notice.

Series 804 Push-Pull Mighty Mouse Protective Cover Ordering Information

667-202 and 809-198



Series 804



807-198 Plug Cover

See next page for ordering info

Protect Connectors From Damage – Machined aluminum covers prevent ingress of contamination and water.

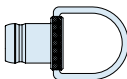
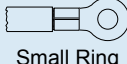
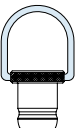
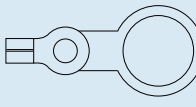
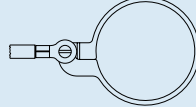
Stainless Steel Fittings and Rings – Choose small diameter eye fittings for panel attachment. Larger rings fit under the jam nut or over cable jackets. Split rings can be installed on fully assembled cables.

Polyurethane-Coated SST Wire Rope offers high strength, excellent abrasion resistance and good flexibility. Or, choose Teflon® jacket for high temperature exposure.

Braided Nylon Rope provides excellent flexibility and good abrasion resistance, and can be ordered with slip knot fittings for easy installation on any size cable.

HOW TO ORDER 667-202 RECEPTACLE COVERS

Sample Part Number

667-202	M	9	H	6	-14	R	
Series	Shell Material / Finish	Shell Size	Attachment Type	Attachment Length in Inches	Ring Type and Dia. Code	Pull Ring Option	
 <p>667-202 Protective Cover for use with Receptacle Connectors</p>	<p>C Aluminum / Black Anodize (Non-Conductive) RoHS Compliant</p> <p>M Aluminum / Electroless Nickel RoHS Compliant</p> <p>NF Aluminum / Cadmium with Olive Drab Chromate</p> <p>ZN Aluminum / Zinc-Nickel with Olive Drab Chromate</p> <p>ZNU Aluminum / Zinc-Nickel with Black Chromate</p> <p>MT Aluminum / Nickel-PTFE RoHS Compliant</p> <p>Z1 Stainless Steel / Passivated RoHS Compliant</p>	<p>5</p> <p>6</p> <p>7</p> <p>8</p> <p>9</p> <p>10</p> <p>12</p> <p>14</p>	<p>G Nylon Rope</p> <p>H SST Wire Rope, Teflon® Jacket</p> <p>N No Attachment</p> <p>S SST Sash Chain</p> <p>SK Nylon Rope With Slip Knot</p> <p>T SST Wire Rope, No Jacket</p> <p>U SST Wire Rope, Polyurethane Jacket</p> <p>"SST" = Stainless Steel</p>	<p>Omit for attachment Type N (No Attachment)</p> <p>Example</p> <p>"-6" equals six inch length</p>	<p>Omit for attachment Types N (No Attachment) and SK (Slip Knot)</p>	<p>Omit for None</p>	
					 <p>Small Ring</p>	<p>-01 – .126 (3.20) I.D.</p> <p>-02 – .145 (3.68) I.D.</p> <p>-04 – .188 (4.78) I.D.</p> <p>-06 – .197 (5.00) I.D.</p>	<p>R Supplied With Pull Ring</p> 
					 <p>Large Ring</p>	<p>-14 – .385 (9.78) I.D.</p> <p>-15 – .445 (11.30) I.D.</p> <p>-16 – .570 (14.48) I.D.</p> <p>-17 – .635 (16.13) I.D.</p> <p>-18 – .695 (17.65) I.D.</p> <p>-19 – .885 (22.48) I.D.</p> <p>-20 – 1.070 (27.17) I.D.</p> <p>-21 – 1.135 (28.83) I.D.</p>	
					 <p>Split Ring</p>	<p>-50 – .420 (10.67) I.D.</p> <p>-52 – .480 (12.19) I.D.</p> <p>-54 – .635 (16.13) I.D.</p> <p>-56 – .745 (18.92) I.D.</p> <p>-58 – .885 (22.48) I.D.</p> <p>-60 – 1.010 (25.65) I.D.</p> <p>-64 – 1.125 (28.58) I.D.</p> <p>-68 – 1.345 (34.16) I.D.</p>	

Dimensions in inches (millimeters) and are subject to change without notice.

© 2010 Glenair, Inc.

CAGE Code 06324

Printed in U.S.A.

GLENAIR, INC. • 1211 AIR WAY • GLENDALE, CA 91201-2497 • 818-247-6000 • FAX 818-500-9912

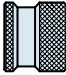
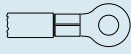
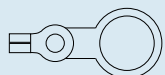

www.glenair.com

G-25

E-Mail: sales@glenair.com

Rev. 01-JANUARY-2010

HOW TO ORDER 809-198 PLUG COVERS

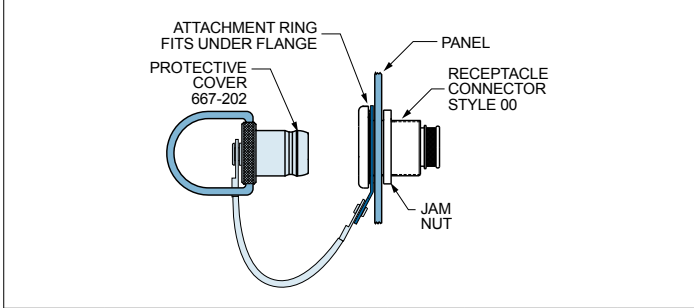
Sample Part Number									
809-198	M	12	H	6	-14				
Series	Shell Material / Finish	Shell Size	Attachment Type	Attachment Length in Inches	Ring Type and Dia. Code	Shell Key Position			
 <p>809-198 Protective Cover for use with Plug Connectors</p>	C Aluminum / Black Anodize (Non-Conductive) RoHS Compliant	5 6 7 8 9 10 12 14	G Nylon Rope	Omit for attachment Type N (No Attachment) Example "-6" equals six inch length	Omit for attachment Types N (No Attachment) and SK (Slip Knot)		Omit for Single Master Key A Pos. A (Normal) B Pos. B C Pos. C D Pos. D		
	M Aluminum / Electroless Nickel RoHS Compliant	H SST Wire Rope, Teflon® Jacket	N No Attachment		S SST Sash Chain	 <p>Small Ring</p>		-01 - .126 (3.20) I.D. -02 - .145 (3.68) I.D. -04 - .188 (4.78) I.D. -06 - .197 (5.00) I.D.	
	NF Aluminum / Cadmium with Olive Drab Chromate	SK Nylon Rope With Slip Knot	T SST Wire Rope, No Jacket		T SST Wire Rope, No Jacket			 <p>Large Ring</p>	-08 - .510 (13.0) I.D. -10 - .766 (19.4) I.D. -12 - 1.015 (25.8) I.D. -14 - .385 (9.78) I.D. -15 - .445 (11.30) I.D. -16 - .570 (14.48) I.D. -17 - .635 (16.13) I.D. -18 - .695 (17.65) I.D. -19 - .885 (22.48) I.D. -20 - 1.070 (27.17) I.D. -21 - 1.135 (28.83) I.D. -25 - .820 (20.8) I.D.
	ZN Aluminum / Zinc-Nickel with Olive Drab Chromate	U SST Wire Rope, Polyurethane Jacket	U SST Wire Rope, Polyurethane Jacket		U SST Wire Rope, Polyurethane Jacket	 <p>Split Ring</p>			-50 - .420 (10.67) I.D. -52 - .480 (12.19) I.D. -54 - .635 (16.13) I.D. -56 - .745 (18.92) I.D. -58 - .885 (22.48) I.D. -60 - 1.010 (25.65) I.D. -64 - 1.125 (28.58) I.D. -68 - 1.345 (34.16) I.D.
	ZNU Aluminum / Zinc-Nickel with Black Chromate	MT Aluminum / Nickel-PTFE RoHS Compliant	MT Aluminum / Nickel-PTFE RoHS Compliant		MT Aluminum / Nickel-PTFE RoHS Compliant				
	Z1 Stainless Steel / Passivated RoHS Compliant	Z1 Stainless Steel / Passivated RoHS Compliant	Z1 Stainless Steel / Passivated RoHS Compliant		Z1 Stainless Steel / Passivated RoHS Compliant				
					"SST" = Stainless Steel				

Dimensions in inches (millimeters) and are subject to change without notice.

Series 804 Push-Pull Mighty Mouse Protective Receptacle Cover Information 667-202

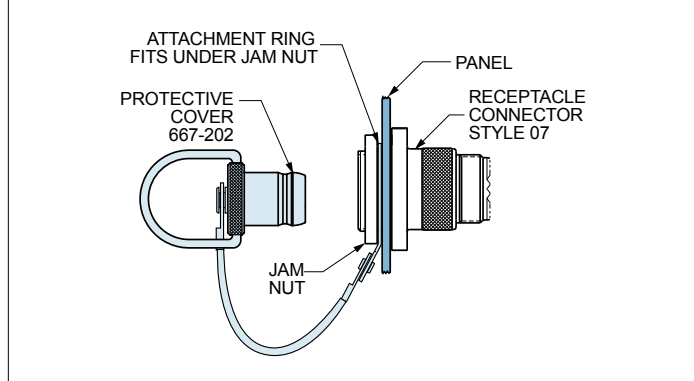


Attaching a 667-202 Receptacle Cover to a Front Panel Mounted Jam Nut Receptacle



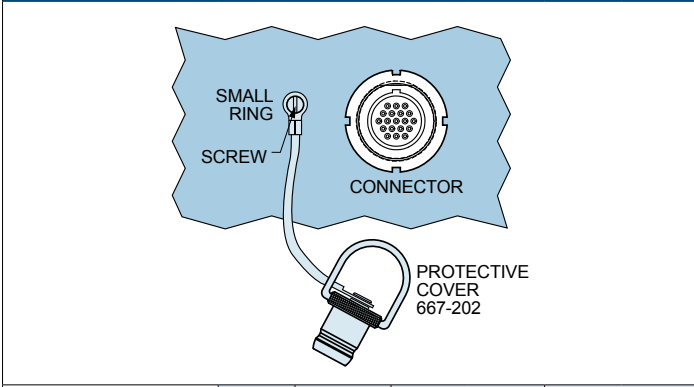
Solid Ring	Dia. Code	Shell Size	Conn. Thread Ref	Ring I.D.		Ring O.D.	
				In.	mm.	In.	mm.
				08	5	.5000-32	.510
16	6	.5625-28	.570	14.5	.690	17.5	
18	7, 8	.6875-28	.695	17.7	.820	20.8	
10	9	.7500-28	.766	19.4	.890	22.6	
25	10	.8125-28	.820	20.8	.940	23.9	
12	12	1.000-28	1.015	25.8	1.200	30.5	
20	14	1.062-20	1.070	27.2	1.200	30.5	
21	15	1.125-28	1.135	28.8	1.250	31.8	

Attaching a 667-202 Receptacle Cover to a Rear Panel Mounted Jam Nut Receptacle



Solid Ring	Dia. Code	Shell Size	Conn. Thread Ref	Ring I.D.		Ring O.D.	
				In.	mm.	In.	mm.
				$\pm .010$	± 0.25	$\pm .015$	± 0.38
15	5	.4375-32	.445	11.3	.570	14.5	
08	6	.5000-32	.510	13.0	.620	15.7	
17	7, 8	.6250-28	.635	16.1	.760	19.3	
18	9	.6875-28	.695	17.7	.820	20.8	
10	10	.7500-28	.766	19.4	.890	22.6	
19	12	.8750-28	.885	22.5	1.010	25.7	
12	14	1.000-28	1.015	25.8	1.200	30.5	

Attaching a 667-202 Receptacle Cover to a Panel With a Screw

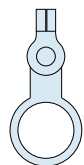
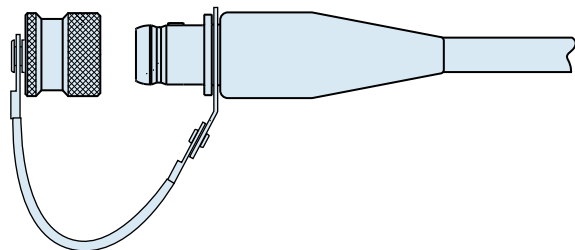


Small Ring for Attaching Receptacle Covers to a Panel with a Screw	Dia. Code	Screw Size	Ring I.D.		Ring O.D.	
			In.	mm.	In.	mm.
			$\pm .005$	± 0.13	Max.	Max.
01	#4, M3	.126	3.20	.31	7.9	
02	#6	.145	3.68	.31	7.9	
04	#8, M4	.188	4.78	.31	7.9	
06	#10	.197	5.00	.31	7.9	

Dimensions in inches (millimeters) and are subject to change without notice.

Attaching a Cover to a Cable Assembly With a Solid Ring

Install cover onto the back of the connector before overmolding or backshell installation.

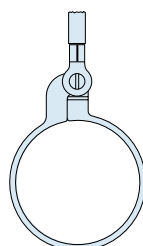
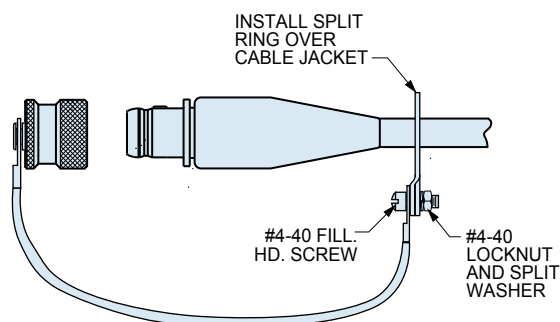


Solid Ring

Dia. Code	Shell Size	Ring I.D.		Ring O.D.	
		In.	mm.	In.	mm.
		± .010	±0.25	± .015	± 0.38
14	5, 6	.385	9.78	.510	12.95
15	7	.445	11.30	.565	14.35
16	8, 9	.570	14.48	.685	17.40
18	10, 12	.695	17.65	.820	20.82
20	14	1.070	27.17	1.195	30.35

Attaching a Cover to a Cable Using a Split Ring or Slip Knot

Split rings can be installed onto finished cables.

Large Split Ring for
Attaching Covers to
Cables

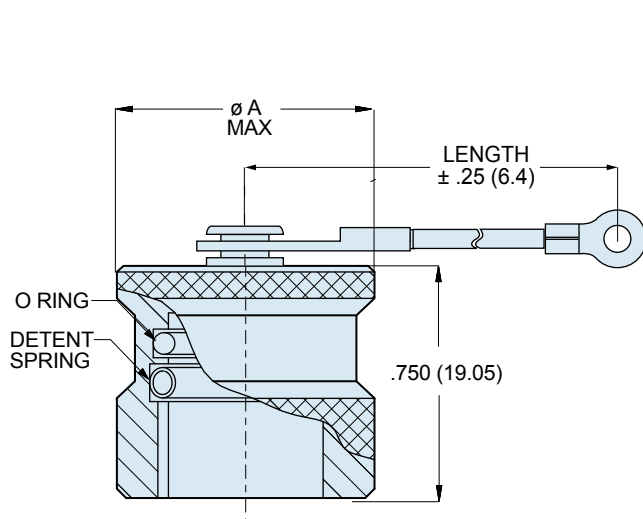
Dia. Code	Max. Cable Dia. (in.)	Ring Diameter			
		Min. ID		Max. OD	
		In.	mm.	In.	mm.
50	.410	.420	10.67	.580	14.73
52	.470	.480	12.19	.640	16.26
54	.625	.635	16.13	.796	20.22
56	.735	.745	18.92	.905	22.99
58	.875	.885	22.48	1.046	26.57
60	1.000	1.010	25.65	1.171	29.74
64	1.115	1.125	28.58	1.285	32.64
68	1.335	1.345	34.16	1.505	38.23

Dimensions in inches (millimeters) and are subject to change without notice.

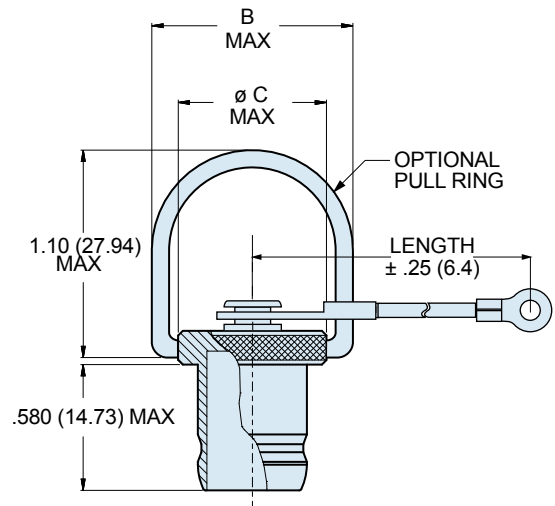
Series 804 Push-Pull Mighty Mouse Protective Plug and Receptacle Cover Dimensions 809-198 and 667-202



Series 804



809-198 Plug Cover








667-202 Receptacle Cover

Shell Size	Ø A Max.		Ø B Max.		Ø C Max.	
	In	mm	In	mm	In	mm
5	.496	12.60	.740	18.80	.490	12.45
6	.540	13.72	.740	18.80	.490	12.45
7	.645	16.38	.820	20.83	.570	14.48
8	.665	16.89	.870	22.10	.619	15.72
9	.720	18.29	.920	23.37	.670	17.02
10	.790	20.07	1.030	26.16	.783	19.89
12	.915	23.24	1.110	28.19	.860	21.84
14	1.040	26.42	1.230	31.24	.980	24.89

MATERIALS AND FINISHES

Cover	Aluminum alloy or stainless steel
O-ring	Fluorosilicone rubber
Wire, Hardware	Stainless steel, passivated

LANYARD OPTIONS

 Nylon Rope	-55° to +100°C., black, very flexible, very good abrasion resistance, good resistance to fuels, .120" (3mm) diameter
 Polyurethane Coated Wire Rope	Black polyurethane over stainless steel rope, -55° to +125°C., very flexible, excellent abrasion resistance, excellent resistance to fuels, .080" (2mm) diameter
 Teflon® Jacketed Wire Rope	Translucent FEP jacket over stainless steel, -55° to +200°C., fair flexibility, good abrasion resistance, .100" diameter
 Sash Chain	Stainless steel, #8 chain, .240" (6mm)
 Slip Knot (SK) for Attaching Covers to Cable	55° to +100°C., black, very flexible, very good abrasion resistance, good resistance to fuels, .120" (3mm) diameter. Length includes .5" (13mm) diameter loop.

Dimensions in inches (millimeters) and are subject to change without notice.

© 2010 Glenair, Inc.

CAGE Code 06324

Printed in U.S.A.

GLENAIR, INC. • 1211 AIR WAY • GLENDALE, CA 91201-2497 • 818-247-6000 • FAX 818-500-9912

www.glenair.com

G-29

E-Mail: sales@glenair.com

Rev. 01-JANUARY-2010

Series 804 Push-Pull Mighty Mouse Rubber Covers

809-083 and 809-087



809-083 Plug Cover

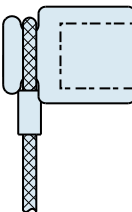
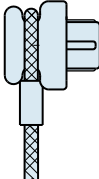

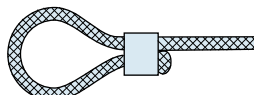


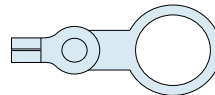


809-087 Receptacle Cover

These *splashproof molded rubber covers* fit all Series 804 plugs and receptacles. Braided black nylon lanyard is available with metal rings, cable tie or slipknot for attachment to panel or to cable.

HOW TO ORDER

Sample Part Number

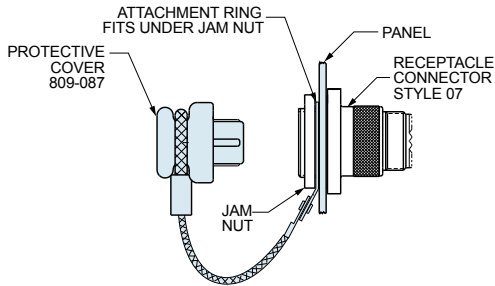
809-083	- 05	G	6	- SK	C
Series	Shell Size	Lanyard Type	Lanyard Length	Attachment Code	Conductive Rubber
 <p>809-083 Protective Cover for use with Series 804 Plugs</p>  <p>809-087 Protective Cover for use with Series 804 Receptacles</p>	-05 -06 -07 -08 -09 -10 -12 -14	-G Nylon Rope (Omit for no lanyard)	Length in Inches	 -WS Nylon Cable Tie, 1.77 Inch (45mm) Maximum Wire Bundle Diameter	Omit for Standard Neoprene C Conductive Rubber
				 -SK Slip Knot	
				 -00 Lanyard With No Attachment (Fused End)	
				Lug Terminals and Rings	
 Lug Terminal	-01 – .126 (3.20) I.D. -02 – .145 (3.68) I.D. -05 – .188 (4.78) I.D. -06 – .197 (5.00) I.D.				
 Solid Ring	-07 – .385 (9.78) I.D. -08 – .510 (13.11) I.D. -09 – .583 (14.81) I.D. -10 – .766 (19.4) I.D. -11 – .896 (25.76) I.D. -12 – 1.015 (25.78) I.D. -15 – .445 (11.30) I.D. -16 – .570 (14.48) I.D. -17 – .635 (16.13) I.D. -18 – .695 (17.65) I.D. -19 – .885 (22.48) I.D. -20 – 1.070 (27.18) I.D. -21 – 1.135 (28.83) I.D. -25 – .820 (20.8) I.D.				

Dimensions in inches (millimeters) and are subject to change without notice.

Series 804 Push-Pull Mighty Mouse Rubber Covers 809-083 and 809-087

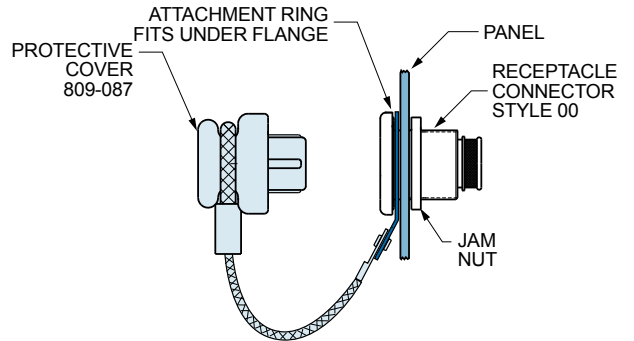


Attaching a 809-087 Receptacle Cover to a Rear Panel Mounted Jam Nut Receptacle



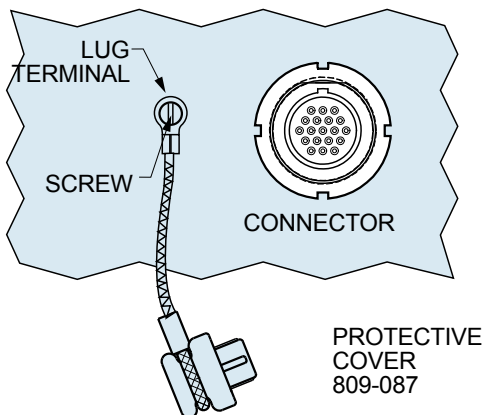
Solid Ring	Dia. Code	Shell Size	Conn. Thread Ref	Ring I.D.		Ring O.D.	
				In.	mm.	In.	mm.
	08	5	.5000-32	.510	13.0	.620	15.7
	16	6	.5625-28	.570	14.5	.690	17.5
	18	7, 8	.6875-28	.695	17.7	.820	20.8
	10	9	.7500-28	.766	19.4	.890	22.6
	25	10	.8125-28	.820	20.8	.940	23.9
	12	12	1.000-28	1.015	25.8	1.200	30.5
	20	14	1.062-20	1.070	27.2	1.200	30.5
	21	15	1.125-28	1.135	28.8	1.250	31.8

Attaching a 809-087 Receptacle Cover to a Front Panel Mounted Jam Nut Receptacle



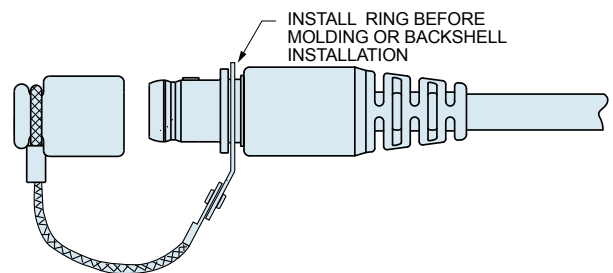
Solid Ring	Dia. Code	Shell Size	Conn. Thread Ref	Ring I.D.		Ring O.D.	
				In.	mm.	In.	mm.
	15	5	.4375-32	±.010	±0.25	±.015	±0.38
	08	6	.5000-32	.445	11.3	.570	14.5
	17	7, 8	.6250-28	.635	16.1	.760	19.3
	18	9	.6875-28	.695	17.7	.820	20.8
	10	10	.7500-28	.766	19.4	.890	22.6
	19	12	.8750-28	.885	22.5	1.010	25.7
	12	14	1.000-28	1.015	25.8	1.200	30.5

Attaching a 809-087 Receptacle Cover to a Panel With a Lug Terminal



Lug Terminal for Attaching Receptacle Covers to a Panel with a Screw	Dia. Code	Shell Size	Ring I.D.		Ring O.D.	
			In.	mm.	In.	mm.
	01	#4, M3	±.005	±0.13	Max.	Max.
	02	#6	.126	3.20	.31	7.9
	05	#8, M4	.145	3.68	.31	7.9
	06	#10	.188	4.78	.31	7.9

Attaching a Cover to a Cable Assembly With a Solid Ring



Solid Ring	Dia. Code	Shell Size	Ring I.D.		Ring O.D.	
			In.	mm.	In.	mm.
	07	5,6	±.010	±0.25	±.015	±0.38
	15	7	.385	9.78	.510	12.95
	16	8, 9	.445	11.30	.565	14.35
	18	10, 12	.570	14.48	.685	17.40
	20	14	.695	17.65	.820	20.82

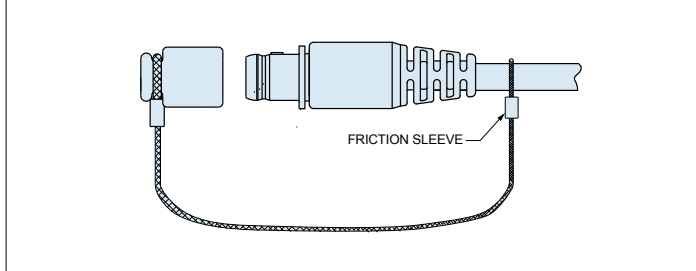
Dimensions in inches (millimeters) and are subject to change without notice.



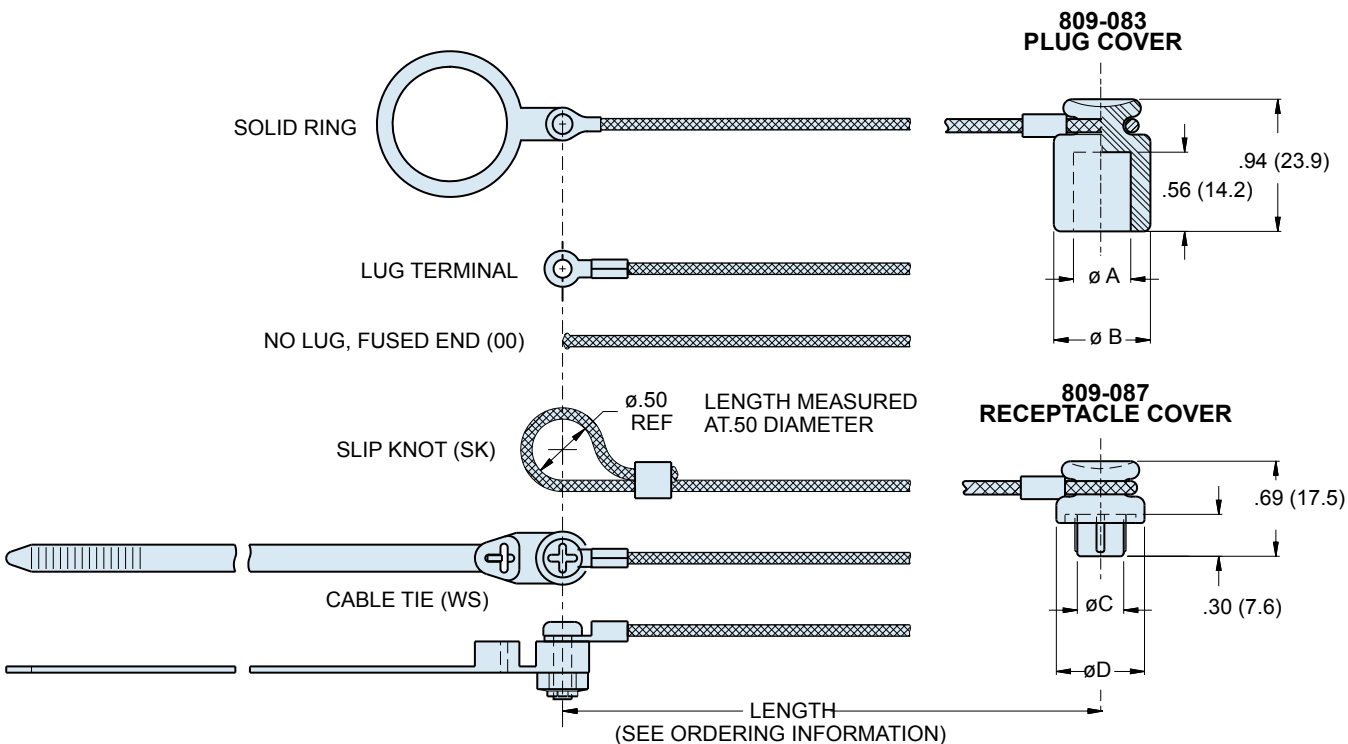
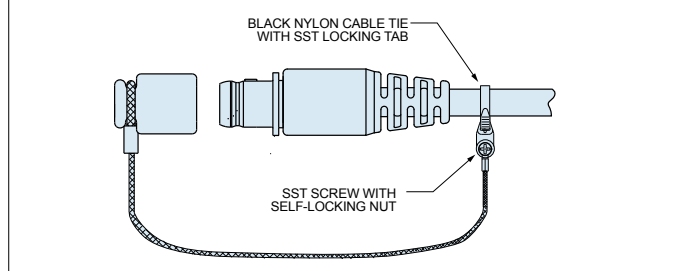
Series 804 Push-Pull Mighty Mouse Rubber Covers

809-083 and 809-087

Attaching a Cover to a Cable Assembly With Type SK Slip Knot



Attaching a Cover to a Cable Assembly With Type WS Cable Tie



Shell Size	ϕA		ϕB		ϕC		ϕD	
	In	mm	In	mm	In	mm	In	mm
5	.23	5.8	.56	14.2	.27	6.9	.59	15.0
6	.29	7.4	.56	14.2	.33	8.4	.65	16.5
7	.36	9.1	.56	14.2	.40	10.2	.78	19.8
8	.41	10.4	.68	17.3	.44	11.2	.78	19.8
9	.46	11.7	.68	17.3	.50	12.7	.84	21.3
10	.54	13.7	.79	20.1	.57	14.5	.90	22.9
12	.55	14.0	.79	20.1	.69	17.5	1.03	26.2
14	.78	19.8	1.11	28.2	.82	20.8	1.15	29.2

MATERIALS	
Cover	Neoprene rubber blend, black
Lanyard	.062" (1.57) diameter nylon cord, black
Cable Tie	6/6 nylon, black, SST locking tab
Ring	Stainless steel, black zinc-cobalt finish

Dimensions in inches (millimeters) and are subject to change without notice.

Series 804 Push-Pull Mighty Mouse Spring-Loaded Cover

667-282



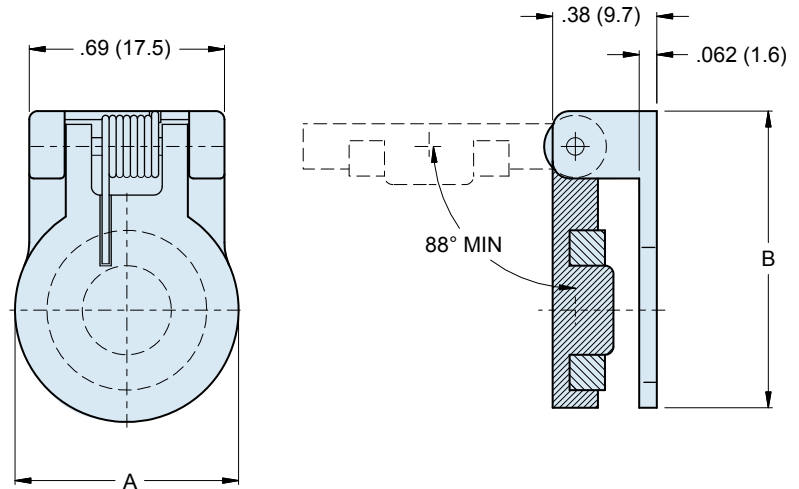
Series 804

Spring-Loaded Cover for Series 804 Jam Nut Receptacles

"Flop lid" snaps shut when cable is disconnected. Silicone gasket provides watertight seal when closed. Fits standard Series 804 jam nut receptacles. For .057/.067 inch (1.45/1.70mm) panel thickness. Aluminum alloy or stainless steel.



Shell Size	Part Number				
	Aluminum				Stainless Steel
	Electroless Nickel	Cadmium/Olive Drab	Nickel-PTFE	Black Zinc-Nickel	Passivated
5	667-282M05	667-282NF05	667-282MT05	667-282ZNU05	667-282Z105
6	667-282M06	667-282NF06	667-282MT06	667-282ZNU06	667-282Z106
7	667-282M07	667-282NF07	667-282MT07	667-282ZNU07	667-282Z107
8	667-282M08	667-282NF08	667-282MT08	667-282ZNU08	667-282Z108
9	667-282M08	667-282NF09	667-282MT09	667-282ZNU09	667-282Z109
10	667-282M10	667-282NF10	667-282MT10	667-282ZNU10	667-282Z110
12	667-282M12	667-282NF12	667-282MT12	667-282ZNU12	667-282Z112
14	667-282M14	667-282NF14	667-282MT14	667-282ZNU14	667-282Z114



Shell Size	Dimensions			
	A		B	
	In.	mm.	In.	mm.
5	.63	16.0	.93	23.6
6	.69	17.5	.99	25.1
7	.82	20.8	1.11	28.2
8	.82	20.8	1.11	28.2
9	.88	22.4	1.18	30.0
10	.94	23.9	1.24	31.5
12	1.07	27.2	1.36	34.5
14	1.19	30.2	1.49	37.8

Materials	
Cover, Housing	Aluminum Alloy or Stainless Steel
Gasket	Sponge Silicone Rubber
Sleeve	Delrin
Spring, Shaft	Stainless Steel

Dimensions in inches (millimeters) and are subject to change without notice.

CAGE Code 06324

Printed in U.S.A.

© 2010 Glenair, Inc.

GLENAIR, INC. • 1211 AIR WAY • GLENDALE, CA 91201-2497 • 818-247-6000 • FAX 818-500-9912

www.glenair.com

G-33

E-Mail: sales@glenair.com

Rev. 01-JANUARY-2010

SERIES 805

MIGHTY MOUSE TRIPLE-START COUPLING

**BONAFIDE D38999 WORKALIKE AT HALF
THE SIZE AND WEIGHT**



The Series 805 Mighty Mouse Connector brings true D38999 type packaging and performance to miniaturized interconnection systems. The triple-start coupling mechanism, with its self-locking coupling nut, is as close as you can get to true D38999 connector performance—without adding all the size and weight. And only Mighty Mouse offers the range of layouts, connector classes, terminations, and backshell accessories you expect in a mature connector product line—again, just like D38999 (but this time without the spare tire).



**Series 805 Mighty Mouse
Triple-Start Threaded Coupling
Introduction**



SECTION C SERIES 805 TRIPLE-START PRODUCT SELECTION GUIDE

<p>Plugs Page H-6 805-001, 805-002</p>		<p>Series 805 Plugs These connectors are supplied with a full complement of contacts for termination to insulated wire. The integral shield termination platform accepts BAND-IT[®] stainless steel bands (ordered separately), or select connectors with accessory threads for use with a variety of strain relief options. Contacts are crimp-type, and are packaged with the connector.</p>
<p>Crimp Receptacles Page H-8 805-003, 805-004</p>		<p>Series 805 Receptacles for Insulated Wire Jam nut for rear panel mounting, square flange and in-line versions make it easy to find a style for every application. The integral shield termination platform accepts BAND-IT[®] stainless steel bands (ordered separately), or select connectors with accessory threads for use with a variety of strain relief options. Contacts are crimp-type, and are packaged with the connector.</p>
<p>Solder Cup/PCB Receptacles Page H-12 805-005, 805-017</p>		<p>Series 805 Receptacles With Solder Cup or PCB Termination These panel mount connectors feature gold plated, factory-installed non-removeable contacts. Choose printed circuit terminals for attachment to flex circuits or rigid boards, or choose solder cup contacts. Connectors are potted with epoxy for general purpose applications, or choose silicone-sealed, leak-tested versions for 1 meter water immersion.</p>
<p>Hermetic Receptacles Page H-15 800-032</p>		<p>Series 805 Hermetic Receptacles Need a hermetic for a sealed box or instrument? These stainless steel, glass-sealed connectors are available with solder cup or PC tail contacts. Choose jam nut, square flange or solder mount versions. Contacts are gold plated iron alloy. 100% tested to meet 1 X 10⁻⁶ cc/sec helium leakage. Open face pressure rating 1000 PSI.</p>
<p>Sav-Con[®] Page H-19 805-010</p>		<p>Series 805 Sav-Con[®] Connector Savers Protect expensive test equipment and cables with Glenair Sav-Con[®] connector savers. These plug/receptacle adapters feature non-removable contacts and a ratcheting coupling mechanism to prevent loosening under vibration.</p>
<p>Cordsets Page H-21 800-034, 800-041, 800-038, 800-039</p>		<p>Series 805 Cordsets Specify overmolded cordsets for optimum convenience and performance. Polyurethane jackets provide excellent all-weather cable protection. Fully shielded, with watertight overmolding.</p>
<p>Protective Covers Page H-25 667-261, 667-262</p>		<p>Series 805 Protective Covers Thread-on metal covers provide a watertight seal and prevent damage. Select nylon cord or wire rope lanyards with a range of ring terminal diameters to fit just about any need.</p>

Dimensions in inches (millimeters) and are subject to change without notice.

CAGE Code 06324

Printed in U.S.A.

© 2010 Glenair, Inc.

GLENAIR, INC. • 1211 AIR WAY • GLENDALE, CA 91201-2497 • 818-247-6000 • FAX 818-500-9912

www.glenair.com

H-1

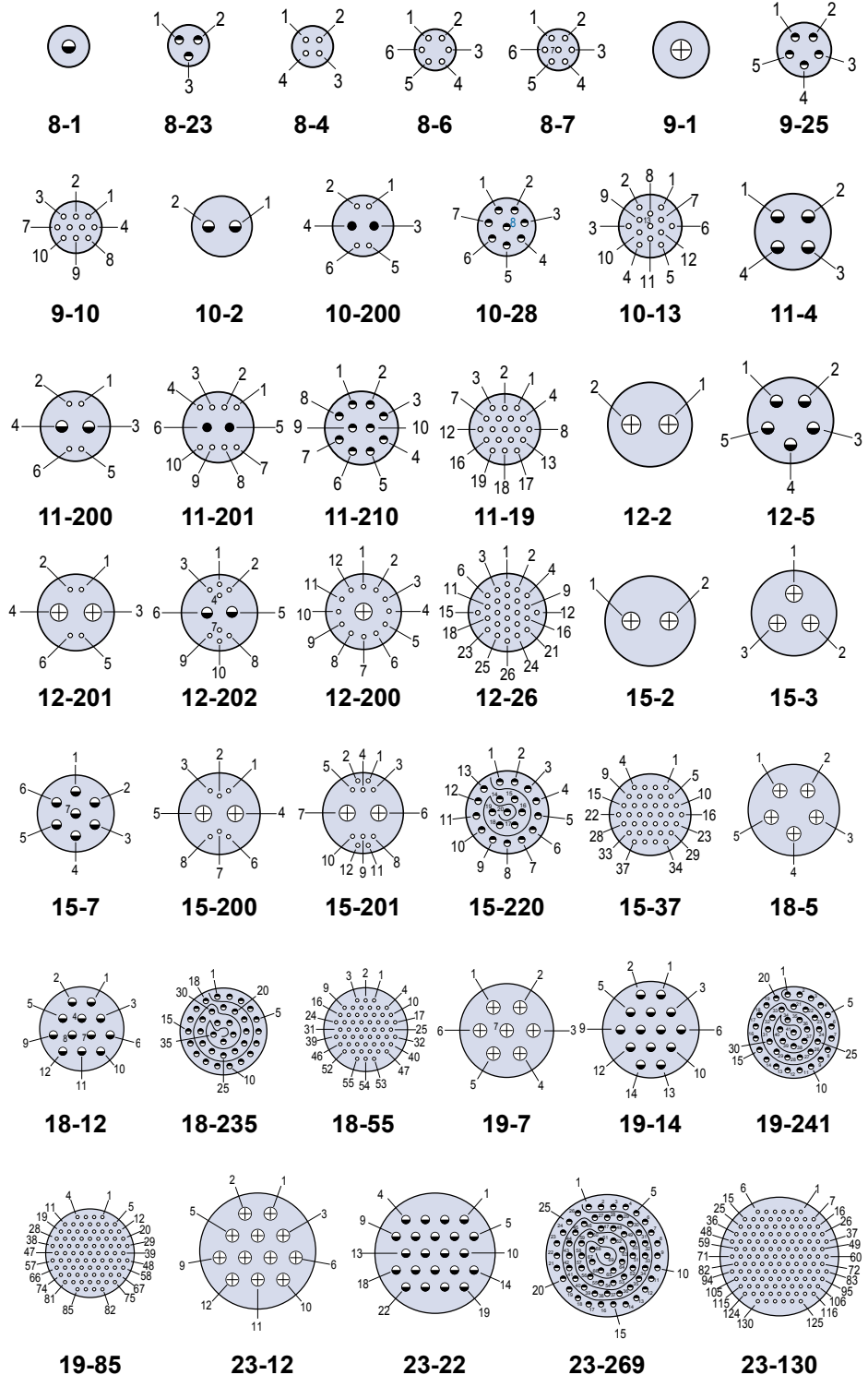
E-Mail: sales@glenair.com

CONTACT ARRANGEMENTS

Contact Arr.	No. of Contacts				
	#23	#20	#20HD	#16	#12
8-1				1	
8-23			3		
8-4	4				
8-6	6				
8-7	7				
9-1					1
9-25			5		
9-10	10				
10-2				2	
10-28			8		
10-13	13				
10-200	4	2			
11-4				4	
11-210			10		
11-19	19				
11-200	4			2	
11-201	8	2			
12-2					2
12-5				5	
12-26	26				
12-200	12				1
12-201	4				2
12-202	8			2	
15-2					2
15-3					3
15-7				7	
15-220			20		
15-37	37				
15-200	6				2
15-201	10				2
18-5					5
18-12				12	
18-235			35		
18-55	55				
19-7					7
19-14				14	
19-241			41		
19-85	85				
23-12					12
23-22				22	
23-269			69		
23-130	130				

Mating Face View of Pin Connector (socket connector numbers are reversed)

Contact Legend #23⊕ #20HD⊕ #20● #16⊕ #12⊕



Dimensions in inches (millimeters) and are subject to change without notice.

CAGE Code 06324

Printed in U.S.A.

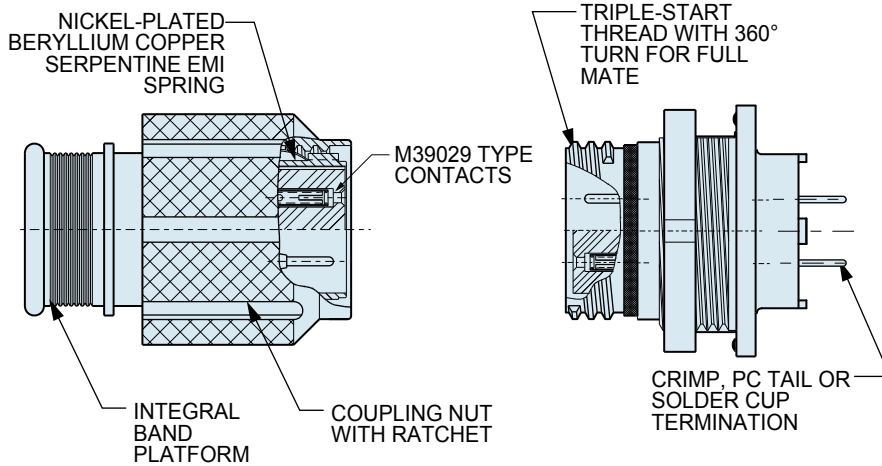
© 2010 Glenair, Inc. **GLENAIR, INC. • 1211 AIR WAY • GLENDALE, CA 91201-2497 • 818-247-6000 • FAX 818-500-9912**

www.glenair.com

H-2

E-Mail: sales@glenair.com

Series 805 Mighty Mouse Triple-Start Threaded Coupling General Information



Outstanding EMI Shielding

Nickel-plated beryllium copper ground spring and metal-to-metal bottoming for excellent EMI performance.

Triple-Start Coupling

Rugged ACME threads resist cross-threading and allow fast mating.

Environmentally Sealed

Meets MIL-STD-810 Method 512 immersion.

Ratchet Mechanism

Ratcheting anti-decoupling mechanism prevents coupling nut backoff when subjected to vibration.

Glenair's Series 805 Connector Offers Outstanding EMI Protection and Vibration Resistance in a Miniaturized Package

The Series 805 connector was developed to provide several performance enhancements compared to other "Mighty Mouse" versions. A ratchet mechanism in the coupling nut prevents de-mating under severe vibration. EMI performance is improved with a serpentine ground spring on the plug barrel. This nickel plated beryllium copper spring assures low shell-to-shell resistance. The Series 805, although larger than other Series 80 versions, saves size and weight compared to MIL-DTL-38999 connectors with no compromise in performance.



SPECIFICATIONS

Current Rating	#23 5 AMPS, #20HD 7.5 A., #16 13 A., #12 23 A.
Dielectric Withstanding Voltage	#23 500 VAC RMS, #20HD 750 VAC #12 and #16 1800 VAC
Insulation Resistance	5000 megohms minimum
Operating Temperature	-55° C. to +150° C.
Shock	300 g.
Vibration	37 g.
Shielding Effectiveness	65 dB minimum from 1GHz to 10GHz.
Magnetic Permeability	2.0 μ maximum
Durability	2000 mating cycles

MATERIALS AND FINISHES

Shells, Jam Nuts	Aluminum alloy or stainless steel
Contacts	Copper alloy, 50 μinch gold plated
Insulators	Liquid crystal polymer (LCP)
Contact Retention Clip	Beryllium copper alloy
Seal, O-rings, Grommet	Fluorosilicone rubber
Spring	Nickel-plated beryllium copper
See Series 80 General Information for complete material and finish specs.	

Dimensions in inches (millimeters) and are subject to change without notice.

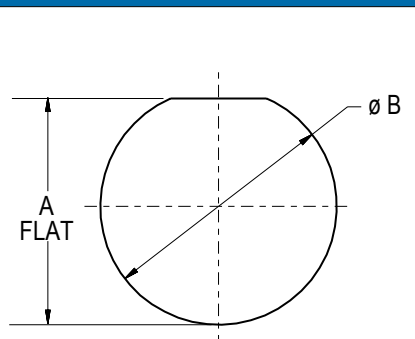
Series 805 Mighty Mouse Triple-Start Connector Weight and Size Comparison, Key Positions

SIZE COMPARISON: SERIES 805 VERSUS D38999 SERIES III

Layout	Number of Contacts	D38999 Layout	Number of Contacts	Maximum Plug Diameter					Maximum Jam Nut Receptacle Diameter				
				Series 805		D38999		% Reduction	Series 805		D38999		% Reduction
				In.	mm.	In.	mm.		In.	mm.	In.	mm.	
8-7	7 #23	9-35	6 #20	.707	17.96	.859	21.81	17%	.775	19.69	1.201	30.51	35%
10-13	13 #23	11-35	13 #22D	.804	20.42	.969	24.61	18%	.895	22.73	1.386	30.50	35%
11-19	19 #23	13-35	19 #22D	.933	23.70	1.141	28.98	20%	.960	24.38	1.512	38.40	36%
12-26	26 #23	17-26	26 #20	.999	25.37	1.391	35.33	29%	1.075	27.31	1.764	44.81	39%
15-37	37 #23	15-35	37 #22D	1.113	28.27	1.266	32.16	13%	1.218	30.86	1.638	41.61	26%
18-55	55 #23	17-35	55 #22D	1.308	33.22	1.391	35.33	7%	1.404	35.66	1.764	44.81	20%
19-85	85 #23	21-35	85 #22D	1.328	33.73	1.625	41.27	19%	1.465	37.21	2.075	52.71	29%
23-130	130 #23	25-35	128 #22D	1.577	40.06	1.875	47.63	16%	1.720	43.69	2.323	59.00	26%

PANEL CUTOUT FOR JAM NUT RECEPTACLE

Shell Size	A Flat		Ø B	
	In. ± .002	mm. ± 0.05	In. ± .005	mm. ± 0.13
8	.543	13.79	.572	14.53
9	.669	16.99	.698	17.73
10	.669	16.99	.698	17.73
11	.729	18.51	.760	19.30
12	.792	20.17	.822	20.88
15	.978	24.84	1.010	25.65
18	1.155	29.34	1.198	30.43
19	1.229	31.22	1.260	32.00
23	1.480	37.59	1.510	38.35



SERIES 805 KEY POSITIONS

	Key Position	Key Rotation	
		A	B
<p style="text-align: center;">PLUG</p>	Normal (A)	150°	210°
	B	75°	210°
	C	95°	230°
	D	140°	275°

Dimensions in inches (millimeters) and are subject to change without notice.

Series 805 Mighty Mouse Triple-Start Connector Weights



SERIES 805 CONNECTOR WEIGHT IN GRAMS

Contact Arr.	Cable Plug	J/N Recep Crimp	J/N Recep PCB	Sq. Flange Recep Crimp	Sq. Flange Recep PCB
8-1P	7.5	5.8	5.7	5.8	4.6
8-1S	7.9	6.3	6.2	6.3	5.1
8-4P	8.3	6.6	6.5	6.6	5.4
8-4S	8.8	7.2	7.0	7.2	5.9
8-7P	7.3	5.6	5.5	5.6	4.4
8-7S	7.7	6.1	5.9	6.1	4.8
9-1P	10.9	9.0	9.0	6.8	7.7
9-1S	11.4	9.6	9.6	7.4	8.3
9-10P	10.7	8.8	8.8	6.6	7.5
9-10S	11.6	9.7	9.7	7.5	8.4
10-2P	13.3	10.2	10.3	8.9	9.4
10-2S	14.1	11.0	11.1	9.7	10.1
10-13P	12.7	9.6	9.7	8.3	8.7
10-13S	13.4	10.3	10.5	9.0	9.5
10-200P	13.9	10.8	10.9	9.5	9.9
10-200S	14.7	11.7	11.8	10.3	10.8
11-4P	15.4	12.1	13.1	10.3	11.3
11-4S	16.4	13.1	14.1	11.3	12.3
11-19P	14.3	11.0	12.0	9.2	10.2
11-19S	15.4	12.1	13.1	10.3	11.3
11-200P	14.9	11.6	12.5	9.8	10.8
11-200S	16.0	12.7	13.6	10.9	11.9
11-201P	15.4	12.1	13.1	10.3	11.3
11-201S	16.6	13.3	14.3	11.6	12.5
12-5P	17.6	13.9	16.3	12.2	13.1
12-5S	19.0	15.3	17.7	13.6	14.5
12-26P	15.8	12.1	14.5	10.5	11.3
12-26S	17.4	13.6	16.1	12.0	12.9
12-200P	16.5	12.8	15.2	11.1	12.0
12-200S	17.9	14.2	16.6	12.5	13.4
12-201P	16.6	12.9	15.3	11.2	12.1
12-201S	18.0	14.3	16.7	12.7	13.5

Contact Arr.	Cable Plug	J/N Recep Crimp	J/N Recep PCB	Sq. Flange Recep Crimp	Sq. Flange Recep PCB
12-202P	16.6	12.9	15.3	11.2	12.1
12-202S	18.2	14.4	16.8	12.8	13.6
15-2P	20.7	20.2	21.8	17.1	19.5
15-2S	22.3	21.9	23.4	18.7	21.1
15-3P	21.7	21.2	22.8	18.0	20.5
15-3S	23.4	23.0	24.5	19.8	22.2
15-7P	21.9	21.5	23.0	18.3	20.7
15-7S	24.5	24.1	25.6	20.9	23.3
15-37P	20.1	19.7	21.2	16.5	18.9
15-37S	23.0	22.6	24.1	19.4	21.8
15-200P	20.4	19.9	21.5	16.7	19.1
15-200S	22.6	22.1	23.7	18.9	21.3
15-201P	20.7	20.2	21.8	17.1	19.5
15-201S	23.0	22.6	24.1	19.4	21.8
18-5P	29.9	31.6	30.1	26.1	29.0
18-5S	32.9	34.5	33.1	29.0	32.0
18-12P	30.7	32.3	30.9	26.8	29.8
18-12S	34.3	36.0	34.5	30.5	33.4
18-55P	27.3	28.9	27.5	23.4	26.4
18-55S	30.7	32.3	30.9	26.8	29.8
19-7P	27.9	30.0	33.1	25.1	33.0
19-7S	31.0	33.1	36.2	28.2	36.1
19-14P	32.9	35.0	38.1	30.0	38.0
19-14S	32.6	34.7	37.7	29.7	37.6
19-85P	26.6	28.7	31.8	23.8	31.7
19-85S	31.1	33.2	36.3	28.3	36.2
23-12P	40.2	42.9	44.4	36.7	43.9
23-12S	45.2	48.0	49.5	41.8	49.0
23-22P	42.7	45.4	47.0	39.3	46.4
23-22S	49.6	52.4	53.9	46.2	53.4
23-130P	37.8	40.6	42.1	34.4	41.6
23-130S	44.9	47.7	49.3	41.6	48.7

Maximum connector weight in grams.

Dimensions in inches (millimeters) and are subject to change without notice.

Series 805 Mighty Mouse Triple-Start Plug Connector Ordering Information

805-001 and 805-002



Two Shell Styles: Integral platform for direct shield attachment using BAND-IT[®] termination system, or accessory thread for attaching a strain relief.

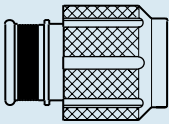
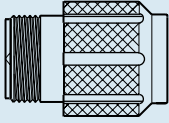
EMI Ground Spring provides low shell-to-shell resistance. This nickel-plated beryllium copper spring enables the Series 805 to meet greater than 60 dB shielding effectiveness from 100 MHz to 15 GHz.

Ratchet Mechanism for Secure Coupling:

Series 805 connectors feature a spring mechanism in the coupling nut that locks into radial teeth on the plug barrel. This feature allows the Series 805 to stay mated even when under high vibration, without the need for safety wire or torque tools.

HOW TO ORDER

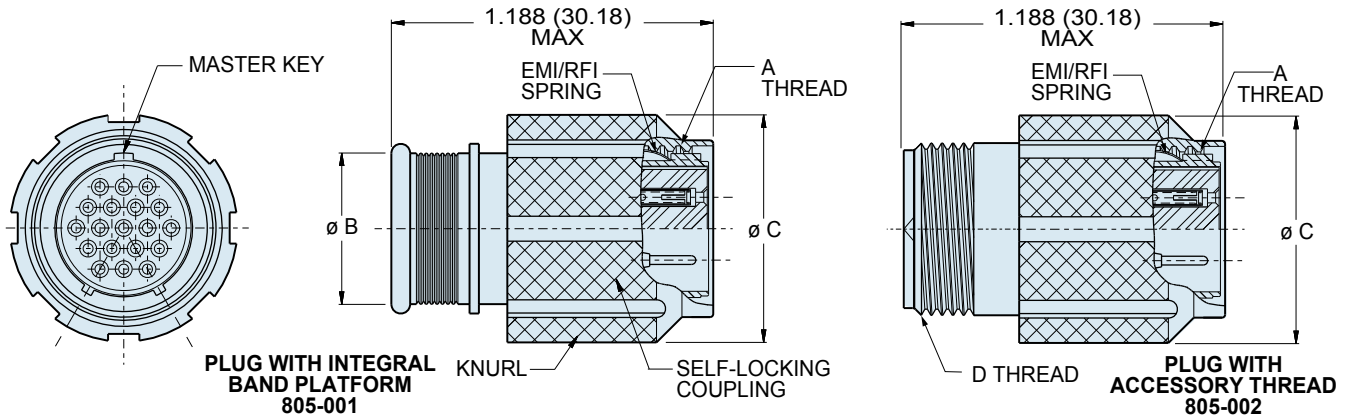
Sample Part Number

805-002	-16	M	8-4	P	A
Series	Shell Style	Shell Material / Finish	Shell Size- Insert Arrangement	Contact Type	Shell Key Position
 <p>805-001 Plug with Banding Platform</p>	<p>-16 Plug Connector with Ratcheting Anti-Decoupling Mechanism</p>	<p>C Aluminum / Black Anodize (Non-Conductive) RoHS Compliant</p>	<p>SEE CONTACT ARRANGEMENTS PAGE H-2</p>	<p>Connector supplied with contacts</p>	<p>A Position A (Normal)</p>
 <p>805-002 Plug with Accessory Thread</p>		<p>M Aluminum / Electroless Nickel RoHS Compliant</p>		<p>P Pin</p>	<p>B Position B</p>
		<p>NF Aluminum / Cadmium with Olive Drab Chromate</p>		<p>S Socket</p>	<p>C Position C</p>
		<p>ZN Aluminum / Zinc-Nickel with Olive Drab Chromate</p>		<p>Connector supplied without contacts</p>	<p>D Position D</p>
		<p>ZNU Aluminum / Zinc-Nickel with Black Chromate</p>		<p>A Pin Connector, less contacts</p>	
		<p>MT Aluminum / Nickel-PTFE RoHS Compliant</p>		<p>B Socket Connector, less contacts</p>	
		<p>Z1 Stainless Steel / Passivated RoHS Compliant</p>		<p>Connectors with contacts are supplied with signal and/or power crimp contacts. These contacts are not installed.</p>	
				<p>Coaxial contacts and non-standard signal contacts are ordered separately.</p>	

Dimensions in inches (millimeters) and are subject to change without notice.

Series 805 Mighty Mouse Triple-Start Plug Connector Dimensions

805-001-16 and 805-002-16



DIMENSIONS

Shell Size	A Threads	Ø B		Ø C		D Threads Accessory
		In.	mm.	In.	mm.	
8	.5000-.1P-.3L-TS-2B	.317	8.05	.691	17.55	.3750-32 UNEF-2A
9	.5625-.1P-.3L-TS-2B	.397	10.08	.787	19.99	.4375-28 UNEF-2A
10	.6250-.1P-.3L-TS-2B	.473	12.01	.826	20.98	.5000-28 UNEF-2A
11	.6875-.1P-.3L-TS-2B	.519	13.18	.916	23.27	.5625-24 UNEF-2A
12	.7500-.1P-.3L-TS-2B	.585	14.86	.982	24.94	.6250-24 UNEF-2A
15	.9375-.1P-.3L-TS-2B	.687	17.45	1.097	27.86	.7500-20 UNEF-2A
18	1.1250-.1P-.3L-TS-2B	.884	22.45	1.290	32.77	.9375-20 UNEF-2A
19	1.1875-.1P-.3L-TS-2B	.884	22.45	1.310	33.27	.9375-20 UNEF-2A
23	1.4375-.1P-.3L-TS-2B	1.135	28.83	1.562	39.67	1.1875-18 UNEF-2A

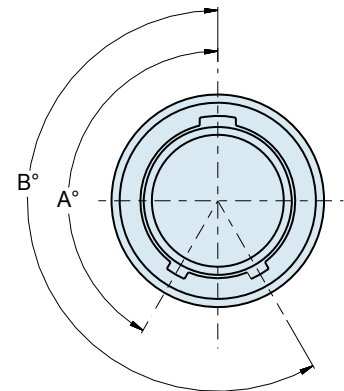
PERFORMANCE SPECIFICATIONS

DWV	#23 500 VAC Sea level, #20HD 750 VAC, #12 AND #16 1800 VAC
Insulation Resistance	5000 Megohms Minimum
Operating Temperature	-55° C. to +150° C.
Immersion, Mated	MIL-STD-810 Method 512. One Meter for One Hour.
EMI	65 dB Minimum from 1 GHz. to 10 GHz.

MATERIALS AND FINISHES

Connector Shell	Aluminum or Stainless Steel
Insulator	Liquid Crystal Polymer (LCP)
Seals	Fluorosilicone Rubber, Blue
Pin Contact	Copper Alloy, Gold over Nickel Plating
Socket Contact	Copper Alloy, Gold over Nickel Plating, with SST Hood
Contact Retainer Clip	Beryllium Copper, Unplated

SERIES 805 KEY POSITIONS



Key Position	Key Rotation	
	A	B
Normal (A)	150°	210°
B	75°	210°
C	95°	230°
D	140°	275°

Dimensions in inches (millimeters) and are subject to change without notice.

Series 805 Mighty Mouse Triple-Start Crimp Receptacle Ordering Information

805-003 and 805-004



**Series 805 Triple-Start
Jam Nut Connector**

Three Shell Mounting Options

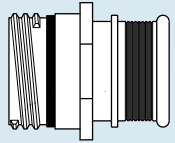
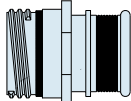
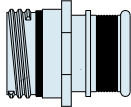
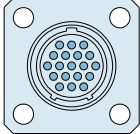

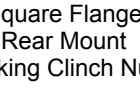
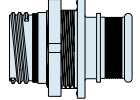
Jam nut with O-ring for rear panel mounting, square flange for front or rear panel mounting, or in-line receptacles for free-hanging cables.

Gold-Plated Crimp Contacts are held in place with beryllium copper retention clips. Contacts are removable.

Two Shell Styles: Choose **integral band platform** for direct attachment of a cable shield. Install a boot, or overmold a boot over the band platform. An **accessory thread** is available for attaching strain reliefs and backshells.

HOW TO ORDER

Sample Part Number

805-004	-02	NF	9-10	P	A
Series	Shell Style	Shell Material / Finish	Shell Size- Insert Arrangement	Contact Type	Shell Key Position
 805-003 Receptacle with Banding Platform	 -01 In-Line	C Aluminum / Black Anodize (Non-Conductive) RoHS Compliant M Aluminum / Electroless Nickel RoHS Compliant MT Aluminum / Nickel-PTFE RoHS Compliant	SEE CONTACT ARRANGEMENTS PAGE H-2	Connector supplied with contacts P Pin S Socket	A Position A (Normal) B Position B C Position C D Position D
 805-004 Receptacle with Accessory Thread	 -02 Square Flange Front or Rear Mount	NF Aluminum / Cadmium with Olive Drab Chromate ZN Aluminum / Zinc-Nickel with Olive Drab Chromate ZNU Aluminum / Zinc-Nickel with Black Chromate		Connector supplied without contacts A Pin Connector, less contacts B Socket Connector, less contacts	
	 -12 Square Flange Rear Mount Non-Locking Clinch Nuts	Z1 Stainless Steel / Passivated RoHS Compliant ZB Stainless Steel / Olive Drab Chromate over Cadmium		Connectors with contacts are supplied with signal and/or power crimp contacts. These contacts are not installed.	
	 -22 Square Flange Rear Mount Locking Clinch Nuts	ZC Stainless Steel / Zinc Cobalt Alloy/Black Chromate		Coaxial contacts and non-standard signal contacts are ordered separately.	
	 -07 Jam Nut for Rear Panel Mounting				

Dimensions in inches (millimeters) and are subject to change without notice.

© 2010 Glennair, Inc.

CAGE Code 06324

Printed in U.S.A.

GLENNAIR, INC. • 1211 AIR WAY • GLENDALE, CA 91201-2497 • 818-247-6000 • FAX 818-500-9912

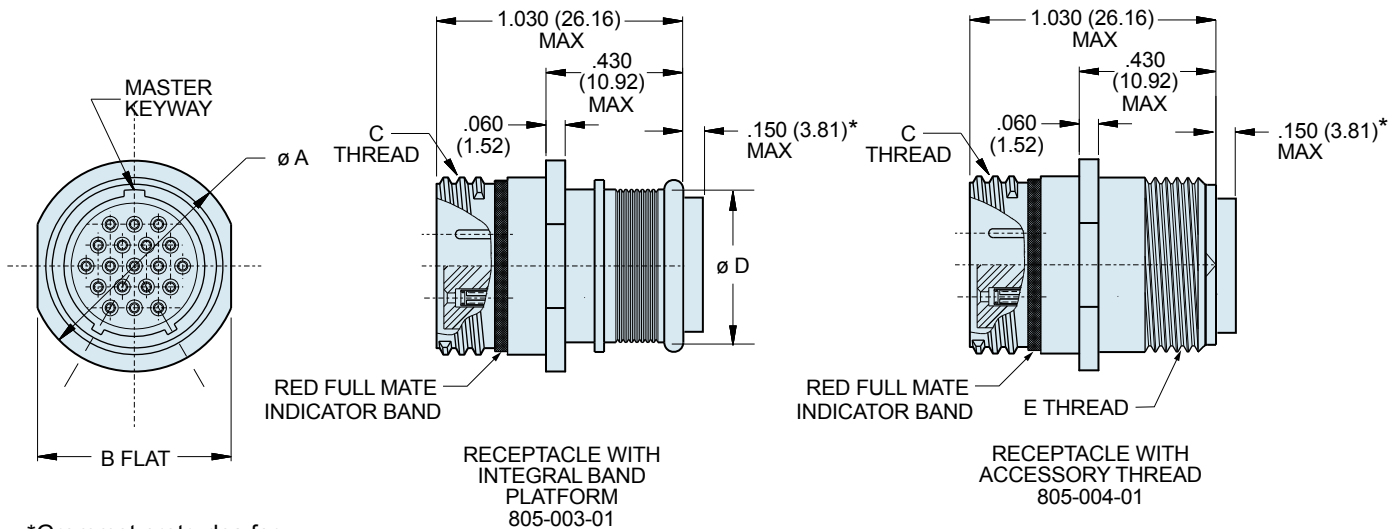
www.glennair.com

H-8

E-Mail: sales@glennair.com

Series 805 Mighty Mouse Triple-Start In-Line Receptacle Dimensions

805-003-01 and 805-004-01



*Grommet protrudes for power/combo arrangements

DIMENSIONS

Shell Size	Ø A		B		C Threads	Ø D		E Threads Accessory
	In.	mm.	In.	mm.		In.	mm.	
8	.540	13.72	.510	12.95	.5000-.1P-.3L-TS-2A	.316	8.05	.3750-32 UNEF-2A
9	.605	15.37	.575	14.61	.5625-.1P-.3L-TS-2A	.397	10.08	.4375-28 UNEF-2A
10	.668	16.96	.638	16.21	.6250-.1P-.3L-TS-2A	.472	12.01	.5000-28 UNEF-2A
11	.730	18.54	.700	17.78	.6875-.1P-.3L-TS-2A	.519	13.18	.5625-24 UNEF-2A
12	.793	20.14	.763	19.38	.7500-.1P-.3L-TS-2A	.585	14.86	.6250-24 UNEF-2A
15	.980	24.89	.950	24.13	.9375-.1P-.3L-TS-2A	.687	17.45	.7500-20 UNEF-2A
18	1.165	29.59	1.135	28.83	1.1250-.1P-.3L-TS-2A	.884	22.45	.9375-20 UNEF-2A
19	1.235	31.37	1.205	30.61	1.1875-.1P-.3L-TS-2A	.884	22.45	.9375-20 UNEF-2A
23	1.485	37.72	1.455	36.96	1.4375-.1P-.3L-TS-2A	1.134	28.80	1.1875-18 UNEF-2A

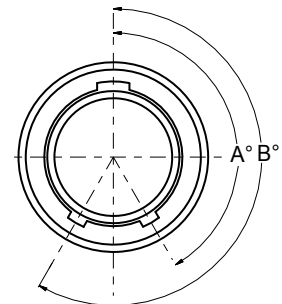
PERFORMANCE SPECIFICATIONS

DWV	#23 500 VAC Sea level, #20HD 750 VAC, #12 AND #16 1800 VAC
Insulation Resistance	5000 Megohms Minimum
Operating Temperature	-55° C. to +150° C.
Immersion, Mated	MIL-STD-810 Method 512. One Meter for One Hour.
EMI	65 dB Minimum from 1 GHz. to 10 GHz.

MATERIALS AND FINISHES

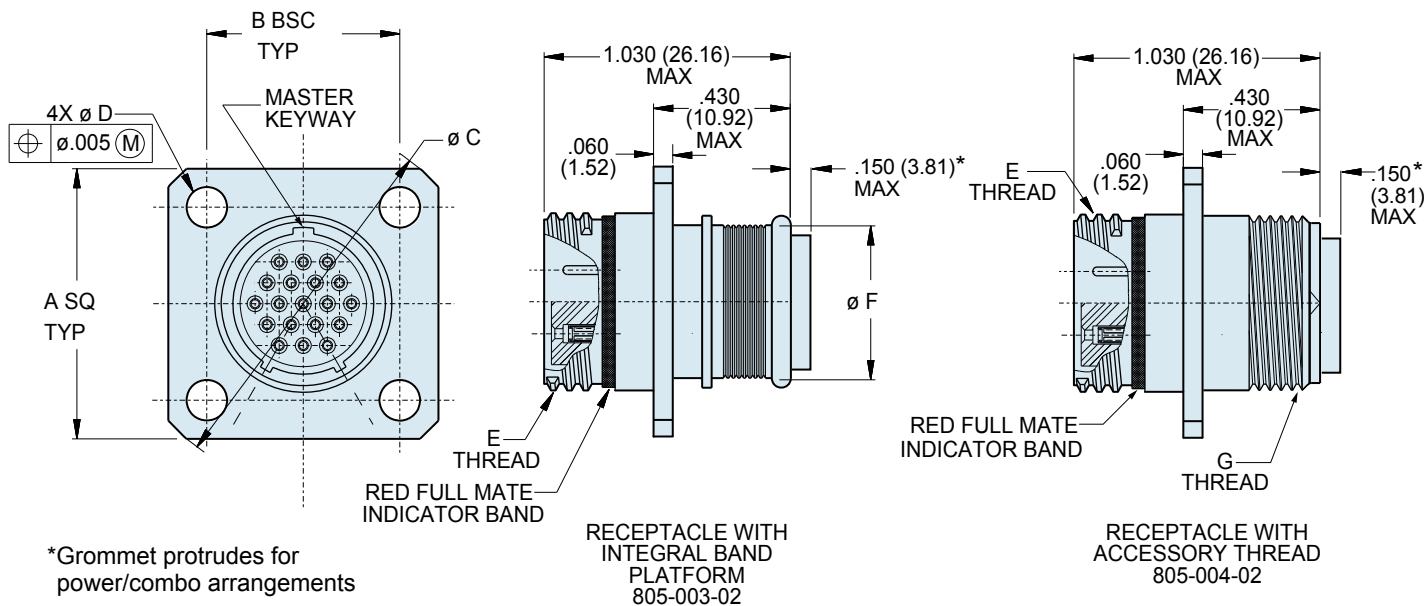
Connector Shell	Aluminum or Stainless Steel
Insulator	Liquid Crystal Polymer (LCP)
Seals	Fluorosilicone Rubber, Blue
Pin Contact	Copper Alloy, Gold over Nickel Plating
Socket Contact	Copper Alloy, Gold over Nickel Plating, with SST Hood
Contact Retainer Clip	Beryllium Copper, Unplated

SERIES 805 KEY POSITIONS



Key Position	Key Rotation	
	A	B
Normal (A)	150°	210°
B	75°	210°
C	95°	230°
D	140°	275°

Dimensions in inches (millimeters) and are subject to change without notice.



DIMENSIONS

Shell Size	A		B		ØC		ØD		E Threads	Ø F		G Threads Accessory
	In.	mm.	In.	mm.	In.	mm.	In. ± .003	mm. ± .08		In.	mm.	
8	.850	21.59	.660	16.76	1.150	29.21	.094	2.39	.5000-.1P-.3L-TS-2A	.316	8.05	.3750-32 UNEF-2A
9	.913	23.19	.723	18.36	1.230	31.24	.094	2.39	.5625-.1P-.3L-TS-2A	.397	10.08	.4375-28 UNEF-2A
10	.975	24.77	.785	19.94	1.330	33.78	.094	2.39	.6250-.1P-.3L-TS-2A	.472	12.01	.5000-28 UNEF-2A
11	1.039	26.39	.848	21.54	1.410	35.81	.094	2.39	.6875-.1P-.3L-TS-2A	.519	13.18	.5625-24 UNEF-2A
12	1.099	27.91	.909	23.09	1.500	38.10	.094	2.39	.7500-.1P-.3L-TS-2A	.585	14.86	.6250-24 UNEF-2A
15	1.288	32.74	1.058	26.87	1.750	44.45	.128	3.25	.9375-.1P-.3L-TS-2A	.687	17.45	.7500-20 UNEF-2A
18	1.475	37.47	1.255	31.88	2.000	50.80	.128	3.25	1.1250-.1P-.3L-TS-2A	.884	22.45	.9375-20 UNEF-2A
19	1.537	71.06	1.327	33.71	2.094	53.19	.128	3.25	1.1875-.1P-.3L-TS-2A	.884	22.45	.9375-20 UNEF-2A
23	1.787	45.39	1.570	39.88	2.440	61.98	.128	3.25	1.4375-.1P-.3L-TS-2A	1.134	28.80	1.1875-18 UNEF-2A

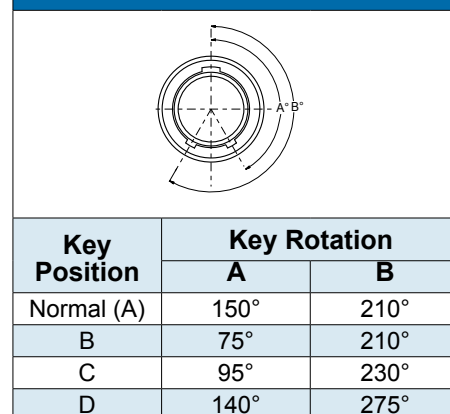
PERFORMANCE SPECIFICATIONS

DWV	#23 500 VAC Sea level, #20HD 750 VAC, #12 AND #16 1800 VAC
Insulation Resistance	5000 Megohms Minimum
Operating Temperature	-55° C. to +150° C.
Immersion, Mated	MIL-STD-810 Method 512. One Meter for One Hour.
EMI	65 dB Minimum from 1 GHz. to 10 GHz.

MATERIALS AND FINISHES

Connector Shell	Aluminum or Stainless Steel
Insulator	Liquid Crystal Polymer (LCP)
Seals	Fluorosilicone Rubber, Blue
Contact	Copper Alloy, Gold over Nickel Plating
Contact Retainer Clip	Beryllium Copper, Unplated

SERIES 805 KEY POSITIONS



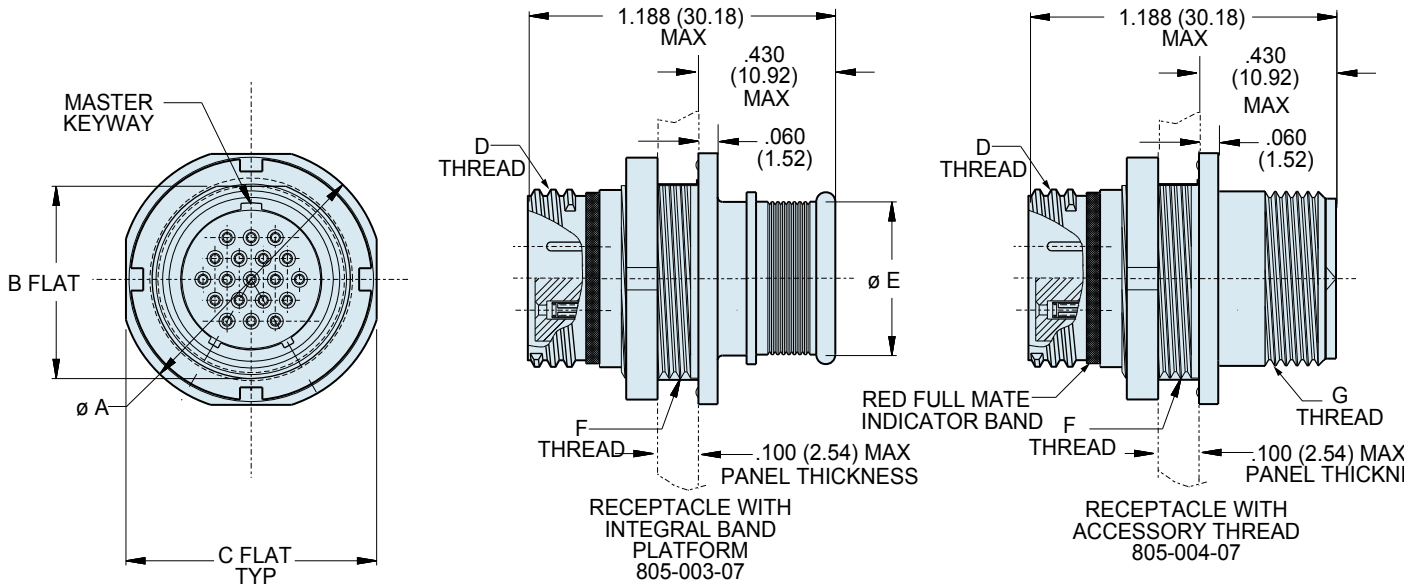
Dimensions in inches (millimeters) and are subject to change without notice.

Series 805 Mighty Mouse Triple-Start Jam Nut Receptacle Dimensions

805-003-07 and 805-004-07



Series 805



DIMENSIONS

Shell Size	Ø A		B		C		D Threads	Ø E		F Threads	G Threads Accessory
	In.	mm.	In.	mm.	In.	mm.		In.	mm.		
8	.760	19.30	.535	13.59	.730	18.54	.5000-1P-.3L-TS-2A	.317	8.05	.5625-28 UNEF-2A	.3750-32 UNEF-2A
9	.880	22.35	.661	16.79	.850	21.59	.5625-1P-.3L-TS-2A	.397	10.08	.6875-28 UN-2A	.4375-28 UNEF-2A
10	.880	22.35	.661	16.79	.850	21.59	.6250-1P-.3L-TS-2A	.473	12.01	.6875-28 UN-2A	.5000-28 UNEF-2A
11	.955	24.26	.721	18.31	.925	23.50	.6875-1P-.3L-TS-2A	.519	13.18	.7500-28 UN-2A	.5625-24 UNEF-2A
12	1.060	26.92	.784	19.91	1.035	26.29	.7500-1P-.3L-TS-2A	.585	14.86	.8125-28 UN-2A	.6250-24 UNEF-2A
15	1.203	30.56	.970	24.64	1.173	29.79	.9375-1P-.3L-TS-2A	.687	17.45	1.0000-28 UN-2A	.7500-20 UNEF-2A
18	1.389	35.28	1.147	29.13	1.359	34.52	1.1250-1P-.3L-TS-2A	.884	22.45	1.1875-28 UN-2A	.9375-20 UNEF-2A
19	1.450	36.83	1.221	31.01	1.420	36.07	1.1875-1P-.3L-TS-2A	.884	22.45	1.2500-28 UN-2A	.9375-20 UNEF-2A
23	1.705	43.31	1.470	37.34	1.675	42.55	1.4375-1P-.3L-TS-2A	1.134	28.80	1.500-25 UN-2A	1.1875-18 UNEF-2A

PANEL CUTOUT FOR JAM NUT RECEPTACLE

Shell Size	A Flat		Ø B	
	In. ± .002	mm. ± 0.05	In. ± .005	mm. ± 0.13
8	.543	13.79	.572	14.53
9	.669	16.99	.698	17.73
10	.669	16.99	.698	17.73
11	.729	18.51	.760	19.30
12	.792	20.17	.822	20.88
15	.978	24.84	1.010	25.65
18	1.155	29.34	1.198	30.43
19	1.231	31.27	1.260	32.00
23	1.480	37.59	1.510	38.35

SERIES 805 KEY POSITIONS

Key Position	Key Rotation	
	A	B
Normal (A)	150°	210°
B	75°	210°
C	95°	230°
D	140°	275°

Dimensions in inches (millimeters) and are subject to change without notice.

© 2010 Glenair, Inc.

CAGE Code 06324

Printed in U.S.A.

GLENAIR, INC. • 1211 AIR WAY • GLENDALE, CA 91201-2497 • 818-247-6000 • FAX 818-500-9912

www.glenair.com

H-11

E-Mail: sales@glenair.com

13 - FEBRUARY - 2013

Series 805 Mighty Mouse Triple-Start PCB or Solder Cup Receptacle Ordering Information

805-005 and 805-017



**Series 805 Jam Nut
PCB Receptacle Connector**

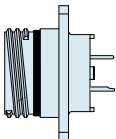
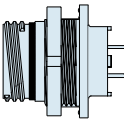
Printed Circuit Board/Solder Cup Receptacles feature low profile shells for minimum protrusion inside enclosures and integral standoffs for board washout. Contacts are non-removable.

Water Immersion, Unmated

Specify **805-005** connectors for applications where open face water immersion is not a requirement. For MIL-STD-810 Method 512G immersion requirements, specify **805-017** watertight connectors. These 805-017 connectors are specially sealed ("MOD-518") and are 100% tested to maintain a helium leak rate of 1×10^{-4} cc/second at one atmosphere pressure differential from -40C to +70C.

HOW TO ORDER

Sample Part Number

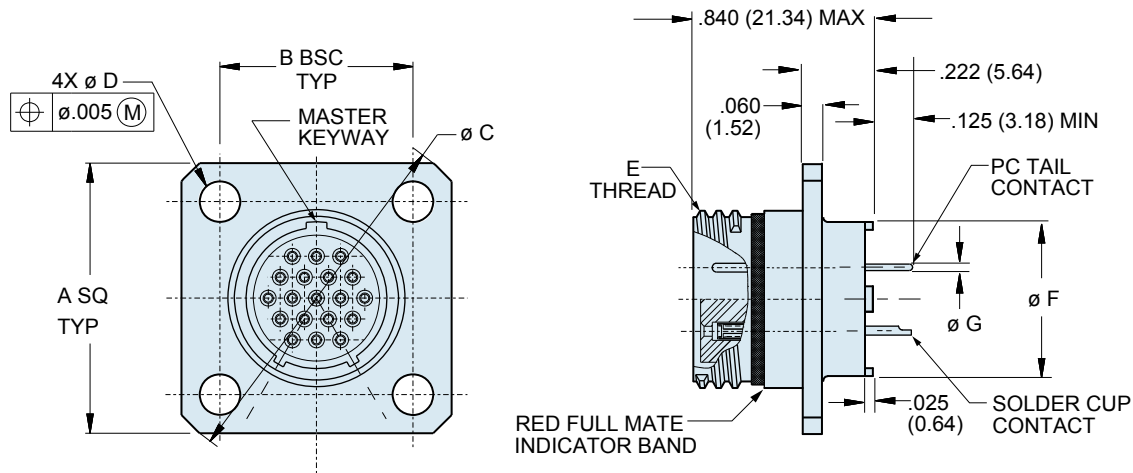
805-005	-07	M	10-13	P	B
Series	Shell Style	Shell Material / Finish	Shell Size- Insert Arrangement	Contact Type	Shell Key Position
<p>805-005 Receptacle for Solder Cup or PCB Termination, with Standard Epoxy Potting</p>	 <p style="text-align: center;">-02 Square Flange Front or Rear Mount</p>	<p style="text-align: center;">C Aluminum / Black Anodize (Non-Conductive) RoHS Compliant</p> <p style="text-align: center;">M Aluminum / Electroless Nickel RoHS Compliant</p> <p style="text-align: center;">MT Aluminum / Nickel-PTFE RoHS Compliant</p>	<p style="text-align: center;">SEE CONTACT ARRANGEMENTS PAGE H-2</p>	<p style="text-align: center;">P Pin, PC Tail</p> <p style="text-align: center;">S Socket, PC Tail</p>	<p style="text-align: center;">A Position A (Normal)</p> <p style="text-align: center;">B Position B</p> <p style="text-align: center;">C Position C</p> <p style="text-align: center;">D Position D</p>
<p>805-017 Receptacle for Solder Cup or PCB Termination, With Special "MOD-518" Sealing For Open Face (unmated) Water Immersion Requirements. 100% Leak Tested.</p>	<p style="text-align: center;">-12 Square Flange Rear Mount Non-Locking Clinch Nuts</p> <p style="text-align: center;">-22 Square Flange Rear Mount Locking Clinch Nuts</p>  <p style="text-align: center;">-07 Jam Nut Rear Mount</p>	<p style="text-align: center;">NF Aluminum / Cadmium with Olive Drab Chromate</p> <p style="text-align: center;">ZN Aluminum / Zinc-Nickel with Olive Drab Chromate</p> <p style="text-align: center;">ZNU Aluminum / Zinc-Nickel with Black Chromate</p> <p style="text-align: center;">Z1 Stainless Steel / Passivated RoHS Compliant</p> <p style="text-align: center;">ZB Stainless Steel / Olive Drab Chromate over Cadmium</p> <p style="text-align: center;">ZC Stainless Steel / Zinc Cobalt Alloy/Black Chromate</p>		<p style="text-align: center;">E Pin, Solder Cup</p> <p style="text-align: center;">F Socket, Solder Cup</p>	

Dimensions in inches (millimeters) and are subject to change without notice.

**Series 805 Mighty Mouse Triple-Start
PC Tail and Solder Cup Square Flange Receptacle**
805-005-02, 805-017-02



Series 805



SQUARE FLANGE WITH PC TAIL
OR SOLDER CUP CONTACTS
805-005-02
805-017-02

DIMENSIONS

Shell Size	A		B		Ø C		Ø D		E Threads	Ø F		Ø G Tail Dia.
	In.	mm.	In.	mm.	In.	mm.	In. ± .003	mm. ± .08		In.	mm.	
8	.850	21.59	.660	16.76	1.150	29.21	.094	2.39	.5000-.1P-.3L-TS-2A	.330	8.38	#23
9	.913	23.19	.723	18.36	1.230	31.24	.094	2.39	.5625-.1P-.3L-TS-2A	.432	10.97	.018/.022 (0.46/0.56)
10	.975	24.77	.785	19.94	1.330	33.78	.094	2.39	.6250-.1P-.3L-TS-2A	.493	12.52	#20
11	1.039	26.39	.848	21.54	1.410	35.81	.094	2.39	.6875-.1P-.3L-TS-2A	.551	14.00	.024/.028 (0.61/0.71)
12	1.099	27.91	.909	23.09	1.500	38.10	.094	2.39	.7500-.1P-.3L-TS-2A	.620	15.78	#16
15	1.288	32.74	1.058	26.87	1.750	44.45	.128	3.25	.9375-.1P-.3L-TS-2A	.703	17.86	.060/.064 (1.52/1.63)
18	1.475	37.47	1.255	31.88	2.000	50.80	.128	3.25	1.1250-.1P-.3L-TS-2A	.863	21.92	#12
19	1.537	71.06	1.327	33.71	2.094	53.19	.128	3.25	1.1875-.1P-.3L-TS-2A	.912	23.16	.092/.096 (2.34/2.44)
23	1.787	45.39	1.570	39.88	2.440	61.98	.128	3.25	1.4375-.1P-.3L-TS-2A	1.162	29.51	

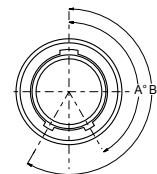
PERFORMANCE SPECIFICATIONS

DWV	#23 500 VAC Sea level, #20HD 750 VAC, #12 AND #16 1800 VAC
Insulation Resistance	5000 Megohms Minimum
Operating Temperature	-55° C. to +150° C.
Immersion, Mated	MIL-STD-810 Method 512. One Meter for One Hour.
EMI	65 dB Minimum from 1 GHz. to 10 GHz.

MATERIALS AND FINISHES

Connector Shell	Aluminum or Stainless Steel
Insulator	Liquid Crystal Polymer (LCP)
Seals	Fluorosilicone Rubber, Blue
Contact	Copper Alloy, Gold over Nickel Plating
Contact Retainer Clip	Beryllium Copper, Unplated

SERIES 805 KEY POSITIONS



Key Position	Key Rotation	
	A	B
Normal (A)	150°	210°
B	75°	210°
C	95°	230°
D	140°	275°

Dimensions in inches (millimeters) and are subject to change without notice.

© 2010 Glenair, Inc.

CAGE Code 06324

Printed in U.S.A.

GLENAIR, INC. • 1211 AIR WAY • GLENDALE, CA 91201-2497 • 818-247-6000 • FAX 818-500-9912

www.glenair.com

H-13

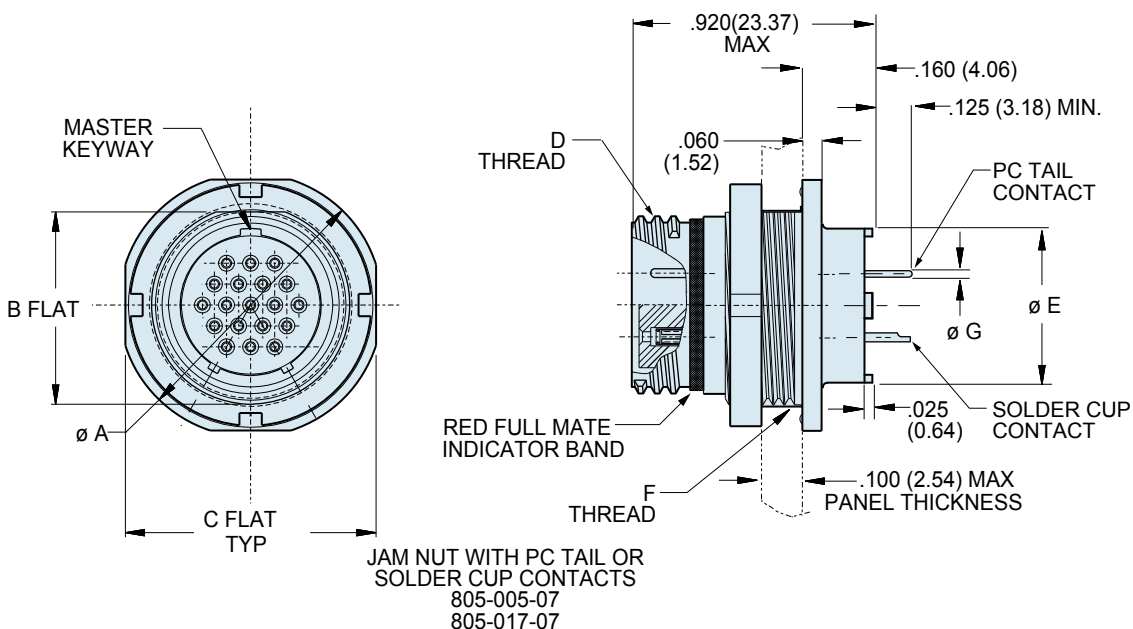
E-Mail: sales@glenair.com

13 - FEBRUARY - 2013

H



**Series 805 Mighty Mouse Triple-Start
PC Tail and Solder Cup Jam Nut Receptacle**
805-005-07, 805-017-07



DIMENSIONS

Shell Size	Ø A		B		C		D Threads	Ø E		F Threads	Ø G Tail Dia.
	In.	mm.	In.	mm.	In.	mm.		In.	mm.		
8	.760	19.30	.535	13.59	.730	18.54	.5000-1P-3L-TS-2A	.330	8.38	.5625-28 UNEF-2A	#23
9	.880	22.35	.661	16.79	.850	21.59	.5625-1P-3L-TS-2A	.432	10.97	.6875-28 UN-2A	.018/.022 (0.46/0.56)
10	.880	22.35	.661	16.79	.850	21.59	.6250-1P-3L-TS-2A	.493	12.52	.6875-28 UN-2A	#20
11	.955	24.26	.721	18.31	.925	23.50	.6875-1P-3L-TS-2A	.551	14.00	.7500-28 UN-2A	.024/.028 (0.61/0.71)
12	1.060	26.92	.784	19.91	1.035	26.29	.7500-1P-3L-TS-2A	.620	15.78	.8125-28 UN-2A	#16
15	1.203	30.56	.970	24.64	1.173	29.79	.9375-1P-3L-TS-2A	.703	17.86	1.0000-28 UN-2A	.060/.064 (1.52/1.63)
18	1.389	35.28	1.147	29.13	1.359	34.52	1.1250-1P-3L-TS-2A	.863	21.92	1.1875-28 UN-2A	#12
19	1.450	36.83	1.221	31.01	1.420	36.07	1.1875-1P-3L-TS-2A	.912	23.16	1.2500-28 UN-2A	
23	1.705	43.31	1.470	37.34	1.675	42.55	1.4375-1P-3L-TS-2A	1.162	29.51	1.500-25 UN-2A	.092/.096 (2.34/2.44)

PANEL CUTOUT FOR JAM NUT RECEPTACLE

Shell Size	A Flat		Ø B	
	In. ± .002	mm. ± 0.05	In. ± .005	mm. ± 0.13
8	.543	13.79	.572	14.53
9	.669	16.99	.698	17.73
10	.669	16.99	.698	17.73
11	.729	18.51	.760	19.30
12	.792	20.17	.822	20.88
15	.978	24.84	1.010	25.65
18	1.155	29.34	1.198	30.43
19	1.229	31.22	1.260	32.00
23	1.480	37.59	1.510	38.35

SERIES 805 KEY POSITIONS

Key Position	Key Rotation	
	A	B
Normal (A)	150°	210°
B	75°	210°
C	95°	230°
D	140°	275°

Dimensions in inches (millimeters) and are subject to change without notice.

**Series 805 Mighty Mouse Double-Start ACME Threads
Jam Nut Mount • Heli-Coil Inserts • Fixed Contacts
Shell Sizes 8-23 • Ordering Information**

805-067



Series 805



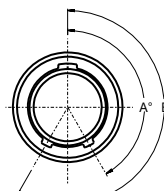
Series 805 Jam Nut

This Series 805 Backpotted Receptacle features a choice of 304L stainless steel or aluminum alloy shells, fused vitreous glass insulators and gold plated copper alloy non-removable contacts.

Popular Jam Nut Mount Style Mates with all quick coupling high density plug connectors with the same

polarization and opposite contact gender (805-001 and 805-002).

Pin/PC Tail, Socket/PC Tail, Pin/Solder Cup or **Socket/Solder Cup Contacts** for attachment to flexible or rigid circuits or rigid boards.

HOW TO ORDER																										
Sample Part Number																										
805-067	-07	Z1	7-10	P	A																					
Series	Shell Style	Shell Material / Finish	Shell Size/Insert Arrangement	Contact Type	Shell Key Position																					
805-067 Receptacle with Printed Circuit Board Contacts or Solder Cup Contacts	-07 Jam Nut	C Aluminum / Black Anodize (Non-Conductive) RoHS Compliant M Aluminum / Electroless Nickel RoHS Compliant MT Aluminum / Nickel-PTFE RoHS Compliant NF Aluminum / Cadmium with Olive Drab Chromate ZN Aluminum / Zinc-Nickel with Olive Drab Chromate ZNU Aluminum / Zinc-Nickel with Black Chromate Z1 Stainless Steel / Passivated RoHS Compliant ZB Stainless Steel / Olive Drab Chromate over Cadmium ZC Stainless Steel / Zinc Cobalt Alloy/Black Chromate	SEE CONTACT ARRANGEMENTS PAGE H-2	P Pin, PC Tail S Socket, PC Tail E Pin, Solder Cup F Socket, Solder Cup	A Normal B Pos. B C Pos. C D Pos. D E Pos. E F Pos. F  <table border="1"> <thead> <tr> <th></th> <th>A°</th> <th>B°</th> </tr> </thead> <tbody> <tr> <td>A</td> <td>150°</td> <td>210°</td> </tr> <tr> <td>B</td> <td>75°</td> <td>210°</td> </tr> <tr> <td>C</td> <td>95°</td> <td>230°</td> </tr> <tr> <td>D</td> <td>140°</td> <td>275°</td> </tr> <tr> <td>E</td> <td>75°</td> <td>275°</td> </tr> <tr> <td>F</td> <td>95°</td> <td>210°</td> </tr> </tbody> </table>		A°	B°	A	150°	210°	B	75°	210°	C	95°	230°	D	140°	275°	E	75°	275°	F	95°	210°
	A°	B°																								
A	150°	210°																								
B	75°	210°																								
C	95°	230°																								
D	140°	275°																								
E	75°	275°																								
F	95°	210°																								

Dimensions in inches (millimeters) and are subject to change without notice.

© 2010 Glenair, Inc.

CAGE Code 06324

Printed in U.S.A.

GLENAIR, INC. • 1211 AIR WAY • GLENDALE, CA 91201-2497 • 818-247-6000 • FAX 818-500-9912

www.glenair.com

H-15

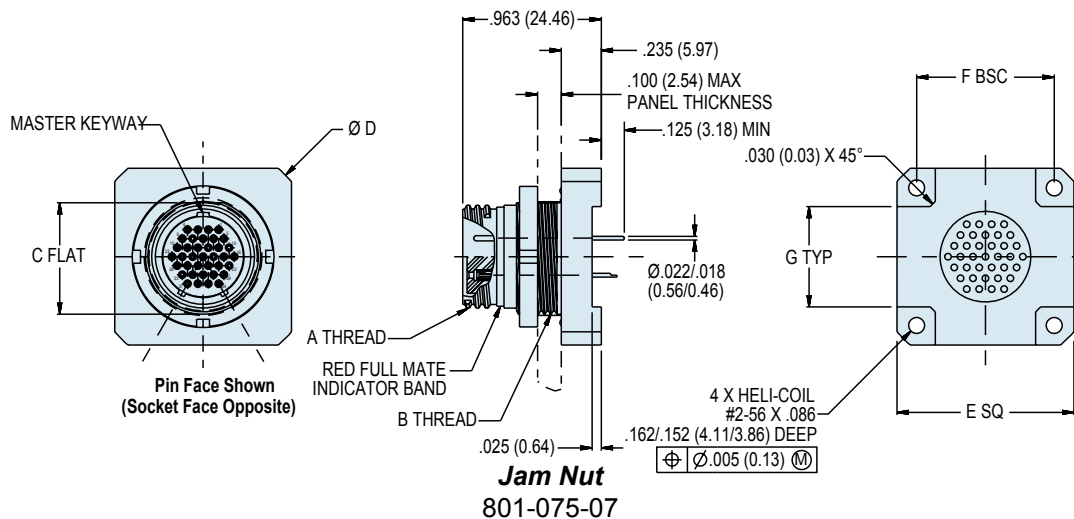
E-Mail: sales@glenair.com

13 - FEBRUARY - 2013

H



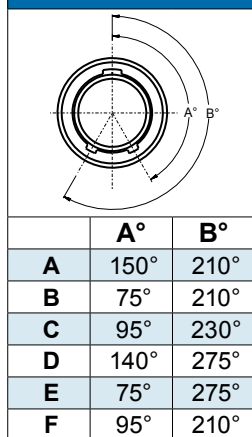
Series 805 Mighty Mouse Double-Start ACME Threads
Jam Nut Mount • Heli-Coil Inserts
Fixed Contacts • Shell Sizes 8-23
805-067-07



DIMENSIONS												
Shell Size	A Thread	B Thread	C Flat		Ø D		E SQ		F BSC		G Typ	
			In.	mm.	In.	mm.	In.	mm.	In.	mm.	In.	mm.
8	.5000-1P-.3L-TS	.5625-28 UNEF-2A	.535	13.59	.920	23.37	.729	18.52	.496	12.60	.276	7.01
9	.5625-1P-.3L-TS	.6875-28 UN-2A	.661	16.79	1.110	28.19	.859	15.93	.627	15.93	.407	10.34
10	.6250-1P-.3L-TS	.6875-28 UN-2A	.661	16.79	1.110	28.19	.859	15.93	.627	15.93	.407	10.34
11	.6875-1P-.3L-TS	.7500-28 UN-2A	.721	18.31	1.200	30.48	.930	23.62	.698	17.73	.478	12.14
12	.7500-1P-.3L-TS	.8125-28 UN-2A	.784	19.91	1.370	34.80	1.044	26.52	.812	20.62	.592	15.04
13	.8125-1P-.3L-TS	.8750-28 UN-2A	.843	21.41	1.420	36.07	1.085	27.56	.853	21.67	.633	16.08
15	.9375-1P-.3L-TS	1.0000-28 UN-2A	.970	24.64	1.560	39.62	1.175	29.85	.943	23.95	.723	18.36
18	1.1250-1P-.3L-TS	1.1875-28 UN-2A	1.147	29.13	1.800	45.72	1.351	34.32	1.119	28.42	.899	22.83
19	1.1875-1P-.3L-TS	1.2500-28 UN-2A	1.221	31.01	1.880	47.75	1.407	35.74	1.175	29.85	.955	24.26
21	1.3125-1P-.3L-TS	1.3750-28 UN-2A	1.350	34.29	2.090	53.09	1.550	39.37	1.318	33.48	1.098	27.89
23	1.4375-1P-.3L-TS	1.5000-28 UN-2A	1.470	37.34	2.270	57.66	1.680	42.67	1.448	36.78	1.228	31.19

H

KEY POSITIONS



SERIES 801 JAM NUT PANEL CUTOUT

Shell Size	H Flat		Ø J	
	In.	mm.	In.	mm.
8	.545/.541	13.84/13.74	.573	14.55
9	.671/.667	17.04/16.94	.698	17.73
10	.671/.667	17.04/16.94	.698	17.73
11	.731/.727	18.57/18.47	.760	19.30
12	.794/.790	20.17/20.07	.823	20.90
13	.853/.849	21.67/21.56	.885	22.48
15	.980/.976	24.89/24.79	1.010	25.65
18	1.157/1.153	29.39/29.29	1.198	30.43
19	1.231/1.227	31.27/31.17	1.260	32.00
21	1.360/1.357	34.54/34.47	1.385	35.18
23	1.480/1.476	37.59/37.49	1.510	38.35

Dimensions in inches (millimeters) and are subject to change without notice.

Series 805 Mighty Mouse Triple-Start Hermetic Receptacle Ordering Information

805-006



Series 805



Series 805 Hermetic Jam Nut Connector

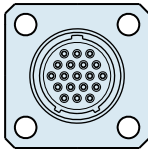
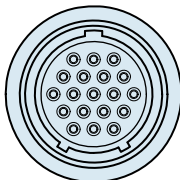
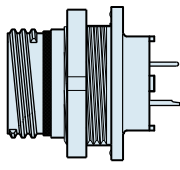
Series 805 Hermetic Receptacles feature 304L stainless steel shells, fused vitreous glass insulators and Alloy 52 iron alloy contacts. Triple-start ACME thread provides fast mating and cross-threading protection. Mating plug connectors feature EMI springs and ratcheting anti-decoupling mechanism for resistance to vibration. 1000 PSI open face pressure. Fluorosilicone seals for water ingress protection. Contacts are gold-plated 50 microinches minimum.

1 X 10⁻⁷ cc/second maximum helium leak rate.

Solder Cup Contacts or **PC Tail Contacts** for attachment to flexible or rigid circuits.

HOW TO ORDER SERIES 805 HERMETIC RECEPTACLES

Sample Part Number

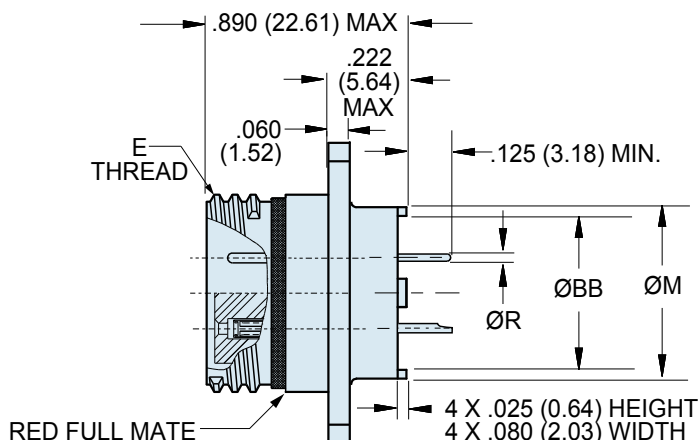
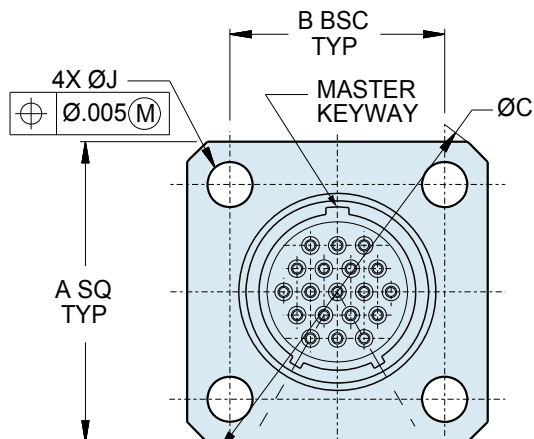
805-006	-07	Z1	12-26	C	A
Series	Shell Style	Shell Material / Finish	Shell Size- Insert Arrangement	Contact Type	Shell Key Position
805-006 Hermetic Receptacle	 -02 Square Flange  -03 Solder Mount  -07 Jam Nut	Z1 Stainless Steel / Passivated ZL Stainless Steel / Nickel Plated	SEE CONTACT ARRANGEMENTS PAGE H-2	P Pin, Solder Cup C Pin, PC Tail S Socket, Solder Cup D Socket, PC Tail	A Position A (Normal) B Position B C Position C D Position D

Dimensions in inches (millimeters) and are subject to change without notice.

H



**Series 805 Mighty Mouse Triple-Start
Flange Mount Hermetic Receptacles**
805-006-02 Connector Dimensions



DIMENSIONS

Shell Size	A		B		Ø C		Ø D		E Threads	Ø F		Ø G Tail Dia.
	In.	mm.	In.	mm.	In.	mm.	In. ± .003	mm. ± .08		In.	mm.	
8	.850	21.59	.660	16.76	1.150	29.21	.094	2.39	.5000-.1P-.3L-TS-2A	.330	8.38	#23
9	.913	23.19	.723	18.36	1.230	31.24	.094	2.39	.5625-.1P-.3L-TS-2A	.432	10.97	.018/.022 (0.46/0.56)
10	.975	24.77	.785	19.94	1.330	33.78	.094	2.39	.6250-.1P-.3L-TS-2A	.493	12.52	#20
11	1.039	26.39	.848	21.54	1.410	35.81	.094	2.39	.6875-.1P-.3L-TS-2A	.551	14.00	.024/.028 (0.61/0.71)
12	1.099	27.91	.909	23.09	1.500	38.10	.094	2.39	.7500-.1P-.3L-TS-2A	.620	15.78	#16
15	1.288	32.74	1.058	26.87	1.750	44.45	.128	3.25	.9375-.1P-.3L-TS-2A	.703	17.86	.060/.064 (1.52/1.63)
18	1.475	37.47	1.255	31.88	2.000	50.80	.128	3.25	1.1250-.1P-.3L-TS-2A	.863	21.92	#12
19	1.537	71.06	1.327	33.71	2.094	53.19	.128	3.25	1.1875-.1P-.3L-TS-2A	.912	23.16	.092/.096 (2.34/2.44)
23	1.787	45.39	1.570	39.88	2.440	61.98	.128	3.25	1.4375-.1P-.3L-TS-2A	1.162	29.51	

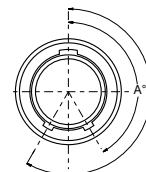
PERFORMANCE SPECIFICATIONS

DWV (VAC Sea Level)	#23 500 V., #20HD 750 V., #12 AND #16 1800 V.
Insulation Resistance	5000 Megohms Minimum
Operating Temperature	-55° C. to +150° C.
Immersion, Mated	MIL-STD-810 Method 512. One Meter for One Hour.
Hermeticity	1 x 10 ⁻⁷ cc/sec Helium Leak Rate @ 1 Atmosphere Diff.

MATERIALS AND FINISHES

Shell	304L Stainless Steel
Insulator	Fused Vitreous Glass
Seals	Fluorosilicone Rubber, Blue
Contacts	Iron Alloy (Alloy 52)

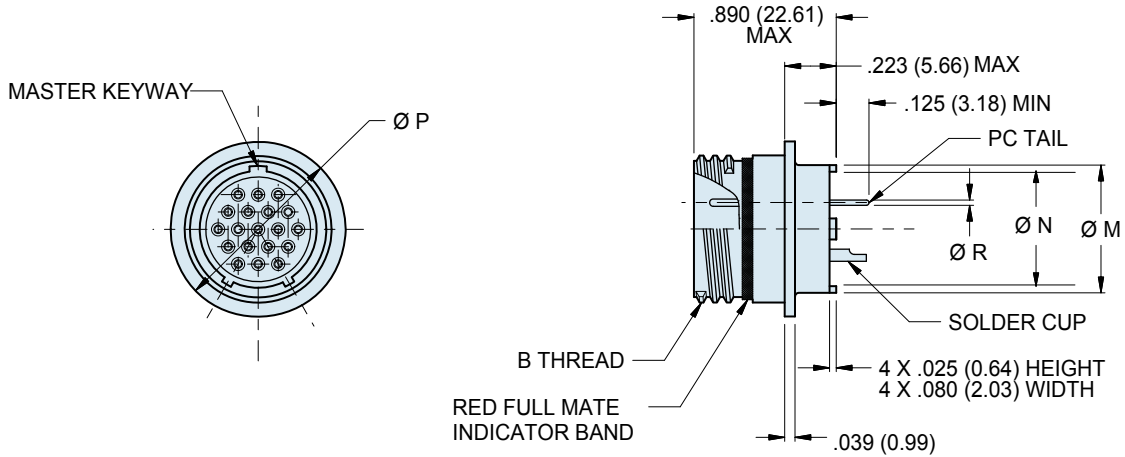
SERIES 805 KEY POSITIONS



Key Position	Key Rotation	
	A	B
Normal (A)	150°	210°
B	75°	210°
C	95°	230°
D	140°	275°

Dimensions in inches (millimeters) and are subject to change without notice.

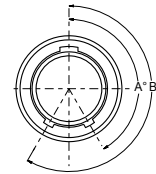
**Series 805 Mighty Mouse Triple-Start
Solder Mount Hermetic Receptacles**
805-006-03 Connector Dimensions



DIMENSIONS

Shell Size	Ø A		B Threads	Ø C		Ø D Tail Dia.
	In.	mm.		In.	mm.	
8	.625	15.88	.5000-.1P-.3L-TS-2A	.330	8.38	#23 .018/.022 (0.46/0.56)
9	.688	17.48	.5625-.1P-.3L-TS-2A	.432	10.97	
10	.750	19.75	.6250-.1P-.3L-TS-2A	.493	12.52	#20 .024/.028 (0.61/0.71)
11	.812	20.62	.6875-.1P-.3L-TS-2A	.551	14.00	
12	.875	22.23	.7500-.1P-.3L-TS-2A	.620	15.78	#16 .060/.064 (1.52/1.63)
15	1.062	26.97	.9375-.1P-.3L-TS-2A	.703	17.86	
18	1.250	31.75	1.1250-.1P-.3L-TS-2A	.863	21.92	#12 .092/.096 (2.34/2.44)
19	1.312	33.32	1.1875-.1P-.3L-TS-2A	.912	23.16	
21	1.438	36.53	1.3125-.1P-.3L-TS-2A	1.017	25.83	
23	1.562	39.67	1.4375-.1P-.3L-TS-2A	1.162	29.51	

SERIES 805 KEY POSITIONS

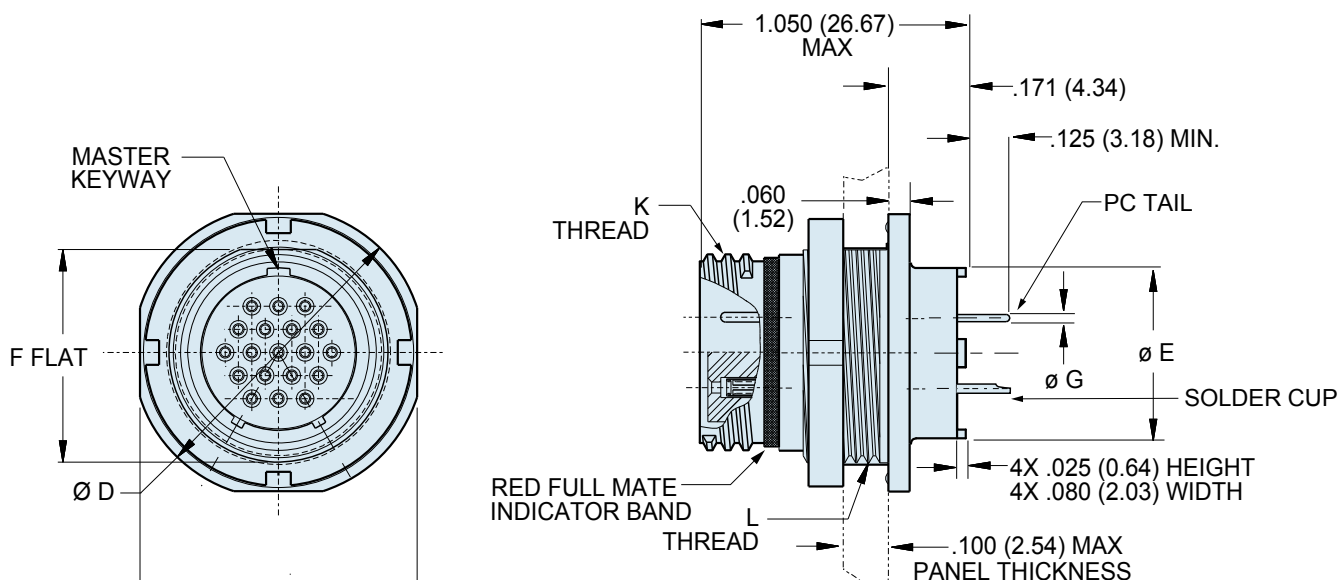


Key Position	Key Rotation	
	A	B
Normal (A)	150°	210°
B	75°	210°
C	95°	230°
D	140°	275°

Dimensions in inches (millimeters) and are subject to change without notice.



Series 805 Mighty Mouse Triple-Start Jam Nut Mount Hermetic Receptacles
805-006-07 Connector Dimensions



DIMENSIONS

Shell Size	Ø A		B		C		D Threads	Ø E		F Threads	Ø G Tail Dia.
	In.	mm.	In.	mm.	In.	mm.		In.	mm.		
8	.760	19.30	.535	13.59	.730	18.54	.5000-1P-3L-TS-2A	.330	8.38	.5625-28 UNEF-2A	#23
9	.880	22.35	.661	16.79	.850	21.59	.5625-1P-3L-TS-2A	.432	10.97	.6875-28 UN-2A	.018/.022 (0.46/0.56)
10	.880	22.35	.661	16.79	.850	21.59	.6250-1P-3L-TS-2A	.493	12.52	.6875-28 UN-2A	#20
11	.955	24.26	.721	18.31	.925	23.50	.6875-1P-3L-TS-2A	.551	14.00	.7500-28 UN-2A	.024/.028 (0.61/0.71)
12	1.060	26.92	.784	19.91	1.035	26.29	.7500-1P-3L-TS-2A	.620	15.78	.8125-28 UN-2A	#16
15	1.203	30.56	.970	24.64	1.173	29.79	.9375-1P-3L-TS-2A	.703	17.86	1.0000-28 UN-2A	.060/.064 (1.52/1.63)
18	1.389	35.28	1.147	29.13	1.359	34.52	1.1250-1P-3L-TS-2A	.863	21.92	1.1875-28 UN-2A	#12
19	1.450	36.83	1.221	31.01	1.420	36.07	1.1875-1P-3L-TS-2A	.912	23.16	1.2500-28 UN-2A	.092/.096 (2.34/2.44)
23	1.705	43.31	1.470	37.34	1.675	42.55	1.4375-1P-3L-TS-2A	1.162	29.51	1.500-25 UN-2A	

PANEL CUTOUT FOR JAM NUT RECEPTACLE

Shell Size	A Flat		Ø B	
	In. ± .002	mm. ± 0.05	In. ± .005	mm. ± 0.13
8	.543	13.79	.572	14.53
9	.669	16.99	.698	17.73
10	.669	16.99	.698	17.73
11	.729	18.51	.760	19.30
12	.792	20.17	.822	20.88
15	.978	24.84	1.010	25.65
18	1.155	29.34	1.198	30.43
19	1.229	31.22	1.260	32.00
23	1.480	37.59	1.510	38.35

SERIES 805 KEY POSITIONS

Key Position	Key Rotation	
	A	B
Normal (A)	150°	210°
B	75°	210°
C	95°	230°
D	140°	275°

Dimensions in inches (millimeters) and are subject to change without notice.

**Series 805 Mighty Mouse Triple-Start
Sav-Con® Connector Saver Ordering Information**
805-010



805-010 Sav-Con®

Glenair Sav-Con® Connector Savers are designed to protect connectors that are subject to repeated mating and unmating cycles. Sav-Con® Connector Savers prevent costly repair or replacement of expensive connectors while preserving the quality and integrity of the connector by absorbing connect and disconnect abuse.

Protect Equipment

Equipment connectors that are mated frequently during manufacturing, test, check-out phases and environmental test programs can be protected by Glenair Sav-Con® Connector Savers.

Prolong the Service Life of Test Cables

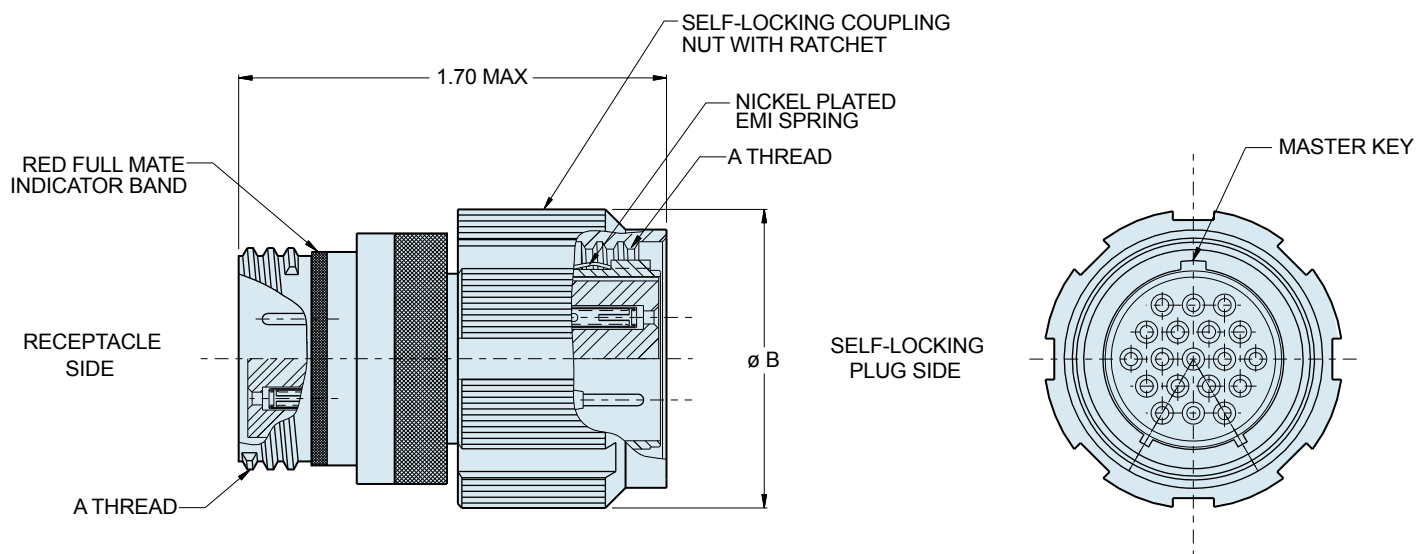
Glenair Sav-Con® Connector Savers mated to test-cable connectors take the punishment of repetitive matings and unmatings.

HOW TO ORDER SERIES 805 SAV-CON® CONNECTORS

Sample Part Number

805-010	Z1	12-26	P	A
Series	Shell Material / Finish	Shell Size- Insert Arrangement	Contact Type	Shell Key Position
805-010 Series 805 Connector Saver	<p>C Aluminum / Black Anodize (Non-Conductive) RoHS Compliant</p> <p>M Aluminum / Electroless Nickel RoHS Compliant</p> <p>NF Aluminum / Cadmium with Olive Drab Chromate</p> <p>ZN Aluminum / Zinc-Nickel with Olive Drab Chromate</p> <p>ZNU Aluminum / Zinc-Nickel with Black Chromate</p> <p>MT Aluminum / Nickel-PTFE RoHS Compliant</p> <p>Z1 Stainless Steel / Passivated RoHS Compliant</p>	<p>SEE CONTACT ARRANGEMENTS PAGE H-2</p>	<p>P Pin Contact on Plug Side, Socket Contact on Receptacle Side</p> <p>S Socket Contact on Plug Side, Pin Contact on Receptacle Side</p>	<p>A Position A (Normal)</p> <p>B Position B</p> <p>C Position C</p> <p>D Position D</p>

Dimensions in inches (millimeters) and are subject to change without notice.



DIMENSIONS

Shell Size	A Threads	Ø B	
		In.	mm.
8	.5000-.1P-.3L-TS	.691	17.55
9	.5625-.1P-.3L-TS	.787	19.99
10	.6250-.1P-.3L-TS	.826	20.98
11	.6875-.1P-.3L-TS	.916	23.27
12	.7500-.1P-.3L-TS	.982	24.94
15	.9375-.1P-.3L-TS	1.097	27.86
18	1.1250-.1P-.3L-TS	1.290	32.77
19	1.1875-.1P-.3L-TS	1.310	33.27
23	1.4375-.1P-.3L-TS	1.562	39.67

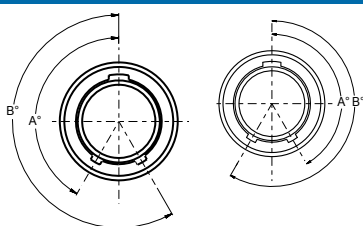
SPECIFICATIONS

Current Rating	#23 5 AMPS, #16 13 A., #12 23 A.
Dielectric Withstanding Voltage	#23 500 VAC RMS, #12 and #16 1800 VAC
Insulation Resistance	5000 megohms minimum
Operating Temperature	-55° C. to +150° C.
Shock	300 g.
Vibration	37 g.
Shielding Effectiveness	65 dB minimum from 1GHz to 10GHz.
Magnetic Permeability	2.0 µ maximum
Durability	2000 mating cycles

MATERIALS AND FINISHES

Shells, Jam Nuts	Aluminum alloy or stainless steel
Contacts	Copper alloy, 50 µInch gold plated
Insulators	Liquid crystal polymer (LCP)
Seal	Fluorosilicone rubber
Ground Spring	Nickel-plated beryllium copper
See Series 80 General Information for complete material and finish specs.	

SERIES 805 KEY POSITIONS



PLUG

RECEPTACLE

Key Position	Key Rotation	
	A	B
Normal (A)	150°	210°
B	75°	210°
C	95°	230°
D	140°	275°

Dimensions in inches (millimeters) and are subject to change without notice.

**Series 805 Mighty Mouse Triple-Start
Overmolded Cordset Ordering Information**
805-009



Abrasion-Resistant Polyurethane Jacket provides cold temperature flexibility and high strength. Low smoke/zero halogen material meets requirements for low toxicity.

90% Tinned Copper Braid is terminated directly to connector with stainless steel **BAND-IT®** strap.

Watertight Overmold provides strain relief and protection.

Series 805 Harsh Environment Shielded Cordsets

These overmolded cordsets withstand abrasion and chemical exposure. Low smoke zero halogen jacket reduces the amount of toxic and corrosive gasses emitted during combustion. Cable construction features silver coated stranded conductors with TFE insulation, tinned copper braid shield and extruded polyurethane jacket. Choose single-ended pigtails or double-ended "back-to-back" versions. Braid shield is attached directly to connector with **BAND-IT®** straps. Semi-rigid polyamide overmold provides strain relief and environmental sealing.

Series 801 cordsets are now available with size #20HD, #16 and #12 contacts. Ordering information is found on the following pages.

HARSH ENVIRONMENT CORDSET SPECIFICATIONS

Cable Jacket Material	Thermoplastic Polyurethane, Black, Low-Smoke, Zero-Halogen
Cable Shield	Tin-Coated Copper Braid, 90% Minimum Coverage
Conductors	Silver Coated Stranded Wire, TFE Insulated, Per M22759/11
BAND-IT® Shield Termination Band	Stainless Steel
Current Rating	#23 5 Amps, #20HD 7.5 Amps, #16 13 Amps, #12 23 Amps
Test Voltage (Dielectric Withstanding Voltage)	#23 500 VAC, #20HD 750 VAC, #16 and #12 1800 VAC Sea Level
Insulation Resistance	200 megohms minimum
Operating Temperature	-30° C. to +105° C.
Solvent Resistance, Polyamide Overmold	Excellent Resistance to Most Solvents, Fuels, and Oils; Poor Resistance to Strong Acids and Bipolar Solvents (Alcohol)
Shielding Effectiveness	50 dB minimum from 100MHz to 1000MHz.
Cable jacket Flammability and Toxicity	Toxicity Index 3.9 per NES 713 Oxygen Index 28% per ASTM D-2863 Smoke Index 24 per NES 711

Dimensions in inches (millimeters) and are subject to change without notice.

Series 805 Mighty Mouse Triple-Start Overmolded Cordset Ordering Information

805-009 and 805-018

HOW TO ORDER 805-009 CORDSETS WITH #23 CONTACTS

Sample Part Number								
805-009	-B	A	6	M	8-4	P	A	-36
Series	End A Connector	End B Connector	Wire Size	Shell Material / Finish	Insert Arr.	Protective Cover	Shell Key Pos.	Length
805-009 Overmolded Cordset, Shielded, with Low Smoke/ Zero Halogen Jacket, with Size #23 Contacts	-A Plug, with Male Pin Contacts	A Plug, with Male Pin Contacts	2 #22 AWG	M Aluminum / Electroless Nickel	8-4 8-6 8-7	P Metal Protective Covers Included	A Position A (Normal)	Overall Length In Inches 12 Inch Min.
	-B Plug, with Female Socket Contacts	B Plug, with Female Socket Contacts	4 #24 AWG	NF Aluminum / Cadmium with Olive Drab Chromate	9-10 10-13 11-19		B Position B	
	-C Receptacle, with Male Pin Contacts	C Receptacle, with Male Pin Contacts		ZNU Aluminum / Zinc-Nickel with Black Chromate	12-26 15-37 18-55 19-85		C Position C	
	-D Receptacle, with Female Socket Contacts	D Receptacle, with Female Socket Contacts		MT Aluminum / Nickel-PTFE			D Position D	
		N No Connector (Single-Ended)		Z1 Stainless Steel / Passivated				

11-210 HOW TO ORDER 805-018 CORDSETS WITH #20HD CONTACTS

Sample Part Number								
805-018	-A	N	0	ZNU	11-210	N	B	-72
Series	End A Connector	End B Connector	Wire Size	Shell Material / Finish	Insert Arr.	Protective Cover	Shell Key Pos.	Length
805-018 Overmolded Cordset, Shielded, with Low Smoke/ Zero Halogen Jacket, with Size #20HD Contacts	-A Plug, with Male Pin Contacts	A Plug, with Male Pin Contacts	0 #20 AWG	M Aluminum / Electroless Nickel	8-23 9-25 10-28	P Metal Protective Covers Included	A Position A (Normal)	Overall Length In Inches 12 Inch Min.
	-B Plug, with Female Socket Contacts	B Plug, with Female Socket Contacts	2 #22 AWG	NF Aluminum / Cadmium with Olive Drab Chromate	11-210 15-220 18-235 19-241		B Position B	
	-C Receptacle, with Male Pin Contacts	C Receptacle, with Male Pin Contacts		ZNU Aluminum / Zinc-Nickel with Black Chromate			C Position C	
	-D Receptacle, with Female Socket Contacts	D Receptacle, with Female Socket Contacts		MT Aluminum / Nickel-PTFE			D Position D	
		N No Connector (Single-Ended)		Z1 Stainless Steel / Passivated				

Dimensions in inches (millimeters) and are subject to change without notice.

**Series 805 Mighty Mouse Triple-Start
Overmolded Cordset Ordering Information**
805-015 and 805-016



HOW TO ORDER 805-015 CORDSETS WITH #16 CONTACTS

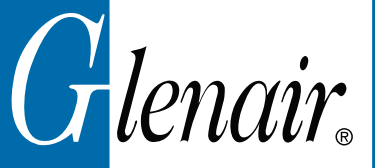
Sample Part Number								
805-015	-B	A	6	M	19-14	P	A	-36
Series	End A Connector	End B Connector	Wire Size	Shell Material / Finish	Insert Arr.	Protective Cover	Shell Key Pos.	Length
805-015 Overmolded Cordset, Shielded, with Low Smoke/ Zero Halogen Jacket, with Size #16 Contacts	-A Plug, with Male Pin Contacts	A Plug, with Male Pin Contacts	6 #16 AWG	M Aluminum / Electroless Nickel	8-1 10-2 11-4	P Metal Protective Covers Included	A Position A (Normal)	Overall Length In Inches
	-B Plug, with Female Socket Contacts	B Plug, with Female Socket Contacts	8 #18 AWG	NF Aluminum / Cadmium with Olive Drab Chromate	11-19 12-5 15-7	N No Covers Supplied	B Position B	12 Inch Min.
	-C Receptacle, with Male Pin Contacts	C Receptacle, with Male Pin Contacts		ZNU Aluminum / Zinc-Nickel with Black Chromate	18-12 19-14		C Position C	
	-D Receptacle, with Female Socket Contacts	D Receptacle, with Female Socket Contacts		MT Aluminum / Nickel-PTFE			D Position D	
		N No Connector (Single-Ended)		Z1 Stainless Steel / Passivated				

HOW TO ORDER 805-016 CORDSETS WITH #12 CONTACTS

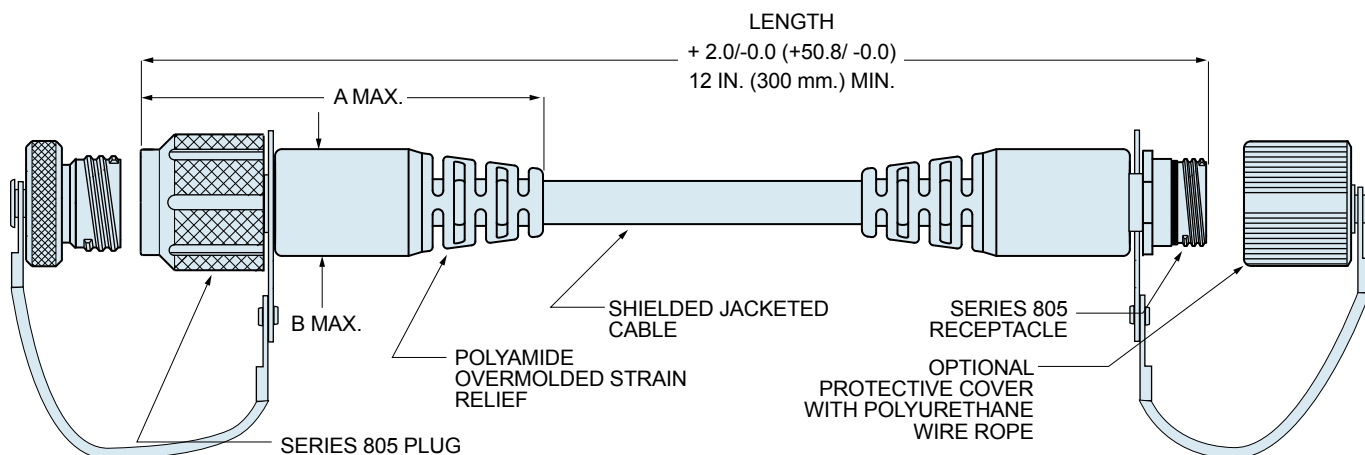
Sample Part Number								
805-016	-A	N	2	ZNU	12-2	N	B	-72
Series	End A Connector	End B Connector	Wire Size	Shell Material / Finish	Insert Arr.	Protective Cover	Shell Key Pos.	Length
805-016 Overmolded Cordset, Shielded, with Low Smoke/ Zero Halogen Jacket, with Size #12 Contacts	-A Plug, with Male Pin Contacts	A Plug, with Male Pin Contacts	2 #12 AWG	M Aluminum / Electroless Nickel	9-1 12-2 15-2	P Metal Protective Covers Included	A Position A (Normal)	Overall Length In Inches
	-B Plug, with Female Socket Contacts	B Plug, with Female Socket Contacts	4 #14 AWG	NF Aluminum / Cadmium with Olive Drab Chromate	15-3 18-5 19-7	N No Covers Supplied	B Position B	12 Inch Min.
	-C Receptacle, with Male Pin Contacts	C Receptacle, with Male Pin Contacts		ZNU Aluminum / Zinc-Nickel with Black Chromate			C Position C	
	-D Receptacle, with Female Socket Contacts	D Receptacle, with Female Socket Contacts		MT Aluminum / Nickel-PTFE			D Position D	
		N No Connector (Single-Ended)		Z1 Stainless Steel / Passivated				

Dimensions in inches (millimeters) and are subject to change without notice.

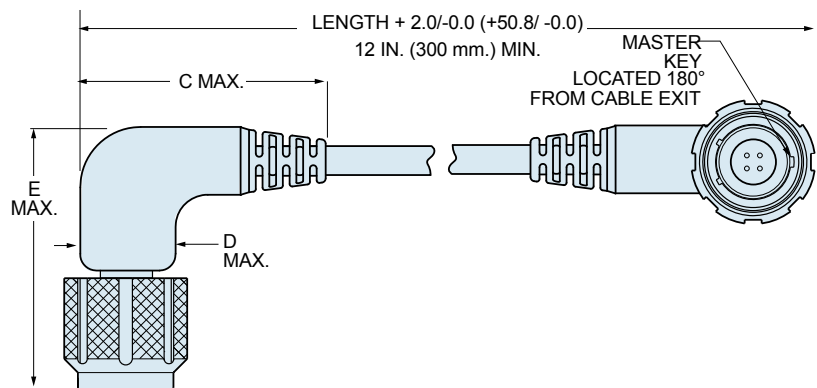




Series 805 Mighty Mouse Triple-Start Threaded Overmolded Corset Dimensions



RIGHT ANGLE CORDSETS



How To Order Right Angle Cordsets
 Insert the letter "R" after the End A or End B Connector letter designator.

Example

- Straight cable 805-009-AC4NF18-55PA-72
- Right Angle 805-009-ARCR4NF18-55PA-72

DIMENSIONS

Shell Size	A Max.		B Max.		C Max.		D Max.		E Max.	
	In.	mm.	In.	mm.	In.	mm.	In.	mm.	In.	mm.
8	2.4	61.0	0.6	15.2	1.5	38.1	0.6	15.2	2.1	53.3
9	2.4	61.0	0.7	17.8	1.5	38.1	0.7	17.8	2.3	58.4
10	2.5	63.5	0.8	19.1	1.6	40.6	0.8	19.1	2.4	61.0
11	2.8	71.1	0.9	21.6	1.9	48.3	0.9	21.6	2.6	66.0
12	2.8	71.1	0.9	21.6	1.9	48.3	0.9	21.6	2.6	66.0
15	3.1	78.7	1.1	28.0	2.2	55.9	1.1	28.0	3.1	78.7
18	3.4	86.4	1.3	33.0	2.5	63.5	1.3	33.0	3.5	88.9
19	3.9	99.1	1.4	35.6	3.0	76.2	1.4	35.6	3.7	94.0

Dimensions in inches (millimeters) and are subject to change without notice.

CAGE Code 06324

Printed in U.S.A.

© 2010 Glenair, Inc. **GLENAIR, INC. • 1211 AIR WAY • GLENDALE, CA 91201-2497 • 818-247-6000 • FAX 818-500-9912**

www.glenair.com

H-26

E-Mail: sales@glenair.com

Series 805 Mighty Mouse Triple-Start Protective Cover Ordering Information

667-261 and 667-262



Plug Cover

Protect Connectors From Damage

Machined aluminum or stainless steel protective covers have fluorosilicone gasket for a watertight fit.

Polyurethane-Coated SST Wire Rope

offers high strength, excellent abrasion resistance and good flexibility. Or, choose Teflon® jacket for high temperature exposure.



Receptacle Cover

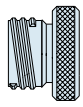
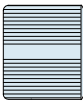

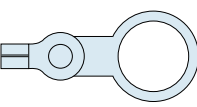
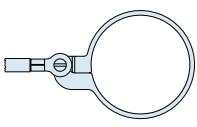
Stainless Steel Fittings and Rings

Choose small diameter eye fittings for panel attachment. Larger rings fit under the jam nut or over cable jackets. Split rings can be installed on fully assembled cables.

Braided Nylon Rope provides excellent flexibility and good abrasion resistance, and can be ordered with slip knot fittings for easy installation on any size cable.

HOW TO ORDER

Sample Part Number

667-262	-M	-G	9	04	-6
Series	Shell Material / Finish	Attachment Type	Shell Size	Attachment Code	Attachment Length in Inches
 <p>667-261 Protective Cover for use with Series 805 Plugs</p>  <p>667-262 Protective Cover for use with Series 805 Receptacles</p>	<p>-C Aluminum / Black Anodize (Non-Conductive) RoHS Compliant</p> <p>-M Aluminum / Electroless Nickel RoHS Compliant</p> <p>-NF Aluminum / Cadmium with Olive Drab Chromate</p> <p>-ZN Aluminum / Zinc-Nickel with Olive Drab Chromate</p> <p>-ZNU Aluminum / Zinc-Nickel with Black Chromate</p> <p>-MT Aluminum / Nickel-PTFE RoHS Compliant</p> <p>-Z1 Stainless Steel / Passivated RoHS Compliant</p>	<p>-G Nylon Rope</p> <p>-H SST Wire Rope, Teflon® Jacket</p> <p>-N No Attachment</p> <p>-S SST Sash Chain</p> <p>-SK Nylon Rope With Slip Knot</p> <p>-T SST Wire Rope, No Jacket</p> <p>-U SST Wire Rope, Polyurethane Jacket "SST" = Stainless Steel</p>	<p>8</p> <p>9</p> <p>10</p> <p>11</p> <p>12</p> <p>15</p> <p>18</p> <p>19</p> <p>23</p>	<p>Omit for attachment Types N (No Attachment) and SK (Slip Knot)</p> <div style="display: flex; align-items: center;">  <div style="margin-left: 10px;"> <p>01 - .126 (3.20) I.D.</p> <p>02 - .145 (3.68) I.D.</p> <p>04 - .188 (4.78) I.D.</p> <p>06 - .197 (5.00) I.D.</p> </div> </div> <div style="display: flex; align-items: center;">  <div style="margin-left: 10px;"> <p>14 - .385 (9.78) I.D.</p> <p>16 - .570 (14.48) I.D.</p> <p>17 - .635 (16.13) I.D.</p> <p>18 - .695 (17.65) I.D.</p> <p>24 - .766 (19.46) I.D.</p> <p>19 - .885 (22.48) I.D.</p> <p>20 - 1.070 (27.17) I.D.</p> <p>22 - 1.210 (30.73) I.D.</p> <p>23 - 1.275 (32.39) I.D.</p> <p>25 - 1.530 (38.86) I.D.</p> </div> </div> <div style="display: flex; align-items: center;">  <div style="margin-left: 10px;"> <p>50 - .420 (10.67) I.D.</p> <p>52 - .480 (12.19) I.D.</p> <p>54 - .635 (16.13) I.D.</p> <p>56 - .745 (18.92) I.D.</p> <p>58 - .885 (22.48) I.D.</p> <p>60 - 1.010 (25.65) I.D.</p> <p>64 - 1.125 (28.58) I.D.</p> <p>68 - 1.345 (34.16) I.D.</p> </div> </div>	<p>Omit for attachment Type N (No Attachment)</p> <p>Example "-6" equals six inch length</p>

Dimensions in inches (millimeters) and are subject to change without notice.

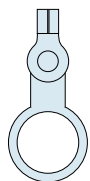
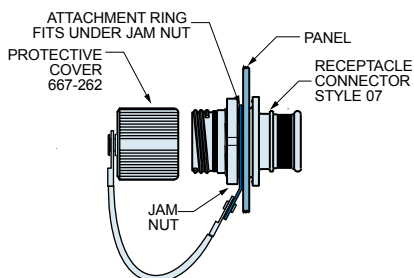




Series 805 Mighty Mouse Triple-Start Protective Cover Dimensions

667-262

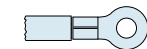
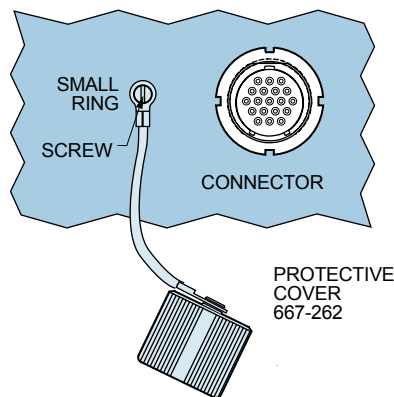
Attaching a 667-262 Receptacle Cover to a Rear Panel Mounted Jam Nut Receptacle



Solid Ring

Dia. Code	Shell Size	Ring I.D.		Ring O.D.	
		In.	mm.	In.	mm.
		± .010	±0.25	± .015	± 0.38
16	8	.570	14.48	.685	17.40
18	9, 10	.695	17.65	.820	20.82
24	11	.766	19.46	1.140	28.96
19	12	.885	22.48	1.010	25.65
20	15	1.070	27.17	1.195	30.35
22	18	1.210	30.73	1.312	33.32
23	19	1.275	32.39	1.375	34.93
25	23	1.530	38.86	1.630	41.40

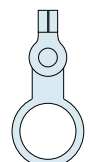
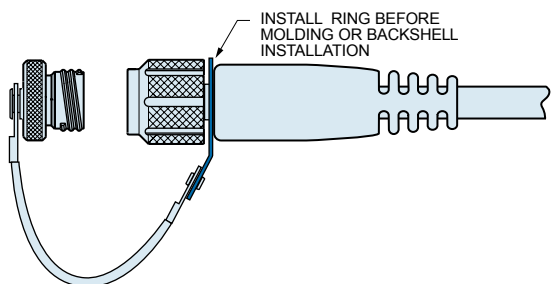
Attaching a 667-262 Receptacle Cover to a Panel With a Screw



Small Ring for Attaching Receptacle Covers to a Panel with a Screw

Dia. Code	Screw Size	Ring I.D.		Ring O.D.	
		In.	mm.	In.	mm.
		±.005	±0.13	Max.	Max.
01	#4, M3	.126	3.20	.31	7.9
02	#6	.145	3.68	.31	7.9
04	#8, M4	.188	4.78	.31	7.9
06	#10	.197	5.00	.31	7.9

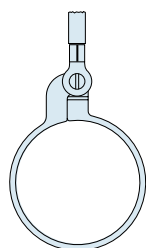
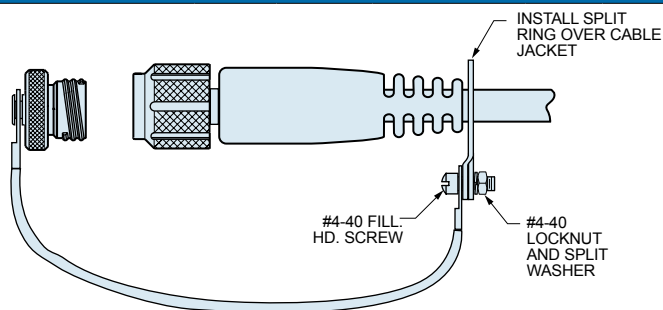
Attaching a Cover to a Cable Assembly With a Solid Ring



Solid Ring

Dia. Code	Shell Size	Ring I.D.		Ring O.D.	
		In.	mm.	In.	mm.
		± .010	±0.25	± .015	± 0.38
14	8	.385	9.78	.510	12.95
16	9, 10, 11	.570	14.48	.685	17.40
17	12	.635	16.13	.760	19.30
19	15	.885	22.48	1.010	25.65
20	18, 19	1.070	27.17	1.195	30.35
22	23	1.210	30.73	1.312	33.32

Attaching a Cover to a Cable Using a Split Ring or Slip Knot



Large Split Ring for Attaching Covers to Cables

Dia. Code	Max. Cable Dia. (in.)	Ring Diameter			
		Min. ID		Max. OD	
		In.	mm.	In.	mm.
50	.410	.420	10.67	.580	14.73
52	.470	.480	12.19	.640	16.26
54	.625	.635	16.13	.796	20.22
56	.735	.745	18.92	.905	22.99
58	.875	.885	22.48	1.046	26.57
60	1.000	1.010	25.65	1.171	29.74
64	1.115	1.125	28.58	1.285	32.64
68	1.335	1.345	34.16	1.505	38.23

Dimensions in inches (millimeters) and are subject to change without notice.

© 2010 Glenair, Inc.

CAGE Code 06324

Printed in U.S.A.

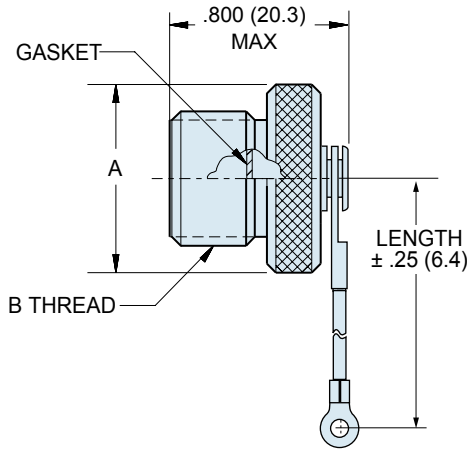
GLENAIR, INC. • 1211 AIR WAY • GLENDALE, CA 91201-2497 • 818-247-6000 • FAX 818-500-9912

www.glenair.com

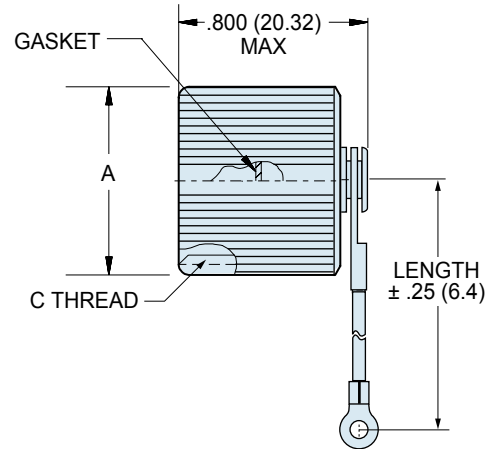
H-28

E-Mail: sales@glenair.com

**Series 805 Mighty Mouse Triple-Start
Protective Cover Dimensions
667-261 and 667-262**



667-261 Plug Cover



667-262 Receptacle Cover

Shell Size	A Max.		B	C
	In.	mm.		
8	.653	16.59	.5000-.1P-.3L-TS-2A	.5000-.1P-.3L-TS-2B
9	.715	18.16	.5625-.1P-.3L-TS-2A	.5625-.1P-.3L-TS-2B
10	.778	19.76	.6250-.1P-.3L-TS-2A	.6250-.1P-.3L-TS-2B
11	.841	21.36	.6875-.1P-.3L-TS-2A	.6875-.1P-.3L-TS-2B
12	.903	22.94	.7500-.1P-.3L-TS-2A	.7500-.1P-.3L-TS-2B
15	1.091	27.71	.9375-.1P-.3L-TS-2A	.9375-.1P-.3L-TS-2B
18	1.278	32.46	1.1250-.1P-.3L-TS-2A	1.1250-.1P-.3L-TS-2B
19	1.340	34.04	1.1870-.1P-.3L-TS-2A	1.1870-.1P-.3L-TS-2B
23	1.600	40.64	1.4375-.1P-.3L-TS-2A	1.4375-.1P-.3L-TS-2B

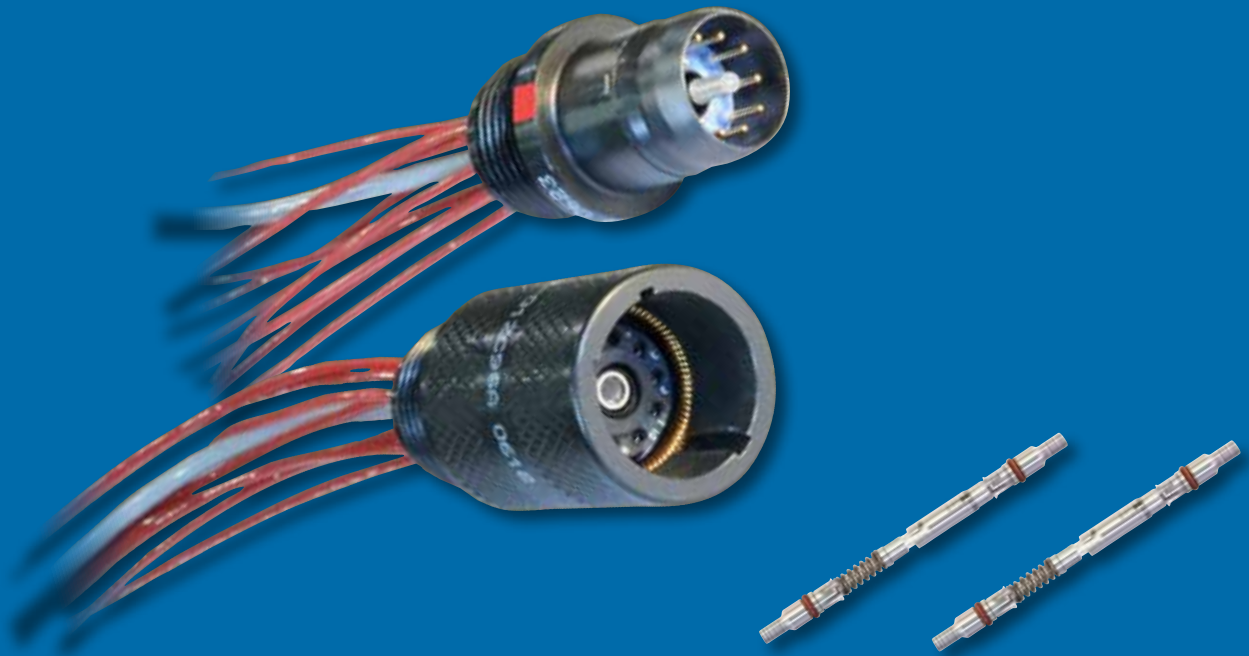
MATERIALS AND FINISHES	
Cover	Aluminum alloy or stainless steel
Gasket	Fluorosilicone rubber
Wire, Hardware	Stainless steel, passivated

LANYARD OPTIONS	
<p>Nylon Rope</p>	-55° to +100°C., black, very flexible, very good abrasion resistance, good resistance to fuels, .120" (3mm) diameter
<p>Polyurethane Coated Wire Rope</p>	Black polyurethane over stainless steel rope, -55° to +125°C., very flexible, excellent abrasion resistance, excellent resistance to fuels, .080" (2mm) diameter
<p>Teflon® Jacketed Wire Rope</p>	Translucent FEP jacket over stainless steel, -55° to +200°C., fair flexibility, good abrasion resistance, .100" diameter
<p>Sash Chain</p>	Stainless steel, #8 chain, .240" (6mm)
<p>Slip Knot (SK) for Attaching Covers to Cable</p>	55° to +100°C., black, very flexible, very good abrasion resistance, good resistance to fuels, .120" (3mm) diameter. Length includes .5" (13mm) diameter loop.

Dimensions in inches (millimeters) and are subject to change without notice.

SERIES 80

FROM FILTERS TO FIBER OPTICS



The Glenair Series 80 Mighty Mouse Connector line is a full-spectrum, no gaps solution for high-reliability interconnect systems that require reduced size and weight as principal design criteria. From standard environmental versions to advanced EMI/EMP filters, hermetic designs, space-grade versions, fiber optics—you name it—the Series 80 Mighty Mouse is ready for every every mission-critical military and commercial application. And because Glenair controls every manufacturing process in-house, we can offer lightning-fast turnaround on even the most specialized interconnect requirement.



Series 80 Mighty Mouse
EMI/EMP Filtered Connectors
Introduction



PRODUCT FACTS

- Compact Weight-Saving Design with #23 Contacts
- C and Pi Filters from 400 pF to 56000 pF
- 3 Through 130 Contacts
- Multilayer Ceramic Planar Capacitor Array
- 250 Volt DC
- PC Tail and Solder Cup Versions
- Fully Sealed with Thermally Conductive Epoxy
- Space-Grade Bake-Out Processing Available
- Double-Start, Triple-Start and Push-Pull Versions

Glenair's "Mighty Mouse" Delivers EMI/EMP Filtering in a Lightweight, Ultraminiature Package

Glenair's filtered Series 80 "Mighty Mouse" connector family provides significant size and weight savings compared to larger "MS" connectors. The high density #23 contacts provide almost double the density of D38999. Designed to meet stringent aerospace performance requirements, these connectors are offered with standard low pass Pi or C filter arrays, or with customized filters to meet your specific needs. Thermally conductive epoxy protects the filter package from mechanical and heat stress. These filtered receptacles mate to standard Series 80 plugs and are available in jam nut or square flange versions. **Now available with size #16 and size #12 contacts.**



SPECIFICATIONS

Current Rating	#23 5 AMPS, #20HD 7.5 A., #16 13 A., #12 23 A.
Dielectric Withstanding Voltage	250 VDC
Insulation Resistance	5000 megohms minimum @ 200 VDC
Operating Temperature	-55° C. to +125° C.
Shock	300 g.
Vibration	37 g.
Shielding Effectiveness	50 dB minimum from 100MHz to 1000MHz.

MATERIALS AND FINISHES

Shells, Jam Nuts	Aluminum alloy or stainless steel
Contacts	Copper alloy, 50 μInch gold plated
Insulators	Liquid crystal polymer (LCP)
Interfacial Seal, O-rings, Wire Sealing Grommet	Fluorosilicone rubber

Dimensions in inches (millimeters) and are subject to change without notice.

About Filtered Connectors

“Filtering” or suppression of electromagnetic noise within the connector package is reliably accomplished through the integration of capacitors and diodes into the connector to segregate interfering high-frequency or high voltage noise from the desired lower frequency signals.

While various types of capacitor filters are available, perhaps the most widely applied is the Planar Array type. Planar Arrays are extremely effective at filtering high-frequency interference. Planar arrays may be fabricated with different capacitive values on individual pins for additional flexibility in achieving the desired level of EMC. Diodes are used to clamp the voltage below a certain value, thereby protecting the electronic circuitry. They are typically integrated into the connector using a small printed circuit board.

Using filter technology has certain advantages to the electrical system

engineer, most especially improved signal integrity as well as size and weight reduction. In addition, filters can be incorporated into an interconnect system late in the research and development process; for example after an unforeseen noise problem has been detected. In every filter application the signal levels and frequency bands must be well understood in order to select the appropriate mode or type of filter technology.

EMI noise covers a broad range of frequencies. Filter modes and types are consequently specified according to the EMI frequency ranges which are the source of the actual signal degradation and the operating frequency of the affected device. Filter selection must take the following into account:

- Capacitance Value*
- Working Voltage*
- Surge Voltage*
- Dielectric Withstanding Voltage*
- Insulation Resistance*
- Transient Protection*

Filter connectors suitable for most defense/aerospace applications are broadly identified as “low-pass” filters (i.e. they let low frequency signals pass through and attenuate higher frequencies). The attenuation curve can be shaped using different filter types (different configurations of capacitors and inductors). These types include: Pi Filter, L-C or C-L Filter, and C Filter. These filter connector types are characterized by their relative abilities to filter noise according to capacitance, voltage values and load impedances.

Prior to shipping a filtered connector, Glenair offers extensive testing, qualification and burn-in options. Tests range from a simple capacitance (C), insulation resistance (IR), and dielectric withstanding voltage (DWV), to more elaborate options such as RF insertion loss, dissipation factor, Zener/TVS diode test, ground resistance, voltage conditioning and thermal shock.

About Multilayer Ceramic Planar Array Filters

Planar, multi-layer ceramic capacitive filters offer reduced size and improved performance compared to discrete discoidal or tubular capacitors. Planar array filter devices have the advantage, especially when compared to capacitive filters integrated at the circuit board level, of being bidirectionally effective at attenuating unwanted noise travelling into and out of equipment enclosures.

As mentioned above, the planar array can be designed with different capacitive values on individual pins, and pin groupings, and can also be selectively equipped with surge protection diodes. The ability to accommodate such Transient Voltage Suppressions (TVS) diodes to protect against voltage spikes from transient sources such as EMP, lightning or Electrostatic Discharge

(ESD) is an additional strength of the planar array design. The planar array package can also easily accommodate ferrite elements to add inductance to the filter device. For these reasons and more, the planar array is the most common filter type specified in defense/aerospace and other high-performance applications.

The planar array consists of multiple layers of ceramic dielectric separated by individual sheets of a ceramic tape material screen-printed with a pattern of metal electrodes. The exact configuration of the electrodes—their combined capacitance values, positions vis-a-vis individual contacts, selective grounding to the connector shell, etc.—determines the EMI attenuation properties of the filter device. After the layer-cake of dielectric materials and conductive elements is assembled, it is fired

at high temperature to create a unified, monolithic structure.

Typically, custom-configured planar arrays, with unique capacitive elements and values, are required to effectively address complex EMI problems such as might be encountered in an avionics bay or in the body of a missile. For this reason, planar array fabrication is accomplished using the most advanced CAD software and CNC machine tools. As critical EMI problems are often discovered late in the development process—perhaps only after equipment has been installed for use—it is critical that turnaround times in design and fabrication of custom designs are kept to a minimum. Glenair is committed to meeting the most aggressive delivery requirements for planar array type filter connectors.

Dimensions in inches (millimeters) and are subject to change without notice.

Series 80 Mighty Mouse EMI/EMP Filtered Connectors Selection Guide and General Information



SECTION J FILTERED MIGHTY MOUSE PRODUCT SELECTION GUIDE

Series 801 Filtered Receptacles
Page J-6



Series 801 Filtered Receptacles with Double-Start ACME Threads

Rugged double-start ACME thread provides fast mating. Choose jam nut mount (shown) or square flange. Integral shield termination platform accepts BAND-IT micro-bands, sold separately. Mates with Series 801 plugs.

Series 804 Filtered Receptacles
Page J-9



Series 804 Filtered Quick-Disconnect Receptacles

These "push-pull" receptacles mate with standard Series 804 plugs. A coil spring in the receptacle provides low shell-to-shell resistance and consistent de-mate release force. Choose front mount or rear mount jam nut styles.

Series 805 Filtered receptacles
Page J-12



Series 805 Filtered Receptacles with Triple-Start ACME Threads

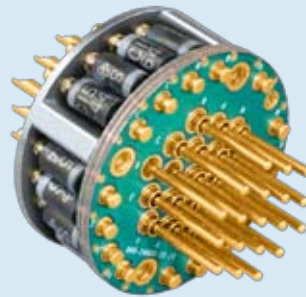
Series 805 connectors offer performance comparable to MIL-DTL-38999 but with reduced size and weight. Mating plugs feature a ground spring and ratcheting self-locking mechanism.

About EMP, ESD and Transient Voltage Suppression

Electromagnetic Pulse (EMP) refers to the intense radio frequency pulses produced by nuclear explosions at high altitudes. Other names for this phenomenon are Nuclear EMP (NEMP), and High-Altitude EMP (HEMP). Like other forms of electromagnetic interference, EMP can have a destructive effect on sensitive electronic devices, particularly those used in mission-critical military applications. This occurs if and when the EMP grounds to an antenna or an unshielded cable and passes unmolested into an electronic device.

Electrostatic Discharge (ESD) is the sudden flow of electric current caused by static electricity and electrostatic induction. Semiconductors can be damaged by ESD.

Transient Voltage Suppression (TVS) technologies are designed to shunt voltage transients directly to ground before such



Glenair connector subassembly with diodes to shunt excessive voltages to ground.

surges can damage sensitive electronic equipment. Individual TVS diodes as well as diode modules may be incorporated directly into the filter connector package to provide optimal protection for either individual contacts or groups of contacts without significant increases in connector size or weight.

Individual circuit protection diodes and diode modules are available for all connector types and are routinely stocked by Glenair to reduce lead-times. Individual diodes and modules may be screened and tested prior to assembly to ensure reliable performance. Field maintenance and repair of damaged diodes is also possible as both individual diodes and diode modules are easily removed from the connector package.

RTCA DO-160 and other electrical performance standards now define acceptable benchmarks for withstanding electromagnetic pulse, lightning strike, or other induced voltage surges in high-reliability systems. Glenair designs all TVS equipped filter connectors to conform to the RTCA DO-160 standard. Contact Glenair for more information on filtered connectors with transient voltage suppression.

Dimensions in inches (millimeters) and are subject to change without notice.

Glenair supplies filter connectors in the following electrical configurations: C, L-C, C-L, and Pi. The following general values may be used in type selection: single element filter connectors sporting either a single capacitor or inductor yield an insertion loss characteristic of 20dB per decade, dual element filters (capacitor plus an inductor) 40dB per decade, and triple element filters 60dB per decade. Selection is based primarily on source and load impedances but may also be influenced by the level of attenuation required at various frequencies. Please consult the factory for assistance in evaluating insertion loss values.

C Filter

Single capacitor with low self inductance. This configuration is generally used to attenuate high frequency signals. The simple design allows high-frequency EMI to discharge to ground via the surrounding electromagnetic field.



C FILTER INSERTION LOSS							
Frequency	Insertion Loss, dB Minimum, 25°C						
	A	B	C	D	E	F	G
1 MHz	6	5	3	-	-	-	-
10 MHz	24	23	16	8	4	-	-
100 MHz	41	39	35	28	21	10	5
500-1000 MHz	50	49	46	41	34	23	17

C FILTER CAPACITANCE

Filter Class	Capacitance (pF)
A	19000 - 28000
B	16000 - 22500
C	9000 - 16500
D	4000 - 6000
E	1650 - 2500
F	400 - 650
G	200 - 300

L-C or C-L Filter

Single capacitor combined with an inductive element. It is commonly used in a circuit with a both a low impedance source and a high impedance load or a low impedance load and a high impedance source. The inductive element should face the low impedance.



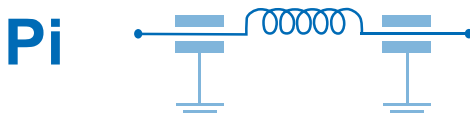
L-C FILTER INSERTION LOSS							
Frequency	Insertion Loss, dB Minimum, 25°C						
	A	B	C	D	E	F	G
1 MHz	6	6	3	-	-	-	-
10 MHz	25	24	17	9	6	-	-
100 MHz	42	41	38	30	23	12	6
500-1000 MHz	52	51	48	43	36	25	19

L-C FILTER CAPACITANCE

Filter Class	Capacitance (pF)
A	19000 - 28000
B	16000 - 22500
C	9000 - 16500
D	4000 - 6000
E	1650 - 2500
F	400 - 650
G	200 - 300

Pi Filter

Dual capacitors with a single inductive element positioned between them. The Pi filter provides exceptional high-frequency performance due to its sharper rolloff and is typically used when both source and load impedances are high.



PI FILTER INSERTION LOSS							
Frequency	Insertion Loss, dB Minimum, 25°C						
	A	B	C	D	E	F	G
1 MHz	10	8	5	1	-	-	-
10 MHz	40	35	25	14	8	2	0.8
100 MHz	62	60	57	50	40	15	13
500-1000 MHz	66	62	60	58	52	32	22

PI FILTER CAPACITANCE

Filter Class	Capacitance (pF)
A	38000 - 56000
B	32000 - 45000
C	18000 - 33000
D	8000 - 12000
E	3300 - 5000
F	800 - 1300
G	400 - 600

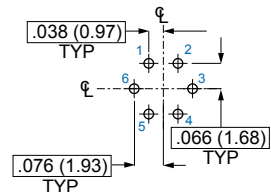
Dimensions in inches (millimeters) and are subject to change without notice.

**Series 80 Mighty Mouse
EMI/EMP Filtered Connectors
Insert Arrangements**



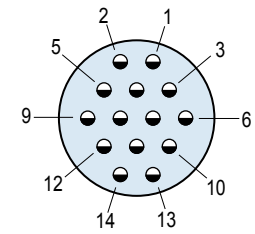
Series 80 "Mighty Mouse" Contact Arrangements

Contact Size	Contact Quantity					Series 801	Series 804	Series 805
	#23	#20	#20HD	#16	#12			
Size #23 Contacts 5 Amp Max. Current 500 VAC	3					5-3	5-3	Not Avail.
	4					6-4	6-4	8-4
	6					6-6	6-6	8-6
	7					6-7	6-7	8-7
	10					7-10	7-10	9-10
	13					8-13	8-13	10-13
	19					9-19	9-19	11-19
	26					10-26	10-26	12-26
	37					13-37	12-37	15-37
	55					16-55	14-55	18-55
	85					17-85	Not Avail.	19-85
130					21-130	Not Avail.	23-130	
Size #20HD Contacts 7.5 Amp Max. Current 750 VAC			3			6-23	6-23	8-23
			5			7-25	7-25	9-25
			8			8-28	8-28	10-28
			10			9-210	9-210	11-210
			20			13-220	12-220	15-220
			35			16-235	14-235	18-235
			41			17-241	Not Avail.	19-241
			69			21-269	Not Avail.	23-269
Size #16 Contacts 13 Amp Max. Current 1800 VAC				1		6-1	6-1	8-1
				2		8-2	8-2	10-2
				4		9-4	9-4	11-4
				5		10-5	10-5	12-5
				7		13-7	12-7	15-7
				12		16-12	14-12	18-12
				14		17-14	Not Avail.	19-14
				22		21-22	Not Avail.	23-22
Size #12 Contacts 23 Amp Max. Current 1800 VAC					1	7-1	7-1	9-1
					2	10-2	10-2	12-2
					2	13-2	12-2	15-2
					3	13-3	12-3	15-3
					5	16-5	14-5	18-5
					7	17-7	Not Avail.	19-7
Contact Arrangements with Mixed Size (Combo) Layouts					12	21-12	Not Avail.	23-12
	4	2				8-200	8-200	10-200
	8	2				9-201	9-201	11-201
	4			2		9-200	9-200	11-200
	8			2		10-202	10-202	12-202
	4				2	10-201	10-201	12-201
	6				2	13-200	12-200	15-200
	10				2	13-201	12-201	15-201
				1	10-200	10-200	12-200	



Printed Circuit Board Layouts

Refer to Pages B-4 to B-15 in Section B General Information



Insert Arrangements

Refer to Pages B-2 to B-3 in Section B General Information

Product Specifications

Refer to Pages B-18 to B-23 in Section B General Information

Torque Specifications

Refer to Page B-16 in Section B General Information

Dimensions in inches (millimeters) and are subject to change without notice.



Series 801 Mighty Mouse EMI/EMP Filtered Connectors

Ordering Information



Series 801 Filtered Connectors feature double-start ACME coupling threads. Available in **Jam Nut** and **Square Flange** versions, these environmentally sealed connectors offer aerospace filter performance in a miniaturized package.

These connectors mate to standard Series 801 plugs.

Consult Factory for Additional Filter Types, TVS Diodes, and other Custom Filter Connector Configurations.

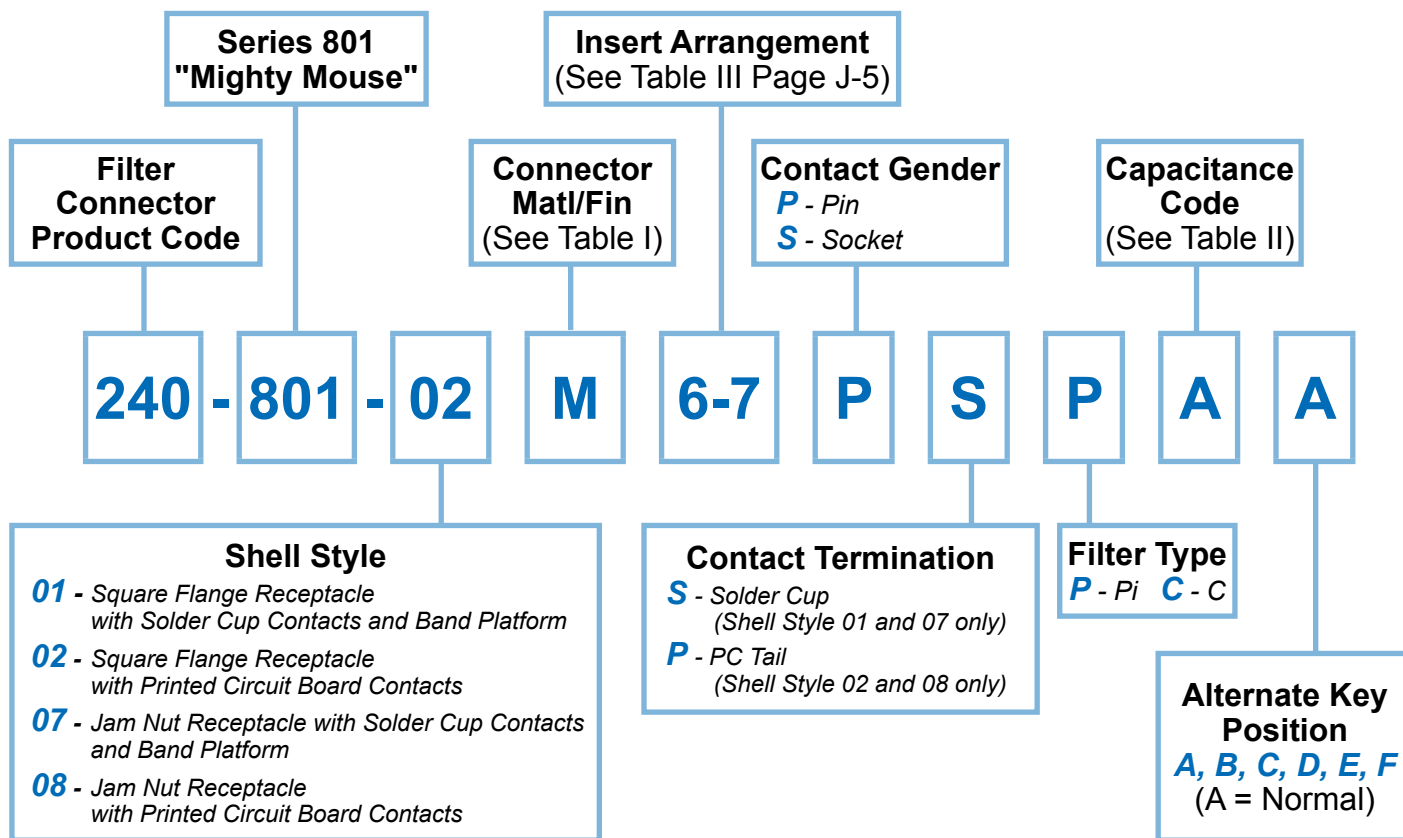


TABLE I: CONNECTOR MATERIAL AND FINISH

SYM	MATERIAL	FINISH
M	Aluminum	Electroless Nickel
MT	Aluminum	NI-PTFE 1000 Hour Grey (Nickel-Fluorocarbon Polymer)
NF	Aluminum	Cadmium O.D. Over Electroless Nickel
ZM	Stainless Steel	Electroless Nickel
ZN	Aluminum	Zinc-Nickel Over Electroless Nickel

TABLE II: CAPACITANCE CODE

CODE	PI - SECTION (pF)	C - SECTION (pF)
A	38,000 - 56,000	19,000 - 28,000
B	32,000 - 45,000	16,000 - 22,500
C	18,000 - 33,000	9,000 - 16,500
D	8,000 - 12,000	4,000 - 6,000
E	3,300 - 5,000	1,650 - 2,500
F	800 - 1,300	400 - 650
G	400 - 600	200 - 300

Dimensions in inches (millimeters) and are subject to change without notice.

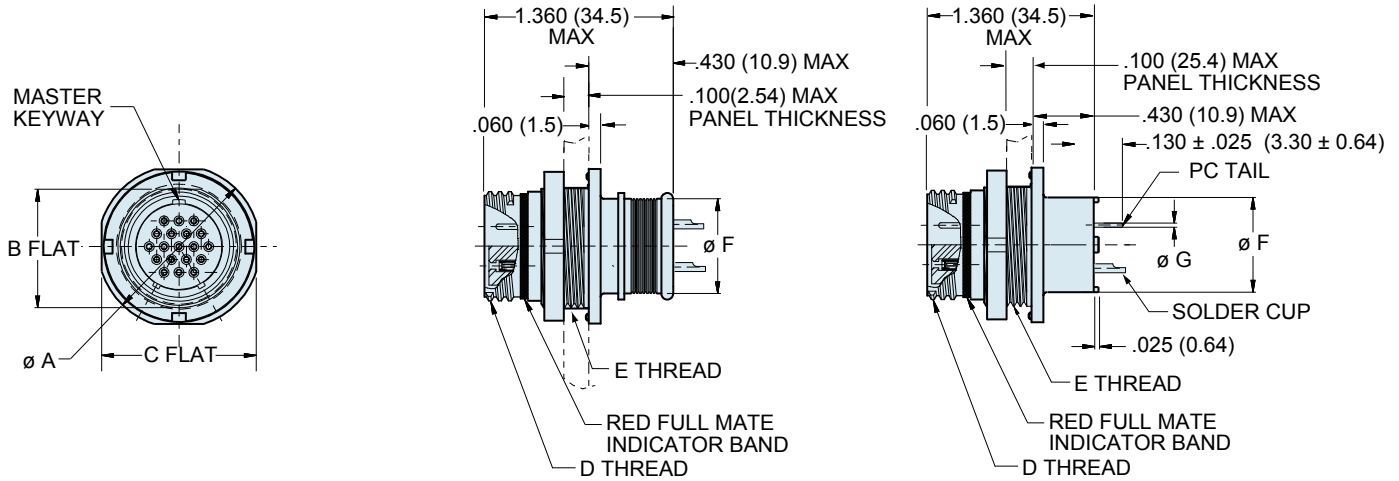
Series 801 Mighty Mouse EMI/EMP Filtered Connectors Jam Nut Receptacle Dimensions 240-801-07 and 240-801-08



Filtered

Solder Cup with Band Platform
240-801-07

PC Tail/Solder Cup
240-801-08



DIMENSIONS											
Shell Size	Ø A		B Flat		C Flat		D Thread	E Thread UN-2A	Ø F		Ø G
	In.	mm.	In.	mm.	In.	mm.			In.	mm.	
5	.575	14.61	.350	8.89	.545	13.84	.3125-.05P-.1L-2A	.375-28	.245	6.22	#23
6	.635	16.13	.410	10.41	.595	15.11	.375-.05P-.1L-2A	.4375-28	.290	7.37	.018/.022 (0.46/0.56)
7	.755	19.18	.536	13.61	.723	18.36	.4375-.05P-1L2A	.5625-32	.390	9.91	#20
8	.755	19.18	.536	13.61	.723	18.36	.5000-.05P-.1L-2A	.5625-32	.445	11.30	.024/.028 (0.61/0.71)
9	.830	21.08	.596	15.14	.790	20.07	.5625-.05P-.1L-2A	.625-28	.500	12.70	#16
10	.890	22.61	.658	16.71	.855	21.72	.6250-.05P-.1L-2A	.6875-28	.560	14.22	.060/.064 (1.52/1.63)
13	1.078	27.38	.845	21.46	1.044	26.52	.8125-.1P-.2L-2A	.875-28	.650	16.51	#12
16	1.264	32.11	1.022	25.96	1.230	31.24	1.000-.1P-.2L-2A	1.0625-20	.805	20.45	.092/.096 (2.34/2.44)
17	1.325	33.66	1.096	27.84	1.290	32.77	1.062-.1P-.2L-2A	1.125-28	.850	21.59	
21	1.625	41.28	1.345	34.16	1.577	40.06	1.3125-.1P-.2L-2A	1.375-28	1.110	28.19	

KEY POSITIONS			
	A°	B°	
A	150°	210°	
B	75°	210°	
C	95°	230°	
D	140°	275°	
E	75°	275°	
F	95°	210°	

SERIES 801 JAM NUT PANEL CUTOUT					
Shell Size	A Flat		Ø B		
	In. ± .002	mm. ± 0.05	In. ± .002	mm. ± 0.05	
5	.356	9.04	.385	9.78	
6	.416	10.57	.447	11.35	
7	.542	13.77	.572	14.53	
8	.542	13.77	.572	14.53	
9	.602	15.29	.635	16.13	
10	.666	16.92	.697	17.70	
13	.851	21.62	.885	22.48	
16	1.028	26.11	1.075	27.31	
17	1.102	27.99	1.135	28.83	
21	1.354	34.39	1.385	35.18	

Dimensions in inches (millimeters) and are subject to change without notice.



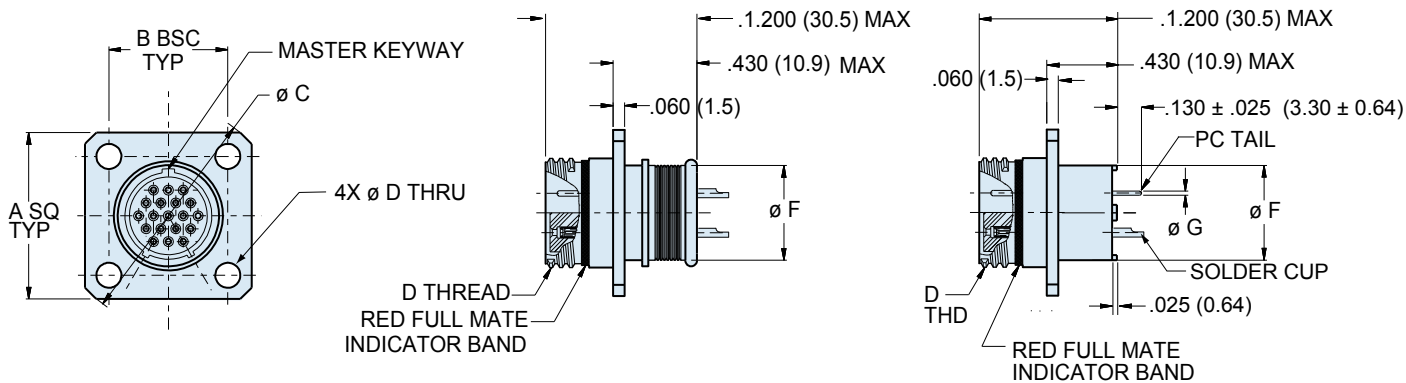
Series 801 Mighty Mouse EMI/EMP Filtered Connectors

Square Flange Receptacle Dimensions

240-801-01 and 240-801-02

Solder Cup with Band Platform
240-801-01

PC Tail/ Solder Cup
240-801-02



DIMENSIONS													
Shell Size	A		B BSC		Ø C		Ø D		E Thread	Ø F		Ø G	
	In.	mm.	In.	mm.	In.	mm.	In.	mm.		In.	mm.		
5	.530	13.46	.363	9.22	.680	17.27	.093	2.36	.3125-.05P-.1L-2A	.245	6.22	#23	
6	.590	14.99	.423	10.74	.750	19.05	.093	2.36	.375-.05P-.1L-2A	.290	7.37	.018/.022 (0.46/0.56)	
7	.650	16.51	.483	12.27	.850	21.59	.093	2.36	.4375-.05P-1L-2A	.390	9.91	#20	
8	.712	18.08	.545	13.84	.938	23.83	.093	2.36	.5000-.05P-1L-2A	.445	11.30	.024/.028 (0.61/0.71)	
9	.850	21.59	.607	15.42	1.125	28.58	.128	3.25	.5625-.05P-.1L-2A	.500	12.70	#16	
10	.890	22.61	.670	17.02	1.188	30.18	.128	2.25	.6250-.05P-1L-2A	.560	14.22	.060/.064 (1.52/1.63)	
13	1.030	26.16	.812	20.62	1.375	34.93	.128	3.25	.8125-.1P-.2L-2A	.650	16.51	#12	
16	1.219	30.96	.981	24.92	1.625	41.28	.128	3.25	1.000-.1P-.2L-2A	.805	20.45	.092/.096 (2.34/2.44)	
17	1.280	32.51	1.060	26.92	1.700	43.18	.128	3.25	1.062-.1P-.2L-2A	.850	21.59		
21	1.430	36.32	1.205	30.61	1.938	49.23	.128	3.25	1.3125-.1P-.2L-2A	1.110	28.19		

SERIES 801 PANEL CUTOUT							
Shell Size	Ø A		Ø B		Ø C		
	In.	mm.	In.	mm.	In.	mm.	
5	.330	8.38	.363	9.22	.093	2.36	
6	.390	9.91	.423	10.74	.093	2.36	
7	.450	11.43	.483	12.27	.093	2.36	
8	.510	12.95	.545	13.84	.093	2.36	
9	.575	14.61	.607	15.42	.128	3.25	
10	.640	16.26	.670	17.02	.128	3.25	
13	.825	20.96	.812	20.65	.128	3.25	
16	1.015	25.78	.981	24.92	.128	3.25	
17	1.075	27.31	1.060	26.92	.128	3.25	
21	1.325	33.66	1.205	30.61	.128	3.25	

KEY POSITIONS		
	A°	B°
A	150°	210°
B	75°	210°
C	95°	230°
D	140°	275°
E	75°	275°
F	95°	210°

Dimensions in inches (millimeters) and are subject to change without notice.

Series 804 Mighty Mouse EMI/EMP Filtered Connectors

Ordering Information



Series 804 Filtered Connectors feature push-pull coupling. These environmentally sealed connectors offer aerospace filter performance in a miniaturized package. A gold-plated spring provides excellent shell-to-shell conductivity.

Consult Factory for Additional Filter Types, TVS Diodes, and other Custom Filter Connector Configurations.

These connectors mate to standard Series 804 plugs.

Key Position
Omit for Single Keyway
A, B, C, D
(A = Normal)

Series 804 "Mighty Mouse" Push-Pull

Connector Matl/Fin
See Table I

Contact Style
P - Pin
S - Socket

Filter Type
P - Pi *C* - C

240 - 804 - 07 M 6-7 P S P A A

Filter Connector Product Code

Shell Style
07 - Jam Nut Receptacle, Rear Mount
08 - Jam Nut Receptacle, Rear Mount

Insert Arrangement
(See Table III Page J-5)

Termination
S - Solder Cup
P - PC Tail

Capacitance Code
See Table II

TABLE I: CONNECTOR MATERIAL AND FINISH		
SYM	MATERIAL	FINISH
M	Aluminum	Electroless Nickel
MT	Aluminum	NI-PTFE 1000 Hour Grey (Nickel-Fluorocarbon Polymer)
NF	Aluminum	Cadmium O.D. Over Electroless Nickel
ZM	Stainless Steel	Electroless Nickel
ZN	Aluminum	Zinc-Nickel Over Electroless Nickel

TABLE II: CAPACITANCE CODE		
CODE	PI - SECTION (pF)	C - SECTION (pF)
A	38,000 - 56,000	19,000 - 28,000
B	32,000 - 45,000	16,000 - 22,500
C	18,000 - 33,000	9,000 - 16,500
D	8,000 - 12,000	4,000 - 6,000
E	3,300 - 5,000	1,650 - 2,500
F	800 - 1,300	400 - 650
G	400 - 600	200 - 300

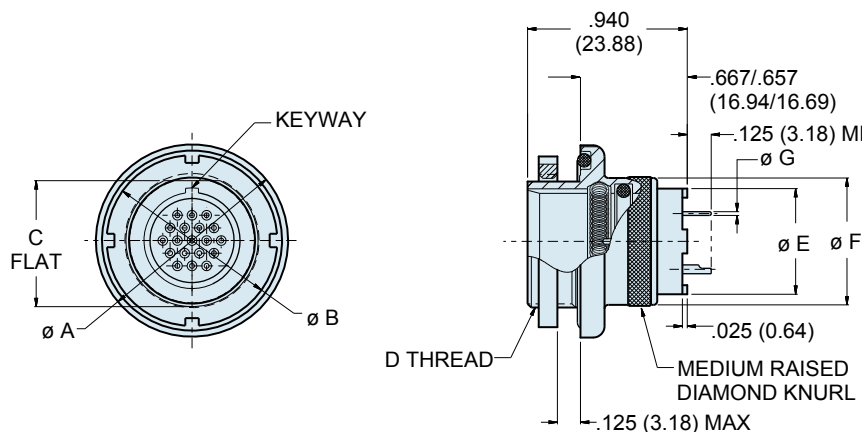
Dimensions in inches (millimeters) and are subject to change without notice.



Series 804 "Mighty Mouse" EMI/EMP Filtered Connectors

Rear Mount Jam Nut Receptacle Dimensions

240-804-07



Rear Panel Jam Nut
240-804-07

DIMENSIONS

Shell Size	Ø A		Ø B		C Flat		D Threads	Ø E		Ø F		Ø G Tail Dia.
	In.	mm.	In.	mm.	In.	mm.		In.	mm.	In.	mm.	
5	.730	18.54	.562	14.27	.415	10.54	.4375-32 UN-2A	.244	6.20	.435	11.05	#23 .018/.022 (0.46/0.56) #20 .024/.028 (0.61/0.71) #16 .060/.064 (1.52/1.63) #12 .092/.096 (2.34/2.44)
6	.730	18.54	.625	15.87	.467	14.40	.5000-32 UN-2A	.330	8.38	.483	12.27	
7	.910	23.11	.750	19.05	.594	15.09	.6250-28 UN-2A	.432	10.97	.570	14.48	
8	.955	24.26	.750	19.05	.594	15.09	.6250-28 UN-2A	.493	12.52	.593	15.06	
9	1.000	25.40	.812	20.62	.655	16.64	.6875-28 UN-2A	.551	14.00	.685	17.40	
10	1.085	27.48	.875	22.22	.721	18.31	.7500-28 UN-2A	.620	15.75	.725	18.42	
12	1.190	30.23	1.000	25.40	.843	21.41	.8750-28 UN-2A	.703	17.86	.850	21.59	
14	1.325	33.66	1.125	28.57	.968	24.59	1.0000-28 UN-2A	.863	21.92	.973	24.71	
15	1.375	34.93	1.188	30.17	1.029	26.14	1.0625-20 UN-2A	.912	23.16	1.028	26.11	

ALTERNATE KEY POSITIONS

Pos.	A°	B°
A	150°	210°
B	75°	210°
C	95°	230°
D	140°	275°

STYLE 07 JAM NUT PANEL CUTOUT

Shell Size	A Flat		Ø B	
	In. ± .002	mm. ± 0.05	In. ± .005	mm. ± 0.13
5	.425	10.80	.448	11.38
6	.477	12.12	.510	12.95
7	.604	15.34	.635	16.13
8	.604	15.34	.635	16.13
9	.665	16.89	.695	17.65
10	.731	18.57	.760	19.30
12	.853	21.67	.885	22.48
14	.978	24.84	1.010	25.65
15	1.039	26.39	1.070	27.18

Dimensions in inches (millimeters) and are subject to change without notice.

© 2010 Glenair, Inc.

CAGE Code 06324

Printed in U.S.A.

GLENAIR, INC. • 1211 AIR WAY • GLENDALE, CA 91201-2497 • 818-247-6000 • FAX 818-500-9912

www.glenair.com

J-10

E-Mail: sales@glenair.com

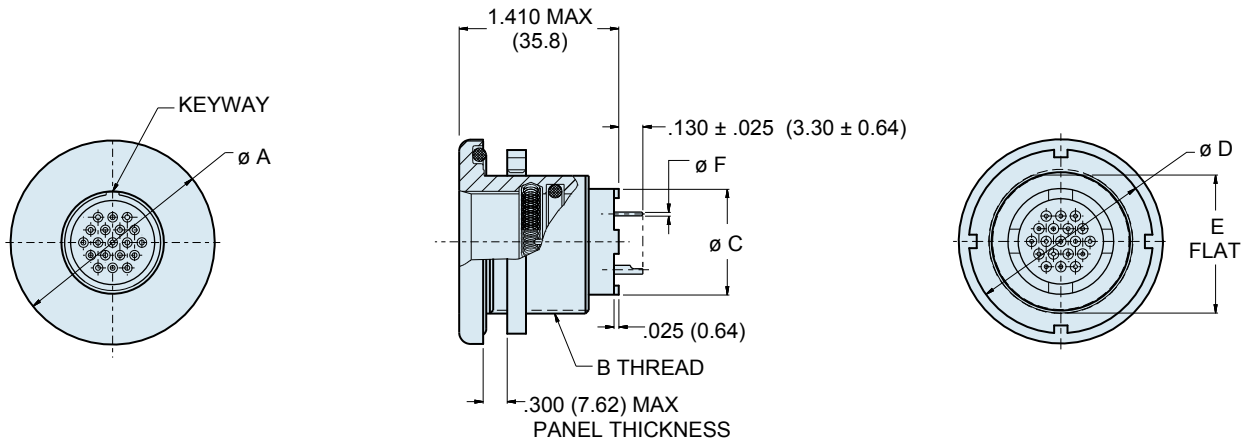
16-NOVEMBER-2010

Series 804 "Mighty Mouse" EMI/EMP Filtered Connectors Front Mount Jam Nut Receptacle Dimensions

240-804-08



Filtered



Front Panel Jam Nut
240-804-08

DIMENSIONS										
Shell Size	Ø A		B Threads	Ø C		Ø D		E Flat		Ø F Tail Dia.
	In.	mm.		In.	mm.	In.	mm.	In.	mm.	
5	.830	21.08	.5000-32 UN-2A	.244	6.20	.625	15.87	.470	11.94	#23 .018/.022 (0.46/0.56)
6	.885	22.48	.5625-28 UN-2A	.330	8.38	.688	17.47	.530	13.46	
7	.995	25.27	.6875-28 UN-2A	.432	10.97	.812	20.62	.663	16.84	#20 .024/.028 (0.61/0.71)
8	.995	25.27	.6875-28 UN-2A	.493	12.52	.812	20.62	.663	16.84	
9	1.075	27.31	.7500-28 UN-2A	.551	14.00	.875	22.22	.720	18.29	#16 .060/.064 (1.52/1.63)
10	1.140	28.95	.8125-28 UN-2A	.620	15.75	.938	23.82	.788	20.02	
12	1.340	34.04	1.0000-28 UN-2A	.703	17.86	1.125	28.57	.970	24.64	#12 .092/.096 (2.34/2.44)
14	1.390	35.31	1.0625-20 UN-2A	.863	21.92	1.188	30.18	1.020	25.91	
15	1.450	36.83	1.1250-28 UN-2A	.912	23.16	1.250	31.75	1.093	27.76	

ALTERNATE KEY POSITIONS

Pos.	A°	B°
A	150°	210°
B	75°	210°
C	95°	230°
D	140°	275°

STYLE 08 JAM NUT PANEL CUTOUT

Shell Size	A Flat		Ø B	
	In. ± .002	mm. ± 0.05	In. ± .005	mm. ± 0.13
5	.480	12.19	.510	12.95
6	.540	13.72	.575	14.61
7	.674	17.12	.698	17.73
8	.674	17.12	.698	17.73
9	.730	18.54	.760	19.30
10	.799	20.29	.822	20.88
12	.980	24.89	1.010	25.65
14	1.030	26.16	1.075	27.31
15	1.103	28.02	1.135	28.83

Dimensions in inches (millimeters) and are subject to change without notice.

© 2010 Glenair, Inc.

CAGE Code 06324

Printed in U.S.A.

GLENAIR, INC. • 1211 AIR WAY • GLENDALE, CA 91201-2497 • 818-247-6000 • FAX 818-500-9912

www.glenair.com

J-11

E-Mail: sales@glenair.com

16-NOVEMBER-2010



Series 805 Mighty Mouse EMI/EMP Filtered Connectors

Ordering Information



Series 805 Filtered Connectors feature triple-start ACME coupling threads. Available in **Jam Nut** and **Square Flange** versions, these environmentally sealed connectors offer aerospace filter performance in a miniaturized package.

These connectors mate to standard Series 805 plugs.

Consult Factory for Additional Filter Types, TVS Diodes, and other Custom Filter Connector Configurations.

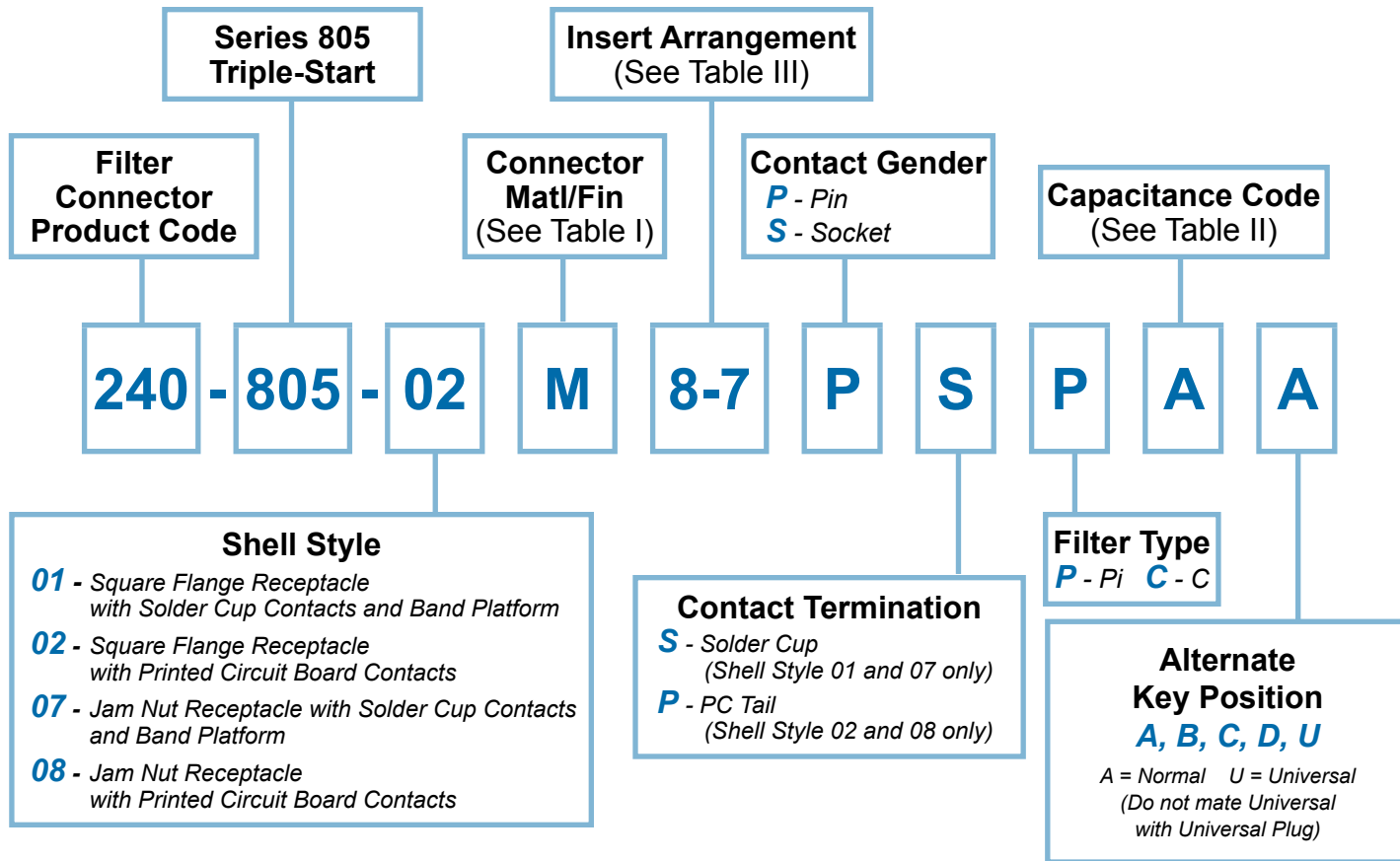


TABLE I: CONNECTOR MATERIAL AND FINISH

SYM	MATERIAL	FINISH
M	Aluminum	Electroless Nickel
MT	Aluminum	NI-PTFE 1000 Hour Grey (Nickel-Fluorocarbon Polymer)
NF	Aluminum	Cadmium O.D. Over Electroless Nickel
P	Stainless Steel	Electroless Nickel
ZN	Aluminum	Zinc-Nickel Over Electroless Nickel

TABLE II: CAPACITANCE CODE

CODE	PI - SECTION (pF)	C - SECTION (pF)
A	38,000 - 56,000	19,000 - 28,000
B	32,000 - 45,000	16,000 - 22,500
C	18,000 - 33,000	9,000 - 16,500
D	8,000 - 12,000	4,000 - 6,000
E	3,300 - 5,000	1,650 - 2,500
F	800 - 1,300	400 - 650
G	400 - 600	200 - 300

Dimensions in inches (millimeters) and are subject to change without notice.

© 2010 Glennair, Inc.

CAGE Code 06324

Printed in U.S.A.

GLENNAIR, INC. • 1211 AIR WAY • GLENDALE, CA 91201-2497 • 818-247-6000 • FAX 818-500-9912

www.glenair.com

J-12

E-Mail: sales@glenair.com

Series 805 Mighty Mouse EMI/EMP Filtered Connectors

Square Flange Receptacle Dimensions

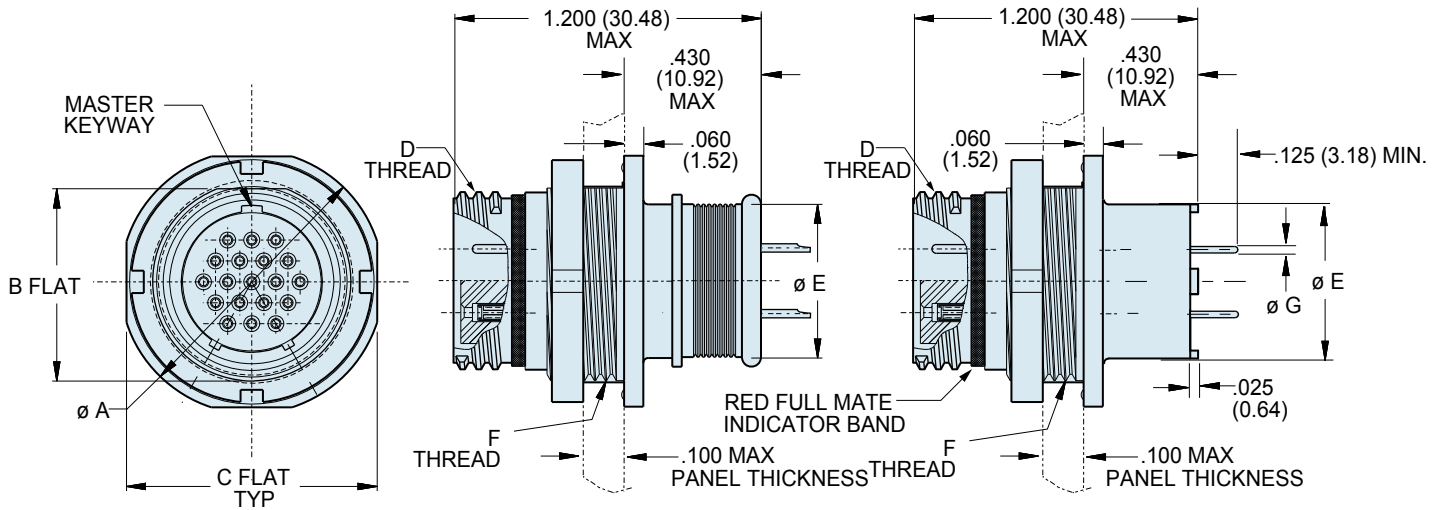
240-805-07 and 240-805-08



Filtered

Solder Cup with Band Platform
240-805-07

Printed Circuit Board Contacts
240-805-08



DIMENSIONS

Shell Size	Ø A		B		C		D Threads	Ø E		F Threads	Ø G
	In.	mm.	In.	mm.	In.	mm.		In.	mm.		
8	.760	19.30	.535	13.59	.730	18.54	.5000-1P-.3L-TS-2A	.413	10.49	.5625-28 UN-2A	#23 .018/.022 (0.46/0.56)
9	.880	22.35	.661	16.79	.850	21.59	.5625-1P-.3L-TS-2A	.500	12.70	.6875-28 UN-2A	
10	.880	22.35	.661	16.79	.850	21.59	.6250-1P-.3L-TS-2A	.530	13.46	.6875-28 UN-2A	#20 .024/.028 (0.61/0.71)
11	.955	24.26	.721	18.31	.925	23.50	.6875-1P-.3L-TS-2A	.610	15.49	.7500-28 UN-2A	
12	1.060	26.92	.784	19.91	1.035	26.29	.7500-1P-.3L-TS-2A	.655	16.51	.8125-28 UN-2A	#16 .060/.064 (1.52/1.63)
15	1.203	30.56	.970	24.64	1.173	29.79	.9375-1P-.3L-TS-2A	.746	18.95	1.0000-28 UN-2A	
18	1.389	35.28	1.147	29.13	1.359	34.52	1.1250-1P-.3L-TS-2A	.871	22.12	1.1875-28 UN-2A	#12 .092/.096 (2.34/2.44)
19	1.450	36.83	1.221	31.01	1.420	36.07	1.1875-1P-.3L-TS-2A	.972	24.67	1.2500-28 UN-2A	
23	1.705	43.31	1.470	37.34	1.675	42.55	1.4375-1P-.3L-TS-2A	1.876	30.12	1.500-25 UN-2A	

PANEL CUTOUT FOR JAM NUT RECEPTACLE

Shell Size	A Flat		Ø B	
	In. ± .002	mm. ± 0.05	In. ± .005	mm. ± 0.13
8	.543	13.79	.572	14.53
9	.669	16.99	.698	17.73
10	.669	16.99	.698	17.73
11	.729	18.51	.760	19.30
12	.792	20.12	.822	20.88
15	.978	24.84	1.010	25.65
18	1.155	29.34	1.198	30.43
19	1.231	31.27	1.260	32.00
23	1.480	37.59	1.510	38.35

SERIES 805 KEY POSITIONS

Key Position	Key Rotation	
	A	B
Normal (A)	150°	210°
B	75°	210°
C	95°	230°
D	140°	275°

Dimensions in inches (millimeters) and are subject to change without notice.

© 2010 Glenair, Inc.

CAGE Code 06324

Printed in U.S.A.

GLENAIR, INC. • 1211 AIR WAY • GLENDALE, CA 91201-2497 • 818-247-6000 • FAX 818-500-9912

www.glenair.com

J-13

E-Mail: sales@glenair.com

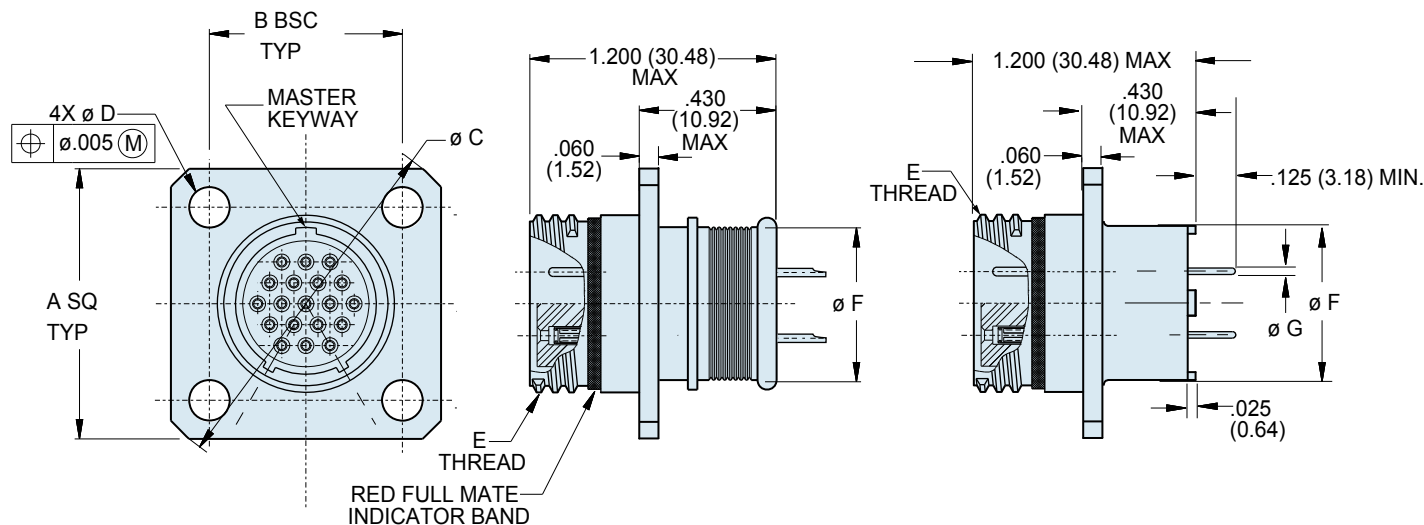
13 - OCTOBER - 2012



Series 805 Mighty Mouse EMI/EMP Filtered Connectors
Square Flange Receptacle Dimensions
 240-805-01 and 240-805-02

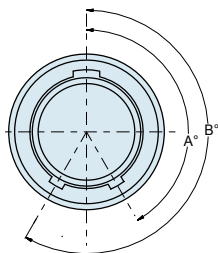
Solder Cup with Band Platform
 240-805-01

Printed Circuit Board Contacts
 240-805-02



DIMENSIONS

Shell Size	A		B		$\varnothing C$		$\varnothing D$		E Threads	$\varnothing F$		$\varnothing G$
	In.	mm.	In.	mm.	In.	mm.	In. $\pm .003$	mm. $\pm .08$		In.	mm.	
8	.850	21.59	.660	16.76	1.150	29.21	.094	2.39	.5000-.1P-.3L-TS-2A	.413	10.49	#23 .018/.022 (0.46/0.56)
9	.913	23.19	.723	18.36	1.230	31.24	.094	2.39	.5625-.1P-.3L-TS-2A	.500	12.70	
10	.975	24.77	.785	19.94	1.330	33.78	.094	2.39	.6250-.1P-.3L-TS-2A	.530	13.46	#16 .060/.064 (1.52/1.63)
11	1.039	26.39	.848	21.54	1.410	35.81	.094	2.39	.6875-.1P-.3L-TS-2A	.610	15.49	
12	1.099	27.91	.909	23.09	1.500	38.10	.094	2.39	.7500-.1P-.3L-TS-2A	.655	16.51	#12 .092/.096 (2.34/2.44)
15	1.288	32.74	1.058	26.87	1.750	44.45	.128	3.25	.9375-.1P-.3L-TS-2A	.746	18.95	
18	1.475	37.47	1.255	31.88	2.000	50.80	.128	3.25	1.1250-.1P-.3L-TS-2A	.871	22.12	
19	1.537	39.04	1.327	33.71	2.094	53.19	.128	3.25	1.1875-.1P-.3L-TS-2A	.972	24.67	
23	1.787	45.39	1.570	39.88	2.440	61.98	.128	3.25	1.4375-.1P-.3L-TS-2A	1.186	30.12	



SERIES 805 KEY POSITIONS

Key Position	Key Rotation	
	A	B
Normal (A)	150°	210°
B	75°	210°
C	95°	230°
D	140°	275°

Dimensions in inches (millimeters) and are subject to change without notice.

© 2010 Glenair, Inc.

CAGE Code 06324

Printed in U.S.A.

GLENAIR, INC. • 1211 AIR WAY • GLENDALE, CA 91201-2497 • 818-247-6000 • FAX 818-500-9912

www.glenair.com

J-14

E-Mail: sales@glenair.com

13 - OCTOBER - 2012

Series 80 Mighty Mouse ASAP Cordsets for High Speed Serial Data Introduction



Mighty Mouse for 100BASE-T
*compared to RJ-45 Plug in MIL-
DTL-38999 Connector*

PRODUCT FACTS

- Compact Weight-Saving Design with size #23 Contacts
- USB 2.0, 100BASE-T, 1000BASE-T, IEEE 1394
- Environmentally Protected, Robust Construction
- Aerospace-Grade Cable Meets FAA FAR 25 Flammability
- Tactical-Grade Cable Meets Low-Toxicity Requirements
- Silver-Coated Copper Braid Shield With 95% Coverage over Aluminized Mylar Shield
- Threaded Coupling, Quick-Disconnect or Bayonet Mating

Glenair's Series 80 ASAP Cordsets for High Speed Ethernet, USB and Firewire Applications

High-reliability aerospace and defense systems have adopted commercial data protocols such as Ethernet and USB; however, commercial-grade connectors such as RJ-45 modular plugs are not suitable for airframe or tactical deployments where shielding, environmental protection, and mechanical robustness are prime considerations. The Mighty Mouse connector, because of its compact size, ruggedness and in-stock availability, is widely deployed for 100BASE-T, 1000BASE-T and USB 2.0 applications on commercial air transport, military airframe, unmanned vehicles, and dismounted soldiers. This section of the Series 80 catalog provides ordering information and technical information on Mighty Mouse cordsets for Ethernet and other high speed data applications. These ASAP cordsets in this section feature military-grade construction with the quickest delivery in the industry.



Full-Duplex Ethernet Switch
*with Glenair Series 801 4 Pin
Receptacles and Glenair 38999
Fiber Optic Connectors*

Dimensions in inches (millimeters) and are subject to change without notice.



100BASE-T Cordset
with 4 Pin Series 800 Connector

Upgrade commercial high speed serial interconnects to mil-spec performance. Glenair's ASAP "Mighty Mouse" cordsets are available for 100BASE-T, Gigabit Ethernet, IEE 1394 and USB 2.0 applications. These cordsets combine aerospace-grade data cables with Series 80 "Mighty Mouse" harsh environment connectors for maximum performance and minimum size.

FEP jackets meet FAA flammability requirements. Or, choose **low smoke / zero halogen polyurethane jackets** for mass transit or shipboard applications.

Three strain relief options – Standard overmolded cables offer excellent strain-relief and cable sealing. Or, choose heatshrink boots for smallest form factor. If repairability and ruggedness are important, choose machined aluminum EMI backshells.

Three reasons to specify Glenair Series 80 cordsets

1 Simplified Ordering: No need to buy cable, connectors, termination tools and strain reliefs.

2 Guaranteed Performance: All cordsets are 100% electrically tested.

3 Faster Delivery: Cable and connector components are in stock.

HOW TO ORDER CORDSETS

Step 1: Select the Connector Series

Table 1 lists the five types of Series 80 connectors. For more information on selecting a connector, please refer to the connector selection chart on the following page. This section does not contain ordering information for series 802 "Aqua Mouse" cordsets. Please contact Glenair for information on hazardous environment high pressure cables for the 802 Series.

Step 2: Select the Cable

Table 2 contains specifications for standard data cables. The cable type also determines the connector layout. **4 pin connectors are used for 4 wire cables, and 10 pin connectors are used for 8 wire cables.**

Step 3: Select a Cable Jacket

Table 3 shows available jacket options. Choose FEP fluorocarbon jackets for airframe and avionics applications, or choose low smoke/zero halogen polyurethane jackets for soldier systems, vehicles, and transit systems.

Step 4: Select a Cable-To-Connector Interface

Table 3 provides three ways to attach the cable to the connector:

1. Polyamide boot, overmolded with flexible strain relief
2. Aluminum backshell, shielded, watertight and removable
3. Heat-shrink boot, low smoke/ zero halogen

Step 5: Select a Connector Configuration

Table 1 shows connector codes for specifying plug versus receptacle and pin versus socket contacts. Add a plating code, keying option and length.

Dimensions in inches (millimeters) and are subject to change without notice.

**Series 80 Mighty Mouse
ASAP Cordsets for High Speed Serial Data
Connector Selection Guide**



CONNECTOR SELECTION GUIDE	Series 800	Series 801	Series 803	Series 804	Series 805
					
Description	UNF Threads	Double-Start ACME	¼ Turn Bayonet	Push-Pull	Triple-Start ACME
Notes	A general purpose connector for Ethernet switches, tactical equipment and instrumentation.	More rugged keys and threads compared to Series 800. Faster mating, slightly larger than Series 800.	Quick-mating, light duty, general purpose. Not rated for immersion. 50 milliohms shell-to-shell resistance.	Breakaway connector for headsets and tactical equipment. Gold-plated spring for long mating life and superior EMI shielding.	“Clicker” ratchet mechanism and ground spring for military airframes and avionics boxes. Fast-mating, D38999 equivalent.
Coupling	Threaded Coupling with 4 ½ Turns to Full Mate	Threaded Coupling with 1 ½ Turns to Full Mate	Push-to-Mate, ¼ Turn to Lock	Quick-Disconnect with Canted Spring	One Full Turn for Full Mate
Water Immersion	MIL-STD-810 Method 512 1 Meter for 1 Hour	MIL-STD-810 Method 512 1 Meter for 1 Hour	Splashproof	MIL-STD-810 Method 512 1 Meter for 1 Hour	MIL-STD-810 Method 512 1 Meter for 1 Hour
EMI Shielding	Good	Good	Fair	Very Good	Excellent
Vibration and Shock	37 g's Random Vibration 300 g's Shock	37 g's Random Vibration 300 g's Shock	37 g's Random Vibration 300 g's Shock	37 g's Random Vibration 300 g's Shock	37 g's Random Vibration 300 g's Shock
Mating Cycles	2000 Cycles	2000 Cycles	250 Cycles Aluminum 2000 Cycles SST	2000 Cycles	500 Cycles
Proven Performance Applications	Commercial air frame sensors; UAV telemetry; Tactical computers; field radios;	Military air frame; Dismounted soldier; Tactical ground weaponry; Avionic (FLIR) system	Soldier system radios; Autosport diagnostics; Airborne surveillance	Helmet breakaway connector; QDC battery; Missile applications; Weapon interconnect	Autosport; Military air frame; Joint Strike Fighter

Dimensions in inches (millimeters) and are subject to change without notice.



TABLE 1: HOW TO ORDER SERIES 80 CORDSETS FOR HIGH SPEED DATA

Sample Part Number									
801-024	B	F	P	A	C	M	P	Z	-72
Connector Series	Cable	Cable Jacket	Strain Relief	Connector End A P1	Connector End B P2	Shell Material / Finish	Protective Cover	Shell Pol. Pos.	OAL Length
800-035 Series 800 Cordset, UNF Threaded Coupling, Hex Nut	A 100BASE-T Ethernet 4 Cond. UTP, OAL Shield 4 Pin Connector	F FEP Fluorocarbon Jacket, Translucent Blue	P Polyamide Overmold	A Plug, with Male Pin Contacts	A Plug, with Male Pin Contacts	M Aluminum / Electroless Nickel RoHS Compliant	P Metal Protective Covers Included	Polarizing position depends on the connector series.	Overall Length In Inches
801-024 Series 801 Cordset, Double-Start Threaded Coupling	B 100BASE-T Ethernet Quad, OAL Shield, 4 Pin Connector	P Low Smoke/ Zero Halogen Polyurethane Jacket, Black	B Metal Backshell	B Plug, with Female Socket Contacts	B Plug, with Female Socket Contacts	NF Aluminum / Cadmium with Olive Drab Chromate	N No Covers Supplied	For Series 800 and 803:	12 Inch Min.
803-007 Series 803 Cordset, Push-Pull With Bayonet Lock Coupling	C 1000BASE-T Gigabit Ethernet 8 Cond. UTP, OAL Shield, 10 Pin Connector		H Heat-Shrink Boot, Low Smoke/ Zero Halogen	C Receptacle, with Male Pin Contacts	C Receptacle, with Male Pin Contacts	ZN Aluminum / Zinc-Nickel with Olive Drab Chromate		Normal Pos. X Y Pos. Y Z Pos. Z	
804-013 Series 804 Cordset, Quick-Disconnect Push-Pull	D IEEE 1394 Hi-Speed Quad 110 Ohm, 4 Pin Connector			D Receptacle, with Female Socket Contacts	D Receptacle, with Female Socket Contacts	ZNU Aluminum / Zinc-Nickel with Black Chromate		For Series 801 and 805:	
805-007 Series 805 Cordset, Tri-Start Threaded Coupling with Ratchet and Ground Spring	E USB 2.0, Two #22 Power, One STP #26				N No Connector (Single-Ended)	MT Aluminum / Nickel-PTFE RoHS Compliant		Normal Pos. B C Pos. C D Pos. D	
	F Two STP, 100 Ohm, OAL Shield, 4 Pin Connector					Z1 Stainless Steel / Passivated RoHS Compliant		For Series 804:	
	G Four STP, 100 Ohm, OAL Shield, 10 Pin Connector							Omit for Single Master Key	
								Normal Pos. B C Pos. C D Pos. D	

Dimensions in inches (millimeters) and are subject to change without notice.

**Series 80 Mighty Mouse
ASAP Cordsets for High Speed Serial Data
Cable and Jacket Specifications**



TABLE 2: CABLE SPECIFICATIONS

	Cable Code						
	A	B	C	D	E	F	G
Cable Type	100BASE-T	100BASE-T	1000BASE-T	IEEE 1394	USB 2.0	100 Ω STP	100 Ω STP
Construction	UTP	Quad	UTP	Quad	STP	STP	STP
Number of Pairs	2	-	4	-	1	2	4
Number of Conductors	4	4	8	4	4	4	8
Conductor AWG	24	24	24	24	26 & 22	26	26
Conductor Material	SCCA	SCCA	SCCA	SCCA	SCCA	SCCA	SCCA
Conductor Insulation	FEP	FEP	FEP	FEP	FEP	FEP	FEP
Inner Shield	AM	AM	AM	AM	SCCB	AM	AM
Outer Shield	SCCB	SCCB	SCCB	SCCB	SCCB	SCCB	SCCB
Shield Coverage	95% Min.	95% Min.	95% Min.	95%	95%	95%	95%
Impedance	100 ± 10 Ω	100 ± 10 Ω	100 ± 10 Ω	110 ± 7 Ω	90 ± 13 Ω	100 ± 10 Ω	100 ± 10 Ω
Capacitance (pF/ft.)	13.0	13.0	14.5	12.5	13.0	13.0	13.0
Propagation Velocity	80%	80%	70%	80%	70%	80%	80%
Attenuation (dB/100 ft.) 10MHz	3.1	3.1	3.1	2.9			
Attenuation dB/100 ft.) 100 MHz	8.0	8.0	8.0	7.5			
Attenuation (dB/100 ft.) 500 MHz	-	-	-	15.5			
Attenuation (dB/100 ft.) 1GHz	-	-	-	22.5			
Near-End Crosstalk dB @10MHz	47	47	47.0	47.0			
Near-End Crosstalk dB @100MHz	32	32	32.0	32.0			
Dielectric Withstanding Voltage	1500 VAC	1500 VAC	1500 VAC	1500 VAC	1500 VAC	1500 VAC	1500 VAC




AM – Aluminum Mylar SCCA – Silver-Coated Copper Alloy SCCB – Silver-Coated Copper Braid.
Attenuation values are nominal. Crosstalk values are minimum.

TABLE 3: CABLE JACKET OPTIONS

	Jacket Code			
	F		P	
Jacket Material	Extruded FEP		Low Smoke/ Zero Halogen Polyurethane	
Typical Use	Airframe, Avionics, Missile		Dismounted Soldier, Shipboard, Armored Vehicle, Railcar	
UL Rating	94 V-0		94 V-0	
FAA Flammability	FAR 25.853(a) FAR 25.869(a)(4)		FAR 25.853(a)	
Temperature Range	-55° to +200° C.		-30 to +105° C.	
Resistance to Solvents	Excellent		Excellent	
Flexibility	Good		Excellent	
Abrasion Resistance	Excellent		Excellent	
Color	Translucent Blue		Black	
Smoke Index NES 711			24	
Toxicity Index NES 713			3.9	
Oxygen Index ASTM D-2863	95%		28%	
Overall Cable Diameter	Cable Code	Diameter	Cable Code	Diameter
	A	.210 (5.33)	A	.238 (6.05)
	B	.175 (4.45)	B	.218 (5.54)
	C	.265 (6.73)	C	.311 (7.90)
	D	.190 (4.83)	D	.236 (5.99)
	E	.200 (5.08)	E	.250 (6.35)
	F	.250 (6.35)	F	.300 (7.62)
G	.298 (7.57)	G	.344 (2.18)	

Dimensions in inches (millimeters) and are subject to change without notice.

TABLE 4: CABLE-TO-CONNECTOR INTERFACE (STRAIN RELIEF)

	Strain Relief Code		
	P	B	H
	 Polyamide Overmold	 Aluminum Backshell	 Heat-Shrink Boot
Material	Polyamide	6061-T6 Aluminum	Polyolefin
Max. Operating Temperature	105° C.	150° C.	105° C.
Hardness	75 Shore A	N/A	
Low temperature Brittle Point	< -45° C.	N/A	< -55° C.
Volume Resistivity	>10 ¹² Ohms cm	N/A	
Dielectric Strength	>12 kV/mm	N/A	>12 kV/mm
Flammability (UL 94)	V0 Vertical Burn	N/A	V0 Vertical Burn
Smoke Index (NES 711)	<10	N/A	9.0
Toxicity Index (NES 713)	<7	N/A	1.9
Resistance to Ozone	Excellent	N/A	Excellent
Oil Resistance	Good	N/A	Good
Polar Solvents (alcohol)	Poor	N/A	Good
Non-polar Solvents	Good	N/A	Good
Fuel Resistance	Good	N/A	Fair
Immersion	1 meter MIL-STD-810 Method 512	IP67	1 meter MIL-STD-810 Method 512
Part Number	(Not Sold Separately)	390MS076	770-003

Dimensions in inches (millimeters) and are subject to change without notice.

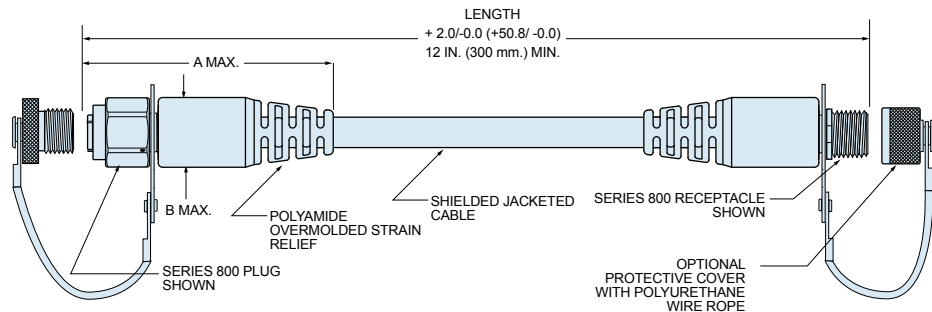
Series 80 Mighty Mouse ASAP Cordsets Dimensions Strain Relief Codes P, B and H



ASAP CORDSET DIMENSIONS

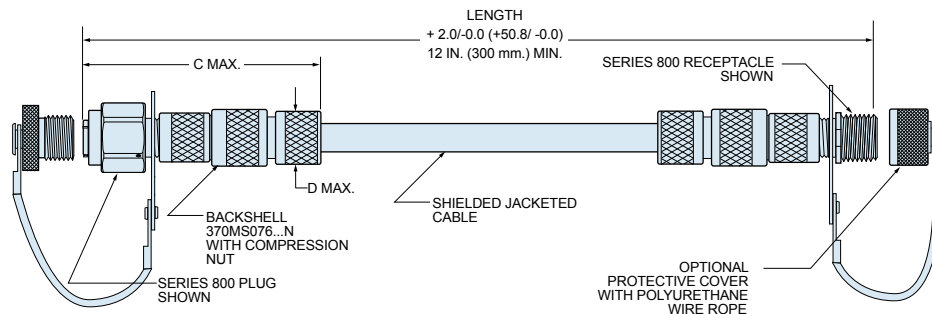
Strain relief Code P

Polyamide
Overmold



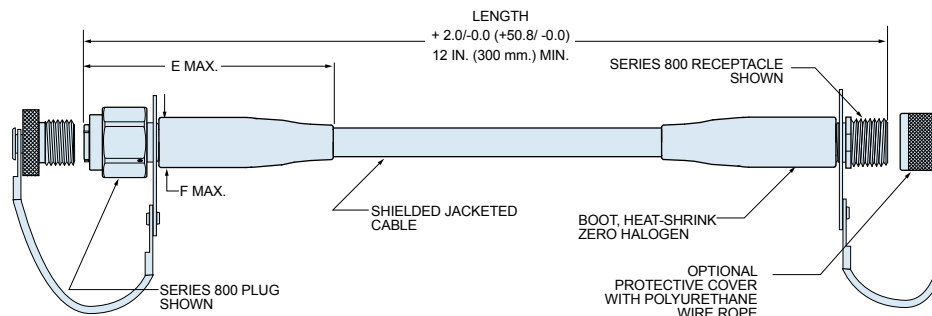
Strain relief Code B

Metal Backshell



Strain relief Code H

Heatshrink Boot



DIMENSIONS

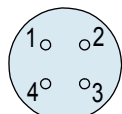
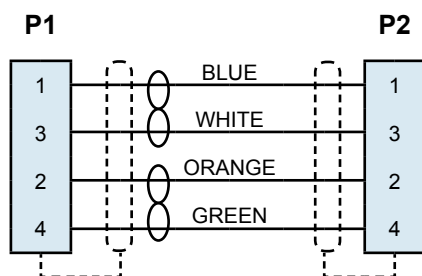
Cable Code	Type	Number of Connector Pins	A Max.		B Max.		C Max.		D Max.		E Max.		F Max.	
			In.	mm.	In.	mm.	In.	mm.	In.	mm.	In.	mm.	In.	mm.
A	2 Pair UTP 100 Ω	4	2.500	63.50	.560	14.22	2.100	53.34	.530	13.46	1.600	40.64	.470	11.94
B	Quad 100 Ω	4	2.500	63.50	.560	14.22	2.100	53.34	.530	13.46	1.600	40.64	.470	11.94
C	4 Pair UTP 100 Ω	10	2.500	63.50	.680	17.27	2.100	53.34	.600	15.24	1.600	40.64	.580	14.73
D	Quad 110 Ω	4	2.500	63.50	.560	14.22	2.100	53.34	.530	13.46	1.600	40.64	.470	11.94
E	USB 90 Ω	4	2.500	63.50	.560	14.22	2.100	53.34	.600	15.24	1.600	40.64	.470	11.94
F	2 Pair STP 100 Ω	4	2.500	63.50	.560	14.22	2.100	53.34	.600	15.24	1.600	40.64	.470	11.94
G	4 Pair STP 100 Ω	10	2.500	63.50	.680	17.27	2.100	53.34	.600	15.24	1.600	40.64	.580	14.73

Dimensions in inches (millimeters) and are subject to change without notice.

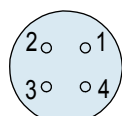
WIRING SCHEMATICS FOR TYPE A AND TYPE B CABLE



**WIRING DIAGRAM
CABLE TYPE A
100BASE-T UTP**

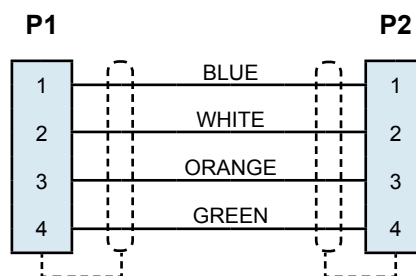


Pin Connector
Mating Face



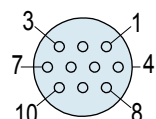
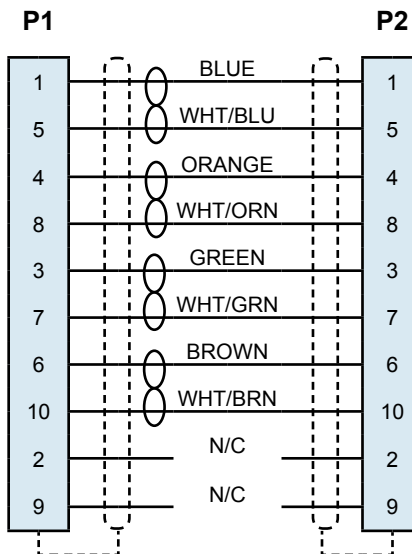
Socket Connector
Mating Face

**WIRING DIAGRAM
CABLE TYPE B
100BASE-T QUAD**

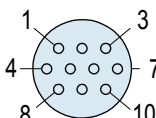


WIRING SCHEMATIC FOR TYPE C CABLE FOR GIGABIT ETHERNET APPLICATIONS

**WIRING DIAGRAM
CABLE TYPE C
1000BASE-T UTP**



Pin Connector
Mating Face



Socket Connector
Mating Face

**10 Pin Connector
for Gigabit
Ethernet**

Dimensions in inches (millimeters) and are subject to change without notice.

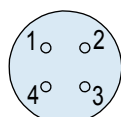
Series 80 Mighty Mouse
ASAP Cordsets Wiring Schematics
Type D and E Cables



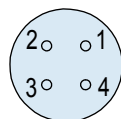
WIRING SCHEMATIC FOR TYPE D QUAD CABLE FOR IEEE 1394 APPLICATIONS



4 Pin Connector for
IEEE 1394

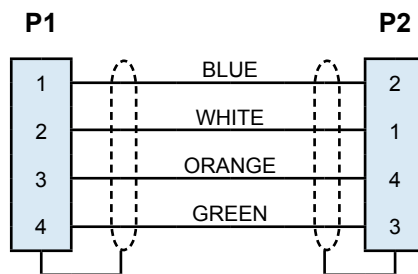


Pin Connector
Mating Face

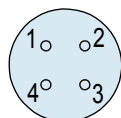
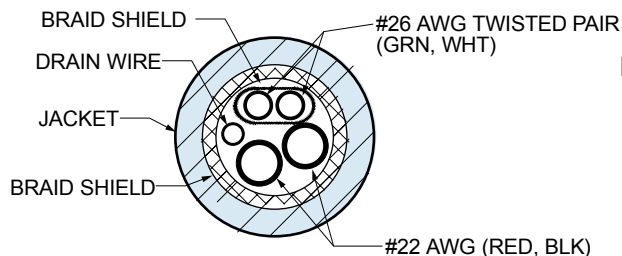


Socket Connector
Mating Face

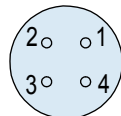
WIRING DIAGRAM
CABLE TYPE D
1394 QUAD



WIRING SCHEMATIC FOR TYPE E CABLE FOR USB 2.0 APPLICATIONS

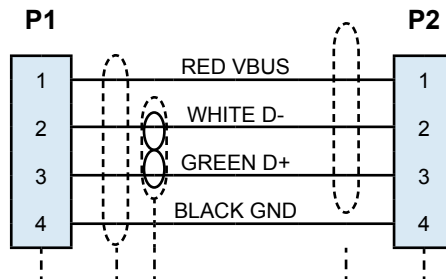


Pin Connector
Mating Face



Socket Connector
Mating Face

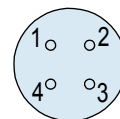
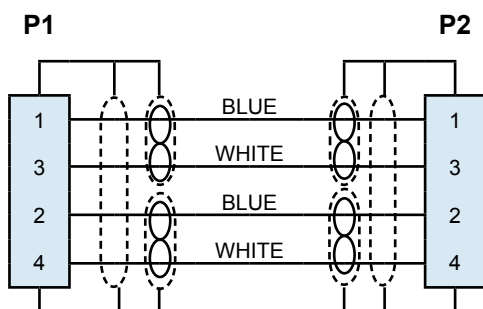
WIRING DIAGRAM
CABLE TYPE E
USB 2.0



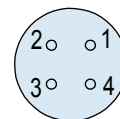
Dimensions in inches (millimeters) and are subject to change without notice.

WIRING SCHEMATIC FOR TYPE F CABLE FOR 100 OHM STP APPLICATIONS

WIRING DIAGRAM CABLE TYPE F TWO 100 OHM SHIELDED TWISTED PAIRS WITH OVERALL SHIELD



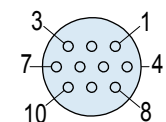
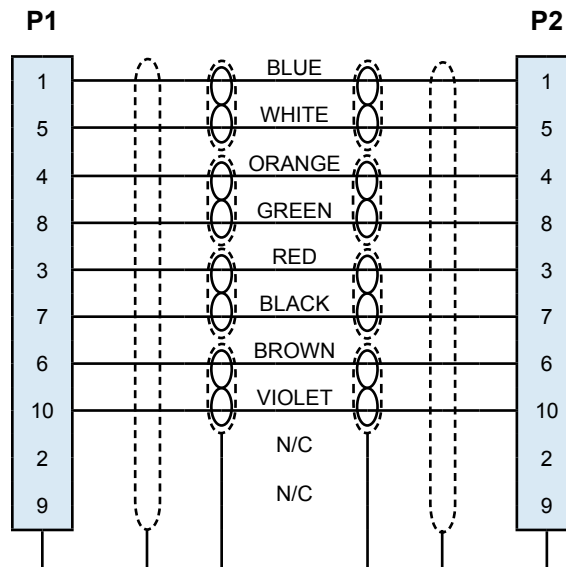
Pin Connector
Mating Face



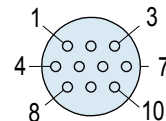
Socket Connector
Mating Face

WIRING SCHEMATIC FOR TYPE G CABLE FOR 100 OHM STP APPLICATIONS

WIRING DIAGRAM CABLE TYPE G FOUR STP



Pin Connector
Mating Face



Socket Connector
Mating Face

Dimensions in inches (millimeters) and are subject to change without notice.

© 2010 Glenair, Inc.

CAGE Code 06324

Printed in U.S.A.

GLEN AIR, INC. • 1211 AIR WAY • GLENDALE, CA 91201-2497 • 818-247-6000 • FAX 818-500-9912

www.glenair.com

K-10

E-Mail: sales@glenair.com

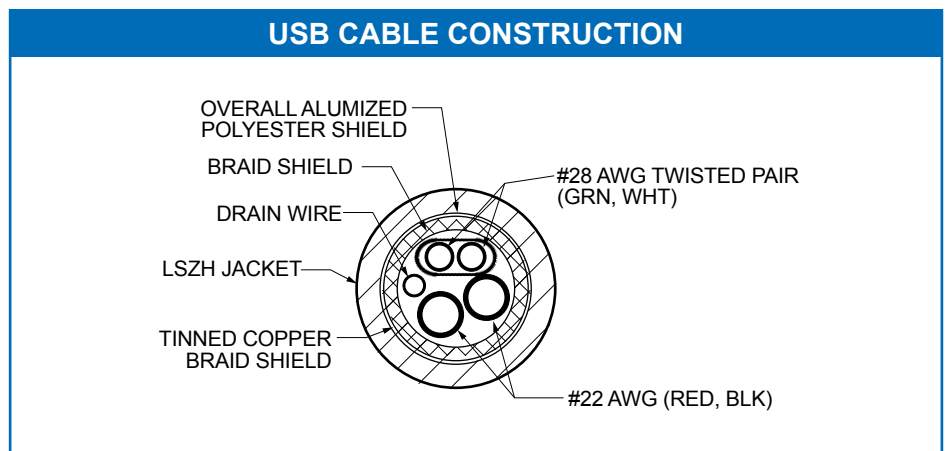
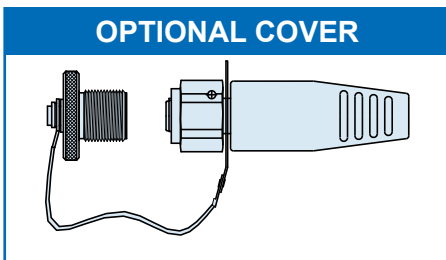
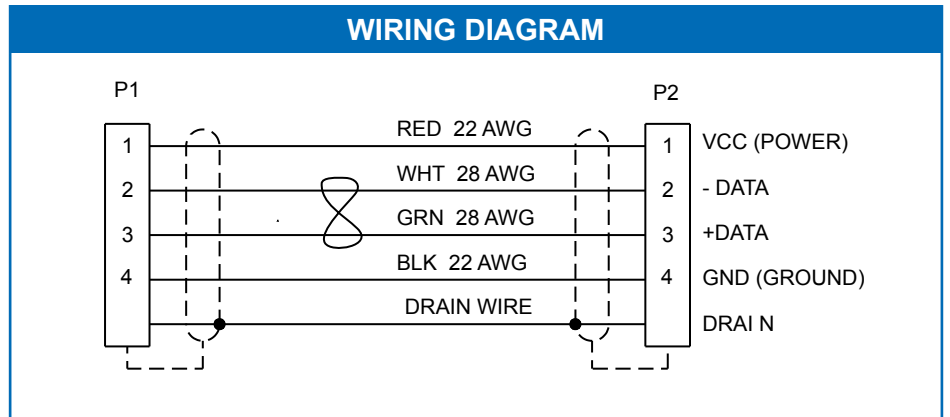
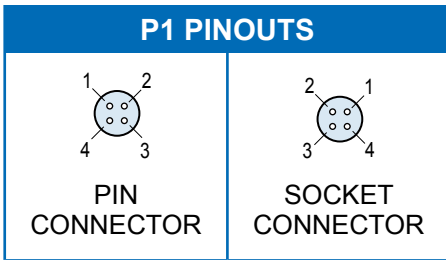
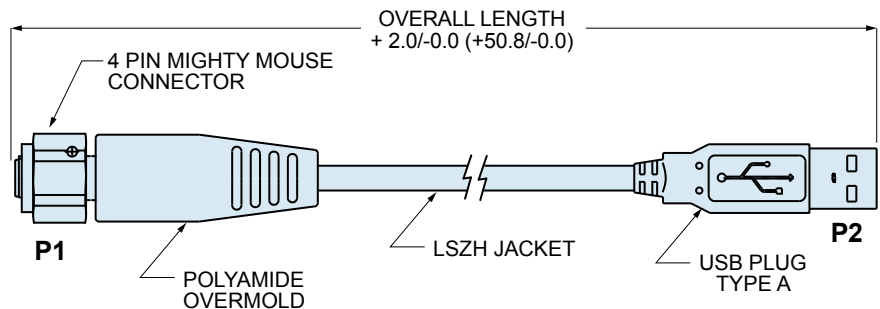
01-JANUARY-2010

Series 80 Mighty Mouse USB 2.0 Cordsets








Cordset, USB Type A Plug to Mighty Mouse Connector

These USB 2.0 cordsets have a standard USB type A plug on one end and a ruggedized Mighty Mouse plug on the other end. Low smoke zero halogen cable is UL VW-1 rated. #22 AWG power leads provide maximum current and low resistance. #28 AWG twisted pair data leads help reduce crosstalk. Rugged flexible molded cable ends provide strain relief and ingress protection. 100% tested for continuity and insulation resistance.



Dimensions in inches (millimeters) and are subject to change without notice.

MIGHTY MOUSE TO USB TYPE A PLUG CORDSET

Sample Part Number					
801-028	A	ZNU	N	A	-72
Connector Series	Connector Type	Shell Material / Finish	Protective Cover	Shell Pol. Pos.	Overall Length
 <p>800-036 Series 800 Cordset, UNF Threaded Coupling, Hex Nut</p>	A Plug, with Male Pin Contacts	M Aluminum / Electroless Nickel	P Metal Protective Cover, with Lanyard (for Mighty Mouse Connector)	Polarizing position depends on the connector series.	Overall Length In Inches
 <p>801-028 Series 801 Cordset, Double-Start Threaded Coupling</p>	B Plug, with Female Socket Contacts	NF Aluminum / Cadmium with Olive Drab	N No Covers Supplied	For Series 800 and 803: N (Normal), X, Y or Z	18
 <p>803-011 Series 803 Cordset, Push-Pull With Bayonet Lock Coupling</p>	C Receptacle, with Male Pin Contacts	ZNU Aluminum / Zinc-Nickel with Black Chromate			For Series 801 and 805: A (Normal), B, C, D
 <p>804-016 Series 804 Cordset, Quick-Disconnect Push-Pull</p>	D Receptacle, with Female Socket Contacts	MT Aluminum / Nickel-PTFE		For Series 804: Omit (Leave Blank) for Single Master Key A (Normal), B, C, D	72
 <p>805-012 Series 805 Cordset, Tri-Start Threaded Coupling with Ratchet and Ground Spring</p>		Z1 Stainless Steel / Passivated			120

Dimensions in inches (millimeters) and are subject to change without notice.

© 2010 Glenair, Inc.

CAGE Code 06324

Printed in U.S.A.

GLENAIR, INC. • 1211 AIR WAY • GLENDALE, CA 91201-2497 • 818-247-6000 • FAX 818-500-9912

www.glenair.com

K-12

E-Mail: sales@glenair.com

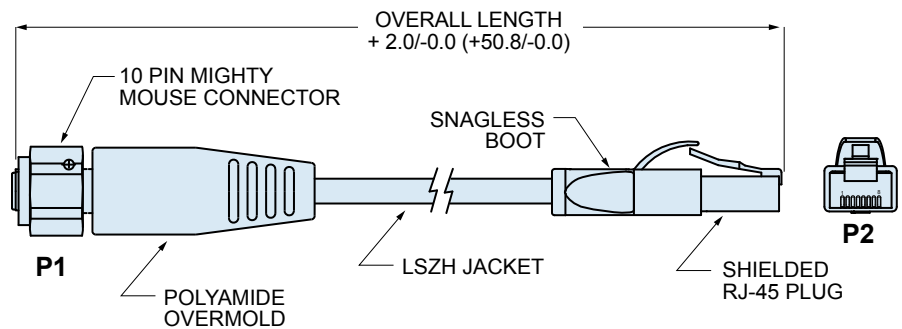
01-JANUARY-2010

Series 80 Mighty Mouse Cat 5e Ethernet RJ-45 Cordsets



Cordset, Cat 5e RJ-45 to Mighty Mouse Connector

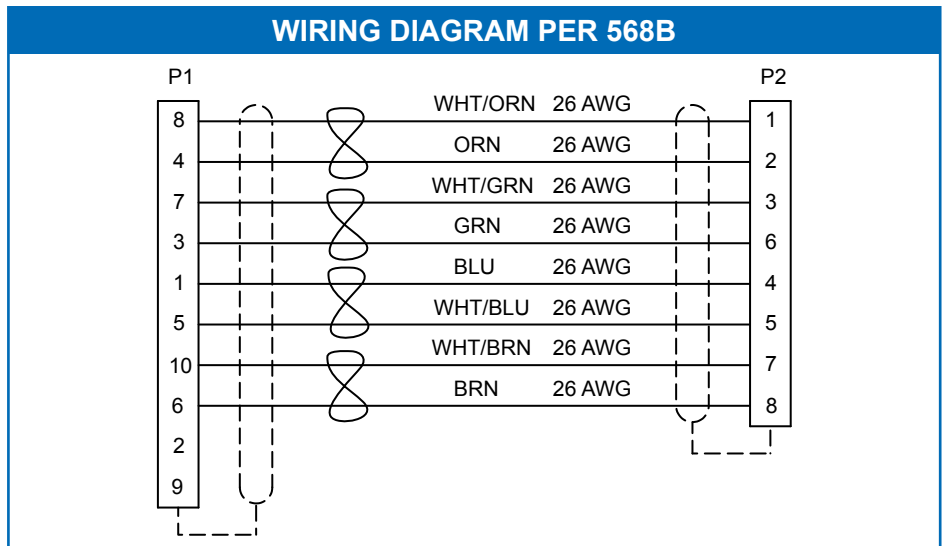
These Cat 5e cordsets have a standard shielded RJ-45 modular plug on one end and a ruggedized Mighty Mouse 10 pin plug on the other end. Low smoke zero halogen cable is UL VW-1 rated and RoHS compliant. Certified to TAI/EIA-568-B.2 . Cable has four #26 twisted pairs plus tinned copper braid shield. Mighty Mouse connector is overmolded with polyamide for strain relief and ingress protection. RJ-45 plug has molded snagless boot and 50 micrinsches gold plating on contacts. 100% tested for continuity and insulation resistance. Operating temperature -20° C to +60° C.



P1 PINOUTS

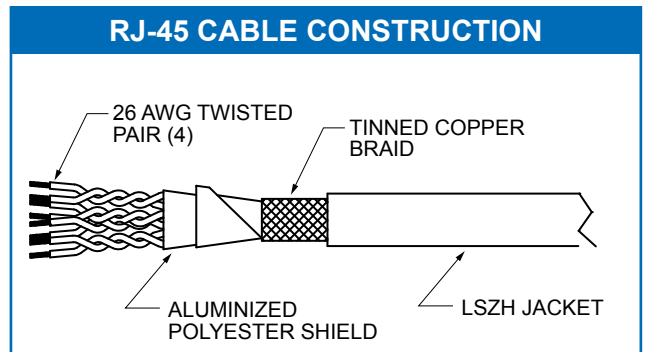
<p>PIN CONNECTOR</p>	<p>SOCKET CONNECTOR</p>
----------------------	-------------------------

OPTIONAL COVER



RJ-45 MATERIALS AND FINISHES

RJ-45 Housing	Polycarbonate, clear, UL94V-0
RJ-45 Contacts	Phosphor bronze, 50 μinches gold over 100 μinches Ni plating
Cable Jacket	LSZH, black
RJ-45 Shield	Brass, nickel plated
RJ-45 Boot	LSZH thermoplastic








Dimensions in inches (millimeters) and are subject to change without notice.



Series 80 Mighty Mouse Cat 5e Ethernet RJ-45 Cordsets

MIGHTY MOUSE TO RJ-45 ETHERNET PLUG CORDSET

Sample Part Number					
801-029	B	MT	N	A	-36
Connector Series	Connector Type P1 Mighty Mouse	Shell Material / Finish P1 Mighty Mouse	Protective Cover P1	Shell Keying Position	Overall Length
 800-037 Series 800 Cordset, UNF Threaded Coupling, Hex Nut	A Plug, with Male Pin Contacts	M Aluminum / Electroless Nickel	P Metal Protective Cover, with Lanyard (for Mighty Mouse Connector)	Polarizing position depends on the connector series.	Overall Length In Inches
 801-029 Series 801 Cordset, Double-Start Threaded Coupling	B Plug, with Female Socket Contacts	NF Aluminum / Cadmium with Olive Drab	N No Covers Supplied	For Series 800 and 803: N (Normal), X, Y or Z	18 36 72 120
 803-012 Series 803 Cordset, Push-Pull With Bayonet Lock Coupling	C Receptacle, with Male Pin Contacts	ZNU Aluminum / Zinc-Nickel with Black Chromate		For Series 801 and 805: A (Normal), B, C, D	
 804-017 Series 804 Cordset, Quick-Disconnect Push-Pull	D Receptacle, with Female Socket Contacts	MT Aluminum / Nickel-PTFE		For Series 804: Omit (Leave Blank) for Single Master Key A (Normal), B, C, D	
 805-013 Series 805 Cordset, Tri-Start Threaded Coupling with Ratchet and Ground Spring		Z1 Stainless Steel / Passivated			

Dimensions in inches (millimeters) and are subject to change without notice.

Series 80 Mighty Mouse
Backshells and Accessories
Product Selection Guide



SECTION L SERIES 80 ACCESSORY PRODUCT SELECTION GUIDE

Heat-Shrink Boots
Page L-3



Heat-Shrink Boots

Use heat-shrink boots for strain relief and environmental protection. These boots fit all Series 80 connectors. Available in straight or 90° versions.

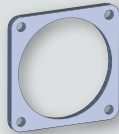
Hex Nuts
Page L-6



Hex Nuts

Mighty Mouse jam nut receptacles are supplied with low-profile spanner nuts. Optional hex nuts are available with safety wire holes.

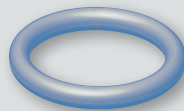
Flange Gaskets
Page L-7



Flange Gaskets

Die-cut flange gaskets provide panel sealing for flange mount receptacles. Available in fluorosilicone, Viton® and conductive fluorosilicone.

O-rings
Page L-10



Replacement O-rings

Replace lost or damaged O-rings. Available in fluorosilicone, EPDM and conductive fluorosilicone, these O-rings fit Mighty Mouse jam nut receptacles.

Strain Relief Clamps
Page L-14



Strain Relief Clamps

These low profile clamps provide strain relief for wire bundles. These clamps are specially designed to minimize size and weight.

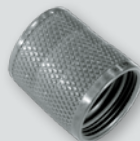
EMI Adapters
Page L-16



Thread-on EMI Adapters for BAND-IT® Shield Termination

Available with spin coupling or direct coupling, these adapters can be ordered in various diameters and lengths. Right angle and 45° versions are available.

Shorting Shell
Page L-12



Backshell for Shorting or Switching Applications

These direct coupled "shorting caps" are used to enclose jumper wires, resistors, or bussed wires.

Environmental Backshells
Page L-20



Environmental Backshells

These backshells are reduced in size compared to standard Glenair Series 37 environmental backshells. Choose saddle clamp or compression nut.

EMI Backshells
Page L-22



EMI Backshells

These backshells are reduced in size compared to standard Glenair Series 38 backshells. Choose saddle clamp or compression nut for strain relief.

Dimensions in inches (millimeters) and are subject to change without notice.

About Accessory Thread Sizes For Series 80 Connectors

Series 80 Connectors accept a variety of thread-on backshells and adapters. This section contains ordering information for these fittings, arranged by thread size.

The Accessory Thread Table below identifies the accessory thread sizes for each Series 80 product type. Find the correct accessory thread code from this table, and use this information to identify the correct accessory part number from the following pages.

Some Mighty Mouse sizes are compatible with MIL-DTL- 38999 Series I/II accessories.

The table below lists the D38999 shell sizes which share the same threads with Series 80 connectors.

For example, any accessory which fits a 38999 Series II shell size 8 connector will also fit a Series 800 shell size 7 connector.

How to Order a 38999 Accessory Compatible with Series 80 Connectors:

- 1 Find the Series 80 shell size and thread size in the Accessory Thread Table below.
- 2 Find the corresponding 38999 shell size in the right hand column of the table.
- 3 Find a suitable accessory in Glenair's catalog. Use connector designator "F" and the correct shell size from the table.

Accessory Thread Table

Find the correct accessory thread code from this table, and use this information to identify the correct accessory part number from the following pages. Series 802 "Aqua Mouse" connectors are intended for high pressure submersible applications. The accessories in this section are not recommended for use on Series 802 connectors. Contact Glenair for information on special heavy-duty stainless steel accessories for the Series 802.

Accessory Thread	Size Code	Shell Size					
		Series 800	Series 801	Series 803	Series 804	Series 805	38999 Series II
.2500-32 UNEF	05	5	5	5	5		
.3125-32 UNEF	06	6	6	6	6		
.3750-32 UNEF	11					8	
.4375-28 UNEF	07	7	7	7	7	9	8
.5000-28 UNEF	08	8	8	8	8	10	
.5625-24 UNEF	09	9	9	9	9	11	10
.6250-24 UNEF	10	10	10	10	10	12	
.6875-24 UNEF	12	12	13	12	12		12
.7500-20 UNEF	13					15	
.9375-20 UNEF	14		16, 17	14, 15	14, 15	18, 19	16
1.1875-18 UNEF	17		21			23	20

Using 38999 Series II Accessories with Series 80 Connectors- Some Examples

1 Using a Swing Arm backshell on a Mighty Mouse connector.

Connector Part Number
801-008-16M9-19PA

Shell Size 9

Shell size 9 Series 801 corresponds to shell size 10 38999 Series II. Use Connector Designator "F" and shell size 10 in the part number:

Backshell Part Number
319F064XO10

Connector Designator F

Shell Size 10

2 Using a TAG® Ring backshell on a Mighty Mouse connector.

Connector Part Number
804-002-06NF14-55P

Shell Size 14

Shell size 14 Series 804 corresponds to shell size 16 38999 Series II. Use Connector Designator "F" and shell size "16" in the part number:

Backshell Part Number
400F5001NF1606L6

Connector Designator F

Shell Size 16

Dimensions in inches (millimeters) and are subject to change without notice.

Shrink Boots- Straight and Right Angle, for Series 80 Connectors



Protect Your Cable Harness with heat-shrinkable boots. These easy-to-use boots provide excellent electrical, mechanical and environmental protection. Heating the boot causes the boot to shrink onto the connector and cable. An optional adhesive lining bonds the boot to the connector and cable and fills small gaps for a complete seal. Choose straight cable exit or right angle exit. These lipped boots attach directly to Series 80 Mighty Mouse connectors with integral band platform. After shrinking, the boot lip locks into groove. Choose Type 1 high performance elastomer for extreme temperatures and excellent resistance to fuels and oils, Type 2 non-halogenated flame-retardant polyolefin for use where limited fire hazard is required.



Material Selection Guide

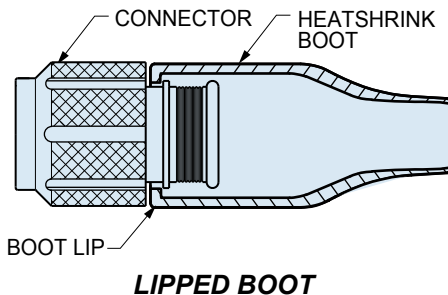
Attribute	Type 1 High Performance Semi-Rigid Elastomer	Type 2 Zero Halogen Semi-Rigid Polyolefin
Continuous Operating Temp.	-75° to +150°C	-30° to +125°C
Resistance to Fuels, Oils	Excellent	Very Good
Low Toxicity, Zero Halogen	No	Yes

Type 1 High performance Elastomer

Semi-rigid high performance boots combine excellent resistance to fuels, oils and solvents with superior performance at extreme temperatures. Rated for 3000 hours continuous operation at +150° C, these boots fit most standard boot adapters for circular connectors. Material meets the requirements of VG95343 Type 6, BSG 198-5-DE, EN62329-102 and SAE AS5258 Type H. These boots are recommended for demanding applications such as military vehicles and petrochemical exploration. Black color.

Type 2 Zero halogen

Halogen-free polyolefin boots meet low smoke and toxicity requirements of shipboard, transit and aircraft systems. These Low Smoke/Zero Halogen (LSZH) boots fit most standard shrink boot adapters, including M85049 types along with Glenair Series 31 and Series 44 adapters. Oxygen index greater than 30%, smoke index less than 20, and toxicity index under 3 per 100 grams. Material meets requirements of NAVSEA 5617649, VG95343 Part 29, BSG 198-5-DF, EN62329-101 and SAE AS5258 Type G. Good resistance to oils, fuels and solvents. These boots provide strain relief and environmental protection to connector/cable transitions. Temperature rating -30° to +125° C. Black color.



Lipped Straight Shrink Boots- Type 1 High Performance Elastomer

- -75° C to +150° C
- Excellent resistance to fuels, oils, solvents and heat.



Boot Size	Shell Size		Part Number
	Series 800, 801, 802, 803, 804	Series 805	Pre-Coated with W1 Hi-Temp Hot-Melt Adhesive
1	5	N/A	809S060-1
2	6, 7	8, 9	809S060-2
3	8, 9	10, 11	809S060-3
4	10, 12, 13	12, 15	809S060-4
5	14, 15, 16, 17	18, 19	809S060-5
6	21	23	809S060-6

Lipped Straight Shrink Boots- Type 2 Zero Halogen, Semi-Rigid

- Low Smoke, Zero Halogen
- Meets U.S. and E.U. toxicity requirements.



Boot Size	Shell Size		Part Number
	Series 800, 801, 802, 803, 804	Series 805	Pre-Coated with W1 Hi-Temp Hot-Melt Adhesive
1	5	N/A	809S060-1H
2	6, 7	8, 9	809S060-2H
3	8, 9	10, 11	809S060-3H
4	10, 12, 13	12, 15	809S060-4H
5	14, 15, 16, 17	18, 19	809S060-5H
6	21	23	809S060-6H

Lipped Right Angle Boots- Type 1 High Performance Elastomer

- -75° C to +150° C
- Excellent resistance to fuels, oils, solvents and heat.



Boot Size	Shell Size		Part Number
	Series 800, 801, 802, 803, 804	Series 805	Pre-Coated with W1 Hi-Temp Hot-Melt Adhesive
1*	5	N/A	809A060-1
2	6, 7	8, 9	809A060-2
3	8, 9	10, 11	809A060-3
4	10, 12, 13	12, 15	809A060-4
5	14, 15, 16, 17	18, 19	809A060-5
6	21	23	809A060-6

* Size 1 right angle boot does not have lip. See drawing on following page.

Lipped Right Angle Shrink Boots- Type 2 Zero Halogen, Semi-Rigid

- Low Smoke, Zero Halogen
- Meets U.S. and E.U. toxicity requirements.

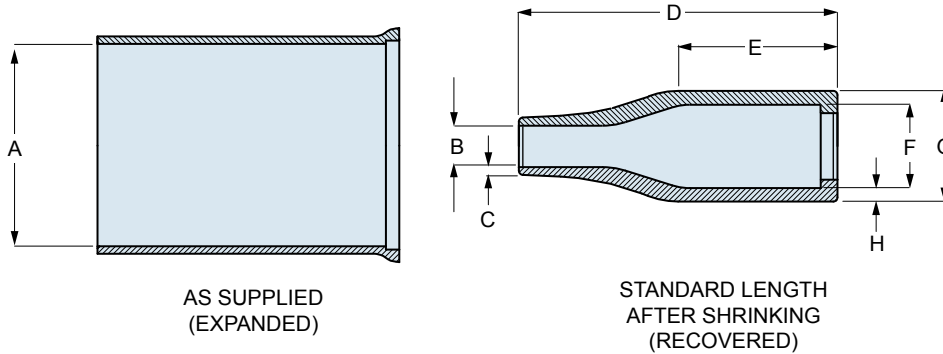


Boot Size	Shell Size		Part Number
	Series 800, 801, 802, 803, 804	Series 805	Pre-Coated with W1 Hi-Temp Hot-Melt Adhesive
1*	5	N/A	809A060-1H
2	6, 7	8, 9	809A060-2H
3	8, 9	10, 11	809A060-3H
4	10, 12, 13	12, 15	809A060-4H
5	14, 15, 16, 17	18, 19	809A060-5H
6	21	23	809A060-6H

* Size 1 right angle boot does not have lip. See drawing on following page.

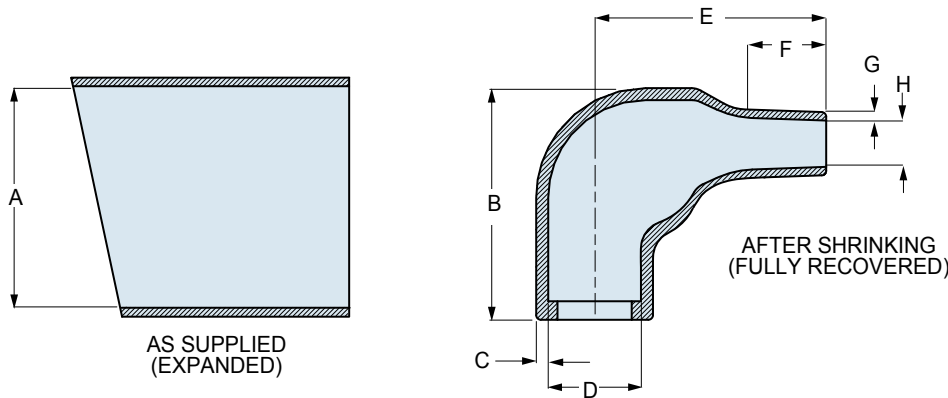
Dimensions in inches (millimeters) and are subject to change without notice.

Lipped Straight Shrink Boots- Dimensions



Boot Size	A Min.		B Max.		C ± 20%		D ± 10%		E Ref.		F Max.		G Ref.		H ± 30%		J ± 10%	
	In.	mm.	In.	mm.	In.	mm.	In.	mm.	In.	mm.	In.	mm.	In.	mm.	In.	mm.	In.	mm.
1	.354	9.0	.079	2.0	.028	0.7	.984	25.0	.551	14.0	.217	5.5	.295	7.5	.039	1.0	N/A	N/A
2	.669	17.0	.140	3.56	.030	0.8	1.500	38.1	.750	19.1	.300	7.6	.410	10.4	.055	1.4	N/A	N/A
3	.945	24.0	.197	5.0	.035	0.9	1.496	38.0	.748	19.0	.413	10.5	.520	13.2	.063	1.6	1.024	26.0
4	1.181	30.0	.236	6.0	.039	1.0	2.165	55.0	1.181	30.0	.551	14.0	.693	17.6	.071	1.8	1.693	43.0
5	1.260	32.0	.276	7.0	.047	1.2	2.638	67.0	1.299	33.0	.709	18.0	.850	21.6	.071	1.8	1.850	47.0
6	1.693	43.0	.394	10.0	.051	1.3	3.898	99.0	2.165	55.0	1.102	28.0	1.276	32.4	.087	2.2	3.150	80.0

Lipped Right Angle Shrink Boots- Dimensions



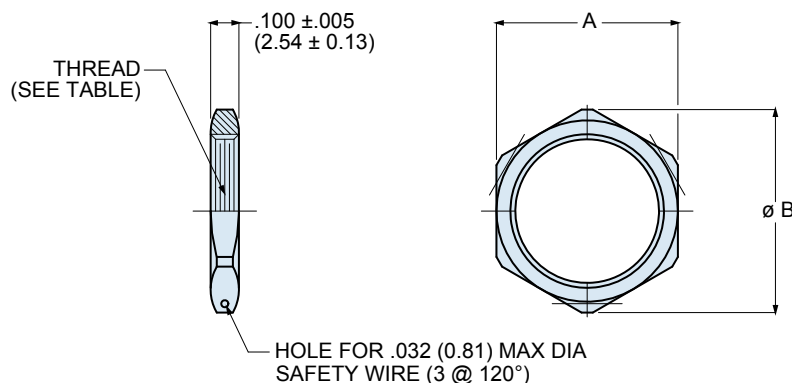
Boot Size	A Min.		B Ref.		C ± 30%		D Max.		E ± 20%		F Ref.		G ± 20%		H Max.	
	In.	mm.	In.	mm.	In.	mm.	In.	mm.	In.	mm.	In.	mm.	In.	mm.	In.	mm.
1	.354	9.0	.492	12.5	.039	1.0	.236	6.0	.413	10.5	NA	NA	.028	0.7	.079	2.0
2	.669	17.0	.787	20.0	.051	1.3	.315	8.0	.787	20.0	.276	7.0	.028	0.7	.138	3.5
3	.945	24.0	.984	25.0	.063	1.6	.394	10.0	.984	25.0	.394	10.0	.035	0.9	.197	5.0
4	1.181	30.0	1.063	27.0	.071	1.8	.532	13.5	1.260	32.0	.472	12.0	.039	1.0	.217	5.5
5	1.260	32.0	1.260	32.0	.071	1.8	.709	18.0	1.535	39.0	.591	15.0	.047	1.2	.276	7.0
6	1.693	43.0	1.850	47.0	.087	2.2	1.102	28.0	2.165	55.0	.709	18.0	.059	1.5	.394	10.0

Dimensions in inches (millimeters) and are subject to change without notice.

Hex Jam Nuts for Mighty Mouse Receptacles



Replace low-profile spanner-style jam nuts with hex nuts for applications where jam nuts must be safety-wired to prevent loosening. These hex nuts fit all standard Series 80 jam nut receptacles except for Series 803 bayonet-coupling versions. Use Glenair Modification Code 501 to specify hex nuts to be supplied with connector.



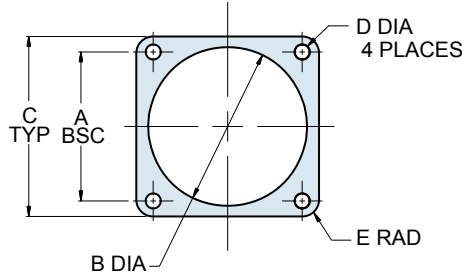
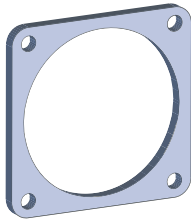
Thread Size Class 2B	Part Number						Dimensions			
	Aluminum				Stainless Steel		A Hex		B Dia.	
	Electroless Nickel	Olive Drab Cadmium	Black Zinc Nickel	Nickel-PTFE	Passivated	Black Zinc- Cobalt	In.	mm.	In.	mm.
.2500-32 UNEF	809-035M01W	809-035NF01W	809-035ZNU01W	809-035MT01W	809-035Z101W	809-035ZC01W	.375	9.53	.403	10.24
.3125-28 UN	809-035M02W	809-035NF02W	809-035ZNU02W	809-035MT02W	809-035Z102W	809-035ZC02W	.4375	11.11	.475	12.07
.3125-32 UNEF	809-035M03W	809-035NF03W	809-035ZNU03W	809-035MT03W	809-035Z103W	809-035ZC03W	.4375	11.11	.475	12.07
.3750-28 UN	809-035M04W	809-035NF04W	809-035ZNU04W	809-035MT04W	809-035Z104W	809-035ZC04W	.500	12.70	.547	13.89
.4375-28 UNEF	809-035M05W	809-035NF05W	809-035ZNU05W	809-035MT05W	809-035Z105W	809-035ZC05W	.5625	14.29	.620	15.75
.5625-24 UNEF	809-035M06W	809-035NF06W	809-035ZNU06W	809-035MT06W	809-035Z106W	809-035ZC06W	.6875	17.46	.755	19.18
.5625-28 UNEF	809-035M16W	809-035NF16W	809-035ZNU16W	809-035MT16W	809-035Z116W	809-035ZC16W	.6875	17.46	.755	19.18
.5625-32 UN	809-035M07W	809-035NF07W	809-035ZNU07W	809-035MT07W	809-035Z107W	809-035ZC07W	.6875	17.46	.755	19.18
.6250-28 UN	809-035M08W	809-035NF08W	809-035ZNU08W	809-035MT08W	809-035Z108W	809-035ZC08W	.750	19.05	.830	21.08
.6875-28 UN	809-035M09W	809-035NF09W	809-035ZNU09W	809-035MT09W	809-035Z109W	809-035ZC09W	.8125	20.64	.898	22.81
.7500-28 UN	809-035M10W	809-035NF10W	809-035ZNU10W	809-035MT10W	809-035Z110W	809-035ZC10W	.875	22.23	.970	24.64
.8125-28 UN	809-035M17W	809-035NF17W	809-035ZNU17W	809-035MT17W	809-035Z117W	809-035ZC17W	.9375	23.81	1.030	26.16
.8750-28 UN	809-035M11W	809-035NF11W	809-035ZNU11W	809-035MT11W	809-035Z111W	809-035ZC11W	1.000	25.40	1.078	27.38
.9375-20 UNEF	809-035M12W	809-035NF12W	809-035ZNU12W	809-035MT12W	809-035Z112W	809-035ZC12W	1.0625	26.99	1.187	30.15
.9375-28 UN	809-035M13W	809-035NF13W	809-035ZNU13W	809-035MT13W	809-035Z113W	809-035ZC13W	1.0625	26.99	1.187	30.15
1.0000-28 UN	809-035M18W	809-035NF18W	809-035ZNU18W	809-035MT18W	809-035Z118W	809-035ZC18W	1.125	28.58	1.200	30.48
1.0625-20 UN	809-035M14W	809-035NF14W	809-035ZNU14W	809-035MT14W	809-035Z114W	809-035ZC14W	1.1875	30.16	1.264	32.11
1.1250-28 UN	809-035M15W	809-035NF15W	809-035ZNU15W	809-035MT15W	809-035Z115W	809-035ZC15W	1.250	31.75	1.325	33.66
1.1875-28 UN	809-035M19W	809-035NF19W	809-035ZNU19W	809-035MT19W	809-035Z119W	809-035ZC19W	1.3125	33.34	1.415	35.94
1.2500-28 UN	809-035M20W	809-035NF20W	809-035ZNU20W	809-035MT20W	809-035Z120W	809-035ZC20W	1.375	34.93	1.490	37.85
1.5000-28 UN	809-035M21W	809-035NF21W	809-035ZNU21W	809-035MT21W	809-035Z121W	809-035ZC21W	1.625	41.28	1.750	44.45

Dimensions in inches (millimeters) and are subject to change without notice.

Series 80 Mighty Mouse
Backshells and Accessories
Flange Gaskets 809-108



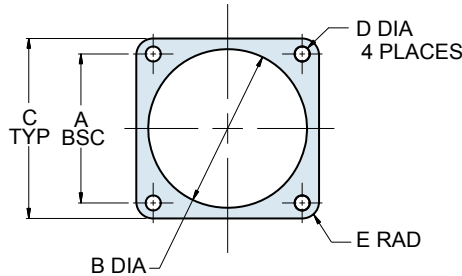
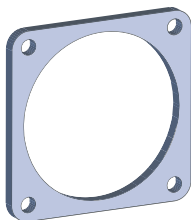
Flange Gaskets for Series 800 Mighty Mouse Receptacles



These flange gaskets provide sealing between square flange receptacles and the mounting panel. Choose fluorosilicone, Viton®, or conductive fluorosilicone material (Chomerics 1298 silver-filled). Gaskets are .032" (0.8) thick.

Shell Size	Part Number			Dimensions									
	Fluorosilicone	Viton®	Conductive Fluorosilicone	A Bsc.		B Dia.		C Typ.		D Dia.		E Rad.	
				In.	mm.	In.	mm.	In.	mm.	In.	mm.	In.	mm.
5	809-108F01	809-108V01	809-108X01	.363	9.22	.342	8.69	.527	13.39	.093	2.36	.078	1.98
6	809-108F02	809-108V02	809-108X02	.423	10.74	.405	10.29	.588	14.94	.093	2.36	.078	1.98
7	809-108F03	809-108V03	809-108X03	.483	12.27	.467	11.86	.650	16.51	.125	3.18	.078	1.98
8	809-108F04	809-108V04	809-108X04	.542	13.77	.530	13.46	.709	18.01	.125	3.18	.078	1.98
9	809-108F05	809-108V05	809-108X05	.719	18.26	.593	15.06	.938	23.83	.125	3.18	.105	2.67
10	809-108F06	809-108V06	809-108X06	.719	18.26	.655	16.64	.938	23.83	.125	3.18	.105	2.67
12	809-108F07	809-108V07	809-108X07	.812	20.62	.780	19.81	1.031	26.19	.125	3.18	.105	2.67

Flange Gaskets for Series 801 Mighty Mouse Receptacles

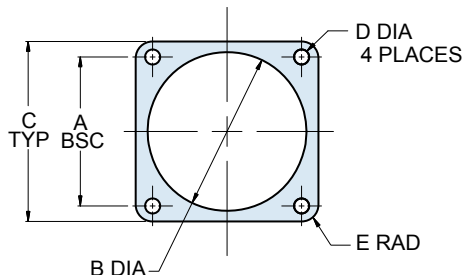
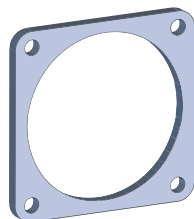


These flange gaskets provide sealing between square flange receptacles and the mounting panel. Choose fluorosilicone, Viton®, or conductive fluorosilicone material (Chomerics 1298 silver-filled). Gaskets are .032" (0.8) thick.

Shell Size	Part Number			Dimensions									
	Fluorosilicone	Viton®	Conductive Fluorosilicone	A Bsc.		B Dia.		C Typ.		D Dia.		E Rad.	
				In.	mm.	In.	mm.	In.	mm.	In.	mm.	In.	mm.
5	809-108F11	809-108V11	809-108X11	.363	9.22	.342	8.69	.530	13.46	.093	2.36	.078	1.98
6	809-108F12	809-108V12	809-108X12	.423	10.74	.405	10.29	.590	14.99	.093	2.36	.078	1.98
7	809-108F13	809-108V13	809-108X13	.483	12.27	.467	11.86	.650	16.51	.093	2.36	.078	1.98
8	809-108F14	809-108V14	809-108X14	.545	13.84	.530	13.46	.712	18.08	.093	2.36	.078	1.98
9	809-108F16	809-108V16	809-108X16	.607	15.42	.560	14.22	.850	21.59	.125	3.18	.105	2.67
10	809-108F15	809-108V15	809-108X15	.670	17.02	.655	16.64	.890	22.61	.125	3.18	.105	2.67
13	809-108F17	809-108V17	809-108X17	.812	20.62	.842	21.39	1.030	26.16	.125	3.18	.105	2.67
16	809-108F18	809-108V18	809-108X18	.981	24.92	1.030	26.16	1.219	30.96	.125	3.18	.105	2.67
17	809-108F19	809-108V19	809-108X19	.812	20.62	1.092	27.74	1.280	32.51	.125	3.18	.105	2.67
21	809-108F43	809-108V43	809-108X43	1.322	33.58	1.332	33.83	1.570	39.88	.125	3.18	.105	2.67

Dimensions in inches (millimeters) and are subject to change without notice.

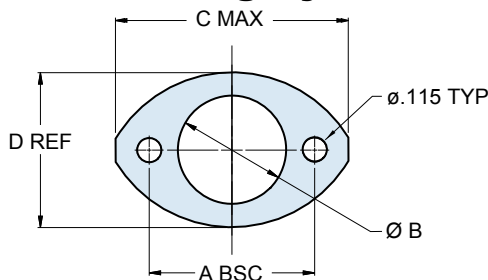
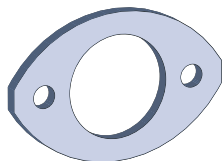
Flange Gaskets for Series 802 Mighty Mouse Receptacles



These flange gaskets provide sealing between square flange receptacles and the mounting panel. Choose fluorosilicone, Viton, or neoprene material. Gaskets are .032" (0.8) thick.

Shell Size	Part Number			Dimensions									
	Fluorosilicone	Viton®	Neoprene	A Bsc.		B Dia.		C Typ.		D Dia.		E Rad.	
				In.	mm.	In.	mm.	In.	mm.	In.	mm.	In.	mm.
5	809-108F51	809-108V51	809-108N51	.500	12.70	.448	11.38	.885	22.48	.125	3.18	.105	2.67
6	809-108F52	809-108V52	809-108N52	.625	15.88	.572	14.53	1.010	25.65	.125	3.18	.105	2.67
7	809-108F53	809-108V53	809-108N53	.688	17.48	.635	16.13	1.072	27.23	.125	3.18	.105	2.67
8	809-108F54	809-108V54	809-108N54	.750	19.05	.698	17.73	1.135	28.83	.125	3.18	.105	2.67
9	809-108F55	809-108V55	809-108N55	.812	20.62	.760	19.30	1.195	30.35	.125	3.18	.105	2.67
10	809-108F56	809-108V56	809-108N56	.875	22.23	.822	20.88	1.260	32.00	.125	3.18	.105	2.67
12	809-108F57	809-108V57	809-108N57	.938	23.83	.885	22.48	1.323	33.60	.125	3.18	.105	2.67
14	809-108F58	809-108V58	809-108N58	1.125	28.58	1.072	27.23	1.510	38.35	.125	3.18	.105	2.67
15	809-108F59	809-108V59	809-108N59	1.188	30.18	1.135	28.83	1.573	39.95	.125	3.18	.105	2.67
21	809-108F60	809-108V60	809-108N60	1.375	34.93	1.448	36.78	1.760	44.70	.125	3.18	.105	2.67

Flange Gaskets for Series 803 Mighty Mouse Receptacles



These flange gaskets provide sealing between elliptical flange receptacles and the mounting panel. Choose fluorosilicone, Viton®, or conductive fluorosilicone material (Chomerics 1298 silver-filled). Gaskets are .032" (0.8) thick.

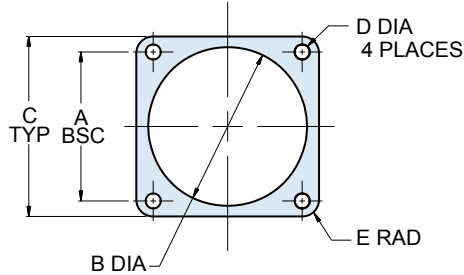
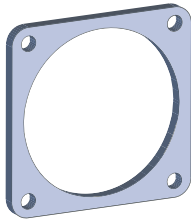
Shell Size	Part Number			Dimensions							
	Fluorosilicone	Viton®	Conductive Fluorosilicone	A Bsc.		B Dia.		C Max.		D Ref.	
				In.	mm.	In.	mm.	In.	mm.	In.	mm.
5	809-108F31	809-108V31	809-108X31	.513	13.03	.345	8.00	.710	18.03	.460	11.68
6	809-108F32	809-108V32	809-108X32	.598	15.19	.405	10.29	.795	20.19	.522	13.26
7	809-108F33	809-108V33	809-108X33	.708	17.98	.475	12.07	.900	22.86	.590	14.99
8	809-108F34	809-108V34	809-108X34	.964	24.51	.545	13.84	1.160	29.46	.670	17.02
9	809-108F35	809-108V35	809-108X35	1.017	25.83	.605	15.37	1.215	30.86	.721	18.31
10	809-108F36	809-108V36	809-108X36	1.101	27.97	.682	17.32	1.295	32.89	.795	20.19
12	809-108F37	809-108V37	809-108X37	1.204	30.58	.757	19.23	1.400	35.56	.874	22.20
14	809-108F38	809-108V38	809-108X38	1.280	32.51	.910	23.11	1.555	39.50	1.050	26.67
15	809-108F39	809-108V39	809-108X39	1.370	34.80	.970	24.64	1.640	41.66	1.150	29.21

Dimensions in inches (millimeters) and are subject to change without notice.

Series 80 Mighty Mouse
Backshells and Accessories
Flange Gaskets 809-108



Flange Gaskets for Series 805 Mighty Mouse Receptacles



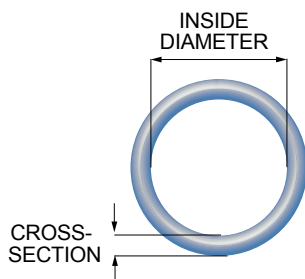
These flange gaskets provide sealing between square flange receptacles and the mounting panel. Choose fluorosilicone, Viton®, or conductive fluorosilicone material (Chomerics 1298 silver-filled). Gaskets are .032" (0.8) thick.

Shell Size	Part Number			Dimensions									
	Fluorosilicone	Viton®	Conductive Fluorosilicone	A Bsc.		B Dia.		C Typ.		D Dia.		E Rad.	
				In.	mm.	In.	mm.	In.	mm.	In.	mm.	In.	mm.
8	809-108F20	809-108V20	809-108X20	.660	16.76	.530	13.46	.850	21.59	.093	2.36	.078	1.98
9	809-108F21	809-108V21	809-108X21	.723	18.36	.590	14.99	.913	23.19	.093	2.36	.078	1.98
10	809-108F22	809-108V22	809-108X22	.785	19.94	.660	16.76	.975	24.77	.093	2.36	.078	1.98
11	809-108F23	809-108V23	809-108X23	.848	21.54	.720	18.29	1.039	26.39	.093	2.36	.078	1.98
12	809-108F24	809-108V24	809-108X24	.909	23.09	.780	19.81	1.099	27.91	.093	2.36	.078	1.98
15	809-108F25	809-108V25	809-108X25	1.058	26.87	.970	24.64	1.288	32.72	.125	3.18	.105	2.67
18	809-108F26	809-108V26	809-108X26	1.255	31.88	1.160	29.46	1.475	37.47	.125	3.18	.105	2.67
19	809-108F27	809-108V27	809-108X27	1.327	33.71	1.220	30.99	1.537	39.04	.125	3.18	.105	2.67
23	809-108F28	809-108V28	809-108X28	1.570	39.88	1.458	37.03	1.797	45.64	.125	3.18	.105	2.67

Dimensions in inches (millimeters) and are subject to change without notice.

O-Rings for Mighty Mouse Jam Nut Receptacles

Replace lost or damaged O-rings with standard fluorosilicone O-rings. Or, choose EPDM o-rings for improved resistance to hydraulic fluids. Upgrade to silver-filled conductive O-rings for improved EMI protection.



O-rings for Series 800 Jam Nut Receptacles

Shell Size	Part Number				Dimensions			
	Fluoro-silicone	EPDM	Conductive Silicone Cho-Seal 1285	Conductive Fluorosilicone Cho-Seal 1298	Inside Diameter		Cross-Section	
					In.	mm.	In.	mm.
5	809-067-05F	809-067-05E	249-003-800-05B	249-003-800-05C	.364	9.25	.045	1.14
6	809-067-06F	809-067-06E	249-003-800-06B	249-003-800-06C	.426	10.82	.050	1.27
7	809-067-07F	809-067-07E	249-003-800-07B	249-003-800-07C	.489	12.42	.055	1.40
8	809-067-08F	809-067-08E	249-003-800-08B	249-003-800-08C	.588	14.94	.051	1.30
9	809-067-09F	809-067-09E	249-003-800-09B	249-003-800-09C	.614	15.60	.070	1.78
10	809-067-10F	809-067-10E	249-003-800-10B	249-003-800-10C	.709	18.01	.079	2.01
12	809-067-12F	809-067-12E	249-003-800-12B	249-003-800-12C	.801	20.35	.070	1.78

O-rings for Series 801 Jam Nut Receptacles

Shell Size	Part Number				Dimensions			
	Fluoro-silicone	EPDM	Conductive Silicone Cho-Seal 1285	Conductive Fluorosilicone Cho-Seal 1298	Inside Diameter		Cross-Section	
					In.	mm.	In.	mm.
5	809-054-05F	809-054-05E	249-003-801-05B	249-003-801-05C	.394	10.01	.047	1.19
6	809-054-06F	809-054-06E	249-003-801-06B	249-003-801-06C	.459	11.66	.049	1.24
7	809-054-07F	809-054-07E	249-003-801-07B	249-003-801-07C	.578	14.68	.040	1.02
8	809-054-08F	809-054-08E	249-003-801-08B	249-003-801-08C	.578	14.68	.040	1.02
9	809-054-09F	809-054-09E	249-003-801-09B	249-003-801-09C	.650	16.51	.045	1.14
10	809-054-10F	809-054-10E	249-003-801-10B	249-003-801-10C	.709	18.01	.043	1.09
13	809-054-13F	809-054-13E	249-003-801-13B	249-003-801-13C	.894	22.71	.047	1.19
16	809-054-16F	809-054-16E	249-003-801-16B	249-003-801-16C	1.086	27.58	.040	1.02
17	809-054-17F	809-054-17E	249-003-801-17B	249-003-801-17C	1.142	29.01	.043	1.09
21	809-054-21F	809-054-21E	249-003-801-21B	249-003-801-21C				

O-rings for Series 804 Rear Mount Jam Nut Receptacles (Style 07)

Shell Size	Part Number				Dimensions			
	Fluoro-silicone	EPDM	Conductive Silicone Cho-Seal 1285	Conductive Fluorosilicone Cho-Seal 1298	Inside Diameter		Cross-Section	
					In.	mm.	In.	mm.
5	809-055-05F	809-055-05E	249-003-804-05B	249-003-804-05C	.505	12.83	.070	1.78
6	809-055-06F	809-055-06E	249-003-804-06B	249-003-804-06C	.525	13.34	.071	1.80
7	809-055-07F	809-055-07E	249-003-804-07B	249-003-804-07C	.638	16.21	.073	1.85
8	809-055-08F	809-055-08E	249-003-804-08B	249-003-804-08C	.688	17.48	.070	1.78
9	809-055-09F	809-055-09E	249-003-804-09B	249-003-804-09C	.750	19.05	.070	1.78
10	809-055-10F	809-055-10E	249-003-804-10B	249-003-804-10C	.813	20.65	.063	1.60
12	809-055-12F	809-055-12E	249-003-804-12B	249-003-804-12C	.943	23.95	.070	1.78
14	809-055-14F	809-055-14E	249-003-804-14B	249-003-804-14C	1.061	26.95	.073	1.85
15	809-055-15F	809-055-15E	249-003-804-15B	249-003-804-15C	1.114	28.30	.070	1.78

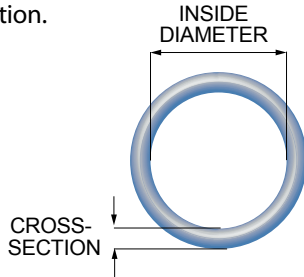
Dimensions in inches (millimeters) and are subject to change without notice.

Series 80 Mighty Mouse Replacement O-Rings For Jam Nut Receptacles



O-Rings for Mighty Mouse Jam Nut Receptacles

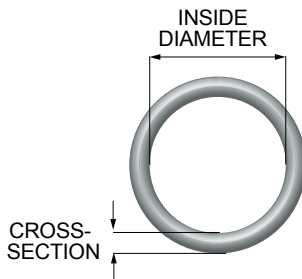
Replace lost or damaged O-rings with standard fluorosilicone O-rings. Or, choose EPDM o-rings for improved resistance to hydraulic fluids. Upgrade to silver-filled conductive O-rings for improved EMI protection.



O-rings for Series 805 Jam Nut Receptacles

Shell Size	Part Number				Dimensions			
	Fluoro-silicone	EPDM	Conductive Silicone Cho-Seal 1285	Conductive Fluorosilicone Cho-Seal 1298	Inside Diameter		Cross-Section	
					In.	mm.	In.	mm.
8	809-150-08F	809-150-08E	249-003-805-08B	249-003-805-08C	.578	14.68	.040	1.02
9	809-150-09F	809-150-09E	249-003-805-09B	249-003-805-09C	.709	18.01	.045	1.14
10	809-150-10F	809-150-10E	249-003-805-10B	249-003-805-10C	.709	18.01	.045	1.14
11	809-150-11F	809-150-11E	249-003-805-11B	249-003-805-11C	.780	19.81	.047	1.19
12	809-150-12F	809-150-12E	249-003-805-12B	249-003-805-12C	.894	22.71	.047	1.19
15	809-150-15F	809-150-15E	249-003-805-15B	249-003-805-15C	1.024	26.01	.047	1.19
18	809-150-18F	809-150-18E	249-003-805-18B	249-003-805-18C	1.201	30.51	.047	1.19
19	809-150-19F	809-150-19E	249-003-805-19B	249-003-805-19C	1.257	31.93	.047	1.19
23	809-150-23F	809-150-23E	249-003-805-23B	249-003-805-23C	1.530	38.86	.047	1.19

These Viton® O-rings fit Series 802 “AquaMouse” rear panel mount jam nut connector flanges.



O-rings for Series 802 Rear Mount Jam Nut Receptacles (Style 07)

Shell Size	Part Number Viton®	Dimensions			
		Inside Diameter		Cross-Section	
		In.	mm.	In.	mm.
5	809-165-05	.550	13.97	.070	1.78
6	809-165-06	.670	17.02	.070	1.78
7	809-165-07	.730	18.54	.070	1.78
8	809-165-08	.800	20.32	.070	1.78
9	809-165-09	.860	21.84	.070	1.78
10	809-165-10	.930	23.62	.070	1.78
12	809-165-12	.990	25.15	.070	1.78
14	809-165-14	1.170	29.72	.070	1.78
15	809-165-15	1.239	31.47	.070	1.78
21	809-165-21	1.614	41.00	.070	1.78

Dimensions in inches (millimeters) and are subject to change without notice.

Series 80 Mighty Mouse Shorting Cap Backshell Ordering Information

340MS026



Shorting Applications — These caps are used to cover up exposed wires on the back of a shorting connector. Shorting connectors are used to protect critical circuits from static discharge.


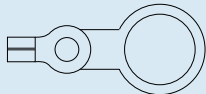
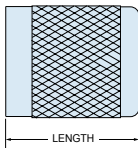
Plugs can also re-route circuits in **Switching** applications. Or, resistors and active electronics can be installed. Whatever the application, a shorting cap is a simple way to cover up the back end of the connector.

MATERIALS

Cap	Aluminum Alloy 6061-T6 or 300 Series Stainless Steel
O-Ring	Silicone Rubber
Hardware	300 Series Stainless Steel

HOW TO ORDER

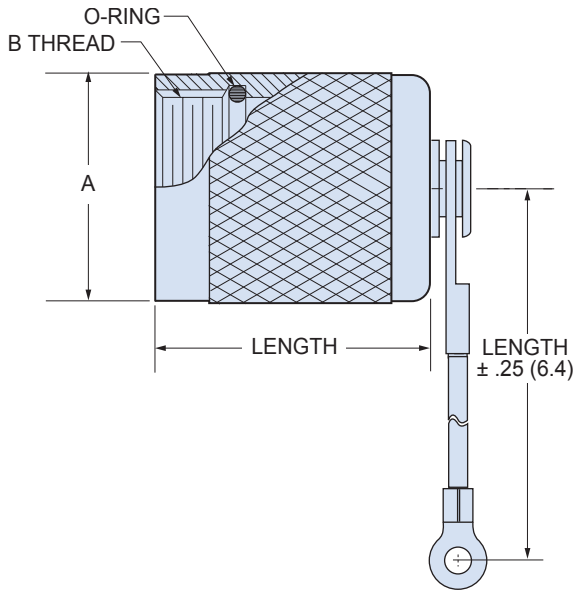
Sample Part Number

340MS026	M	G	07	-4	02	-6				
Series	Shell Material / Finish	Attachment Type	Size Code	Overall Length	Attachment Code	Attachment Length in Inches				
340MS026 Shorting Cap Backshell	C Aluminum / Black Anodize (Non-Conductive) RoHS Compliant M Aluminum / Electroless Nickel RoHS Compliant NF Aluminum / Cadmium with Olive Drab Chromate ZN Aluminum / Zinc- Nickel with Olive Drab Chromate ZNU Aluminum / Zinc-Nickel with Black Chromate MT Aluminum / Nickel- PTFE RoHS Compliant Z1 Stainless Steel / Passivated RoHS Compliant	G Nylon Rope H SST Wire Rope, Teflon® Jacket N No Attachment S SST Sash Chain SK Nylon Rope With Slip Knot U SST Wire Rope, Polyurethane Jacket	05 – .2500-32 06 – .3125-32 11 – .3750-32 07 – .4375-28 08 – .5000-28 09 – .5625-24 10 – .6250-24 12 – .6875-24 13 – .7500-20 14 – .9375-24 17 – 1.1875-18	-4 – .50 (12.7) -5 – .75 (19.1) -6 – 1.00 (25.4) -7 – 1.25 (31.8) -8 – 1.50 (38.1) -9 – 1.75 (44.5) -10 – 2.00 (50.8) -11 – 2.25 (57.2) -12 – 2.50 (63.5) -13 – 2.75 (69.9) -14 – 3.00 (76.2)	Omit for attachment Type N (No Attachment)  Small Ring 01 – .126 (3.20) I.D. 02 – .145 (3.68) I.D. 04 – .188 (4.78) I.D. 06 – .197 (5.00) I.D.  Large Ring 14 – .385 (9.78) I.D. 15 – .445 (11.30) I.D. 16 – .570 (14.48) I.D. 17 – .635 (16.13) I.D. 18 – .695 (17.65) I.D. 19 – .885 (22.48) I.D. 20 – 1.070 (27.17) I.D. 21 – 1.135 (28.83) I.D. 22 – 1.210 (30.73) I.D.	Omit for attachment Type N (No Attachment) Example "-6" equals six inch length				
										

Dimensions in inches (millimeters) and are subject to change without notice.

Series 80 Mighty Mouse Shorting Cap Backshell Dimensions

340MS026



ATTACHMENT OPTIONS

Dia. Code	Ring I.D.		Ring O.D.	
	In.	mm.	In.	mm.
	±.005	±0.13	Max.	Max.
01	.126	3.20	.31	7.9
02	.145	3.68	.31	7.9
04	.188	4.78	.31	7.9
06	.197	5.00	.31	7.9

Small Ring for Attaching to a Panel with a Screw

Dia. Code	Ring I.D.		Ring O.D.	
	In.	mm.	In.	mm.
	±.010	±0.25	±.015	±0.38
14	.385	9.78	.510	12.95
15	.445	11.30	.565	14.35
16	.570	14.48	.685	17.40
17	.635	16.13	.760	19.30
18	.695	17.65	.820	20.82
19	.885	22.48	1.010	25.65
20	1.070	27.17	1.195	30.35
21	1.135	28.83	1.250	31.75
22	1.210	30.73	1.312	33.32

Large Solid Ring for Attaching to a Jam Nut Receptacle

Nylon Rope With Slip Knot (SK) for Attaching Covers to Cable

-55° to +100°C., black, very flexible, very good abrasion resistance, good resistance to fuels, .120" (3mm) diameter. Length includes .5" (13mm) diameter loop.

DIMENSIONS

Size Code	Ø A Max.		B Threads
	In.	mm.	
05	.350	8.89	.250-32 UNEF-2B
06	.415	10.54	.3125-32 UNEF-2B
11	.465	11.81	.3750-32 UNEF-2B
07	.530	13.46	.4375-28 UNEF-2B
08	.595	14.35	.5000-28 UNEF-2B
09	.650	16.51	.5625-24 UNEF-2B
10	.715	18.16	.6250-24 UNEF-2B
12	.785	19.94	.6875-24 UNEF-2B
13	.830	21.08	.7500-20 UNEF-2B
14	1.020	25.91	.9375-20 UNEF-2B
17	1.270	32.26	1.1875-18 UNEF-2B

LANYARD OPTIONS

Nylon Rope (G)	-55° to +100°C., black, very flexible, very good abrasion resistance, good resistance to fuels, .120" (3mm) diameter
Polyurethane Coated Wire Rope (U)	Black polyurethane over stainless steel rope, -55° to +125°C., very flexible, excellent abrasion resistance, excellent resistance to fuels, .080" (2mm) diameter
Teflon Jacketed Wire Rope (H)	Translucent FEP jacket over stainless steel, -55° to +200°C., fair flexibility, good abrasion resistance, .100" diameter
Sash Chain (S)	Stainless steel, #8 chain, .240" (6mm)

Dimensions in inches (millimeters) and are subject to change without notice.

Series 80 Mighty Mouse Strain Relief Clamp Ordering Information

620MS064 and 620MS065



These clamps provide strain relief to open wire bundles. Add tubing or tape to build up smaller diameter wires to fit the clamps.

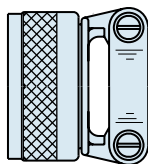
Straight Entry clamps are available with **Rotatable Coupling**. Or, save space with lower profile **Direct Coupling** versions.

MATERIALS

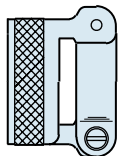
Nut, Clamp, and Saddles	Aluminum Alloy 6061-T6 or 300 Series SST
Hardware	300 Series Stainless Steel

HOW TO ORDER

Sample Part Number

620MS064
M
07
Part Number
Shell Material / Finish
Size Code

620MS065

Rotatable Coupling


620MS064

Direct Coupling

C
Aluminum / Black Anodize
(Non-Conductive)
RoHS Compliant

M
Aluminum / Electroless Nickel
RoHS Compliant

NF
Aluminum / Cadmium with Olive
Drab Chromate

ZN
Aluminum / Zinc-Nickel with
Olive Drab Chromate

UCR
Aluminum / Zinc-Cobalt with
Black Chromate
RoHS Compliant

ZNU
Aluminum / Zinc-Nickel with
Black Chromate

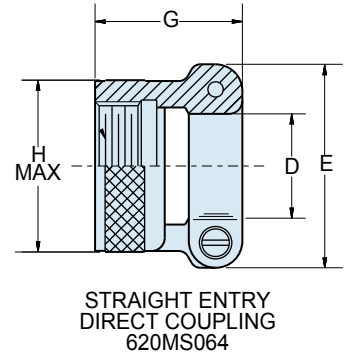
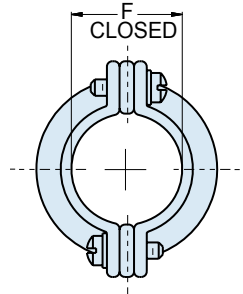
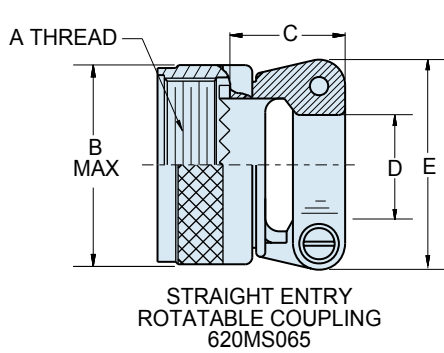
MT
Aluminum / Nickel-PTFE
RoHS Compliant

Z1
Stainless Steel / Passivated
RoHS Compliant

Size Code	Thread Size	Cable Entry Diameter	Shell Size	
			Series 800, 801, 803, 804	Series 805
05	.2500-32 UNEF	.11	5	
06	.3125-32 UNEF	.17	6	
11	.3750-32 UNEF	.17		8
07	.4375-28 UNEF	.23	7	9
08	.5000-28 UNEF	.30	8	10
09	.5625-24 UNEF	.30	9	11
10	.6250-24 UNEF	.36	10	12
12	.6875-24 UNEF	.42	12, 13	
13	.7500-20 UNEF	.42		15
14	.9375-20 UNEF	.48	14, 15, 16, 17	18, 19
15	.9375-20 UNEF	.61	14, 15, 16, 17	18, 19
17	1.1875-18 UNEF	.86	21	23

Dimensions in inches (millimeters) and are subject to change without notice.

Series 80 Mighty Mouse Strain Relief Clamp Dimensions 620MS064 and 620MS065



DIMENSIONS

Size Code	A Threads	B Max.		C Max.		Ø D		E		F		G Max.		H Max.	
		In.	mm.	In.	mm.	± .015	± 0.38	± .015	± 0.38	± .030	± 0.76	In.	mm.	In.	mm.
05	.2500-32 UNEF-2B	.470	11.94	.688	17.48	.119	3.02	.496	12.60	.110	2.79	.625	15.88	.350	8.89
06	.3125-32 UNEF-2B	.530	13.46	.688	17.48	.182	4.62	.582	14.78	.170	4.32	.625	15.88	.415	10.54
11	.375-32 UNEF-2B	.570	14.48	.688	17.48	.182	4.62	.582	14.78	.170	4.32	.625	15.88	.465	11.81
07	.4375-28 UNEF-2B	.637	16.18	.688	17.48	.244	6.20	.656	16.66	.230	5.08	.688	17.48	.530	13.46
08	.5000-28 UNEF-2B	.700	17.78	.688	17.48	.307	7.80	.726	18.44	.300	7.62	.688	17.48	.595	15.11
09	.5625-24 UNEF-2B	.758	19.25	.750	19.05	.307	7.80	.726	18.44	.300	7.62	.750	19.05	.650	16.51
10	.6250-24 UNEF-2B	.819	20.80	.750	19.05	.369	9.37	.885	22.48	.360	9.14	.875	22.23	.715	18.16
12	.6875-24 UNEF-2B	.896	22.76	.750	19.05	.432	10.97	.952	24.18	.420	10.67	.875	22.23	.785	19.94
13	.750-20 UNEF-2B	.930	23.62	.750	19.05	.432	10.97	.952	24.18	.420	10.67	.875	22.23	.830	21.08
14	.9375-20 UNEF-2B	1.137	28.88	.750	19.05	.494	12.55	1.018	25.86	.480	12.19	1.000	25.40	1.020	25.91
15	.9375-20 UNEF-2B	1.137	28.88	.750	19.05	.619	15.72	1.148	29.16	.610	15.49	1.000	25.40	1.020	25.91
17	1.1875-18 UNEF-2B	1.397	35.48	.750	19.05	.869	22.07	1.400	35.56	.860	21.84	1.125	28.58	1.280	32.51

Dimensions in inches (millimeters) and are subject to change without notice.





Series 80 Mighty Mouse Thread-On BAND-IT® Adapter Ordering Information

440MS135, 440MK135 and 440ML135



BAND-IT® Strap
Microband 600-057-1



Installed

Add a boot or overmold for environmental protection

These thread-on adapters are used with **BAND-IT® micro band** shield termination straps. Choose the smallest cable entry for your wire bundle. **Straight Entry** adapters are available in various lengths. **45° and 90°** adapters feature rotatable coupling nuts.

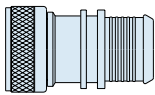
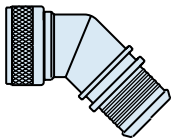
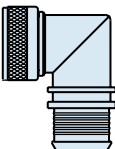


Micro Band Tool
600-061

MATERIALS	
Nut, Adapter	Aluminum Alloy or 300 Series SST
Band	300 Series SST
O-Ring	Silicone Elastomer

HOW TO ORDER

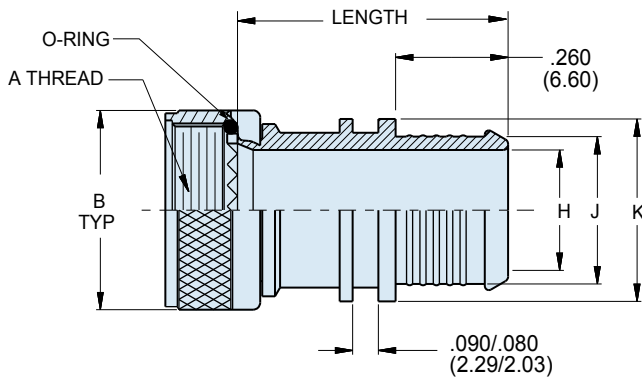
Sample Part Number

440MS135	M	07	05-	6	K																																																																																																		
Part Number	Shell Material / Finish	Size Code	Cable Entry Size	Length	Band Option																																																																																																		
 440MS135 Straight Entry	<p>C Aluminum / Black Anodize (Non-Conductive) RoHS Compliant</p> <p>M Aluminum / Electroless Nickel RoHS Compliant</p> <p>NF Aluminum / Cadmium with Olive Drab Chromate</p> <p>ZN Aluminum / Zinc-Nickel with Olive Drab Chromate</p> <p>ZNU Aluminum / Zinc-Nickel with Black Chromate</p> <p>MT Aluminum / Nickel-PTFE RoHS Compliant</p> <p>Z1 Stainless Steel / Passivated RoHS Compliant</p>	<table border="1"> <thead> <tr> <th>Size Code</th> <th>Thread Size</th> </tr> </thead> <tbody> <tr><td>05</td><td>.2500-32</td></tr> <tr><td>06</td><td>.3125-32</td></tr> <tr><td>11</td><td>.3750-32</td></tr> <tr><td>07</td><td>.4375-28</td></tr> <tr><td>08</td><td>.5000-28</td></tr> <tr><td>09</td><td>.5625-24</td></tr> <tr><td>10</td><td>.6250-24</td></tr> <tr><td>12</td><td>.6875-24</td></tr> <tr><td>13</td><td>.7500-20</td></tr> <tr><td>14</td><td>.9375-20</td></tr> <tr><td>17</td><td>1.1875-18</td></tr> </tbody> </table>	Size Code	Thread Size	05	.2500-32	06	.3125-32	11	.3750-32	07	.4375-28	08	.5000-28	09	.5625-24	10	.6250-24	12	.6875-24	13	.7500-20	14	.9375-20	17	1.1875-18	<table border="1"> <thead> <tr> <th>Cable Entry Code</th> <th>Cable Entry Dia. (In.)</th> <th>Use With Size Codes</th> </tr> </thead> <tbody> <tr><td>02-</td><td>.125</td><td>05-17</td></tr> <tr><td>03-</td><td>.188</td><td>05-17</td></tr> <tr><td>04-</td><td>.250</td><td>06-17</td></tr> <tr><td>05-</td><td>.312</td><td>07-17</td></tr> <tr><td>06-</td><td>.375</td><td>07-17</td></tr> <tr><td>07-</td><td>.438</td><td>08-17</td></tr> <tr><td>08-</td><td>.500</td><td>09-17</td></tr> <tr><td>09-</td><td>.562</td><td>10-17</td></tr> <tr><td>10-</td><td>.625</td><td>12-17</td></tr> <tr><td>11-</td><td>.688</td><td>14-17</td></tr> <tr><td>12-</td><td>.750</td><td>14-17</td></tr> <tr><td>13-</td><td>.812</td><td>14-17</td></tr> <tr><td>14-</td><td>.875</td><td>14-17</td></tr> </tbody> </table>	Cable Entry Code	Cable Entry Dia. (In.)	Use With Size Codes	02-	.125	05-17	03-	.188	05-17	04-	.250	06-17	05-	.312	07-17	06-	.375	07-17	07-	.438	08-17	08-	.500	09-17	09-	.562	10-17	10-	.625	12-17	11-	.688	14-17	12-	.750	14-17	13-	.812	14-17	14-	.875	14-17	<p style="text-align: center;">Straight Entry 440MS135 Only</p> <table border="1"> <thead> <tr> <th>Length Code</th> <th>Length (Inches)</th> </tr> </thead> <tbody> <tr><td>6</td><td>.750</td></tr> <tr><td>7</td><td>.875</td></tr> <tr><td>8</td><td>1.000</td></tr> <tr><td>9</td><td>1.125</td></tr> <tr><td>10</td><td>1.250</td></tr> <tr><td>11</td><td>1.375</td></tr> <tr><td>12</td><td>1.500</td></tr> <tr><td>13</td><td>1.625</td></tr> <tr><td>14</td><td>1.750</td></tr> <tr><td>15</td><td>1.875</td></tr> <tr><td>16</td><td>2.000</td></tr> <tr><td>17</td><td>2.125</td></tr> <tr><td>18</td><td>2.250</td></tr> <tr><td>19</td><td>2.375</td></tr> <tr><td>20</td><td>2.500</td></tr> </tbody> </table> <p style="text-align: center;">Specify Length in increments of .125 inches (3.18 mm.)</p>	Length Code	Length (Inches)	6	.750	7	.875	8	1.000	9	1.125	10	1.250	11	1.375	12	1.500	13	1.625	14	1.750	15	1.875	16	2.000	17	2.125	18	2.250	19	2.375	20	2.500	<p>Omit for no band supplied</p> <p>K Adapter is supplied with BAND-IT® shield termination band, pre-coiled</p>
			Size Code	Thread Size																																																																																																			
			05	.2500-32																																																																																																			
			06	.3125-32																																																																																																			
			11	.3750-32																																																																																																			
			07	.4375-28																																																																																																			
			08	.5000-28																																																																																																			
			09	.5625-24																																																																																																			
			10	.6250-24																																																																																																			
			12	.6875-24																																																																																																			
13	.7500-20																																																																																																						
14	.9375-20																																																																																																						
17	1.1875-18																																																																																																						
Cable Entry Code	Cable Entry Dia. (In.)	Use With Size Codes																																																																																																					
02-	.125	05-17																																																																																																					
03-	.188	05-17																																																																																																					
04-	.250	06-17																																																																																																					
05-	.312	07-17																																																																																																					
06-	.375	07-17																																																																																																					
07-	.438	08-17																																																																																																					
08-	.500	09-17																																																																																																					
09-	.562	10-17																																																																																																					
10-	.625	12-17																																																																																																					
11-	.688	14-17																																																																																																					
12-	.750	14-17																																																																																																					
13-	.812	14-17																																																																																																					
14-	.875	14-17																																																																																																					
Length Code	Length (Inches)																																																																																																						
6	.750																																																																																																						
7	.875																																																																																																						
8	1.000																																																																																																						
9	1.125																																																																																																						
10	1.250																																																																																																						
11	1.375																																																																																																						
12	1.500																																																																																																						
13	1.625																																																																																																						
14	1.750																																																																																																						
15	1.875																																																																																																						
16	2.000																																																																																																						
17	2.125																																																																																																						
18	2.250																																																																																																						
19	2.375																																																																																																						
20	2.500																																																																																																						
 440MK135 45° Entry																																																																																																							
 440ML135 90° Entry																																																																																																							

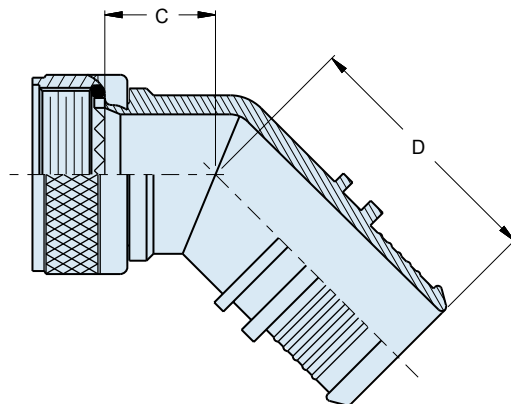
Dimensions in inches (millimeters) and are subject to change without notice.

Series 80 Mighty Mouse Thread-On BAND-IT® Adapter Dimensions

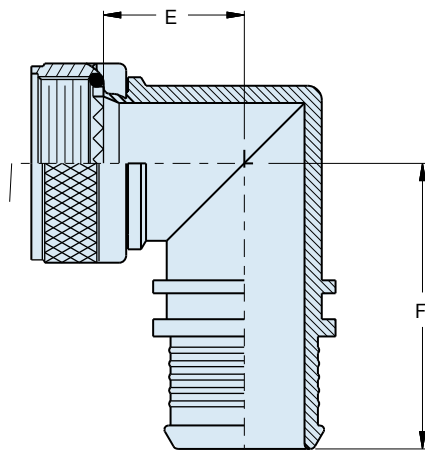
440MS135, 440MK135 and 440ML135



STRAIGHT ENTRY
ROTATABLE COUPLING
440MS135



45° ENTRY
ROTATABLE COUPLING
440MK135



90° ENTRY
ROTATABLE COUPLING
440ML135

DIMENSIONS											
Size Code	A Threads	B Max.		C Max.		D Max.		E Max.		F Max.	
		In.	mm.	In.	mm.	In.	mm.	In.	mm.	In.	mm.
05	.2500-32	.470	11.94	.530	13.46	.660	16.76	.630	16.00	.780	19.81
06	.3125-32	.530	13.46	.550	13.97	.670	17.02	.660	16.76	.790	20.27
11	.3750-32	.570	14.48	.560	14.22	.680	17.27	.680	17.27	.810	20.57
07	.4375-28	.637	16.18	.570	14.48	.690	17.53	.700	17.78	.830	21.08
08	.5000-28	.700	17.78	.580	14.73	.700	17.78	.740	18.80	.860	21.84
09	.5625-24	.758	19.25	.590	14.99	.710	18.03	.770	19.56	.890	22.61
10	.6250-24	.819	20.80	.610	15.49	.730	18.54	.800	20.32	.920	23.37
12	.6875-24	.896	22.76	.640	16.26	.750	19.05	.840	21.34	.970	24.64
13	.7500-20	.930	23.62	.660	16.76	.770	19.56	.880	22.35	1.020	25.91
14	.9375-20	1.137	28.88	.690	17.53	.800	20.32	.950	24.13	1.090	27.69
17	1.1875-18	1.387	35.23	.720	18.29	.830	21.08	1.010	25.65	1.160	29.46

CABLE ENTRY							
Cable Entry Code	Ø H		Ø J		Ø K		Use With Size Codes
	In.	mm.	In.	mm.	In.	mm.	
	± .015	± 0.38	± .015	± 0.38	± .015	± 0.38	
02	.125	3.18	.164	4.17	.266	6.76	05-14
03	.188	4.78	.227	5.77	.329	8.36	05-14
04	.250	6.35	.289	7.34	.391	9.93	06-14
05	.312	7.92	.351	8.92	.453	11.51	07-14
06	.375	9.53	.414	10.52	.516	13.11	07-14
07	.438	11.13	.477	12.12	.579	14.71	08-14
08	.500	12.70	.539	13.69	.641	16.28	09-14
09	.562	14.27	.601	15.27	.703	17.86	10-14
10	.625	15.88	.664	16.87	.766	19.46	12-14
11	.688	17.48	.727	18.47	.829	21.06	14
12	.750	19.05	.789	20.04	.891	22.63	14
13	.812	20.62	.851	21.62	.953	24.21	14
14	.875	22.23	.914	23.22	1.016	25.81	14

CONNECTOR SHELL SIZES			
Size Code	A Threads	Shell Size	
		Series 800, 801, 803, 804	Series 805
05	.2500-32 UNEF-2B	5	-
06	.3125-32 UNEF-2B	6	-
11	.375-32 UNEF-2B	-	8
07	.4375-28 UNEF-2B	7	9
08	.5000-28 UNEF-2B	8	10
09	.5625-24 UNEF-2B	9	11
10	.6250-24 UNEF-2B	10	12
12	.6875-24 UNEF-2B	12, 13	-
13	.7500-20 UNEF-2B	-	15
14	.9375-20 UNEF-2B	14, 15, 16, 17	18, 19
17	1.1875-18 UNEF-2B	21	23

Dimensions in inches (millimeters) and are subject to change without notice.



Series 80 Mighty Mouse Low-Profile BAND-IT® Adapter Ordering Information 440MS134



BAND-IT® Strap
Microband 600-057-1



Installed

Add a boot or overmold for environmental protection

These low-profile adapters are used with **BAND-IT® micro band** shield termination straps. Choose the smallest cable entry for your wire bundle.

Micro Band Tool
600-061



MATERIALS

Adapter	Aluminum Alloy or 300 Series SST
Band	300 Series SST
O-Ring	Silicone Elastomer

HOW TO ORDER

Sample Part Number

440MS134

NF

12

08

K

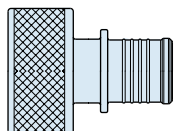
Part Number

Shell Material / Finish

Size Code

Cable Entry Size

Band Option



440MS134
Straight Entry

C
Aluminum / Black Anodize (Non-Conductive) RoHS Compliant
M
Aluminum / Electroless Nickel RoHS Compliant
NF
Aluminum / Cadmium with Olive Drab Chromate
ZN
Aluminum / Zinc-Nickel with Olive Drab Chromate
ZNU
Aluminum / Zinc-Nickel with Black Chromate
MT
Aluminum / Nickel-PTFE RoHS Compliant
Z1
Stainless Steel / Passivated RoHS Compliant

Size Code	Thread Size
05	.2500-32
06	.3125-32
11	.3750-32
07	.4375-28
08	.5000-28
09	.5625-24
10	.6250-24
12	.6875-24
13	.7500-20
14	.9375-20
17	1.1875-18

Cable Entry Code	Cable Entry Dia. (In.)	Use With Size Codes
01	.094	05-06, 11
02	.125	05-07, 11
03	.172	05-08, 11
04	.234	06-08
05	.272	07-09
06	.312	07-10
07	.375	08-13
08	.438	09-13
09	.500	10-13
10	.562	12-14, 17
11	.625	14, 17
12	.688	14, 17
13	.750	14, 17
14	.812	14, 17

Omit for no band supplied

K
Adapter is supplied with **BAND-IT®** shield termination band, pre-coiled

Dimensions in inches (millimeters) and are subject to change without notice.

© 2010 Glenair, Inc.

CAGE Code 06324

Printed in U.S.A.

GLEN AIR, INC. • 1211 AIR WAY • GLENDALE, CA 91201-2497 • 818-247-6000 • FAX 818-500-9912

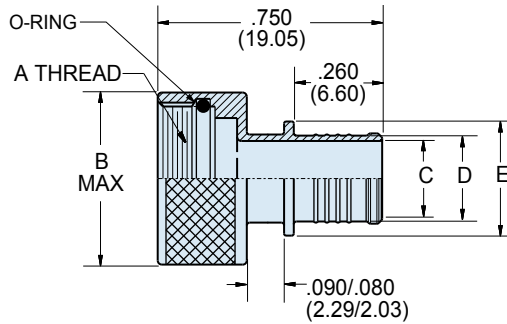
www.glenair.com

L-18

E-Mail: sales@glenair.com

01-JANUARY-2010

Series 80 Mighty Mouse Low-Profile BAND-IT® Adapter Dimensions 440MS134



STRAIGHT ENTRY
DIRECT COUPLING
440MS134

DIMENSIONS			
Size Code	A Threads	B Max.	
		In.	mm.
05	.2500-32 UNEF-2B	.350	8.89
06	.3125-32 UNEF-2B	.415	10.54
11	.375-32 UN-2B	.465	11.81
07	.4375-28 UNEF-2B	.530	13.46
08	.5000-28 UNEF-2B	.595	15.11
09	.5625-24 UNEF-2B	.650	16.51
10	.6250-24 UNEF-2B	.715	18.16
12	.6875-24 UNEF-2B	.785	19.94
13	.750-20 UNEF-2B	.830	21.08
14	.9375-20 UNEF-2B	1.020	25.91
17	1.1875-18 UNEF-2B	1.280	32.51

CABLE ENTRY							
Cable Entry Code	Ø C		Ø D		Ø E		Use With Size Codes
	In.	mm.	In.	mm.	In.	mm.	
	±.015	±0.38	±.015	±0.38	±.015	±0.38	
01	.094	2.39	.133	3.38	.235	5.97	05-06
02	.125	3.18	.164	4.17	.266	6.76	05-07
03	.172	4.37	.211	5.36	.313	7.95	05-08
04	.234	5.94	.273	6.93	.375	9.53	06-08
05	.272	6.91	.311	7.90	.413	10.49	07-09
06	.312	7.92	.351	8.92	.453	11.51	07-10
07	.375	9.53	.414	10.52	.516	13.11	08-12
08	.438	11.13	.477	12.12	.579	14.71	09-12
09	.500	12.70	.539	13.69	.641	16.28	10-12
10	.562	14.27	.601	15.27	.703	17.88	12-14
11	.625	15.88	.664	16.87	.766	19.46	14
12	.688	17.48	.727	18.47	.829	21.06	14
13	.750	19.05	.789	20.04	.891	22.63	14
14	.812	20.62	.851	21.62	.953	24.21	14

CONNECTOR SHELL SIZES			
Size Code	A Threads	Shell Size	
		Series 800, 801, 803, 804	Series 805
05	.2500-32 UNEF-2B	5	–
06	.3125-32 UNEF-2B	6	–
11	.375-32 UNEF-2B	–	8
07	.4375-28 UNEF-2B	7	9
08	.5000-28 UNEF-2B	8	10
09	.5625-24 UNEF-2B	9	11
10	.6250-24 UNEF-2B	10	12
12	.6875-24 UNEF-2B	12, 13	–
13	.750-20 UNEF-2B	–	15
14	.9375-20 UNEF-2B	14, 15, 16, 17	18, 19
17	1.1875-18 UNEF-2B	21	23

Dimensions in inches (millimeters) and are subject to change without notice.



Series 80 Mighty Mouse Environmental Backshell Ordering Information

370MS037, 370MS038, 370MB038 and 370MA038



Environmental backshells feature silicone o-rings for a watertight seal.

Straight Entry backshells are available with direct coupling or rotatable coupling.

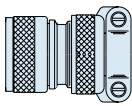
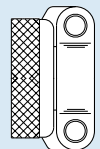
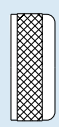
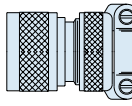
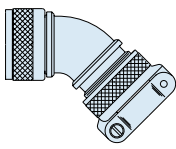
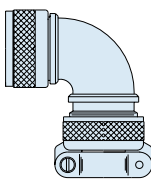
45° and 90° adapters feature rotatable coupling nuts.

MATERIALS

Adapter, Clamp, Nut and Saddles	Aluminum Alloy 6061-T6 or 300 Series Stainless Steel
O-Rings	Silicone Rubber
Hardware	300 Series Stainless Steel

HOW TO ORDER

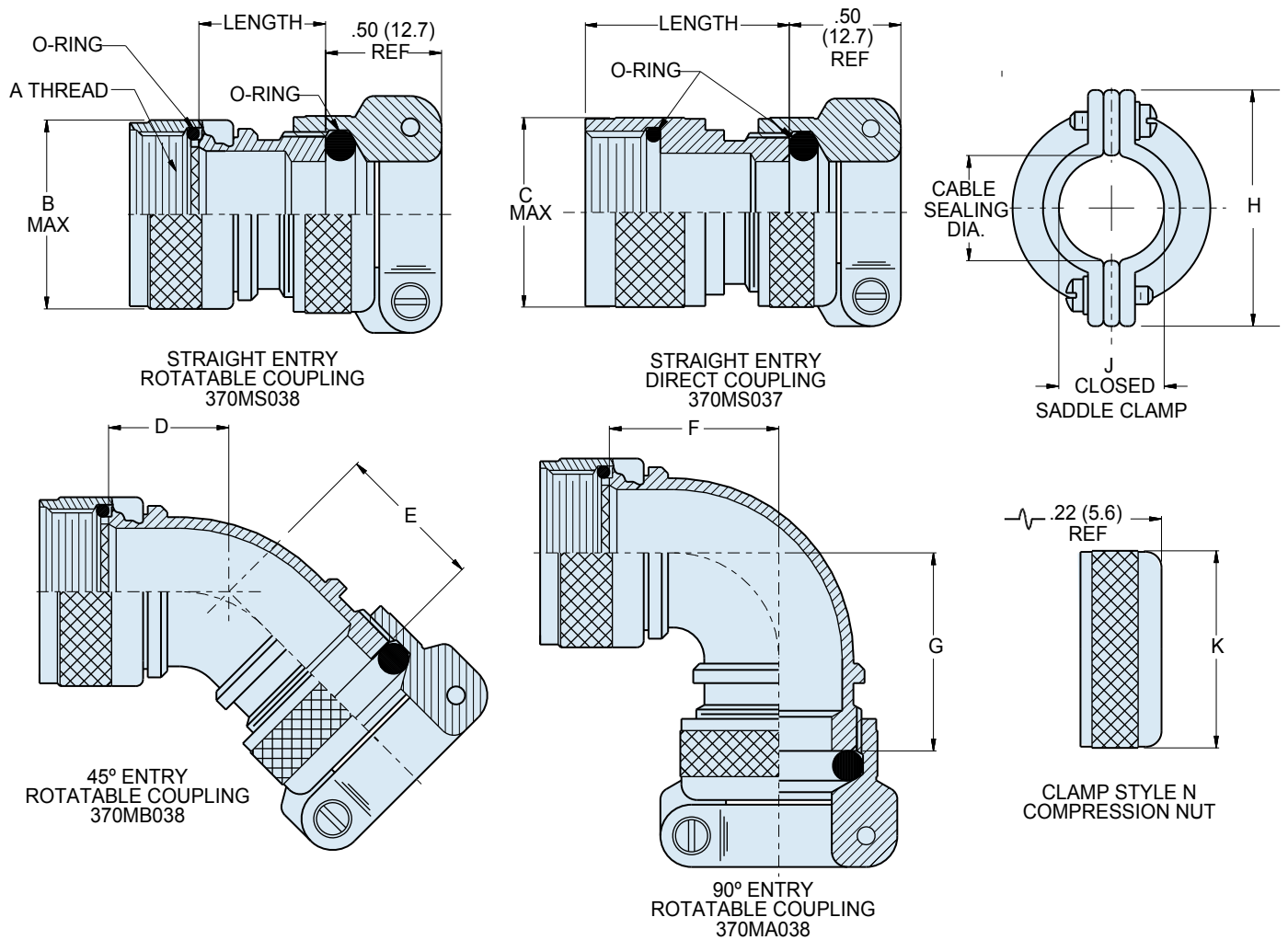
Sample Part Number

370MS037	C	10	05-	6	N																																																																																										
Part Number	Shell Material / Finish	Size Code	Cable Entry Code	Length	Clamp Style																																																																																										
 370MS038 Straight Entry, Rotatable Coupling	C Aluminum / Black Anodize (Non-Conductive) RoHS Compliant	<table border="1"> <thead> <tr> <th>Size Code</th> <th>Thread Size</th> </tr> </thead> <tbody> <tr><td>05</td><td>.2500-32</td></tr> <tr><td>06</td><td>.3125-32</td></tr> <tr><td>11</td><td>.3750-32</td></tr> <tr><td>07</td><td>.4375-28</td></tr> <tr><td>08</td><td>.5000-28</td></tr> <tr><td>09</td><td>.5625-24</td></tr> <tr><td>10</td><td>.6250-24</td></tr> <tr><td>12</td><td>.6875-24</td></tr> <tr><td>13</td><td>.7500-20</td></tr> <tr><td>14</td><td>.9375-20</td></tr> <tr><td>17</td><td>1.1875-18</td></tr> </tbody> </table>	Size Code	Thread Size	05	.2500-32	06	.3125-32	11	.3750-32	07	.4375-28	08	.5000-28	09	.5625-24	10	.6250-24	12	.6875-24	13	.7500-20	14	.9375-20	17	1.1875-18	<table border="1"> <thead> <tr> <th rowspan="2">Cable Entry Code</th> <th colspan="2">Cable Sealing Diameter</th> </tr> <tr> <th>Max.</th> <th>Min.</th> </tr> </thead> <tbody> <tr><td>01-</td><td>.109</td><td>.031</td></tr> <tr><td>02-</td><td>.172</td><td>.078</td></tr> <tr><td>03-</td><td>.234</td><td>.140</td></tr> <tr><td>04-</td><td>.297</td><td>.203</td></tr> <tr><td>05-</td><td>.359</td><td>.265</td></tr> <tr><td>06-</td><td>.422</td><td>.328</td></tr> <tr><td>07-</td><td>.484</td><td>.390</td></tr> <tr><td>08-</td><td>.547</td><td>.453</td></tr> <tr><td>09-</td><td>.609</td><td>.515</td></tr> </tbody> </table>	Cable Entry Code	Cable Sealing Diameter		Max.	Min.	01-	.109	.031	02-	.172	.078	03-	.234	.140	04-	.297	.203	05-	.359	.265	06-	.422	.328	07-	.484	.390	08-	.547	.453	09-	.609	.515	Straight Entry 370MS Only <table border="1"> <thead> <tr> <th>Length Code</th> <th>Length (Inches)</th> </tr> </thead> <tbody> <tr><td>5</td><td>.625</td></tr> <tr><td>6</td><td>.750</td></tr> <tr><td>7</td><td>.875</td></tr> <tr><td>8</td><td>1.000</td></tr> <tr><td>9</td><td>1.125</td></tr> <tr><td>10</td><td>1.250</td></tr> <tr><td>11</td><td>1.375</td></tr> <tr><td>12</td><td>1.500</td></tr> <tr><td>13</td><td>1.625</td></tr> <tr><td>14</td><td>1.750</td></tr> <tr><td>15</td><td>1.875</td></tr> <tr><td>16</td><td>2.000</td></tr> <tr><td>17</td><td>2.125</td></tr> <tr><td>18</td><td>2.250</td></tr> <tr><td>19</td><td>2.375</td></tr> <tr><td>20</td><td>2.500</td></tr> </tbody> </table>	Length Code	Length (Inches)	5	.625	6	.750	7	.875	8	1.000	9	1.125	10	1.250	11	1.375	12	1.500	13	1.625	14	1.750	15	1.875	16	2.000	17	2.125	18	2.250	19	2.375	20	2.500	 Omit for screw clamp with saddle bars  N Compression Nut, Low Profile
		Size Code	Thread Size																																																																																												
05	.2500-32																																																																																														
06	.3125-32																																																																																														
11	.3750-32																																																																																														
07	.4375-28																																																																																														
08	.5000-28																																																																																														
09	.5625-24																																																																																														
10	.6250-24																																																																																														
12	.6875-24																																																																																														
13	.7500-20																																																																																														
14	.9375-20																																																																																														
17	1.1875-18																																																																																														
Cable Entry Code	Cable Sealing Diameter																																																																																														
	Max.	Min.																																																																																													
01-	.109	.031																																																																																													
02-	.172	.078																																																																																													
03-	.234	.140																																																																																													
04-	.297	.203																																																																																													
05-	.359	.265																																																																																													
06-	.422	.328																																																																																													
07-	.484	.390																																																																																													
08-	.547	.453																																																																																													
09-	.609	.515																																																																																													
Length Code	Length (Inches)																																																																																														
5	.625																																																																																														
6	.750																																																																																														
7	.875																																																																																														
8	1.000																																																																																														
9	1.125																																																																																														
10	1.250																																																																																														
11	1.375																																																																																														
12	1.500																																																																																														
13	1.625																																																																																														
14	1.750																																																																																														
15	1.875																																																																																														
16	2.000																																																																																														
17	2.125																																																																																														
18	2.250																																																																																														
19	2.375																																																																																														
20	2.500																																																																																														
 370MS037 Straight Entry, Direct Coupling	M Aluminum / Electroless Nickel RoHS Compliant NF Aluminum / Cadmium with Olive Drab Chromate ZN Aluminum / Zinc-Nickel with Olive Drab Chromate																																																																																														
 370MB038 45° Entry	ZNU Aluminum / Zinc-Nickel with Black Chromate MT Aluminum / Nickel-PTFE RoHS Compliant																																																																																														
 370MA038 90° Entry	Z1 Stainless Steel / Passivated RoHS Compliant			Specify length in increments of .125 inches (3.18 mm.)																																																																																											

Dimensions in inches (millimeters) and are subject to change without notice.

Series 80 Mighty Mouse Environmental Backshell Dimensions

370MS037, 370MS038, 370MB038 and 370MA038



DIMENSIONS							
Size Code	A Thds.	B Max.		C Max.		Std. Length*	
		In.	mm.	In.	mm.	In.	mm.
05	.2500-32	.470	11.94	.350	8.89	.750	19.05
06	.3125-32	.530	13.46	.415	10.54	.750	19.05
11	.3750-32	.570	14.48	.465	11.68	.750	19.05
07	.4375-28	.637	16.18	.530	13.46	.750	19.05
08	.5000-28	.700	17.78	.595	15.11	.750	19.05
09	.5625-24	.758	19.25	.650	16.51	.750	19.05
10	.6250-24	.819	20.80	.715	18.16	.750	19.05
12	.6875-24	.896	22.76	.785	19.94	.880	22.35
13	.7500-20	.930	23.62	.830	21.08	.880	22.35
14	.9375-20	1.137	28.88	1.020	25.91	1.000	25.40
17	1.1875-18	1.280	32.51	1.387	35.23	1.130	28.70

*Choose standard length for best availability

DIMENSIONS																
Cable Entry Code	Cable Sealing Dia.		D Max.		E Max.		F Max.		G Max.		H		Ø J Closed		Ø K	
	Max.	Min.	In.	mm.	In.	mm.	In.	mm.	In.	mm.	In.	mm.	In.	mm.	In.	mm.
01	.109	.031	.603	15.32	.581	14.76	.724	18.39	.702	17.83	.496	12.60	.110	2.79	.398	10.11
02	.172	.078	.603	15.32	.581	14.76	.724	18.39	.702	17.83	.582	14.78	.170	4.32	.460	11.68
03	.234	.140	.603	15.32	.581	14.76	.724	18.39	.702	17.83	.656	16.66	.230	5.84	.523	13.28
04	.297	.203	.629	15.98	.607	15.42	.786	19.96	.764	19.41	.726	18.44	.300	7.62	.585	14.86
05	.359	.265	.629	15.98	.607	15.42	.786	19.96	.764	19.41	.885	22.48	.360	9.14	.647	16.43
06	.422	.328	.655	16.64	.633	16.00	.848	21.54	.826	20.98	.952	24.18	.420	10.67	.710	18.03
07	.484	.390	.655	16.64	.633	16.00	.848	21.54	.826	20.98	1.018	25.86	.480	12.19	.773	19.63
08	.547	.453	.707	17.96	.685	17.40	.911	23.14	.889	22.58	1.084	27.53	.550	13.97	.835	21.21
09	.609	.515	.707	17.96	.685	17.40	.911	23.14	.889	22.58	1.148	29.16	.610	15.49	.897	22.78

Dimensions in inches (millimeters) and are subject to change without notice.

Series 80 Mighty Mouse EMI Backshell Ordering Information

380MS137, 380MS135, 380MB137 and 380MA137



380MS135

EMI backshells feature an EMI ring for easy shield termination.

Straight Entry backshells are available with direct coupling or rotatable coupling.

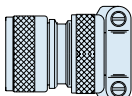
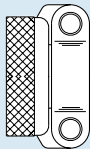
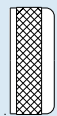
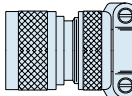
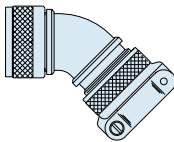
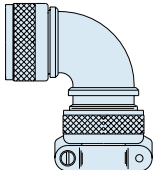
45° and 90° adapters feature rotatable coupling nuts.

MATERIALS

Adapter, Clamp, Nut and Saddles	Aluminum Alloy 6061-T6 or 300 Series Stainless Steel
O-Rings	Silicone Rubber
Hardware	300 Series Stainless Steel

HOW TO ORDER

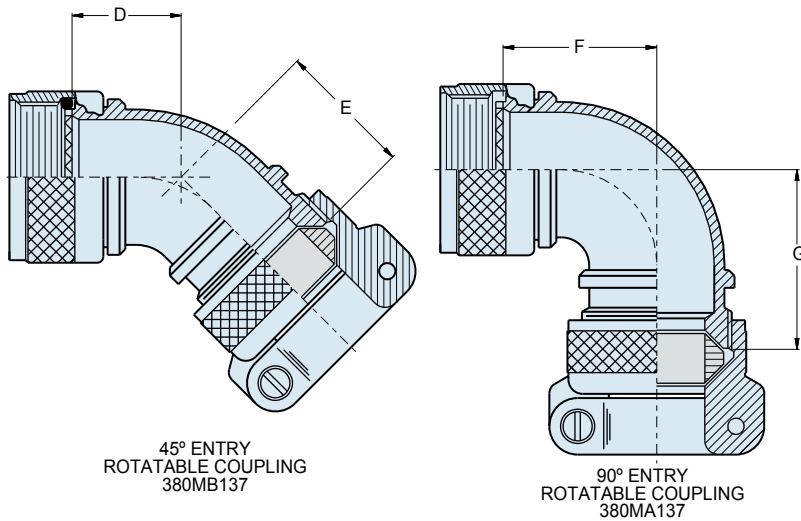
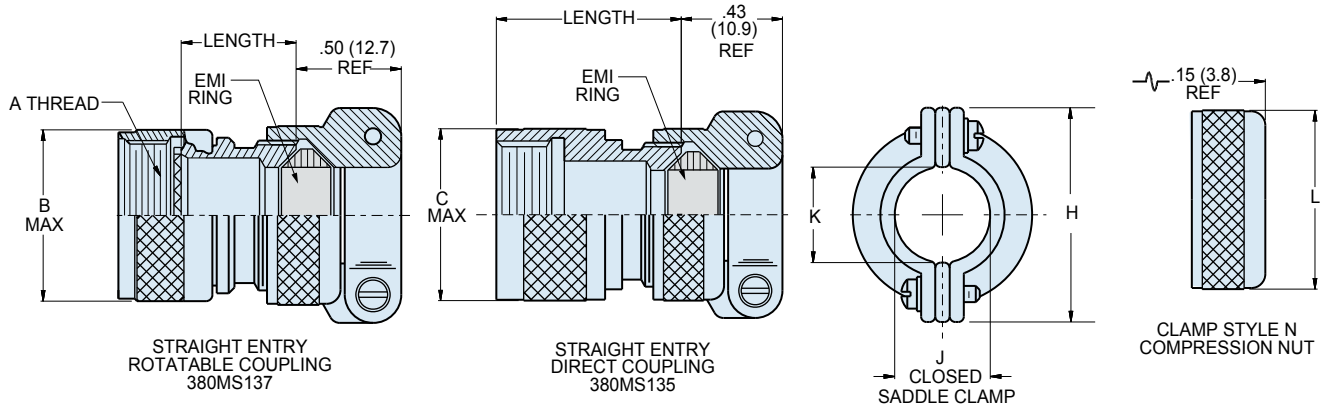
Sample Part Number

380MS137	M	07	04-	6	N																																																																														
Part Number	Shell Material / Finish	Size Code	Cable Entry Code	Length	Clamp Style																																																																														
 380MS137 Straight Entry, Rotatable Coupling	C Aluminum / Black Anodize (Non-Conductive) RoHS Compliant M Aluminum / Electroless Nickel RoHS Compliant NF Aluminum / Cadmium with Olive Drab Chromate ZN Aluminum / Zinc-Nickel with Olive Drab Chromate ZNU Aluminum / Zinc-Nickel with Black Chromate MT Aluminum / Nickel-PTFE RoHS Compliant Z1 Stainless Steel / Passivated RoHS Compliant	<table border="1"> <thead> <tr> <th>Size Code</th> <th>Thread Size</th> </tr> </thead> <tbody> <tr><td>05</td><td>.2500-32</td></tr> <tr><td>06</td><td>.3125-32</td></tr> <tr><td>11</td><td>.3750-32</td></tr> <tr><td>07</td><td>.4375-28</td></tr> <tr><td>08</td><td>.5000-28</td></tr> <tr><td>09</td><td>.5625-24</td></tr> <tr><td>10</td><td>.6250-24</td></tr> <tr><td>12</td><td>.6875-24</td></tr> <tr><td>13</td><td>.7500-20</td></tr> <tr><td>14</td><td>.9375-20</td></tr> <tr><td>17</td><td>1.1875-18</td></tr> </tbody> </table>	Size Code	Thread Size	05	.2500-32	06	.3125-32	11	.3750-32	07	.4375-28	08	.5000-28	09	.5625-24	10	.6250-24	12	.6875-24	13	.7500-20	14	.9375-20	17	1.1875-18	<table border="1"> <thead> <tr> <th>Cable Entry Code</th> <th>Saddle Clamp Dia. Fully Closed</th> </tr> </thead> <tbody> <tr><td>01-</td><td>.11</td></tr> <tr><td>02-</td><td>.17</td></tr> <tr><td>03-</td><td>.23</td></tr> <tr><td>04-</td><td>.30</td></tr> <tr><td>05-</td><td>.36</td></tr> <tr><td>06-</td><td>.42</td></tr> <tr><td>07-</td><td>.48</td></tr> <tr><td>08-</td><td>.55</td></tr> <tr><td>09-</td><td>.61</td></tr> </tbody> </table>	Cable Entry Code	Saddle Clamp Dia. Fully Closed	01-	.11	02-	.17	03-	.23	04-	.30	05-	.36	06-	.42	07-	.48	08-	.55	09-	.61	Straight Entry 380MS Only <table border="1"> <thead> <tr> <th>Length Code</th> <th>Length (Inches)</th> </tr> </thead> <tbody> <tr><td>5</td><td>.625</td></tr> <tr><td>6</td><td>.750</td></tr> <tr><td>7</td><td>.875</td></tr> <tr><td>8</td><td>1.000</td></tr> <tr><td>9</td><td>1.125</td></tr> <tr><td>10</td><td>1.250</td></tr> <tr><td>11</td><td>1.375</td></tr> <tr><td>12</td><td>1.500</td></tr> <tr><td>13</td><td>1.625</td></tr> <tr><td>14</td><td>1.750</td></tr> <tr><td>15</td><td>1.875</td></tr> <tr><td>16</td><td>2.000</td></tr> <tr><td>17</td><td>2.125</td></tr> <tr><td>18</td><td>2.250</td></tr> <tr><td>19</td><td>2.375</td></tr> <tr><td>20</td><td>2.500</td></tr> </tbody> </table> Specify length in increments of .125 inches (3.18 mm.)	Length Code	Length (Inches)	5	.625	6	.750	7	.875	8	1.000	9	1.125	10	1.250	11	1.375	12	1.500	13	1.625	14	1.750	15	1.875	16	2.000	17	2.125	18	2.250	19	2.375	20	2.500	 Omit for screw clamp with saddle bars  N Optional Compression Nut, Low Profile
			Size Code	Thread Size																																																																															
			05	.2500-32																																																																															
			06	.3125-32																																																																															
11	.3750-32																																																																																		
07	.4375-28																																																																																		
08	.5000-28																																																																																		
09	.5625-24																																																																																		
10	.6250-24																																																																																		
12	.6875-24																																																																																		
13	.7500-20																																																																																		
14	.9375-20																																																																																		
17	1.1875-18																																																																																		
Cable Entry Code	Saddle Clamp Dia. Fully Closed																																																																																		
01-	.11																																																																																		
02-	.17																																																																																		
03-	.23																																																																																		
04-	.30																																																																																		
05-	.36																																																																																		
06-	.42																																																																																		
07-	.48																																																																																		
08-	.55																																																																																		
09-	.61																																																																																		
Length Code	Length (Inches)																																																																																		
5	.625																																																																																		
6	.750																																																																																		
7	.875																																																																																		
8	1.000																																																																																		
9	1.125																																																																																		
10	1.250																																																																																		
11	1.375																																																																																		
12	1.500																																																																																		
13	1.625																																																																																		
14	1.750																																																																																		
15	1.875																																																																																		
16	2.000																																																																																		
17	2.125																																																																																		
18	2.250																																																																																		
19	2.375																																																																																		
20	2.500																																																																																		
 380MS135 Straight Entry, Direct Coupling																																																																																			
 380MB137 45° Entry																																																																																			
 380MA137 90° Entry																																																																																			

Dimensions in inches (millimeters) and are subject to change without notice.

Series 80 Mighty Mouse EMI Backshell Dimensions

380MS137, 380MS135, 380MB137 and 380MA137



DIMENSIONS							
Size Code	A Thds.	B Max.		C Max.		Std. Length*	
		In.	mm.	In.	mm.	In.	mm.
05	.2500-32	.470	11.94	.350	8.89	.750	19.05
06	.3125-32	.530	13.46	.415	10.54	.750	19.05
11	.3750-32	.570	14.48	.465	11.68	.750	19.05
07	.4375-28	.637	16.18	.530	13.46	.750	19.05
08	.5000-28	.700	17.78	.595	15.11	.750	19.05
09	.5625-24	.758	19.25	.650	16.51	.750	19.05
10	.6250-24	.819	20.80	.715	18.16	.750	19.05
12	.6875-24	.896	22.76	.785	19.94	.880	22.35
13	.7500-20	.930	23.62	.830	21.08	.880	22.35
14	.9375-20	1.137	28.88	1.020	25.91	1.000	25.40
17	1.1875-18	1.387	35.23	1.280	32.51	1.130	28.70

*Choose standard length for best availability

Cable Entry Code	D Max.		E Max.		F Max.		G Max.		H		Ø J Closed		Ø K		Ø L	
	In.	mm.	In.	mm.	In.	mm.	In.	mm.	± .015	± 0.38	± .030	± 0.76	± .015	± 0.38	± .015	± 0.38
	In.	mm.	In.	mm.	In.	mm.	In.	mm.	In.	mm.	In.	mm.	In.	mm.	In.	mm.
01	.603	15.32	.581	14.76	.724	18.39	.702	17.83	.496	12.60	.110	2.79	.119	3.02	.398	10.11
02	.603	15.32	.581	14.76	.724	18.39	.702	17.83	.582	14.78	.170	4.32	.182	4.62	.460	11.68
03	.603	15.32	.581	14.76	.724	18.39	.702	17.83	.656	16.66	.230	5.84	.244	6.20	.523	13.28
04	.629	15.98	.607	15.42	.786	19.96	.764	19.41	.726	18.44	.300	7.62	.307	7.80	.585	14.86
05	.629	15.98	.607	15.42	.786	19.96	.764	19.41	.885	22.48	.360	9.14	.369	9.37	.647	16.43
06	.655	16.64	.633	16.00	.848	21.54	.826	20.98	.952	24.18	.420	10.67	.432	10.97	.710	18.03
07	.655	16.64	.633	16.00	.848	21.54	.826	20.98	1.018	25.86	.480	12.19	.494	12.55	.773	19.63
08	.707	17.96	.685	17.40	.911	23.14	.889	22.58	1.084	27.53	.550	13.97	.557	14.15	.835	21.21
09	.707	17.96	.685	17.40	.911	23.14	.889	22.58	1.148	29.16	.610	15.49	.619	15.72	.897	22.78

Dimensions in inches (millimeters) and are subject to change without notice.

Series 80 Mighty Mouse Environmental EMI Backshell Ordering Information

390MS077, 390MS076, 390MB077 and 390MA077

Compression
Nut



These backshells feature an EMI ring for easy shield termination. O-rings provide watertight seals on the cable jacket and on the backshell-to-connector interface.

MATERIALS

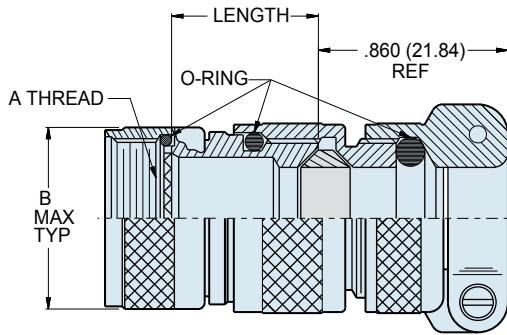
Adapter, Clamp, Nut and Saddles	Aluminum Alloy 6061-T6 or 300 Series Stainless Steel
O-Rings	Silicone Rubber
Hardware	300 Series Stainless Steel

HOW TO ORDER

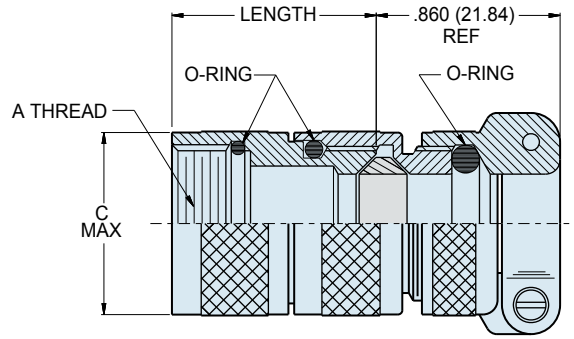
390MS077	M	07	04-	6	N																																																																																																
Part Number	Shell Material / Finish	Size Code	Cable Entry Code	Length	Clamp Style																																																																																																
<p>390MS077 Straight Entry, Rotatable Coupling</p> <p>390MS076 Straight Entry, Direct Coupling</p> <p>390MB077 45° Entry Rotatable Coupling</p> <p>390MA077 90° Entry Rotatable Coupling</p>	<p style="text-align: center;">C Aluminum / Black Anodize (Non-Conductive) RoHS Compliant</p> <p style="text-align: center;">M Aluminum / Electroless Nickel RoHS Compliant</p> <p style="text-align: center;">NF Aluminum / Cadmium with Olive Drab Chromate</p> <p style="text-align: center;">ZN Aluminum / Zinc-Nickel with Olive Drab Chromate</p> <p style="text-align: center;">ZNU Aluminum / Zinc-Nickel with Black Chromate</p> <p style="text-align: center;">MT Aluminum / Nickel-PTFE RoHS Compliant</p> <p style="text-align: center;">Z1 Stainless Steel / Passivated RoHS Compliant</p>	<table border="1"> <thead> <tr> <th>Size Code</th> <th>Thread Size</th> </tr> </thead> <tbody> <tr><td>05</td><td>.2500-32</td></tr> <tr><td>06</td><td>.3125-32</td></tr> <tr><td>11</td><td>.3750-32</td></tr> <tr><td>07</td><td>.4375-28</td></tr> <tr><td>08</td><td>.5000-28</td></tr> <tr><td>09</td><td>.5625-24</td></tr> <tr><td>10</td><td>.6250-24</td></tr> <tr><td>12</td><td>.6875-24</td></tr> <tr><td>13</td><td>.7500-20</td></tr> <tr><td>14</td><td>.9375-20</td></tr> <tr><td>17</td><td>1.1875-18</td></tr> </tbody> </table>	Size Code	Thread Size	05	.2500-32	06	.3125-32	11	.3750-32	07	.4375-28	08	.5000-28	09	.5625-24	10	.6250-24	12	.6875-24	13	.7500-20	14	.9375-20	17	1.1875-18	<table border="1"> <thead> <tr> <th rowspan="2">Cable Entry Code</th> <th colspan="2">Cable Sealing Dia.</th> </tr> <tr> <th>Max.</th> <th>Min.</th> </tr> </thead> <tbody> <tr><td>01-</td><td>.109</td><td>.031</td></tr> <tr><td>02-</td><td>.172</td><td>.078</td></tr> <tr><td>03-</td><td>.234</td><td>.140</td></tr> <tr><td>04-</td><td>.297</td><td>.203</td></tr> <tr><td>05-</td><td>.359</td><td>.265</td></tr> <tr><td>06-</td><td>.422</td><td>.328</td></tr> <tr><td>07-</td><td>.484</td><td>.390</td></tr> <tr><td>08-</td><td>.547</td><td>.453</td></tr> <tr><td>09-</td><td>.609</td><td>.515</td></tr> <tr><td>10-</td><td>.672</td><td>.578</td></tr> <tr><td>11-</td><td>.734</td><td>.640</td></tr> </tbody> </table>	Cable Entry Code	Cable Sealing Dia.		Max.	Min.	01-	.109	.031	02-	.172	.078	03-	.234	.140	04-	.297	.203	05-	.359	.265	06-	.422	.328	07-	.484	.390	08-	.547	.453	09-	.609	.515	10-	.672	.578	11-	.734	.640	<p style="text-align: center;">Straight Entry 390MS Only</p> <table border="1"> <thead> <tr> <th>Length Code</th> <th>Length (Inches)</th> </tr> </thead> <tbody> <tr><td>5</td><td>.625</td></tr> <tr><td>6</td><td>.750</td></tr> <tr><td>7</td><td>.875</td></tr> <tr><td>8</td><td>1.000</td></tr> <tr><td>9</td><td>1.125</td></tr> <tr><td>10</td><td>1.250</td></tr> <tr><td>11</td><td>1.375</td></tr> <tr><td>12</td><td>1.500</td></tr> <tr><td>13</td><td>1.625</td></tr> <tr><td>14</td><td>1.750</td></tr> <tr><td>15</td><td>1.875</td></tr> <tr><td>16</td><td>2.000</td></tr> <tr><td>17</td><td>2.125</td></tr> <tr><td>18</td><td>2.250</td></tr> <tr><td>19</td><td>2.375</td></tr> <tr><td>20</td><td>2.500</td></tr> </tbody> </table> <p style="text-align: center;">Specify length in increments of .125 inches (3.18 mm.)</p>	Length Code	Length (Inches)	5	.625	6	.750	7	.875	8	1.000	9	1.125	10	1.250	11	1.375	12	1.500	13	1.625	14	1.750	15	1.875	16	2.000	17	2.125	18	2.250	19	2.375	20	2.500	<p style="text-align: center;">Omit for screw clamp with saddle bars</p> <p style="text-align: center;">N Optional Compression Nut, Low Profile</p>
			Size Code	Thread Size																																																																																																	
			05	.2500-32																																																																																																	
			06	.3125-32																																																																																																	
			11	.3750-32																																																																																																	
			07	.4375-28																																																																																																	
			08	.5000-28																																																																																																	
			09	.5625-24																																																																																																	
			10	.6250-24																																																																																																	
			12	.6875-24																																																																																																	
13	.7500-20																																																																																																				
14	.9375-20																																																																																																				
17	1.1875-18																																																																																																				
Cable Entry Code	Cable Sealing Dia.																																																																																																				
	Max.	Min.																																																																																																			
01-	.109	.031																																																																																																			
02-	.172	.078																																																																																																			
03-	.234	.140																																																																																																			
04-	.297	.203																																																																																																			
05-	.359	.265																																																																																																			
06-	.422	.328																																																																																																			
07-	.484	.390																																																																																																			
08-	.547	.453																																																																																																			
09-	.609	.515																																																																																																			
10-	.672	.578																																																																																																			
11-	.734	.640																																																																																																			
Length Code	Length (Inches)																																																																																																				
5	.625																																																																																																				
6	.750																																																																																																				
7	.875																																																																																																				
8	1.000																																																																																																				
9	1.125																																																																																																				
10	1.250																																																																																																				
11	1.375																																																																																																				
12	1.500																																																																																																				
13	1.625																																																																																																				
14	1.750																																																																																																				
15	1.875																																																																																																				
16	2.000																																																																																																				
17	2.125																																																																																																				
18	2.250																																																																																																				
19	2.375																																																																																																				
20	2.500																																																																																																				

Dimensions in inches (millimeters) and are subject to change without notice.

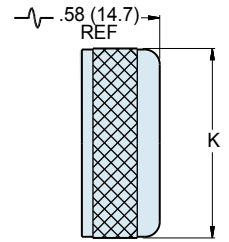
Series 80 Mighty Mouse Environmental EMI Backshell Dimensions 390MS077, 390MS076, 390MB077 and 390MA077



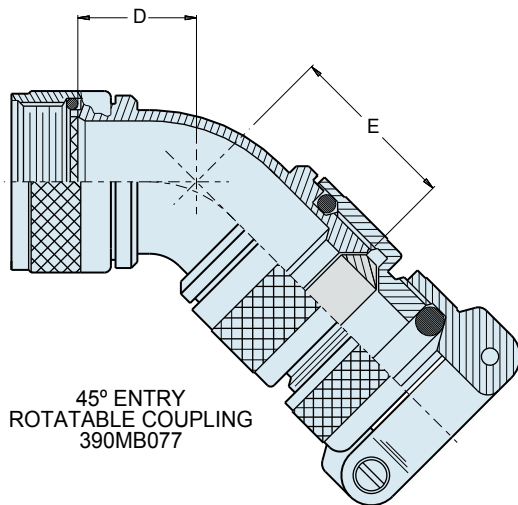
STRAIGHT ENTRY
ROTATABLE COUPLING
390MS077



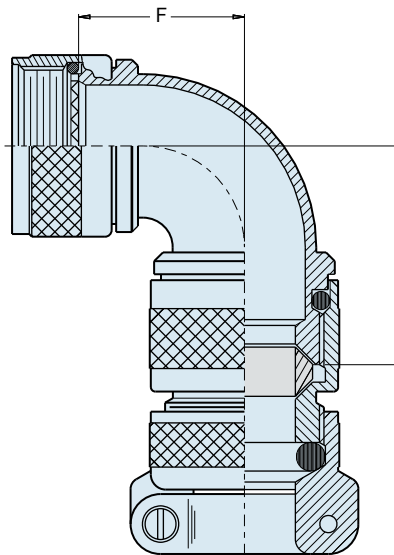
STRAIGHT ENTRY
DIRECT COUPLING
390MS076



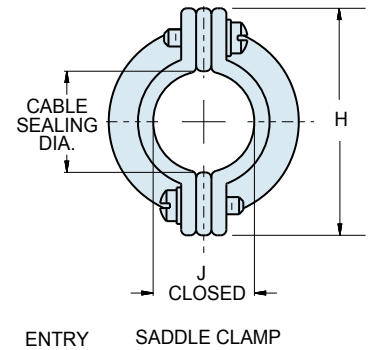
CLAMP STYLE N
COMPRESSION NUT



45° ENTRY
ROTATABLE COUPLING
390MB077



90° ENTRY
ROTATABLE COUPLING
390MA077



DIMENSIONS							
Size Code	A Thds.	B Max.		C Max.		Std. Length*	
		In.	mm.	In.	mm.	In.	mm.
05	.2500-32	.470	11.94	.350	8.89	.750	19.05
06	.3125-32	.530	13.46	.415	10.54	.750	19.05
11	.3750-32	.570	14.48	.570	14.48	.750	19.05
07	.4375-28	.637	16.18	.530	13.46	.750	19.05
08	.5000-28	.700	17.78	.595	15.11	.750	19.05
09	.5625-24	.758	19.25	.650	16.51	.750	19.05
10	.6250-24	.819	20.80	.715	18.16	.750	19.05
12	.6875-24	.896	22.76	.785	19.94	.880	22.35
13	.7500-20	.930	23.62	.930	23.62	.880	22.35
14	.9375-20	1.137	28.88	1.137	28.88	1.000	25.40
17	1.1875-18	1.387	35.23	1.387	35.23	1.130	28.70

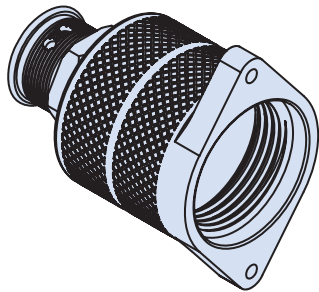
*Choose standard length for best availability

DIMENSIONS																
Cable Entry Code	Cable Sealing Dia.		D Max.		E Max.		F Max.		G Max.		H		Ø J Closed		Ø K	
	Max.	Min.	In.	mm.	In.	mm.	In.	mm.	In.	mm.	In.	mm.	In.	mm.	In.	mm.
01	.109	.031	.603	15.32	.681	17.30	.724	18.39	.802	20.37	.496	12.60	.110	2.79	.398	10.11
02	.172	.078	.603	15.32	.681	17.30	.724	18.39	.802	20.37	.582	14.78	.170	4.32	.460	11.68
03	.234	.140	.603	15.32	.681	17.30	.724	18.39	.802	20.37	.656	16.66	.230	5.84	.523	13.28
04	.297	.203	.629	15.98	.707	17.96	.786	19.96	.864	21.95	.726	18.44	.300	7.62	.585	14.86
05	.359	.265	.629	15.98	.707	17.96	.786	19.96	.864	21.95	.885	22.48	.360	9.14	.647	16.43
06	.422	.328	.655	16.64	.733	18.62	.848	21.54	.926	23.52	.952	24.18	.420	10.67	.710	18.03
07	.484	.390	.655	16.64	.733	18.62	.848	21.54	.926	23.52	1.018	25.86	.480	12.19	.773	19.63
08	.547	.453	.707	17.96	.785	19.94	.911	23.14	.989	25.12	1.084	27.53	.550	13.97	.835	21.21
09	.609	.515	.707	17.96	.785	19.94	.911	23.14	.989	25.12	1.148	29.16	.610	15.49	.897	22.78

Dimensions in inches (millimeters) and are subject to change without notice.

Series 80 Mighty Mouse Molding and Banding Backshell Adapter With Lanyard Ordering Information

809-242



Banding Adapter with integrated lanyard

BAND-IT® Strap
Microband 600-057-1



**Micro Band
Tool**
600-061



Materials

Shell	Aluminum Alloy or Stainless Steel
Band	300 Series SST
Lanyard	Stainless Steel

HOW TO ORDER

Sample Part Number

809-242

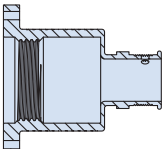
NF

- 6

- 06

- 08

K

Part Number	Shell Material/Finish	Lanyard Length	Shell Size Code	Cable Entry	Band Option																						
 809-242 Straight Entry	C Aluminum / Black Anodize (Non-Conductive) RoHS Compliant	Length in Inches, based on a 3/8 inch diameter mandrel	<table border="1"> <thead> <tr> <th>Size Code</th> <th>Thread Size</th> </tr> </thead> <tbody> <tr> <td>06</td> <td>.3125-32</td> </tr> <tr> <td>08</td> <td>.5000-28</td> </tr> <tr> <td>09</td> <td>.5625-24</td> </tr> <tr> <td>10</td> <td>.6250-24</td> </tr> </tbody> </table>	Size Code	Thread Size	06	.3125-32	08	.5000-28	09	.5625-24	10	.6250-24	<table border="1"> <thead> <tr> <th>Cable Entry Code</th> <th>Cable Entry Dia. (In.)</th> </tr> </thead> <tbody> <tr> <td>06</td> <td>.237</td> </tr> <tr> <td>07</td> <td>.325</td> </tr> <tr> <td>08</td> <td>.389</td> </tr> <tr> <td>09</td> <td>.445</td> </tr> <tr> <td>10</td> <td>.514</td> </tr> </tbody> </table>	Cable Entry Code	Cable Entry Dia. (In.)	06	.237	07	.325	08	.389	09	.445	10	.514	Omit for no band supplied K Adapter is supplied with BAND-IT® shield termination band, pre-coiled
	Size Code		Thread Size																								
	06		.3125-32																								
	08		.5000-28																								
	09		.5625-24																								
	10		.6250-24																								
	Cable Entry Code		Cable Entry Dia. (In.)																								
	06		.237																								
	07		.325																								
	08		.389																								
09	.445																										
10	.514																										
M Aluminum / Electroless Nickel RoHS Compliant																											
NF Aluminum / Cadmium with Olive Drab Chromate																											
ZN Aluminum / Zinc-Nickel with Olive Drab Chromate																											
ZNU Aluminum / Zinc-Nickel with Black Chromate																											
MT Aluminum / Nickel-PTFE RoHS Compliant																											
Z1 Stainless Steel / Passivated RoHS Compliant																											

Dimensions in inches (millimeters) and are subject to change without notice.

© 2011 Glenair, Inc.

CAGE Code 06324

Printed in U.S.A.

GLEN AIR, INC. • 1211 AIR WAY • GLENDALE, CA 91201-2497 • 818-247-6000 • FAX 818-500-9912

www.glenair.com

L-26

E-Mail: sales@glenair.com

17-JULY-2011

**Series 80 Mighty Mouse
Molding and Banding Backshell Adapter
With Lanyard Dimensions
809-242**

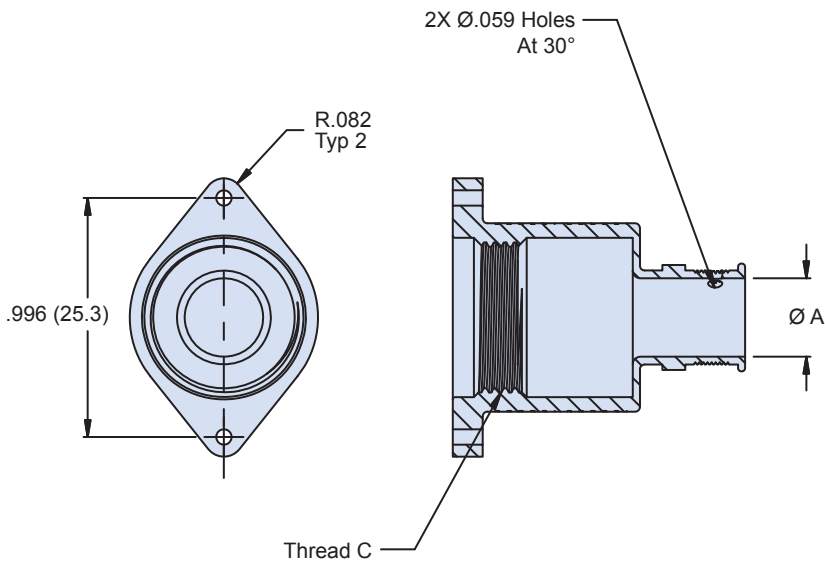
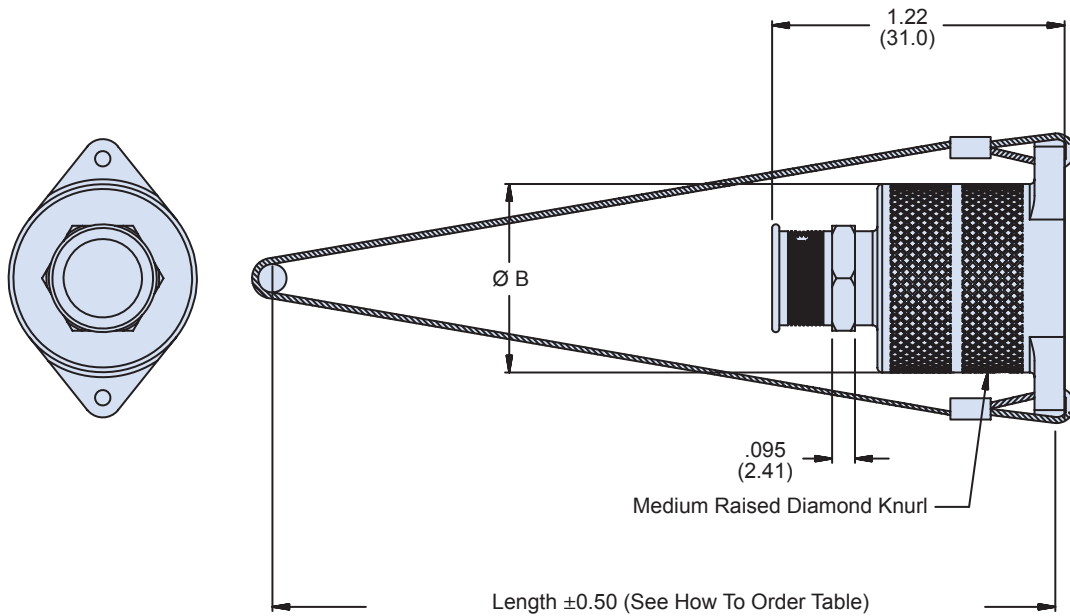


Table I: Shell Size

Shell Size	Ø B	Thread C
06	.480 (12.2)	.3125-32 UNEF-2B
08	.600 (15.2)	.5000-28 UNEF-2B
09	.700 (17.8)	.5625-24 UNEF-2B
10	.790 (20.1)	.6250-24 UNEF-2B

Table II: Cable Entry

Cable Entry Code	Ø A
06	.237 (6.02)
07	.325 (8.30)
08	.389 (9.90)
09	.445 (11.3)
10	.514 (13.1)

Dimensions in inches (millimeters) and are subject to change without notice.

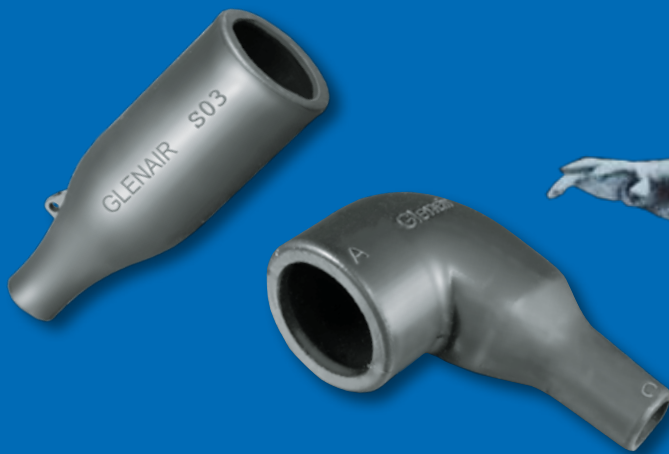
SERIES 77

FULL NELSON

Heat Shrink Boots

Outstanding Environmental and Mechanical Protection

*“Think he’ll ever break that hold?
Nope. He’s got him in a Full Nelson!”*



Nothing conjures up the image of an unbreakable hold like a Standing Full Nelson. Properly applied, this classic Greco-Roman wrestling move is simply unbeatable. We'd like to think the same holds true for our Series 77 Full Nelson Environmental Shrink Boots. Properly applied, Series 77 boots provide a dependable, leak-proof seal for interconnect cable assemblies. Optional adhesive coatings on the inside of the boot provide a watertight, high-

strength bond to the cable jacket and the connector or adapter. And the Glenair shape-memory boot material formula works every time. So if you're worried about sealing effectiveness, if you want long lasting environmental protection, if you want an ingress prevention solution that won't lose its grip after years of dutiful service, get a Series 77 Full Nelson—the environmental shrink boot with the iron grip of a championship wrestler.



249-003-800-05B..... L-10	249-003-804-14C L-10	600-137-12 A-14	600-147-5 A-14
249-003-800-05C L-10	249-003-804-15B..... L-10	600-137-14 A-14	600-147-6 A-14
249-003-800-06B..... L-10	249-003-804-15C L-10	600-137-15 A-14	600-147-7 A-14
249-003-800-06C L-10	249-003-805-08B.....L-11	600-140-5 A-14	600-147-7 A-14
249-003-800-07B..... L-10	249-003-805-08CL-11	600-140-6 A-14	600-147-9 A-14
249-003-800-07C L-10	249-003-805-09B.....L-11	600-140-7 A-14	600-147-10 A-14
249-003-800-08B..... L-10	249-003-805-09CL-11	600-140-8 A-14	600-147-12 A-14
249-003-800-08C L-10	249-003-805-10B.....L-11	600-140-9 A-14	600-147-14 A-14
249-003-800-09B..... L-10	249-003-805-10CL-11	600-140-10 A-14	600-147-15 A-14
249-003-800-09C L-10	249-003-805-11B.....L-11	600-140-12 A-14	600-154-08 A-14
249-003-800-10B..... L-10	249-003-805-11C.....L-11	600-140-14 A-14	600-154-09 A-14
249-003-800-10C L-10	249-003-805-12B.....L-11	600-140-15 A-14	600-154-09 A-14
249-003-800-12B..... L-10	249-003-805-12CL-11	600-141-5 A-14	600-154-11 A-14
249-003-800-12C L-10	249-003-805-15B.....L-11	600-141-6 A-14	600-154-12 A-14
249-003-801-05B..... L-10	249-003-805-15CL-11	600-141-7 A-14	600-154-15 A-14
249-003-801-05C L-10	249-003-805-18B.....L-11	600-141-8 A-14	600-154-18 A-14
249-003-801-06B..... L-10	249-003-805-18CL-11	600-141-9 A-14	600-154-19 A-14
249-003-801-06C L-10	249-003-805-19B.....L-11	600-141-10 A-14	600-154-19 A-14
249-003-801-07B..... L-10	249-003-805-19CL-11	600-141-12 A-14	600-154-23 A-14
249-003-801-07C L-10	249-003-805-23B.....L-11	600-141-14 A-14	600-155-8 A-14
249-003-801-08B..... L-10	249-003-805-23CL-11	600-141-15 A-14	600-155-9 A-14
249-003-801-08C L-10	340MS026 L-12	600-146-01 A-14	600-155-10 A-14
249-003-801-09B..... L-10	370MA038 L-20	600-146-02 A-14	600-155-11 A-14
249-003-801-09C L-10	370MB038 L-20	600-146-02 A-14	600-155-12 A-14
249-003-801-10B..... L-10	370MS037 L-20	600-146-03 A-14	600-155-15 A-14
249-003-801-10C L-10	370MS038 L-20	600-146-03 A-14	600-155-18 A-14
249-003-801-13B..... L-10	380MA137 L-22	600-146-03 A-14	600-155-19 A-14
249-003-801-13C L-10	380MB137 L-22	600-146-04 A-14	600-155-23 A-14
249-003-801-16B..... L-10	380MS135 L-22	600-146-04 A-14	600M005-05 A-14
249-003-801-16C L-10	380MS137 L-22	600-146-05 A-14	600M005-06 A-14
249-003-801-17B..... L-10	390MA077 L-24	600-146-05 A-14	600M005-07 A-14
249-003-801-17C L-10	390MB077 L-24	600-146-05 A-14	600M005-08 A-14
249-003-801-21B..... L-10	390MS076 L-24	600-146-06 A-14	600M005-09 A-14
249-003-801-21C L-10	390MS077 L-24	600-146-06 A-14	600M005-10 A-14
249-003-804-05B..... L-10	440MK135 L-16	600-146-06 A-14	600M005-12 A-14
249-003-804-05C L-10	440ML135..... L-16	600-146-06 A-14	600MM005-05 A-14
249-003-804-06B..... L-10	440MS134 L-18	600-146-06 A-14	600MM005-06 A-14
249-003-804-06C L-10	440MS135 L-16	600-146-07 A-14	600MM005-07 A-14
249-003-804-07B..... L-10	600-057 A-13	600-146-07 A-14	600MM005-08 A-14
249-003-804-07C L-10	600-057-1 A-13	600-146-08 A-14	600MM005-09 A-14
249-003-804-08B..... L-10	600-061 A-13	600-146-08 A-14	600MM005-10 A-14
249-003-804-08C L-10	600-083 A-13	600-146-08 A-14	600MM005-13 A-14
249-003-804-09B..... L-10	600-083-1 A-13	600-146-10 A-14	600MM005-16 A-14
249-003-804-09C L-10	600-137-05 A-14	600-146-10 A-14	600MM005-17 A-14
249-003-804-10B..... L-10	600-137-06 A-14	600-146-11 A-14	600MM005-21 A-14
249-003-804-10C L-10	600-137-07 A-14	600-146-12 A-14	620MS064 L-14
249-003-804-12B..... L-10	600-137-08 A-14	600-146-13 A-14	620MS065 L-14
249-003-804-12C L-10	600-137-09 A-14	600-146-13 A-14	660-082 F-19
249-003-804-14B..... L-10	600-137-10 A-14	600-146-14 A-14	660-083 F-19
		600-146-17 A-14	660-087 E-23

Dimensions in inches (millimeters) and are subject to change without notice.

660-088	E-23	800-007	C-5	803-003	F-7	809-015	A-2
667-184	C-25	800-008	C-5	803-004	F-7	809-015	A-10
667-185	C-25	800-009	C-5	803-005	F-11	809-035M01W	L-6
667-202	G-25	800-010	C-7	803-006	F-13	809-035M02W	L-6
667-217	D-27	800-011	C-7	803-007	K-4	809-035M03W	L-6
667-218	D-27	800-012	C-11	803-009	F-16	809-035M04W	L-6
667-261	H-25	800-013	C-18	803-011	K-12	809-035M05W	L-6
667-262	H-25	800-032	C-14	803-012	K-14	809-035M06W	L-6
667-282M05	G-33	800-034	C-21	803-013	F-17	809-035M07W	L-6
667-282M06	G-33	800-035	K-4	803-014	F-17	809-035M08W	L-6
667-282M07	G-33	800-036	K-12	803-015	F-11	809-035M09W	L-6
667-282M08	G-33	800-037	K-14	803-016	F-16	809-035M10W	L-6
667-282M08	G-33	800-038	C-22	804-001	G-5	809-035M11W	L-6
667-282M10	G-33	800-039	C-23	804-002	G-5	809-035M12W	L-6
667-282M12	G-33	800-040	C-11	804-003	G-7	809-035M13W	L-6
667-282M14	G-33	800-041	C-22	804-004	G-7	809-035M14W	L-6
667-282MT05	G-33	801-007	D-6	804-005	G-11	809-035M15W	L-6
667-282MT06	G-33	801-008	D-6	804-006	G-18	809-035M16W	L-6
667-282MT07	G-33	801-009	D-8	804-009	G-14	809-035M17W	L-6
667-282MT08	G-33	801-010	D-8	804-013	K-4	809-035M18W	L-6
667-282MT09	G-33	801-011	D-12	804-015	G-22	809-035M19W	L-6
667-282MT10	G-33	801-012	D-17	804-016	K-12	809-035M20W	L-6
667-282MT12	G-33	801-017	D-21	804-017	K-14	809-035M21W	L-6
667-282MT14	G-33	801-023	D-14	804-018	G-23	809-035MT01W	L-6
667-282NF05	G-33	801-024	K-4	804-019	G-23	809-035MT02W	L-6
667-282NF06	G-33	801-026	D-24	804-020	G-11	809-035MT03W	L-6
667-282NF07	G-33	801-028	K-12	804-021	G-14	809-035MT04W	L-6
667-282NF08	G-33	801-029	K-14	804-022	G-22	809-035MT05W	L-6
667-282NF09	G-33	801-031	D-25	805-001	H-6	809-035MT06W	L-6
667-282NF10	G-33	801-032	D-25	805-002	H-6	809-035MT07W	L-6
667-282NF12	G-33	801-033	D-12	805-003	H-8	809-035MT08W	L-6
667-282NF14	G-33	801-034	D-24	805-004	H-8	809-035MT09W	L-6
667-282Z105	G-33	802-008	E-4	805-005	H-12	809-035MT10W	L-6
667-282Z106	G-33	802-009	E-4	805-006	H-15	809-035MT11W	L-6
667-282Z107	G-33	802-010	E-6	805-007	K-4	809-035MT12W	L-6
667-282Z108	G-33	802-011	E-6	805-009	H-22	809-035MT13W	L-6
667-282Z109	G-33	802-012	E-10	805-010	H-19	809-035MT14W	L-6
667-282Z110	G-33	802-013	E-14	805-012	K-12	809-035MT15W	L-6
667-282Z112	G-33	802-019	E-20	805-013	K-14	809-035MT16W	L-6
667-282Z114	G-33	802-022	E-20	805-015	H-23	809-035MT17W	L-6
667-282ZNU05	G-33	802-022	E-20	805-016	H-23	809-035MT18W	L-6
667-282ZNU06	G-33	802-026	E-21	805-017	H-12	809-035MT19W	L-6
667-282ZNU07	G-33	802-027	E-21	805-018	H-22	809-035MT20W	L-6
667-282ZNU08	G-33	802-028	E-21	809-001	A-2	809-035MT21W	L-6
667-282ZNU09	G-33	802-029	E-21	809-001	A-3	809-035NF01W	L-6
667-282ZNU10	G-33	802-030	E-10	809-002	A-2	809-035NF02W	L-6
667-282ZNU12	G-33	802-032	E-20	809-002	A-3	809-035NF03W	L-6
667-282ZNU14	G-33	803-001	F-5	809-005	A-10	809-035NF04W	L-6
800-006	C-5	803-002	F-5	809-013	A-12	809-035NF05W	L-6

Dimensions in inches (millimeters) and are subject to change without notice.

CAGE Code 06324

Printed in U.S.A.

© 2010 Glenair, Inc.

GLENAIR, INC. • 1211 AIR WAY • GLENDALE, CA 91201-2497 • 818-247-6000 • FAX 818-500-9912

www.glenair.com

INDEX-2

E-Mail: sales@glenair.com

01-JANUARY-2010

809-035NF06W L-6	809-035ZC13W L-6	809-054-16F L-10	809-093 A-5
809-035NF07W L-6	809-035ZC14W L-6	809-054-17E L-10	809-107-1 A-12
809-035NF08W L-6	809-035ZC15W L-6	809-054-17F L-10	809-107-2 A-12
809-035NF09W L-6	809-035ZC16W L-6	809-054-21E L-10	809-107-3 A-12
809-035NF10W L-6	809-035ZC17W L-6	809-054-21F L-10	809-107-4 A-12
809-035NF11W L-6	809-035ZC18W L-6	809-055-05E L-10	809-108F01 L-7
809-035NF12W L-6	809-035ZC19W L-6	809-055-05F L-10	809-108F02 L-7
809-035NF13W L-6	809-035ZC20W L-6	809-055-06E L-10	809-108F03 L-7
809-035NF14W L-6	809-035ZC21W L-6	809-055-06F L-10	809-108F04 L-7
809-035NF15W L-6	809-035ZNU01W L-6	809-055-07E L-10	809-108F05 L-7
809-035NF16W L-6	809-035ZNU02W L-6	809-055-07F L-10	809-108F06 L-7
809-035NF17W L-6	809-035ZNU03W L-6	809-055-08E L-10	809-108F07 L-7
809-035NF18W L-6	809-035ZNU04W L-6	809-055-08F L-10	809-108F11 L-7
809-035NF19W L-6	809-035ZNU05W L-6	809-055-09E L-10	809-108F12 L-7
809-035NF20W L-6	809-035ZNU06W L-6	809-055-09F L-10	809-108F13 L-7
809-035NF21W L-6	809-035ZNU07W L-6	809-055-10E L-10	809-108F14 L-7
809-035Z101W L-6	809-035ZNU08W L-6	809-055-10F L-10	809-108F15 L-7
809-035Z102W L-6	809-035ZNU09W L-6	809-055-12E L-10	809-108F16 L-7
809-035Z103W L-6	809-035ZNU10W L-6	809-055-12F L-10	809-108F17 L-7
809-035Z104W L-6	809-035ZNU11W L-6	809-055-14E L-10	809-108F18 L-7
809-035Z105W L-6	809-035ZNU12W L-6	809-055-14F L-10	809-108F19 L-7
809-035Z106W L-6	809-035ZNU13W L-6	809-055-15E L-10	809-108F20 L-9
809-035Z107W L-6	809-035ZNU14W L-6	809-055-15F L-10	809-108F21 L-9
809-035Z108W L-6	809-035ZNU15W L-6	809-057 A-10	809-108F22 L-9
809-035Z109W L-6	809-035ZNU16W L-6	809-065A A-2	809-108F23 L-9
809-035Z110W L-6	809-035ZNU17W L-6	809-065A A-3	809-108F24 L-9
809-035Z111W L-6	809-035ZNU18W L-6	809-065C A-2	809-108F25 L-9
809-035Z112W L-6	809-035ZNU19W L-6	809-065C A-3	809-108F26 L-9
809-035Z113W L-6	809-035ZNU20W L-6	809-066A A-2	809-108F27 L-9
809-035Z114W L-6	809-035ZNU21W L-6	809-066A A-3	809-108F28 L-9
809-035Z115W L-6	809-042 A-2	809-066C A-2	809-108F31 L-8
809-035Z116W L-6	809-042 A-3	809-066C A-3	809-108F32 L-8
809-035Z117W L-6	809-043 A-2	809-067-05E L-10	809-108F33 L-8
809-035Z118W L-6	809-043 A-3	809-067-05F L-10	809-108F34 L-8
809-035Z119W L-6	809-054-05E L-10	809-067-06E L-10	809-108F35 L-8
809-035Z120W L-6	809-054-05F L-10	809-067-06F L-10	809-108F36 L-8
809-035Z121W L-6	809-054-06E L-10	809-067-07E L-10	809-108F37 L-8
809-035ZC01W L-6	809-054-06F L-10	809-067-07F L-10	809-108F38 L-8
809-035ZC02W L-6	809-054-07E L-10	809-067-08E L-10	809-108F39 L-8
809-035ZC03W L-6	809-054-07F L-10	809-067-08F L-10	809-108F43 L-7
809-035ZC04W L-6	809-054-08E L-10	809-067-09E L-10	809-108F51 L-8
809-035ZC05W L-6	809-054-08F L-10	809-067-09F L-10	809-108F52 L-8
809-035ZC06W L-6	809-054-09E L-10	809-067-10E L-10	809-108F53 L-8
809-035ZC07W L-6	809-054-09F L-10	809-067-10F L-10	809-108F54 L-8
809-035ZC08W L-6	809-054-10E L-10	809-067-12E L-10	809-108F55 L-8
809-035ZC09W L-6	809-054-10F L-10	809-067-12F L-10	809-108F56 L-8
809-035ZC10W L-6	809-054-13E L-10	809-083 G-30	809-108F57 L-8
809-035ZC11W L-6	809-054-13F L-10	809-087 G-30	809-108F58 L-8
809-035ZC12W L-6	809-054-16E L-10	809-088 A-12	809-108F59 L-8

Dimensions in inches (millimeters) and are subject to change without notice.

809-108F60.....	L-8	809-108V54.....	L-8	809-117.....	A-7	809-165-21.....	L-11
809-108N51.....	L-8	809-108V55.....	L-8	809-118.....	A-7	809-190.....	D-30
809-108N52.....	L-8	809-108V56.....	L-8	809-119.....	A-7	809-191.....	D-30
809-108N53.....	L-8	809-108V57.....	L-8	809-120.....	A-7	809-203.....	A-12
809-108N54.....	L-8	809-108V58.....	L-8	809-121.....	A-7	809-204.....	A-5
809-108N55.....	L-8	809-108V59.....	L-8	809-124.....	A-10	809-205.....	A-5
809-108N56.....	L-8	809-108V60.....	L-8	809-125.....	A-10	809-206.....	A-10
809-108N57.....	L-8	809-108X01.....	L-7	809-126.....	A-11	809-207.....	A-12
809-108N58.....	L-8	809-108X02.....	L-7	809-127.....	A-11	809A060-1.....	L-4
809-108N59.....	L-8	809-108X03.....	L-7	809-128.....	A-2	809A060-1H.....	L-4
809-108N60.....	L-8	809-108X04.....	L-7	809-128.....	A-10	809A060-2.....	L-4
809-108V01.....	L-7	809-108X05.....	L-7	809-129.....	A-11	809A060-2H.....	L-4
809-108V02.....	L-7	809-108X06.....	L-7	809-130.....	A-11	809A060-3.....	L-4
809-108V03.....	L-7	809-108X07.....	L-7	809-131.....	A-12	809A060-3H.....	L-4
809-108V04.....	L-7	809-108X11.....	L-7	809-132.....	A-12	809A060-4.....	L-4
809-108V05.....	L-7	809-108X12.....	L-7	809-133.....	A-11	809A060-4H.....	L-4
809-108V06.....	L-7	809-108X13.....	L-7	809-134.....	A-11	809A060-5.....	L-4
809-108V07.....	L-7	809-108X14.....	L-7	809-135.....	A-10	809A060-5H.....	L-4
809-108V11.....	L-7	809-108X15.....	L-7	809-136.....	A-11	809A060-6.....	L-4
809-108V12.....	L-7	809-108X16.....	L-7	809-137.....	A-11	809A060-6H.....	L-4
809-108V13.....	L-7	809-108X17.....	L-7	809-138.....	A-11	809S060-1.....	L-4
809-108V14.....	L-7	809-108X18.....	L-7	809-150-08E.....	L-11	809S060-1H.....	L-4
809-108V15.....	L-7	809-108X19.....	L-7	809-150-08F.....	L-11	809S060-2.....	L-4
809-108V16.....	L-7	809-108X20.....	L-9	809-150-09E.....	L-11	809S060-2H.....	L-4
809-108V17.....	L-7	809-108X21.....	L-9	809-150-09F.....	L-11	809S060-3.....	L-4
809-108V18.....	L-7	809-108X22.....	L-9	809-150-10E.....	L-11	809S060-3H.....	L-4
809-108V19.....	L-7	809-108X23.....	L-9	809-150-10F.....	L-11	809S060-4.....	L-4
809-108V20.....	L-9	809-108X24.....	L-9	809-150-11E.....	L-11	809S060-4H.....	L-4
809-108V21.....	L-9	809-108X25.....	L-9	809-150-11F.....	L-11	809S060-5.....	L-4
809-108V22.....	L-9	809-108X26.....	L-9	809-150-12E.....	L-11	809S060-5H.....	L-4
809-108V23.....	L-9	809-108X27.....	L-9	809-150-12F.....	L-11	809S060-6.....	L-4
809-108V24.....	L-9	809-108X28.....	L-9	809-150-15E.....	L-11	809S060-6H.....	L-4
809-108V25.....	L-9	809-108X31.....	L-8	809-150-15F.....	L-11	850-002-20-363.....	A-6
809-108V26.....	L-9	809-108X32.....	L-8	809-150-18E.....	L-11	850-003-20-357.....	A-6
809-108V27.....	L-9	809-108X33.....	L-8	809-150-18F.....	L-11	852-015-01.....	A-8
809-108V28.....	L-9	809-108X34.....	L-8	809-150-19E.....	L-11	852-015-02.....	A-8
809-108V31.....	L-8	809-108X35.....	L-8	809-150-19F.....	L-11	852-015-03.....	A-8
809-108V32.....	L-8	809-108X36.....	L-8	809-150-23E.....	L-11	852-016-01.....	A-8
809-108V33.....	L-8	809-108X37.....	L-8	809-150-23F.....	L-11	852-016-02.....	A-8
809-108V34.....	L-8	809-108X38.....	L-8	809-155.....	A-9	852-016-03.....	A-8
809-108V35.....	L-8	809-108X39.....	L-8	809-165-05.....	L-11	852-017.....	A-8
809-108V36.....	L-8	809-108X43.....	L-7	809-165-06.....	L-11	852-018.....	A-8
809-108V37.....	L-8	809-110.....	A-6	809-165-07.....	L-11	857-010.....	A-9
809-108V38.....	L-8	809-111.....	A-6	809-165-08.....	L-11	857-011.....	A-9
809-108V39.....	L-8	809-112.....	A-6	809-165-09.....	L-11	859-006.....	A-10
809-108V43.....	L-7	809-113.....	A-6	809-165-10.....	L-11	859-012.....	A-9
809-108V51.....	L-8	809-114.....	A-7	809-165-12.....	L-11	859-013.....	A-9
809-108V52.....	L-8	809-115.....	A-7	809-165-14.....	L-11	859-014.....	A-9
809-108V53.....	L-8	809-116.....	A-7	809-165-15.....	L-11		

Dimensions in inches (millimeters) and are subject to change without notice.

CAGE Code 06324

Printed in U.S.A.

© 2010 Glenair, Inc.

GLENAIR, INC. • 1211 AIR WAY • GLENDALE, CA 91201-2497 • 818-247-6000 • FAX 818-500-9912

www.glenair.com

INDEX-4

E-Mail: sales@glenair.com

01-JANUARY-2010

WHY CHOOSE GLENAIR?



Plenty of Raw Materials!



Outstanding
Customer Service!



Abundant Machining Capacity!

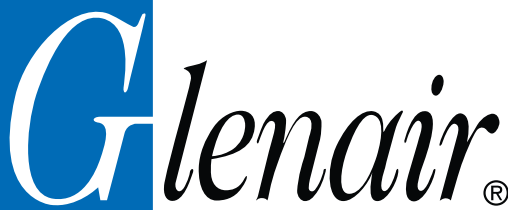


In-House Assembly!



Huge "Same-Day" Inventory!

Glenair®



A World of Interconnect Solutions

Glenair, Inc.

1211 Air Way • Glendale, California • 91201-2497
Telephone: 818-247-6000 • Fax: 818-500-9912 • sales@glenair.com
www.glenair.com

**Glenair Power
Products Group**
25 Village Lane
Wallingford, CT
06492

Telephone:
203-741-1115
Facsimile:
203-741-0053
sales@glenair.com

Glenair UK Ltd
40 Lower Oakham Way
Oakham Business Park
P.O. Box 37, Mansfield
Notts, NG18 5BY England

Telephone:
44-1623-638100
Facsimile:
44-1623-638111
sales@glenair.co.uk

Glenair Microway Systems
7000 North Lawndale Avenue
Lincolnwood, IL
60712

Telephone:
847-679-8833
Facsimile:
847-679-8849

Glenair Nordic AB
Gustav III : S Boulevard 46
S - 169 27 Solna
Sweden

Telephone:
46-8-50550000
Facsimile:
46-8-50550001
sales@glenair.se

Glenair Electric GmbH
Siemensstrasse 9
D-61449 Steinbach
Germany

Telephone:
49-6171-5905-0
Facsimile:
49-6171-5905-90
germany@glenair.com

Glenair Iberica
C/ La Vega, 16
45612 Velada
Spain

Telephone:
34-925-89-29-88
Facsimile:
34-925-89-29-87
sales@glenair.es

Glenair Italia S.R.L.
Via Santi, 1
20037 Paderno Dugnano
Milano, Italy

Telephone:
39-02-9108-2121
Facsimile:
39-02-9904-3565
sales-italia@glenair.it

Glenair France SARL
7, Avenue Parmentier
Immeuble Central Parc #2
31200 Toulouse
France

Telephone:
33-5-34-40-97-40
Facsimile:
33-5-61-47-86-10
sales@glenair.fr

