

THIS DRAWING IS UNPUBLISHED.

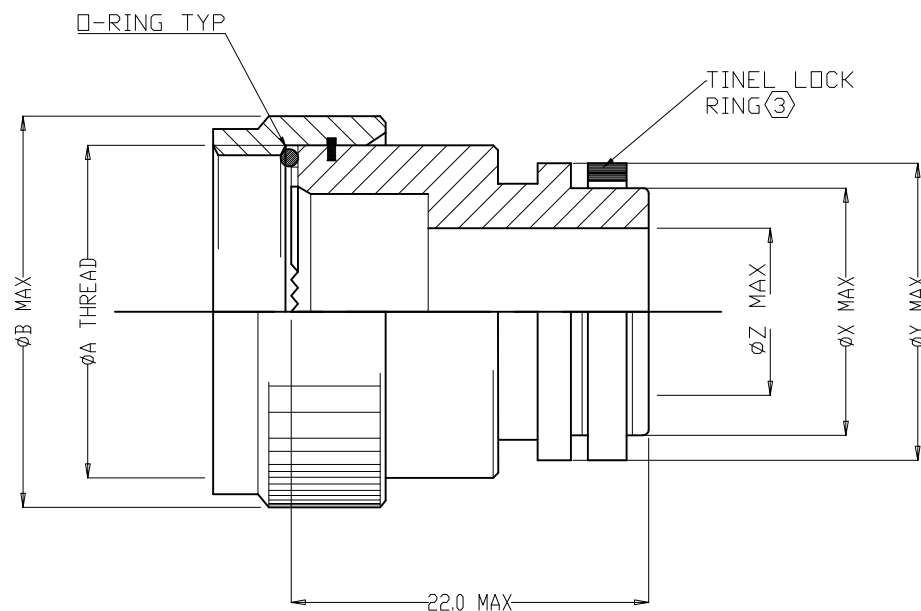
RELEASED FOR PUBLICATION

REVISIONS

© COPYRIGHT - TE Connectivity

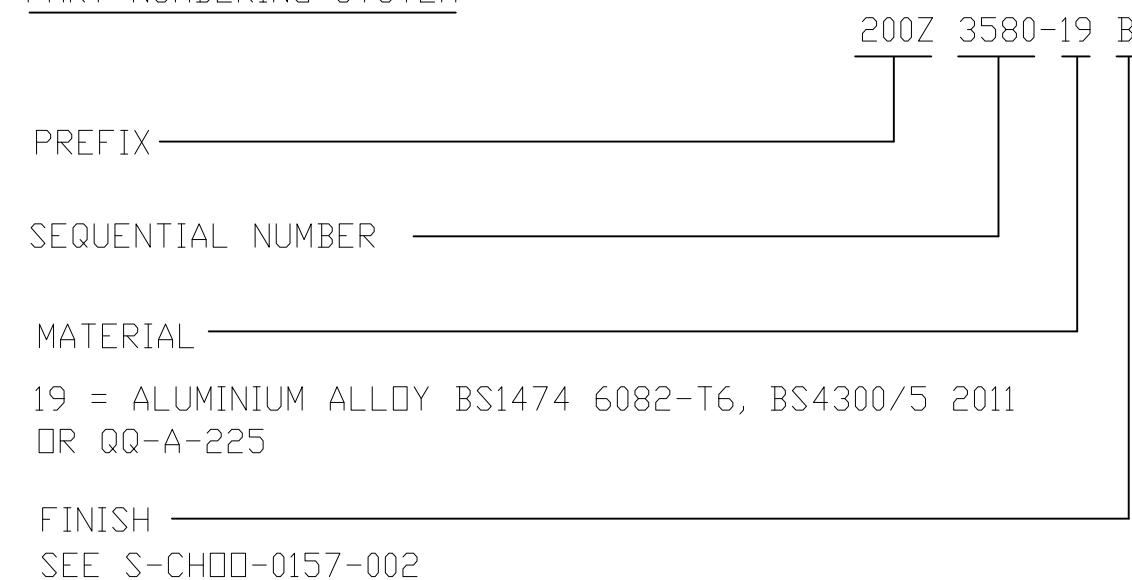
ALL RIGHTS RESERVED.

P	LTR	DESCRIPTION	DATE	DWN	APVD
	A	RELEASED	7-20-17	CT	EH



ORDER NUMBER	TINEL ENTRY SIZE	ØA THREAD RH CLASS 2B	ØB MAX	ØX	ØY +0.25 -0.25	ØZ +0.25 -0.50
08	03	0.4375"-28 UNEF	15.5	7.42-7.49	10.50	4.75
10	03	0.5625"-24 UNEF	18.5			
12	03	0.6875"-24 UNEF	22.0			

PART NUMBERING SYSTEM



1. THIS PRODUCT IS DESIGNED TO TERMINATE A BRAIDED CABLE SHIELD AND A HEAT SHRINKABLE LIPPED BOOT TO A CONNECTOR.
2. FOR ALTERNATIVE MATERIALS OR FINISHES CONTACT TYCO ELECTRONICS
- ③ SEE DRAWING "TR" FOR DETAILS ON TINEL-LOCK RING. RINGS ARE DESIGNED TO BE HEATED ELECTRICALLY. ALL RINGS ARE MARKED WITH THERMOCHROMIC PAINT WHICH CHANGES COLOR WHEN INSTALLATION TEMPERATURE IS REACHED.
4. ADAPTOR TO BE BAGGED AND LABELED WITH CODE IDENTIFICATION NUMBER AND PART NUMBER (e.g 06090-200Z3580).
5. ADAPTOR MATESTO BENDIX. SJT COMMERCIAL SERIES CONNECTORS.

THIS DRAWING IS A CONTROLLED DOCUMENT.		DWN C.C.THOMAS 20JUL2017	TE Connectivity														
DIMENSIONS: INCHES		CHK E.HALEY 7-20-17															
TOLERANCES UNLESS OTHERWISE SPECIFIED:		APVD E.HALEY 7-20-17	NAME ADAPTER ASSY, STRAIGHT														
<table border="0"> <tr> <td>0 PLC</td> <td>± -</td> </tr> <tr> <td>1 PLC</td> <td>± -</td> </tr> <tr> <td>2 PLC</td> <td>± 0.2</td> </tr> <tr> <td>3 PLC</td> <td>± 0.13</td> </tr> <tr> <td>4 PLC</td> <td>± -</td> </tr> <tr> <td>ANGLES</td> <td>± -</td> </tr> </table>		0 PLC	± -	1 PLC	± -	2 PLC	± 0.2	3 PLC	± 0.13	4 PLC	± -	ANGLES	± -	PRODUCT SPEC -	-		
0 PLC	± -																
1 PLC	± -																
2 PLC	± 0.2																
3 PLC	± 0.13																
4 PLC	± -																
ANGLES	± -																
MATERIAL		APPLICATION SPEC -	SIZE A3	CAGE CODE 06090	DRAWING NO C-200Z3580T03600	RESTRICTED TO -											
FINISH		WEIGHT 0	CUSTOMER DRAWING		SCALE NTS	SHEET 1 OF 1											
				REV A													