

**PRE-WIRED CAP FOR EXACT8, 10XM8, 3 POLE**

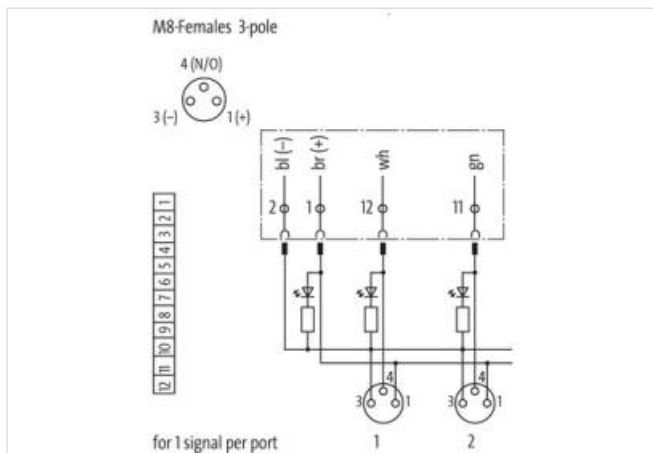
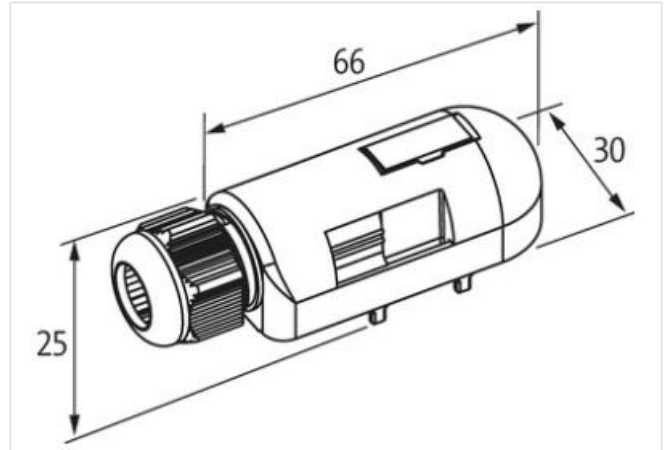
5.0m PUR/PVC 10x0,34+2x0,75

PUR/PVC

5.0 m

[Link to Product](#)

**Illustration**



Product may differ from Image



**Technical Data**

Housing	Plastic, flame retardant
Total current	max. 8 A

**General data**

Temperature range	-20...+80 °C, depending on cable quality
-------------------	--

**Cables**

No./diameter of wires	10 × 0.34 + 2 × 0.75 mm <sup>2</sup>
Wire isolation	PVC (br, bl, wh, gn, pk, ye, bk, gr, rd, vi, grp, rdbl)

The information in this brochure has been compiled with the utmost care.

Liability for the correctness completeness and topicality of the information is restricted to gross negligence. Version: 2023-02-22

C-track properties	2 Mio.
Outer Ø	8.3 mm ±5%
Cable number	385
Color (jacket)	gray
Jacket Color	gray
Temperature range (fixed)	-30...+80 °C
Temperature range (mobile)	-5...+60 °C
Bend radius (fixed)	5× outer Ø
Bend radius (moving)	10× outer Ø
Material (jacket)	PUR/PVC
<hr/>	
Product article number of manufacturer	8000-80049-3850500